



US00D519188S

(12) **United States Design Patent**
Hay

(10) **Patent No.:** **US D519,188 S**

(45) **Date of Patent:** **** Apr. 18, 2006**

(54) **VALVE UNIT**

(75) **Inventor:** **Christopher James Mccaughan Hay,**
Hong Kong (HK)

(73) **Assignee:** **Hayco Manufacturing Limited,**
Causeway Bay (HK)

(**) **Term:** **14 Years**

(21) **Appl. No.:** **29/209,165**

(22) **Filed:** **Jul. 13, 2004**

(51) **LOC (8) Cl.** **23-01**

(52) **U.S. Cl.** **D23/233**

(58) **Field of Classification Search** D23/233-237,
D23/244-249, 250, 254; 251/38, 40, 84,
251/120, 243, 236-238, 285, 218, 215-216,
251/144-145, 148, 61.4; 137/549, 556, 315.08,
137/390, 360, 413-414

See application file for complete search history.

(56) **References Cited**

U.S. PATENT DOCUMENTS

D359,106 S * 6/1995 Vestergaard D23/233

D428,113 S * 7/2000 Russo D23/233
D428,114 S * 7/2000 Le Bars D23/233
D473,931 S * 4/2003 Lai D23/245

* cited by examiner

Primary Examiner—Caron D. Veynar

Assistant Examiner—Maurice Stevens

(74) *Attorney, Agent, or Firm*—Buchanan Ingersoll PC

(57) **CLAIM**

The ornamental design for a valve unit, as shown and described.

DESCRIPTION

FIG. 1 is a perspective view showing a “valve unit” incorporating the design;

FIG. 2 is a top view thereof;

FIG. 3 is a bottom view thereof;

FIG. 4 is a side view thereof;

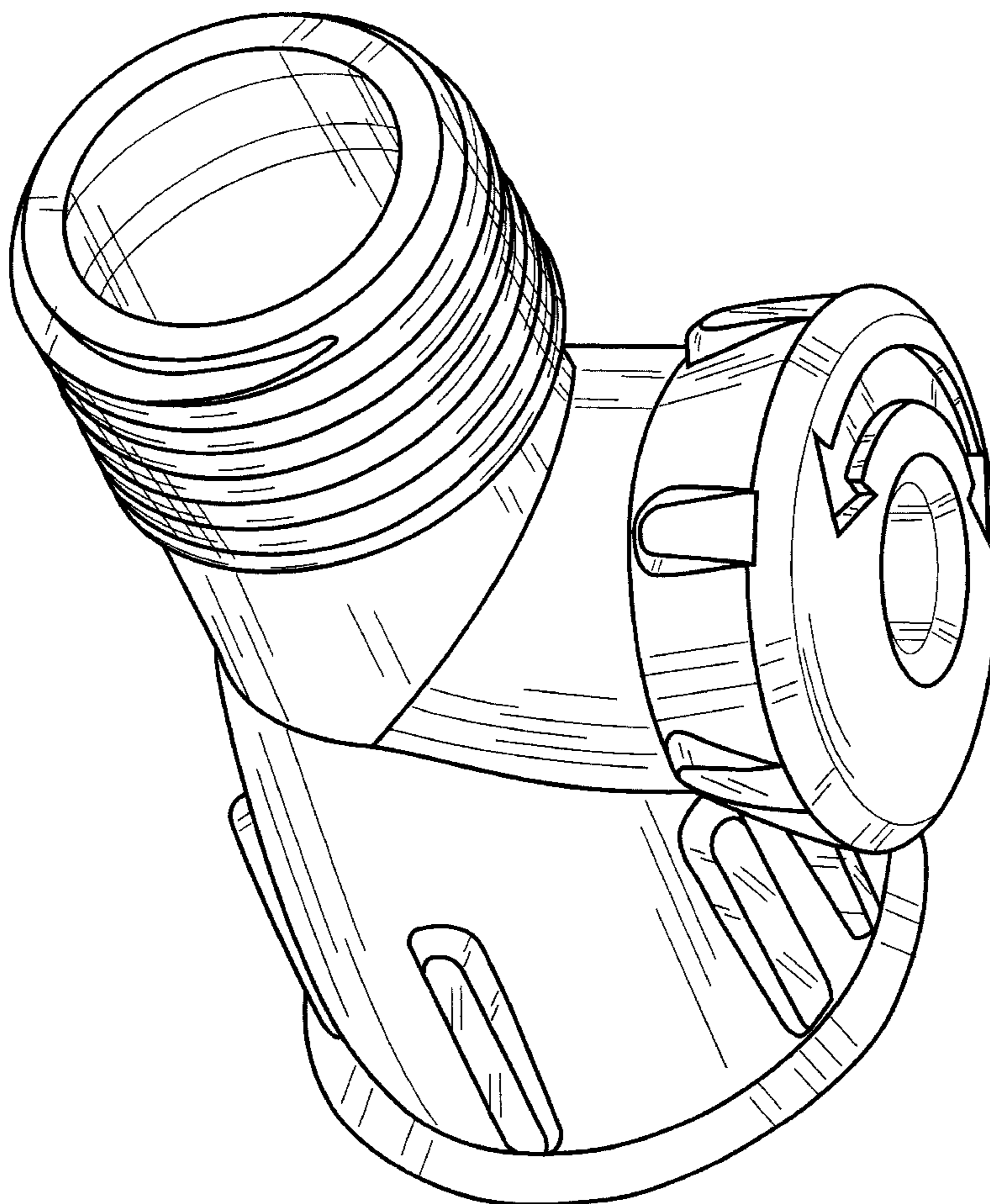
FIG. 5 is another side view thereof;

FIG. 6 is a front view thereof; and,

FIG. 7 is a rear view thereof.

The broken lines shown are for illustrative purposes only and form no part of the claimed design.

1 Claim, 7 Drawing Sheets



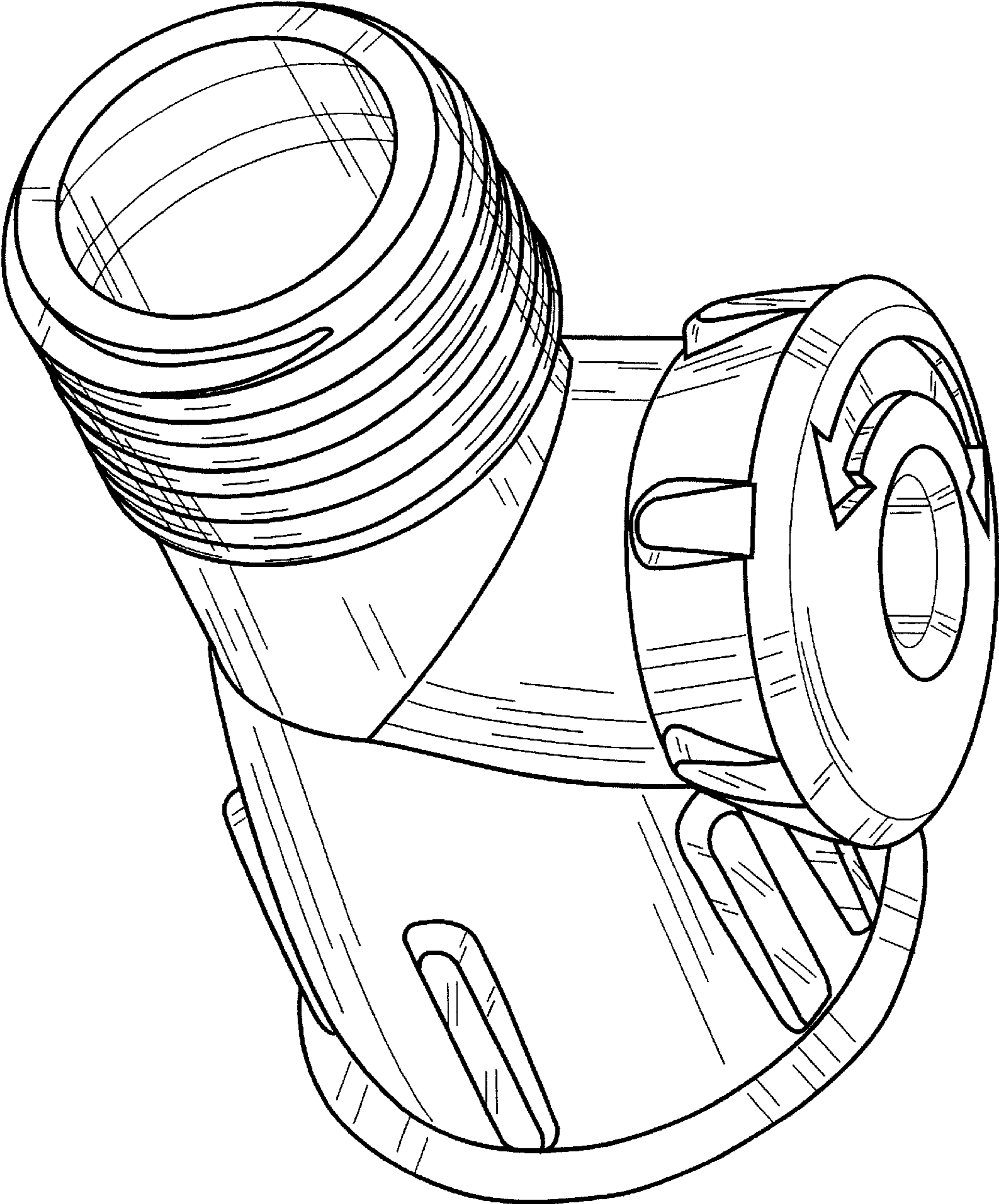


FIG:1

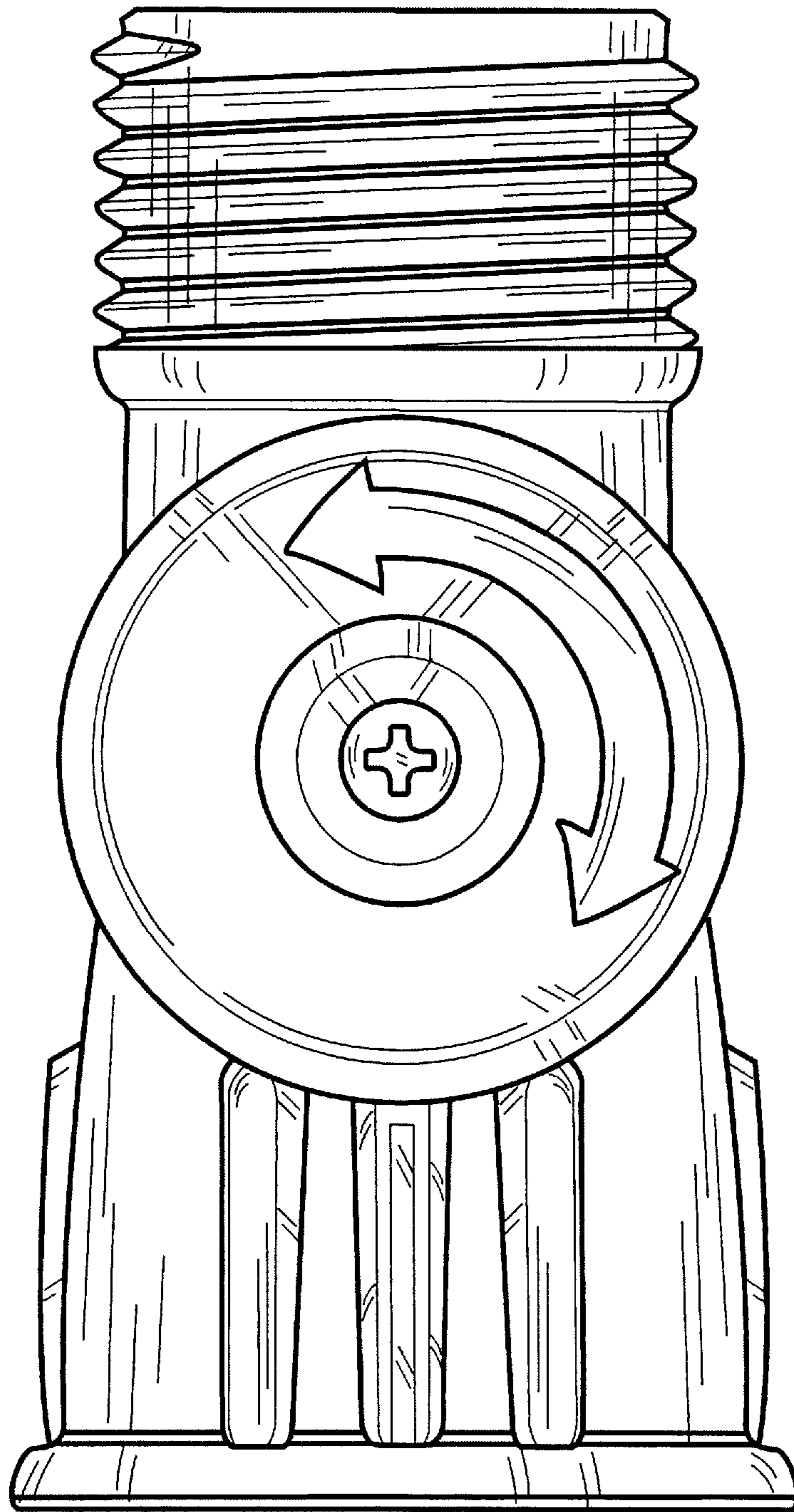


FIG:2

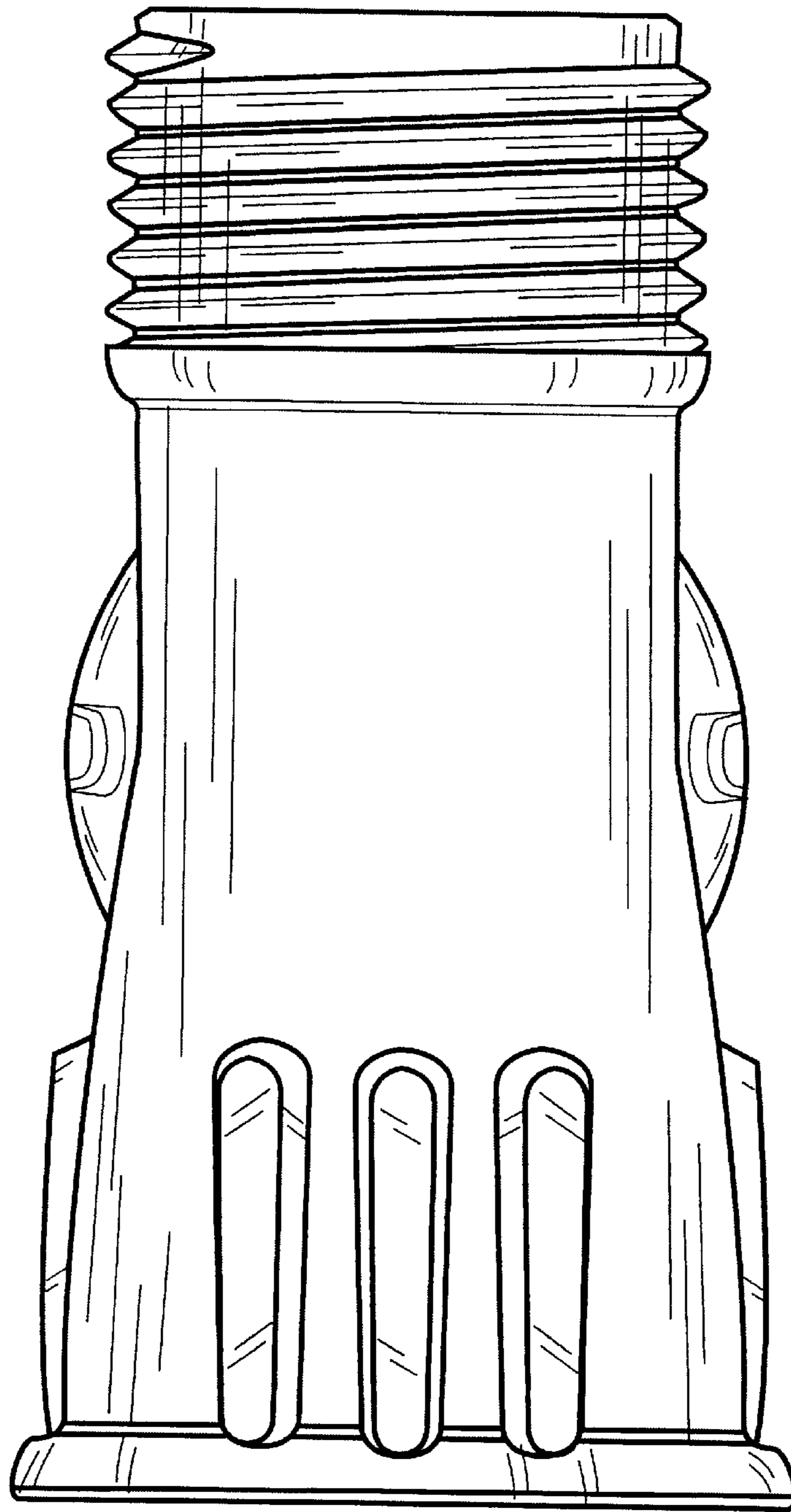


FIG:3

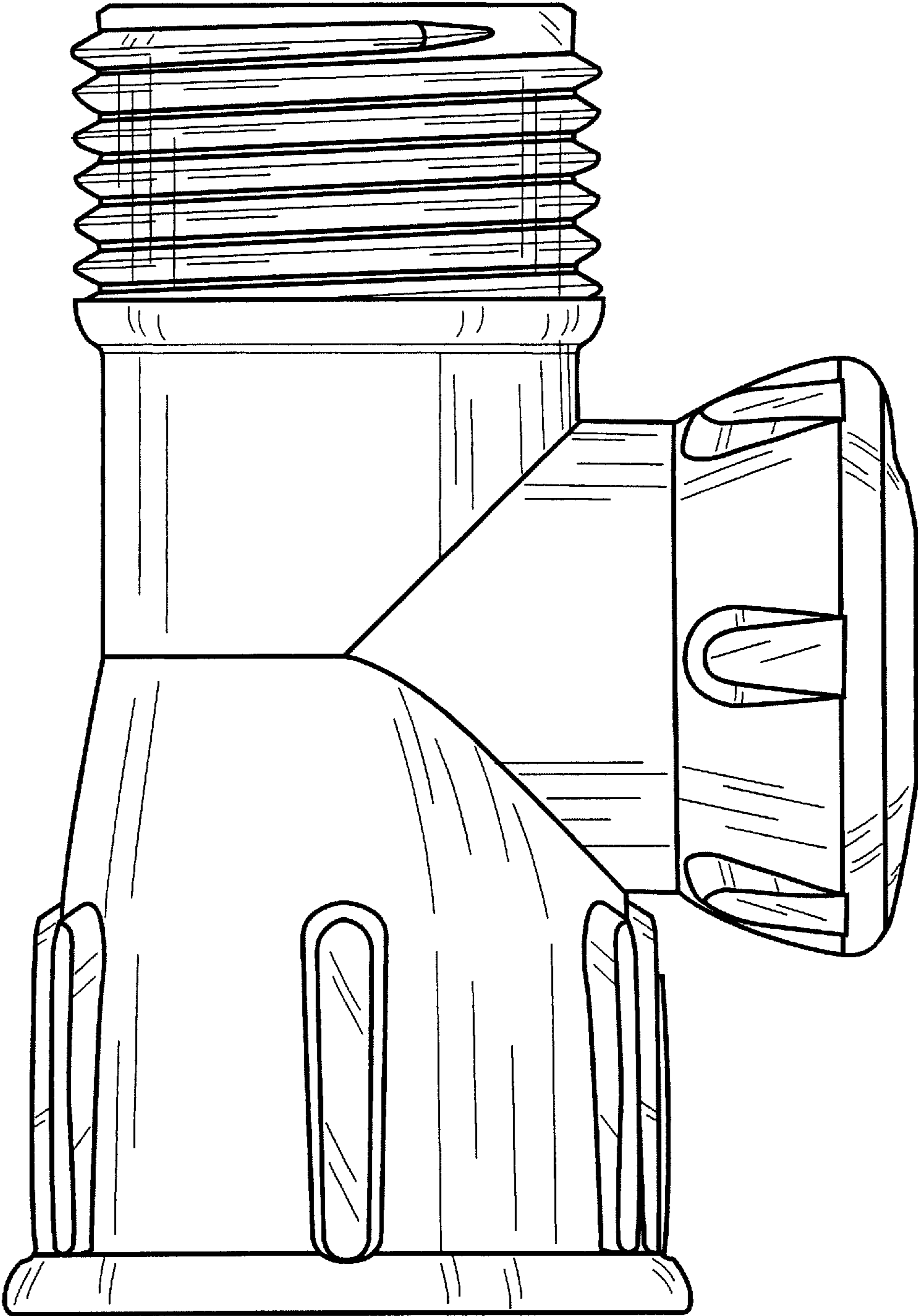


FIG:4

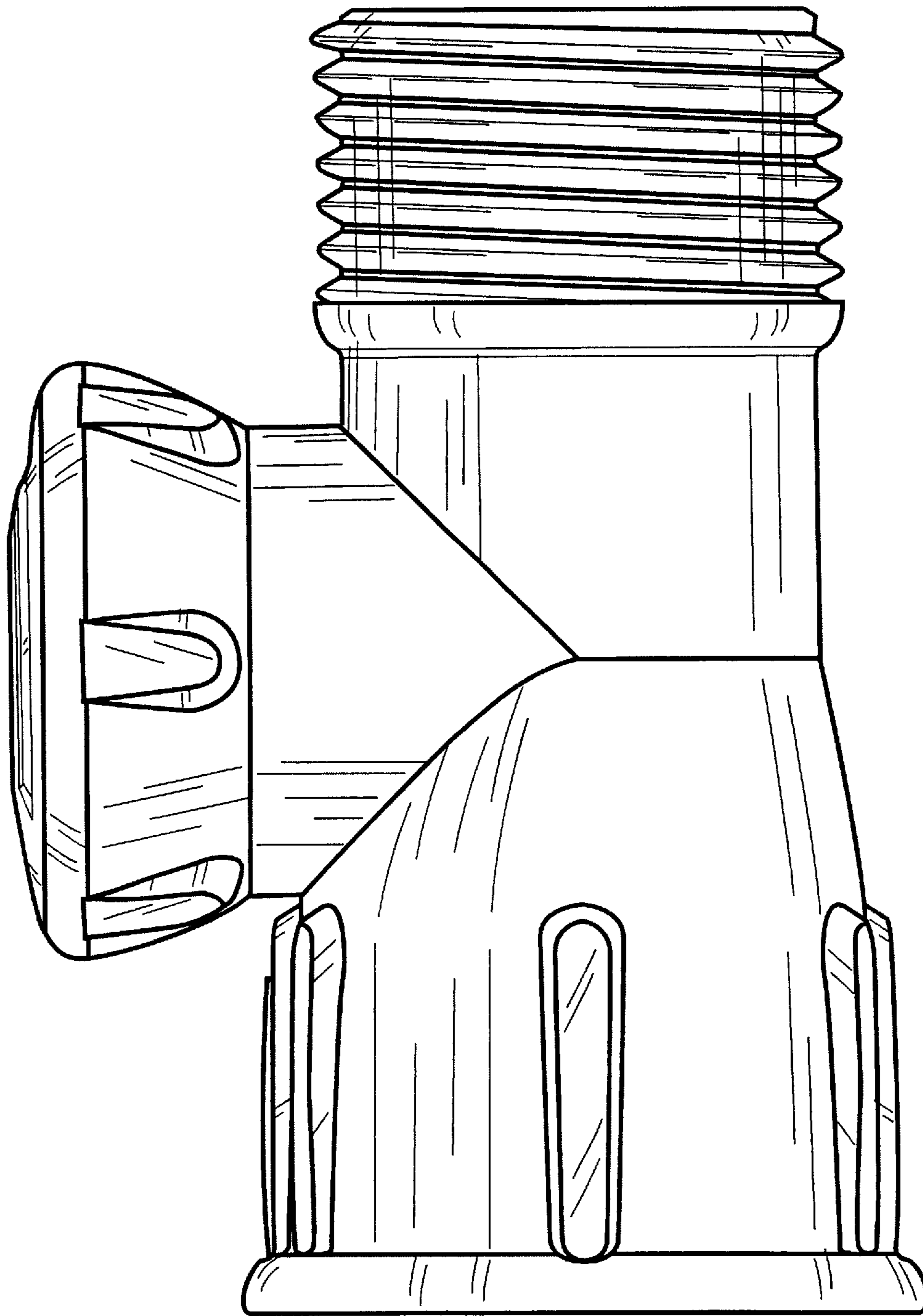


FIG:5

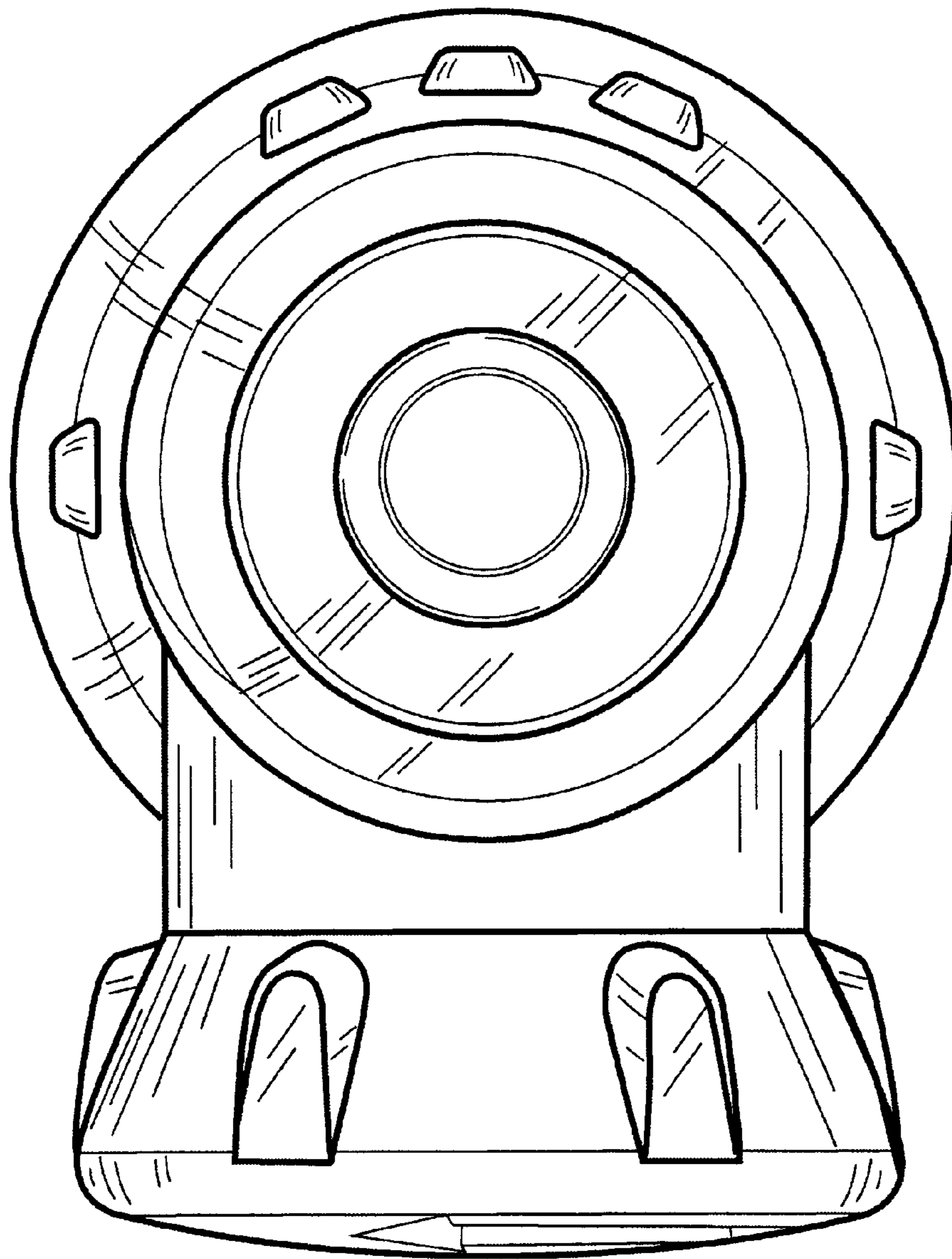


FIG:6

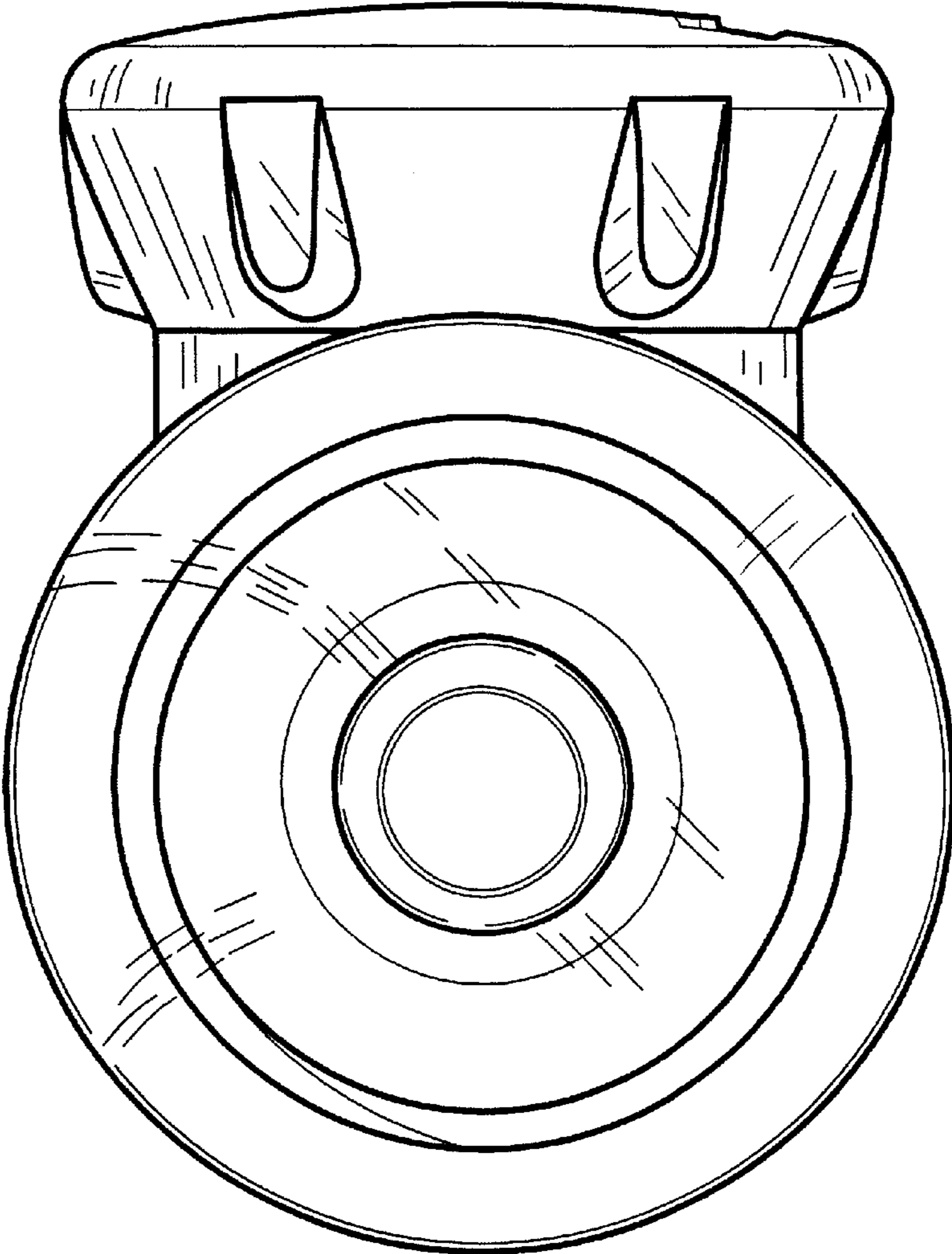


FIG:7