



US00D519186S

(12) **United States Design Patent**
Oranski et al.

(10) **Patent No.:** **US D519,186 S**

(45) **Date of Patent:** **** Apr. 18, 2006**

(54) **FILTER CARTRIDGE**

(75) Inventors: **Michael Oranski**, Jerusalem (IL);
Avner Sadot, Tel Aviv (IL); **Israel Heifetz**, deceased, late of Tel Aviv (IL);
by **Ruth Heifetz**, legal representative,
Tel Aviv (IL); **Yoav Dracher**,
Givatayim (IL)

(73) Assignee: **Tana Industries (1991) Ltd.**, Haela
(IL)

(**) Term: **14 Years**

(21) Appl. No.: **29/214,194**

(22) Filed: **Sep. 30, 2004**

(30) **Foreign Application Priority Data**

Apr. 2, 2004 (IL) 39124

(51) **LOC (8) Cl.** **23-01**

(52) **U.S. Cl.** **D23/209**

(58) **Field of Classification Search** D23/207,
D23/209; 210/232, 340, 341

See application file for complete search history.

(56) **References Cited**

U.S. PATENT DOCUMENTS

D295,438 S	*	4/1988	Bray et al.	D23/207
D407,462 S	*	3/1999	Bishop et al.	D23/207
D439,304 S	*	3/2001	Tilp et al.	D23/209
D454,615 S	*	3/2002	Neal	D23/209
D506,806 S	*	6/2005	St-Hilaire	D23/209

* cited by examiner

Primary Examiner—Robin V. Webster

(74) *Attorney, Agent, or Firm*—Wenderoth, Lind & Ponack,
L.L.P.

(57) **CLAIM**

The ornamental design for “filter cartridge,” as shown and described.

DESCRIPTION

FIG. 1 shows a front perspective view of the filter cartridge.

FIG. 2 shows a back perspective view thereof.

FIG. 3 shows a front view thereof.

FIG. 4 shows a side view thereof.

FIG. 5 shows a top view thereof; and,

FIG. 6 shows a bottom view thereof.

1 Claim, 5 Drawing Sheets

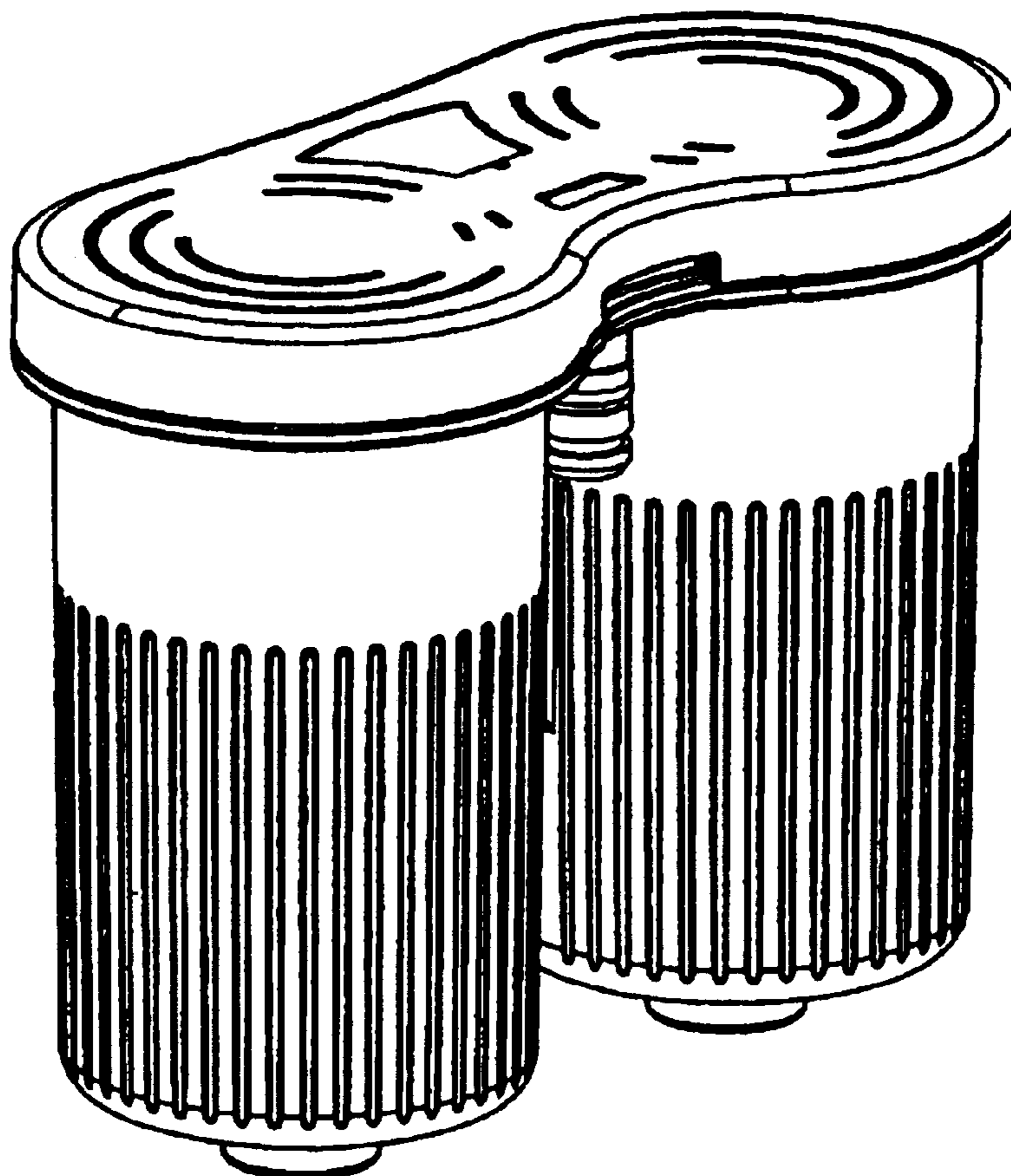


FIG. 1

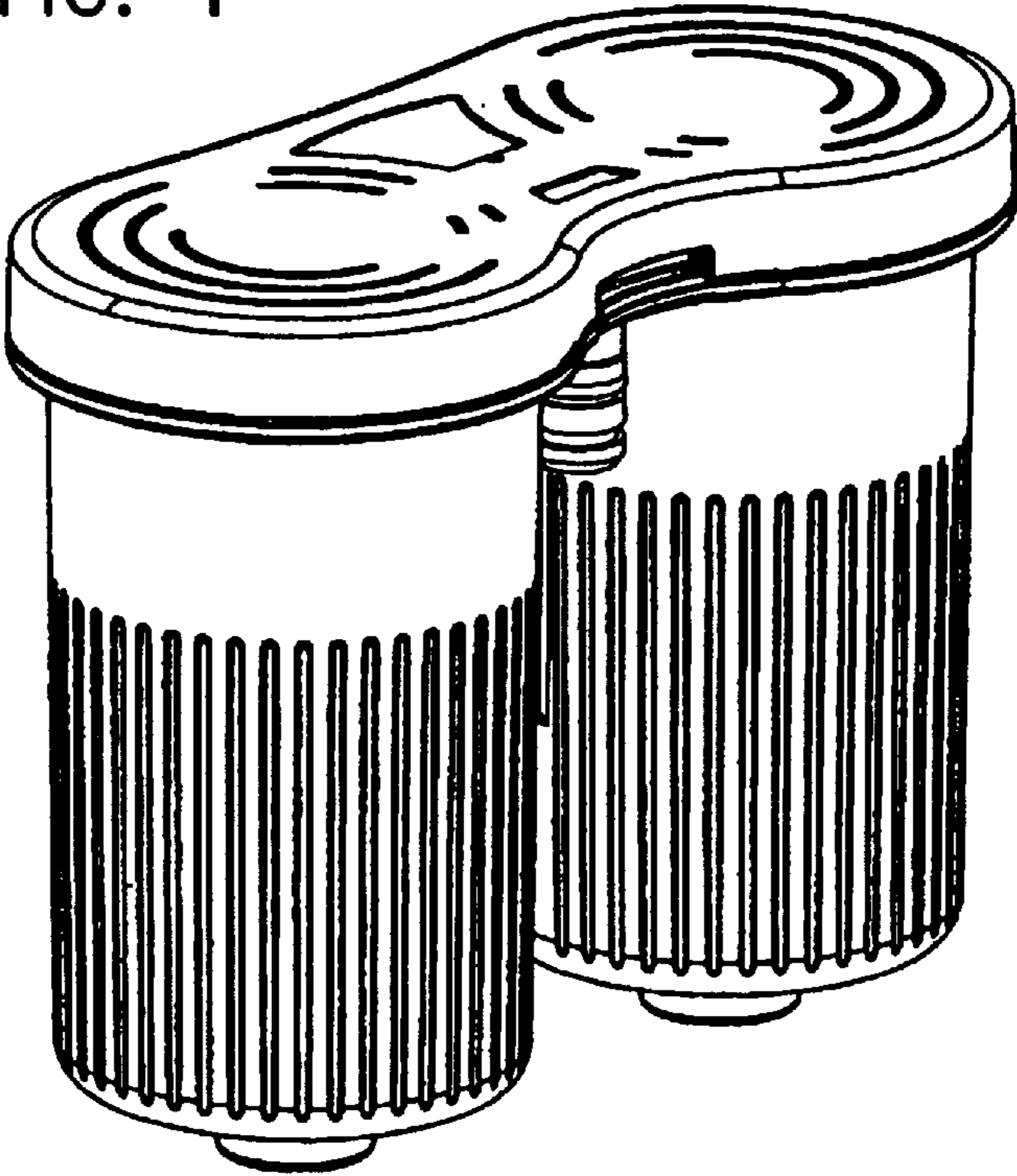


FIG. 2

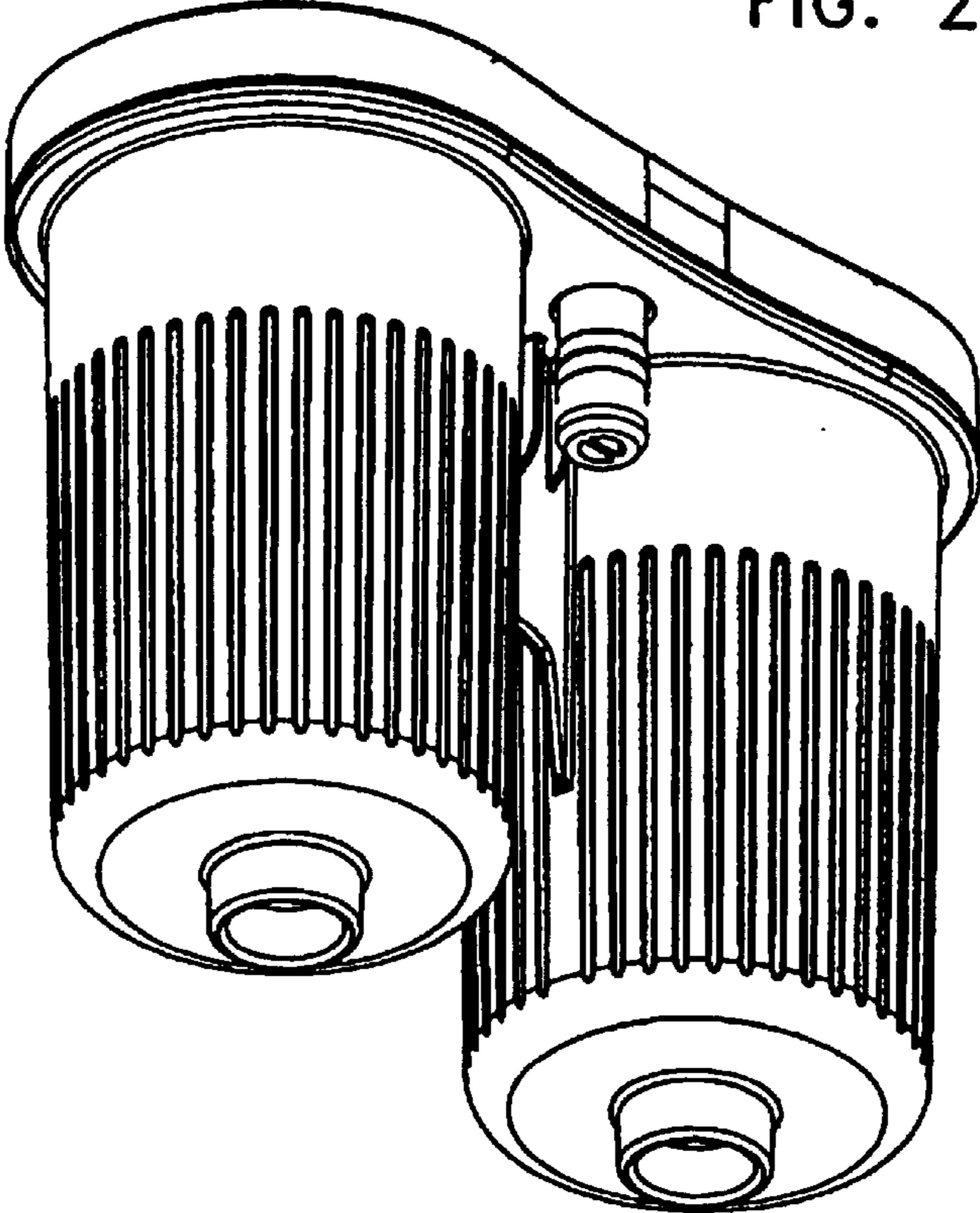


FIG. 3

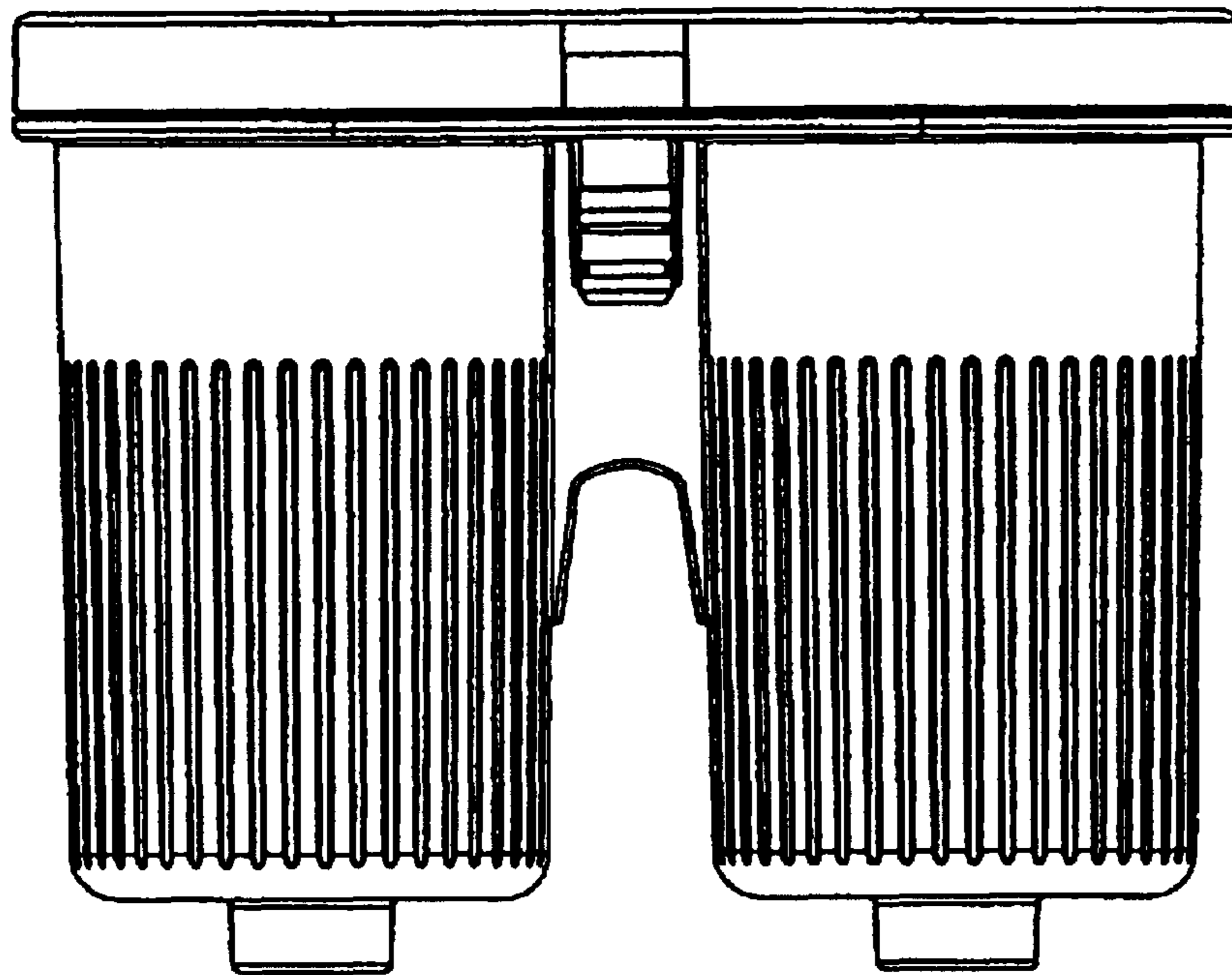


FIG. 4

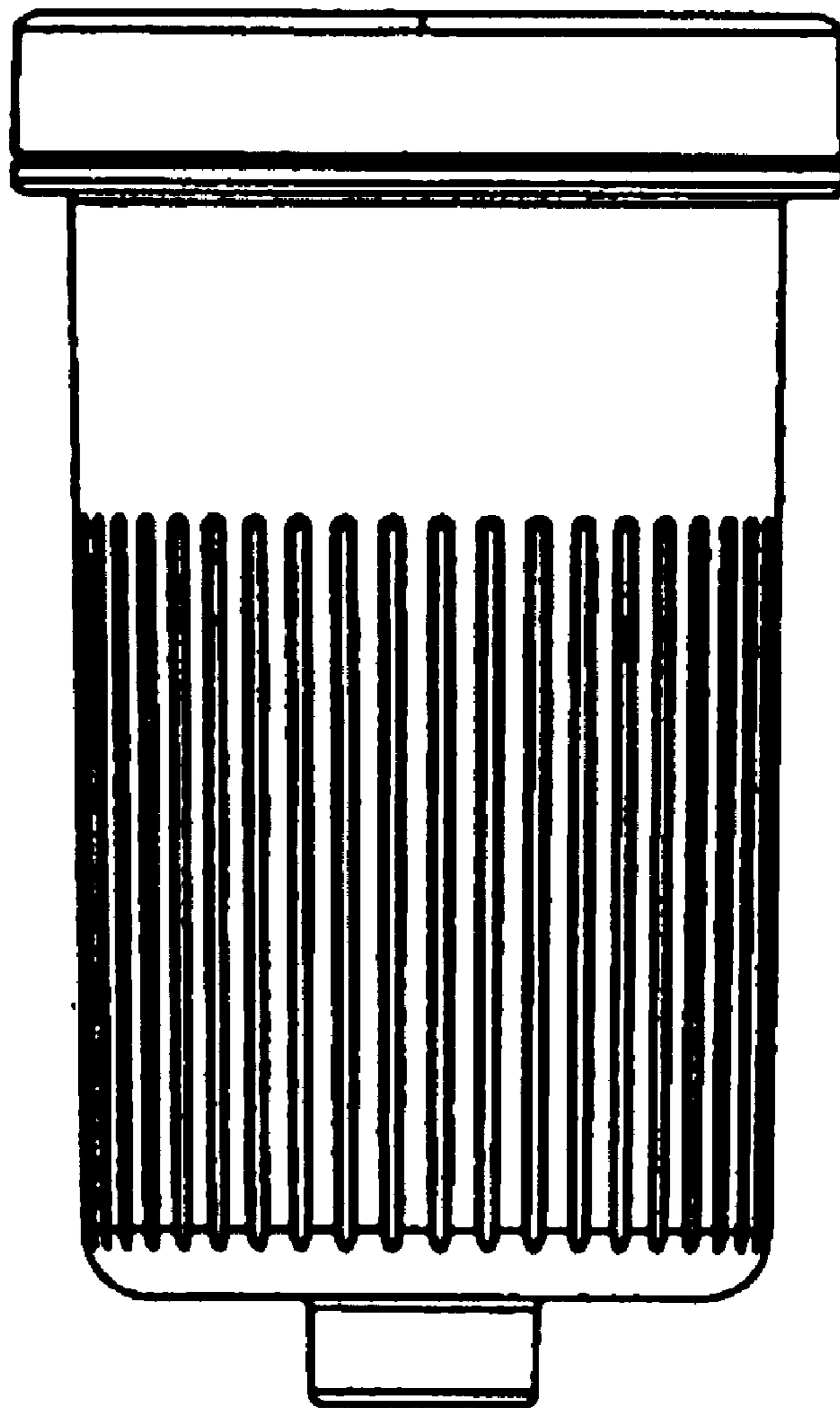


FIG. 5

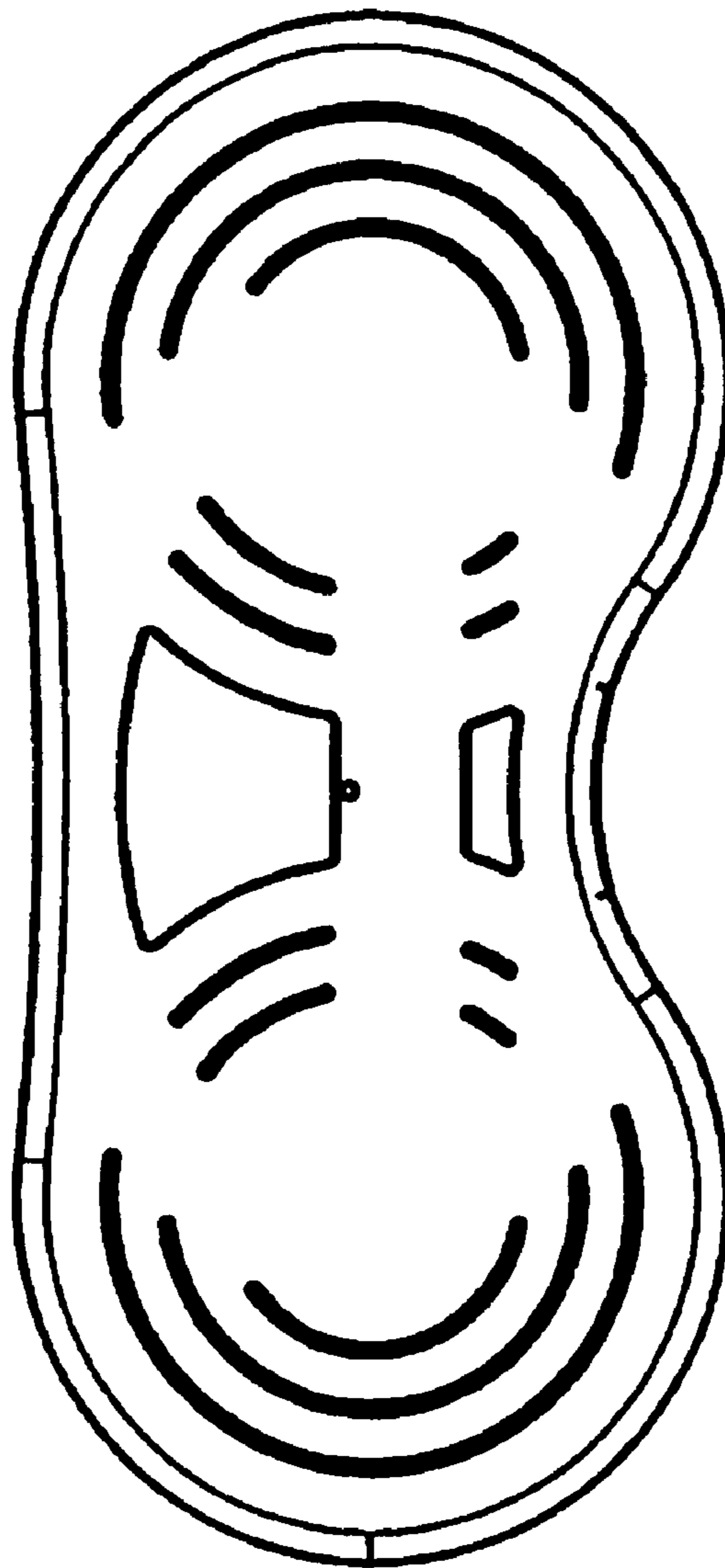


FIG. 6

