



US00D519183S

(12) **United States Design Patent**
Minneman

(10) **Patent No.:** **US D519,183 S**
(45) **Date of Patent:** **** Apr. 18, 2006**

- (54) **SHOOTER'S REST**
- (76) Inventor: **Steven W. Minneman**, 8285 Lukmin Ct., Clayton, OH (US) 45315
- (**) Term: **14 Years**
- (21) Appl. No.: **29/233,146**
- (22) Filed: **Jun. 28, 2005**

- 4,815,593 A 3/1989 Brown
- 4,823,673 A 4/1989 Downing
- 4,873,777 A 10/1989 Southard
- 4,937,965 A 7/1990 Narvaez
- 4,967,497 A 11/1990 Yakscoe
- 4,971,208 A 11/1990 Reinfried, Jr. et al.
- 4,987,694 A 1/1991 Lombardo
- 4,998,944 A 3/1991 Lund
- 5,050,330 A 9/1991 Pilgrim et al.
- 5,058,302 A 10/1991 Minneman
- 5,067,268 A 11/1991 Ransom
- 5,070,636 A 12/1991 Mueller
- 5,125,389 A 6/1992 Paff

Related U.S. Application Data

(63) Continuation of application No. 10/700,265, filed on Nov. 3, 2003.

- (51) **LOC (8) Cl.** **22-01**
 - (52) **U.S. Cl.** **D22/108**
 - (58) **Field of Classification Search** D22/100, D22/101, 103, 107, 108, 199; D6/552; D21/569; 42/94, 55; 89/37.11, 40.06, 37.04, 37.12; 224/913; 211/64; 248/125.3, 156, 187.1, 248/171, 354.6
- See application file for complete search history.

(Continued)

OTHER PUBLICATIONS

Pages from Cabelas catalog.
Pages from Basspro catalog.
Page from Caldwell Shooting Supplies catalog.

Primary Examiner—Ian Simmons
Assistant Examiner—Melanie Levy
(74) *Attorney, Agent, or Firm*—Jacox Meckstroth & Jenkins

(56) **References Cited**

U.S. PATENT DOCUMENTS

- 2,121,982 A 6/1938 Pugsley
- 2,740,530 A 4/1956 Ponder
- 2,774,563 A 12/1956 Pribis
- 2,877,689 A 3/1959 Pribis
- 3,055,655 A 9/1962 Chelf
- 3,291,317 A 12/1966 Bowen
- 3,584,820 A 6/1971 Butcher, Sr.
- 3,608,225 A 9/1971 Manuel
- 3,913,746 A 10/1975 Burton
- 3,947,988 A 4/1976 Besaw
- 3,964,613 A 6/1976 Anderson, Jr.
- 4,007,554 A 2/1977 Helmstadter
- D257,687 S 12/1980 Bechtel
- D261,794 S * 11/1981 Bechtel D22/108
- 4,333,385 A 6/1982 Culver
- 4,449,314 A 5/1984 Sorensen
- 4,702,029 A 10/1987 DeVaul et al.
- 4,776,471 A 10/1988 Elkins
- 4,807,381 A 2/1989 Southard

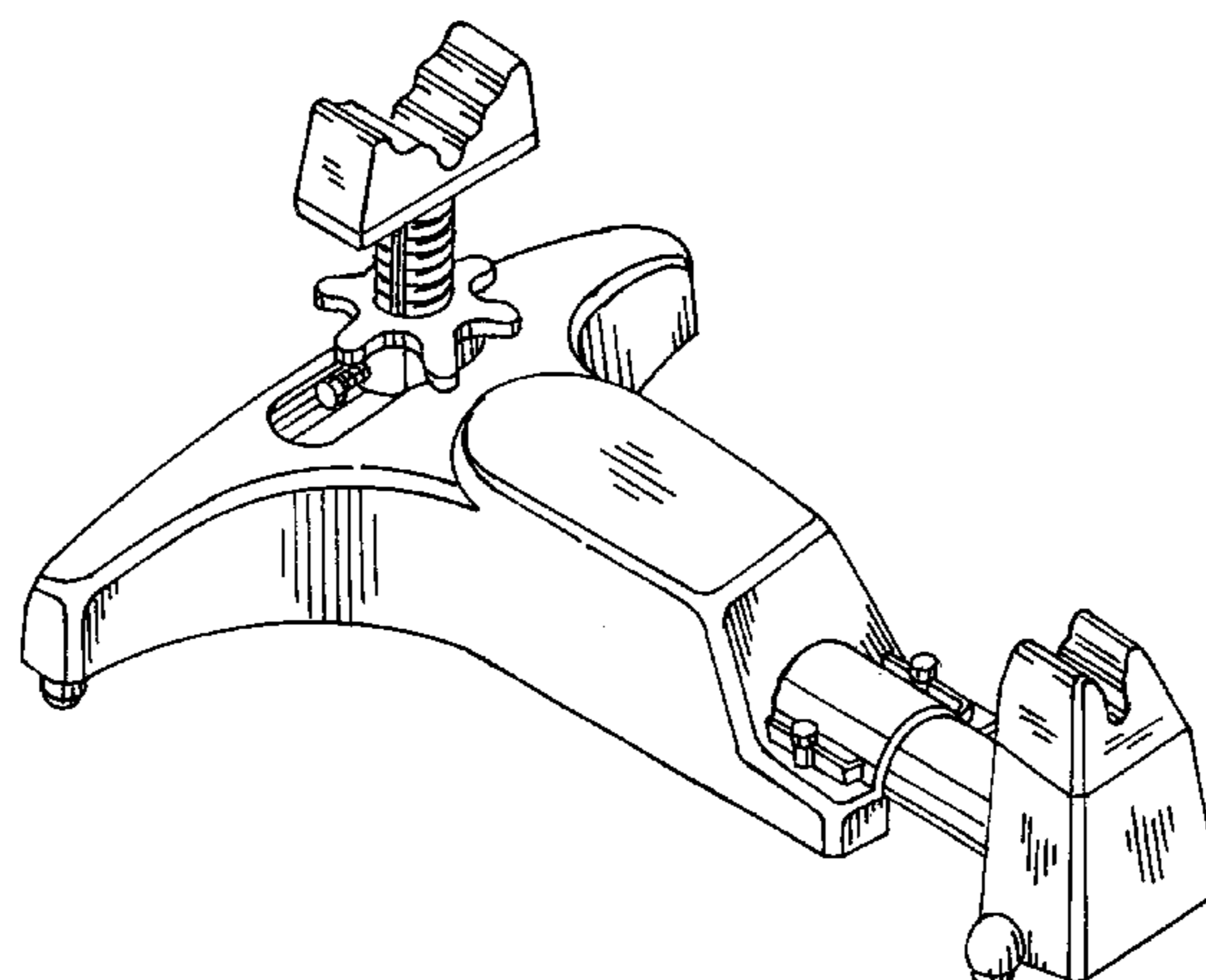
(57) **CLAIM**

The ornamental design for a shooter's rest, as shown and described.

DESCRIPTION

FIG. 1 is a perspective view of a shooter's rest in accordance with one embodiment of the inventor;
FIG. 2 is a right side view of the embodiment shown in FIG. 1, with the left side view being a mirror image;
FIG. 3 is a left side view of the embodiment shown in FIG. 1, with the right side view being a mirror image;
FIG. 4 is a top view of the embodiment shown in FIG. 1;
FIG. 5 is a bottom view of the embodiment shown in FIG. 1;
FIG. 6 is a front view of the embodiment shown in FIG. 1; and,
FIG. 7 is a rear view of the embodiment shown in FIG. 1.

1 Claim, 3 Drawing Sheets



US D519,183 S

Page 2

U.S. PATENT DOCUMENTS			
5,149,900	A	9/1992	Buck
5,180,874	A	1/1993	Troncoso, Jr
5,271,175	A	12/1993	West, III
5,332,185	A	7/1994	Walker, III
5,370,240	A	12/1994	Hand
5,402,595	A	4/1995	Tamllos
5,414,949	A	5/1995	Peebles
D359,392	S	6/1995	Bellington
5,421,115	A	6/1995	McKay
D362,116	S	9/1995	Bellington et al.
D364,080	S	11/1995	Weyrauch
5,482,241	A	1/1996	Oglesby
5,497,557	A	3/1996	Martinsson
D369,904	S	5/1996	Taylor
D375,538	S	11/1996	Minneman
5,600,913	A	2/1997	Minneman
5,628,135	A	5/1997	Cady
5,640,944	A	6/1997	Minneman
5,644,862	A	7/1997	Folmer
5,666,757	A	9/1997	Helmstadter
D387,123	S	* 12/1997	Hughes et al. D22/108
5,740,625	A	4/1998	Jenkins
5,778,589	A	7/1998	Teague
5,875,580	A	3/1999	Hill et al.
5,913,667	A	6/1999	Smilee
5,913,668	A	6/1999	Messer
5,933,999	A	8/1999	McClure et al.
5,974,719	A	11/1999	Simonek
6,058,641	A	5/2000	Vecqueray
6,293,041	B1	9/2001	Weaver
6,305,117	B1	10/2001	Hales, Sr.
6,338,218	B1	1/2002	Hegler
6,439,515	B1	8/2002	Powers
D471,248	S	* 3/2003	Jacobs D22/108
6,526,687	B1	* 3/2003	Looney 42/94
6,574,899	B1	6/2003	Mostello
6,643,973	B1	11/2003	Smith
6,663,298	B1	12/2003	Haney
6,877,266	B1	* 4/2005	Brownlee 42/94
6,883,263	B1	* 4/2005	Carrow 42/94
2004/0134113	A1	* 7/2004	Deros et al. 42/94

* cited by examiner

FIG-1

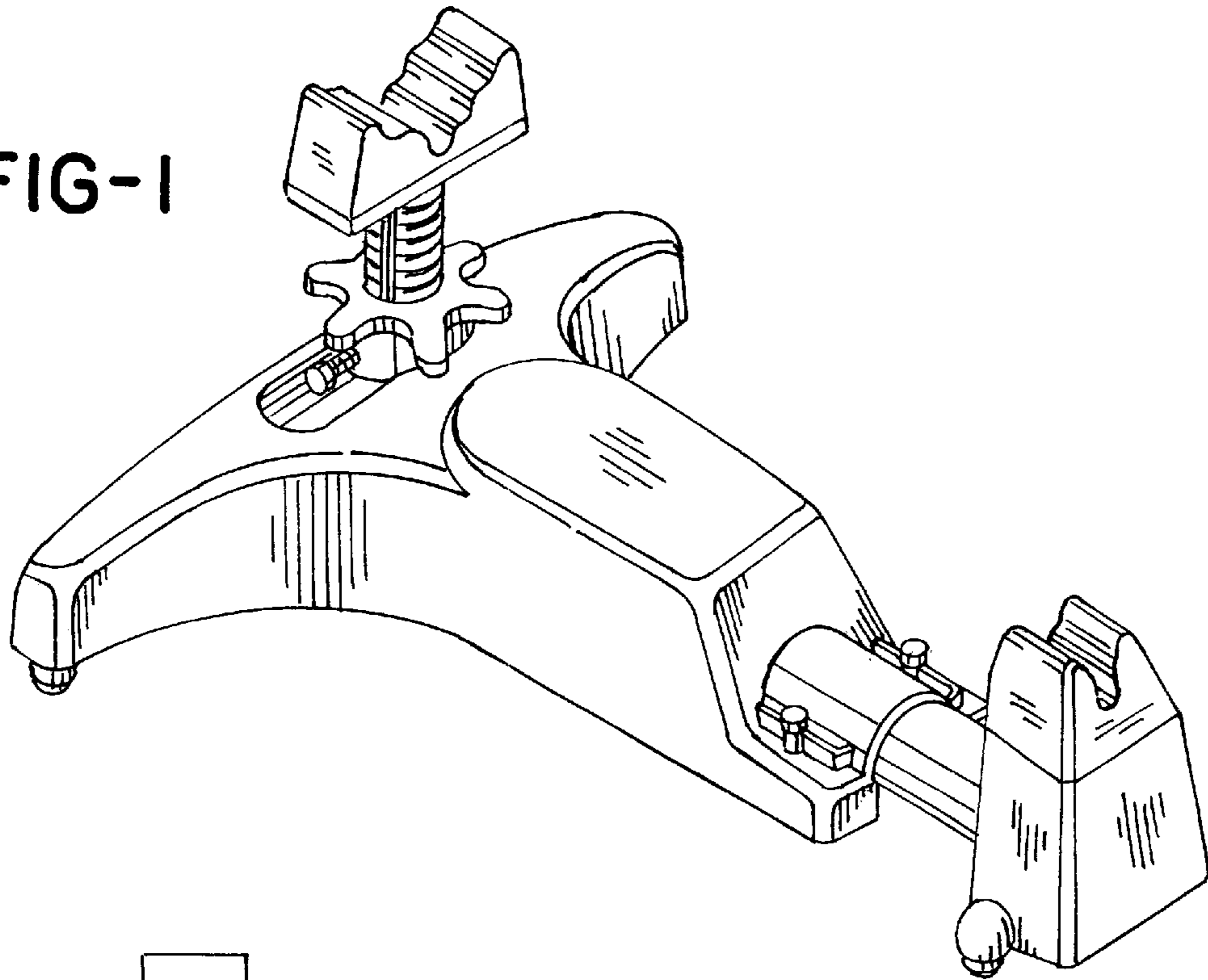


FIG-2

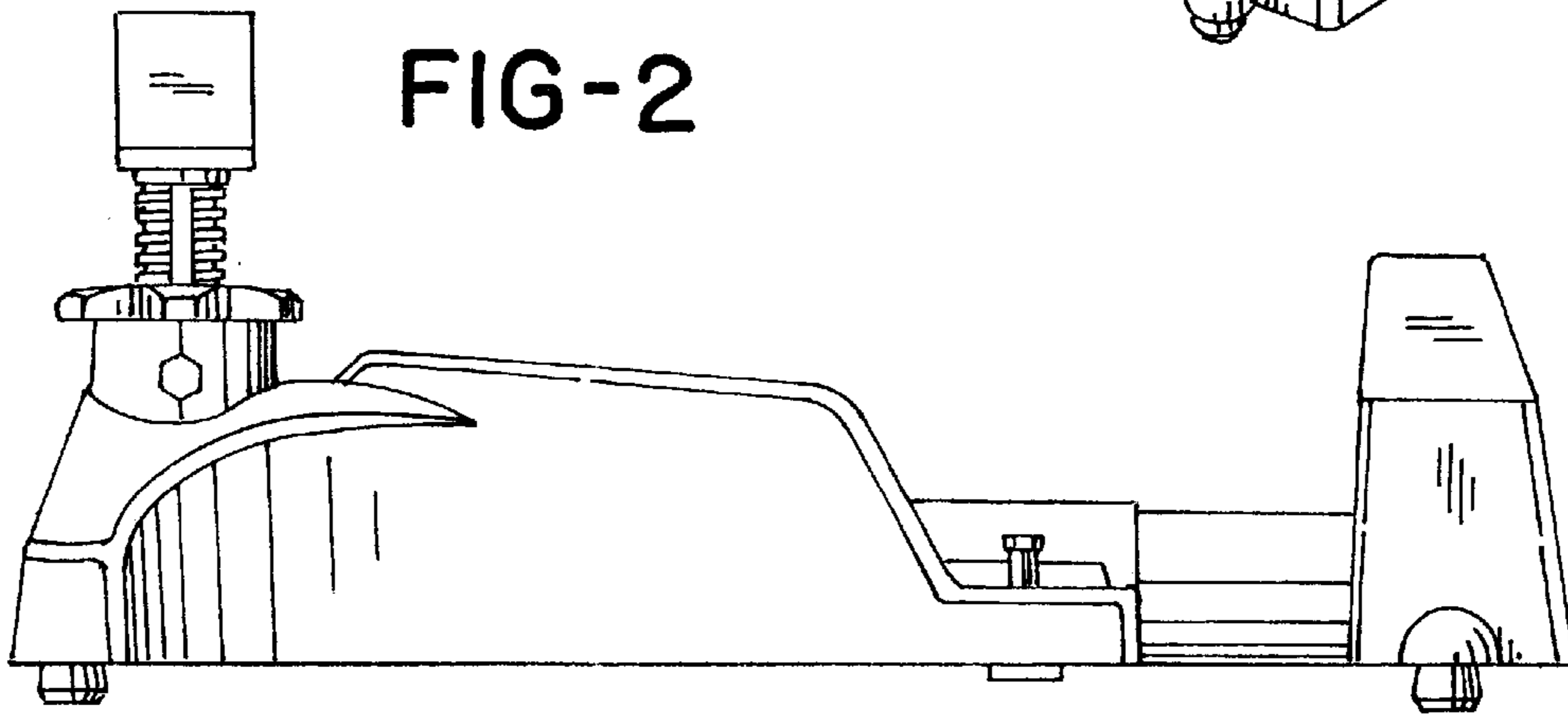


FIG-3

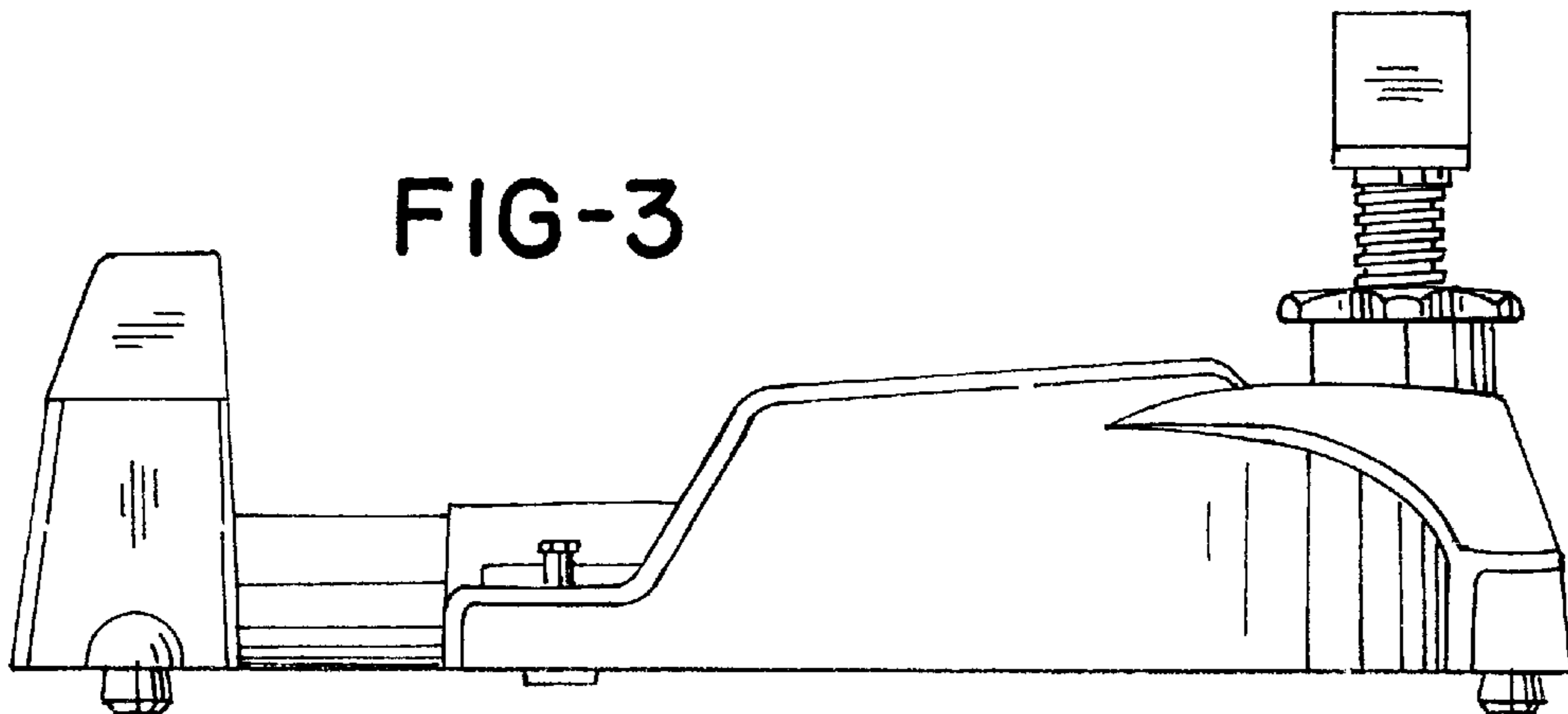


FIG-4

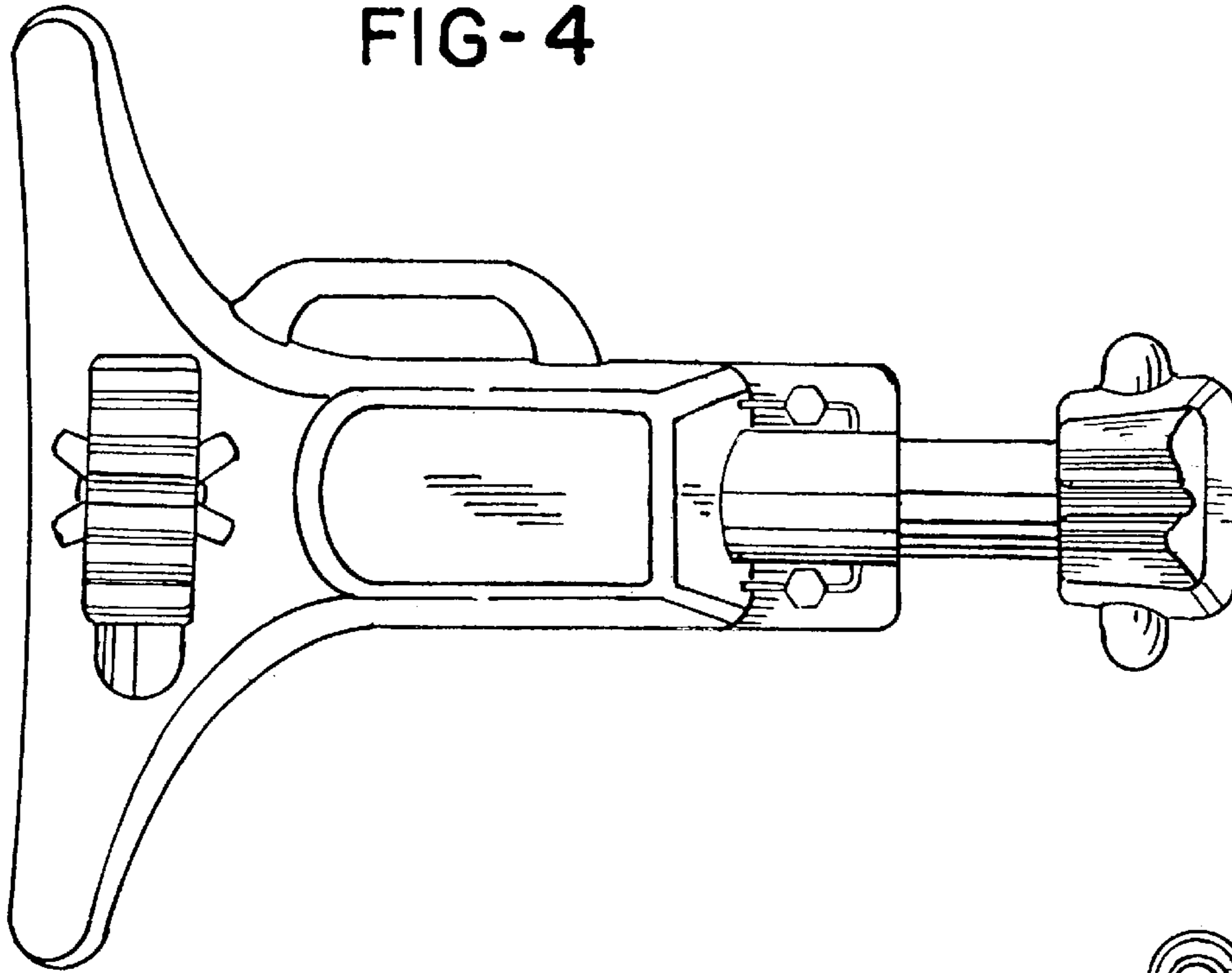


FIG-5

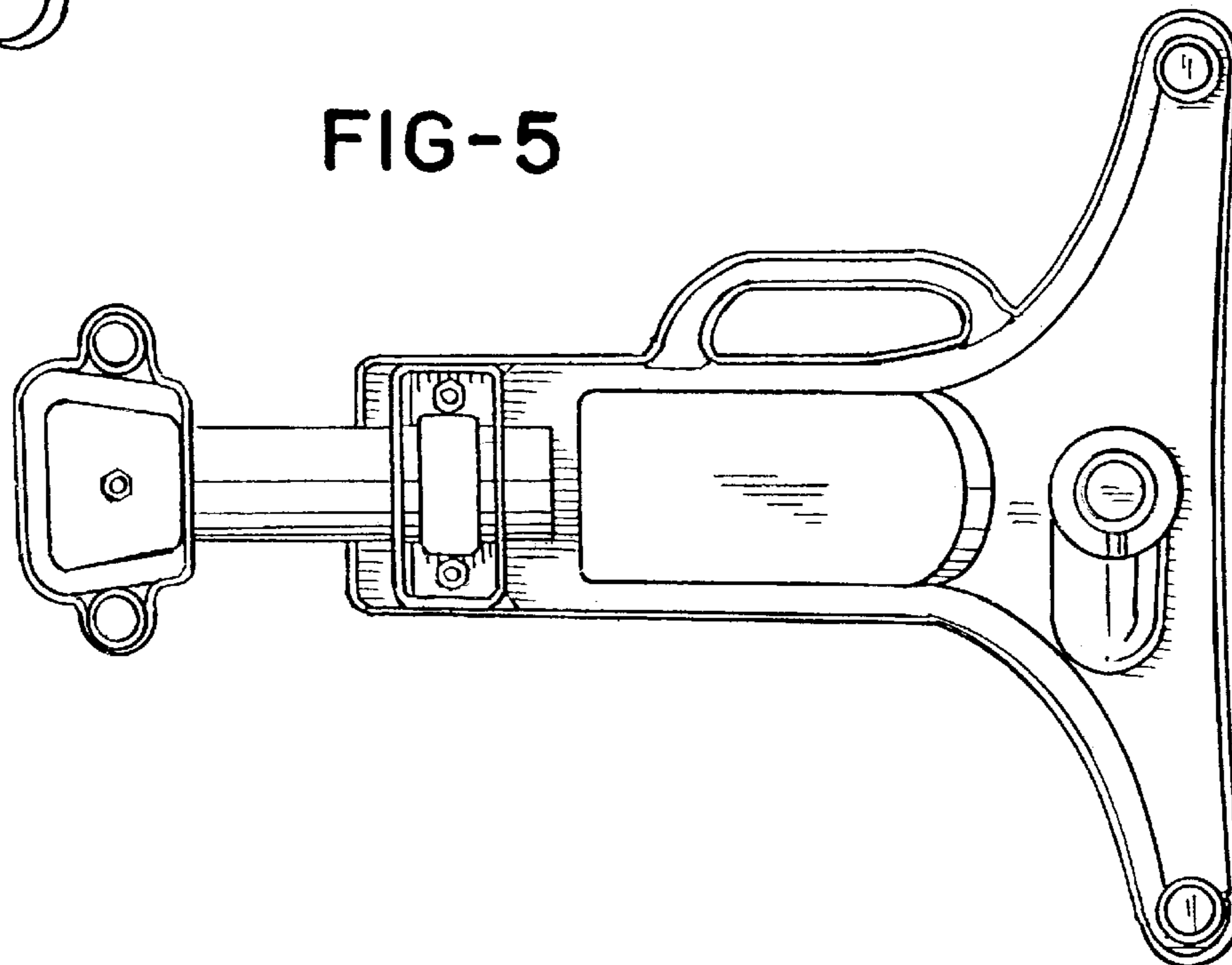


FIG-6

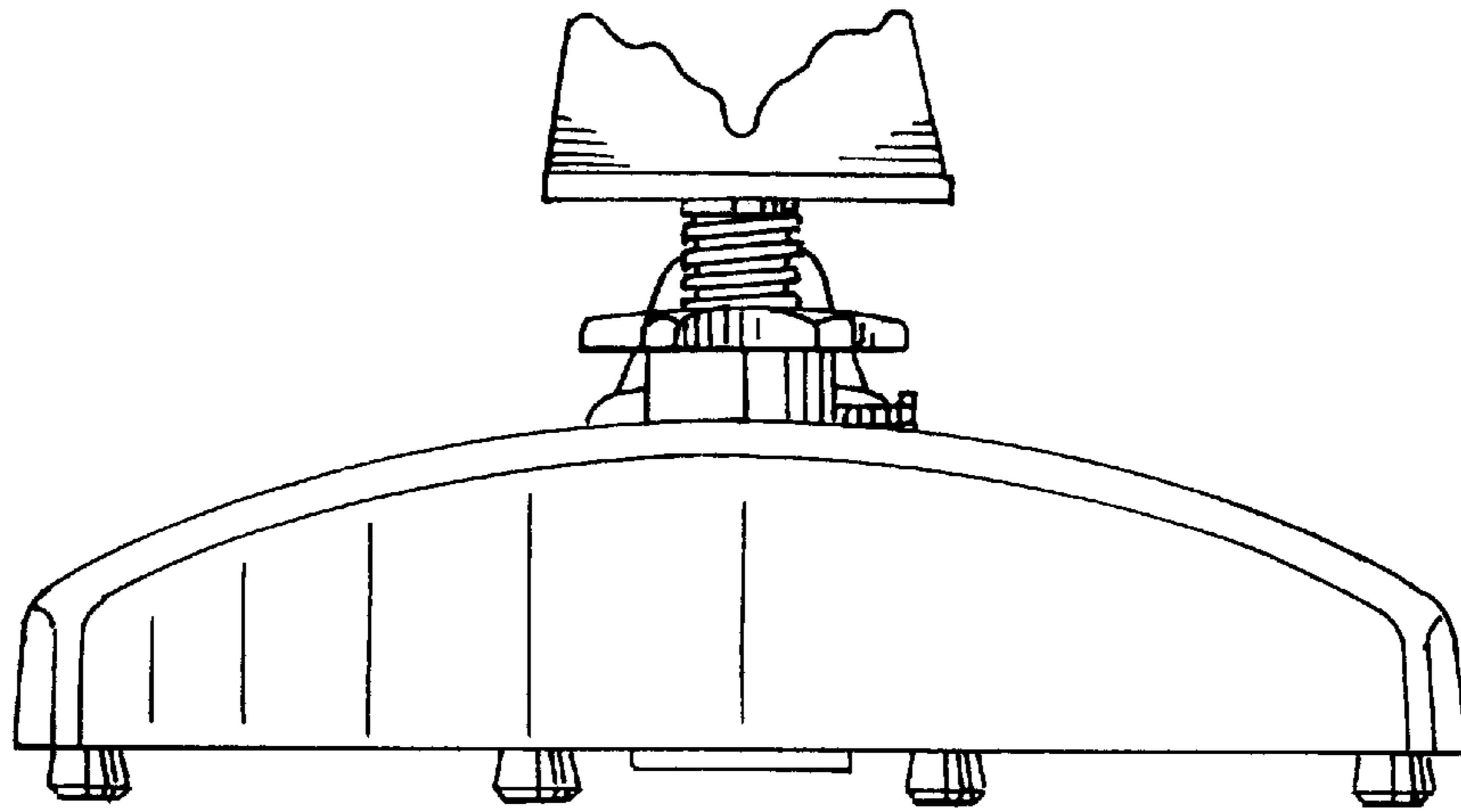


FIG-7

