



US00D519182S

(12) **United States Design Patent**
Sinchok et al.

(10) **Patent No.:** **US D519,182 S**
(45) **Date of Patent:** **** Apr. 18, 2006**

(54) **SAND AND WATER TABLE**
(75) Inventors: **John D. Sinchok**, Peninsula, OH (US);
Thomas Joseph Manion, Solon, OH (US)
(73) Assignee: **The Step2 Company**, Streetsboro, OH (US)
(**) Term: **14 Years**

3,823,426 A 7/1974 Mitchko
4,056,892 A 11/1977 Atencio
D257,054 S 9/1980 Ferretti
4,515,360 A 5/1985 Mariol
4,799,665 A 1/1989 Bracy
5,865,501 A 2/1999 Eisenberg et al.
5,971,764 A 10/1999 Todd
D436,392 S * 1/2001 Addleman D21/815
6,331,147 B1 12/2001 Munro et al.
6,616,539 B1 9/2003 Gatto et al.

* cited by examiner

(21) Appl. No.: **29/208,616**
(22) Filed: **Jul. 1, 2004**

Primary Examiner—Mitchell Siegel
(74) *Attorney, Agent, or Firm*—Timothy D. Bennett; Roger D. Emerson; Brouse McDowell

(51) **LOC (8) Cl.** **21-02**
(52) **U.S. Cl.** **D21/815**
(58) **Field of Classification Search** D21/811,
D21/814–816; 472/126, 128
See application file for complete search history.

(57) **CLAIM**

The ornamental design for a sand and water table, as shown.

DESCRIPTION

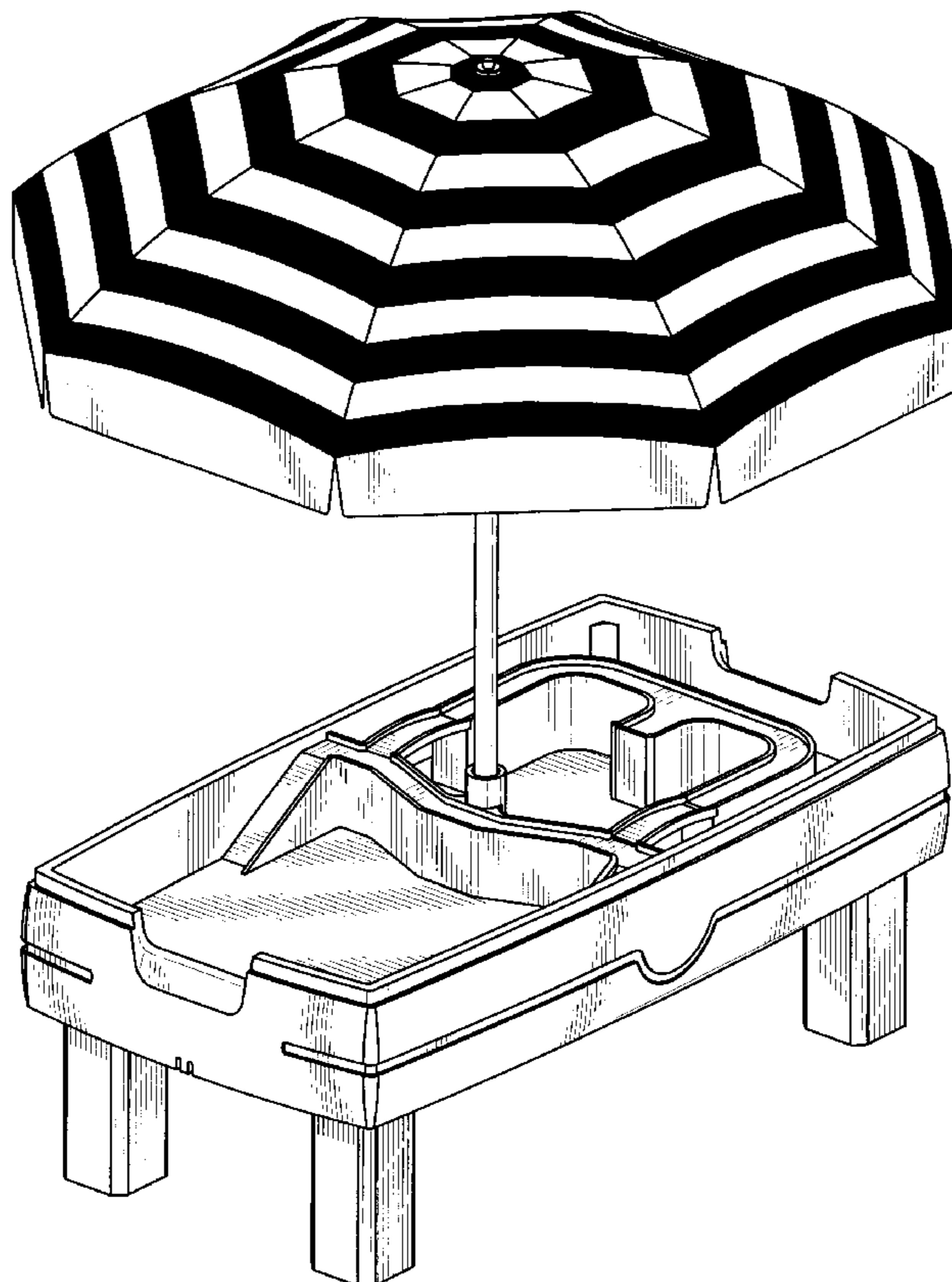
(56) **References Cited**

U.S. PATENT DOCUMENTS

1,748,932 A 2/1930 Medart et al.
2,199,915 A 5/1940 Howard
D145,391 S * 8/1946 Cosme D21/816
2,673,086 A 3/1954 Brown, Sr.
D188,948 S * 10/1960 Axe D21/815
3,006,705 A 10/1961 Williams et al.
3,020,045 A 2/1962 Moss
D227,683 S * 7/1973 Mitchko D21/815
D231,995 S * 7/1974 Mitchko D21/815

FIG. 1 is a perspective view of the sand and water table; FIG. 2 is a first side view of the sand and water table; FIG. 3 is a first end view of the sand and water table; FIG. 4 is a second side view of the sand and water table; FIG. 5 is second end view of the sand and water table; FIG. 6 is top view of the sand and water table; FIG. 7 is a bottom view of the sand and water table; and, FIG. 8 is a perspective view of the sand and water table in a closed configuration.

1 Claim, 8 Drawing Sheets



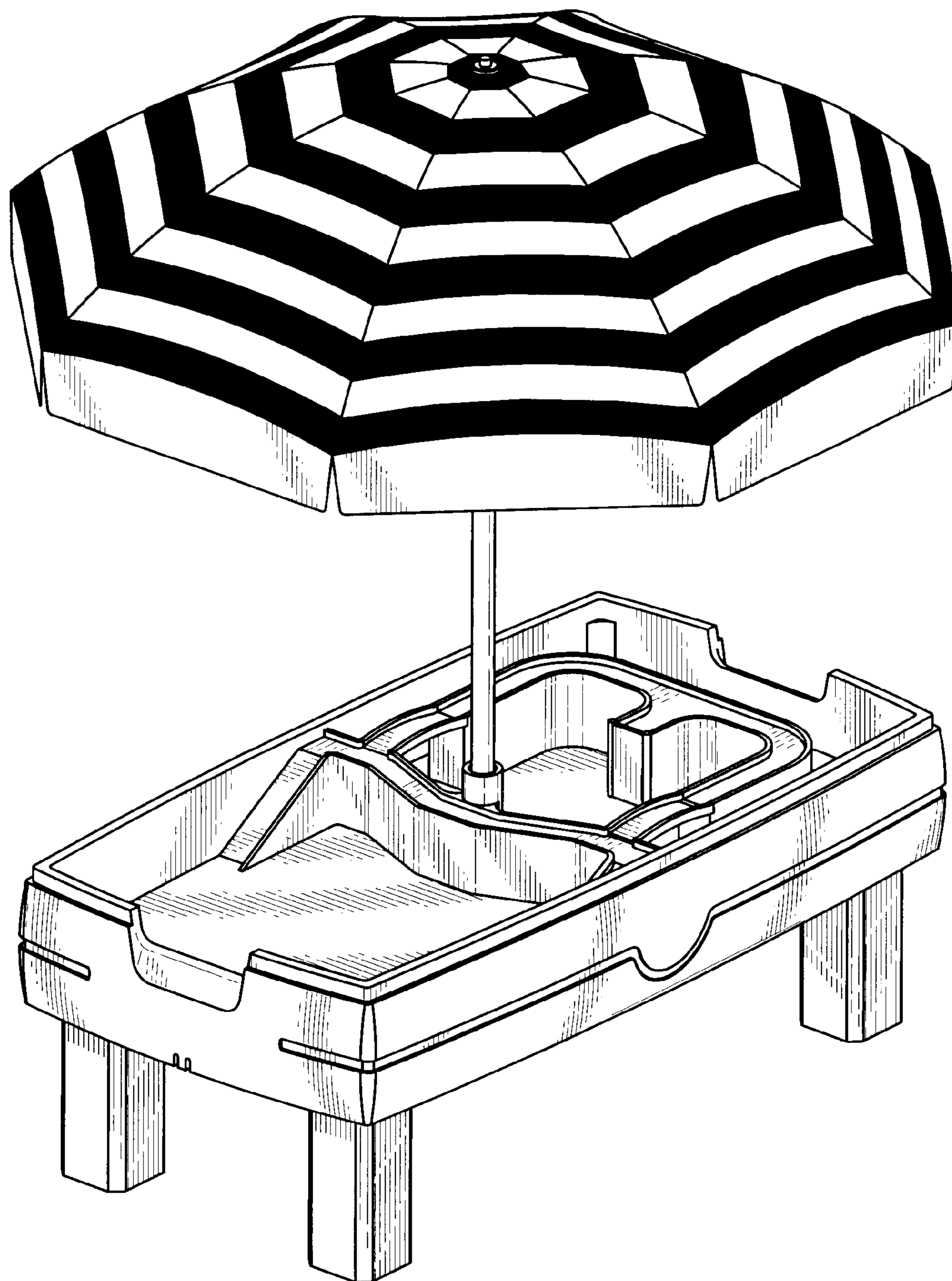


FIG-1

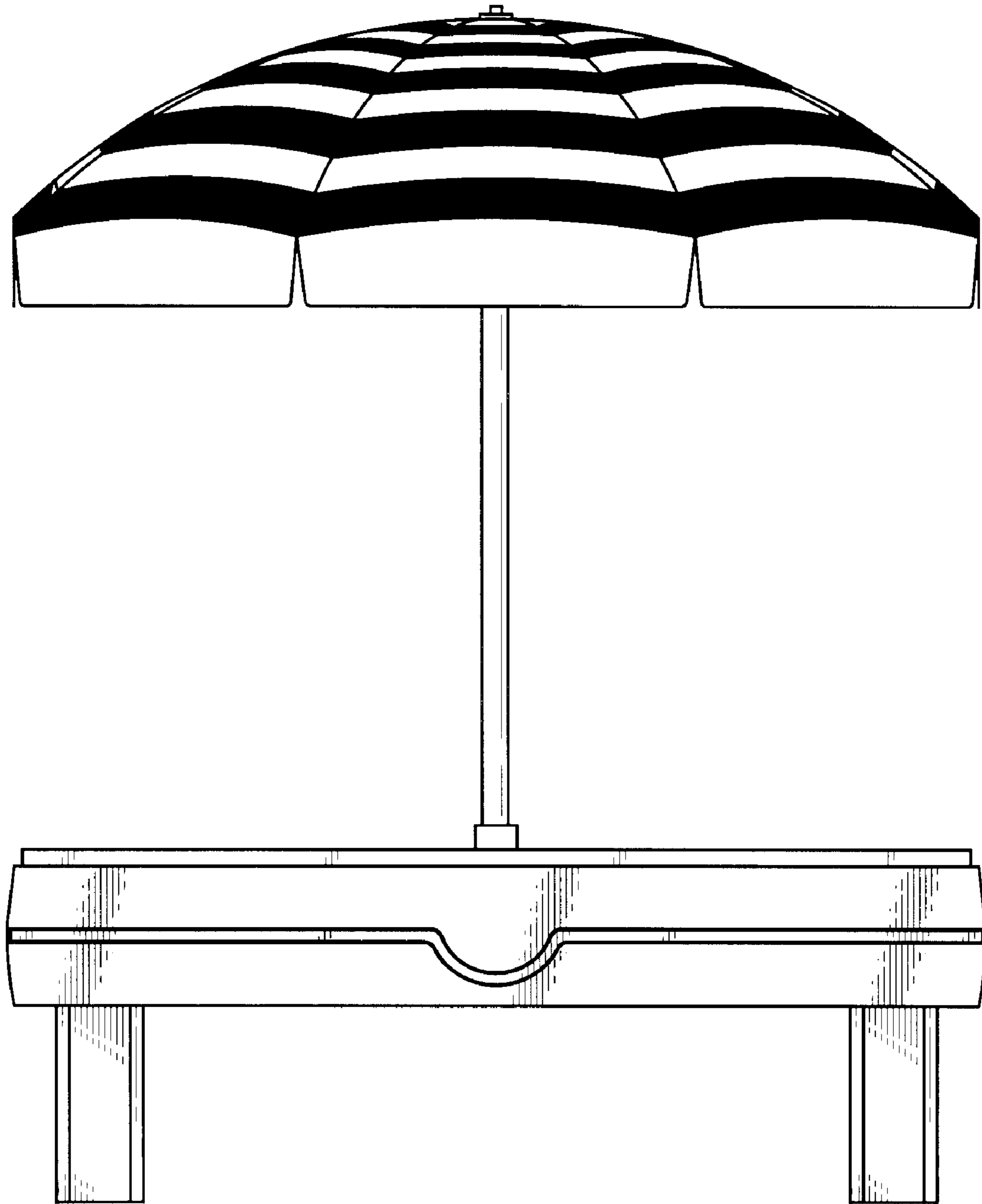


FIG-2

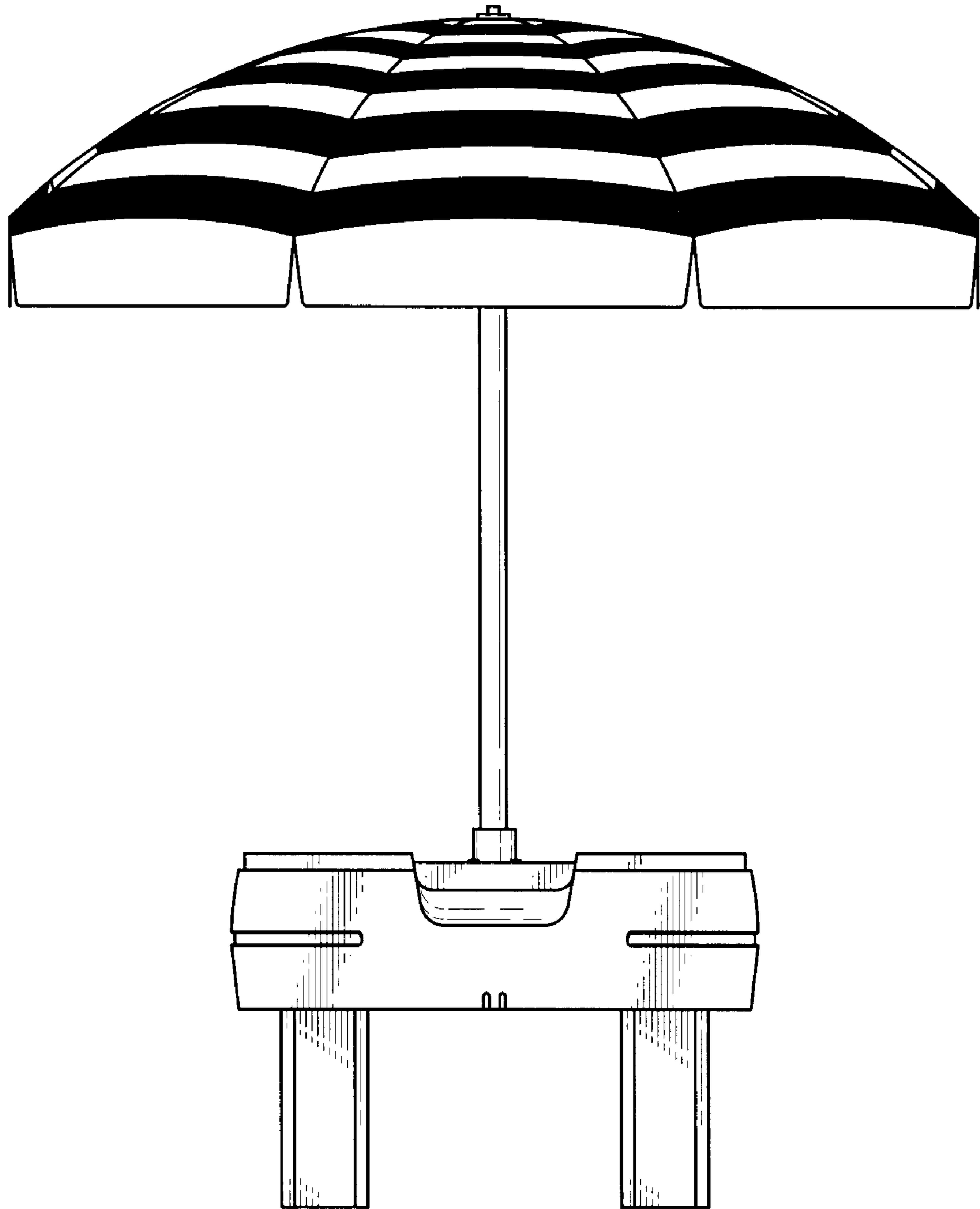


FIG-3

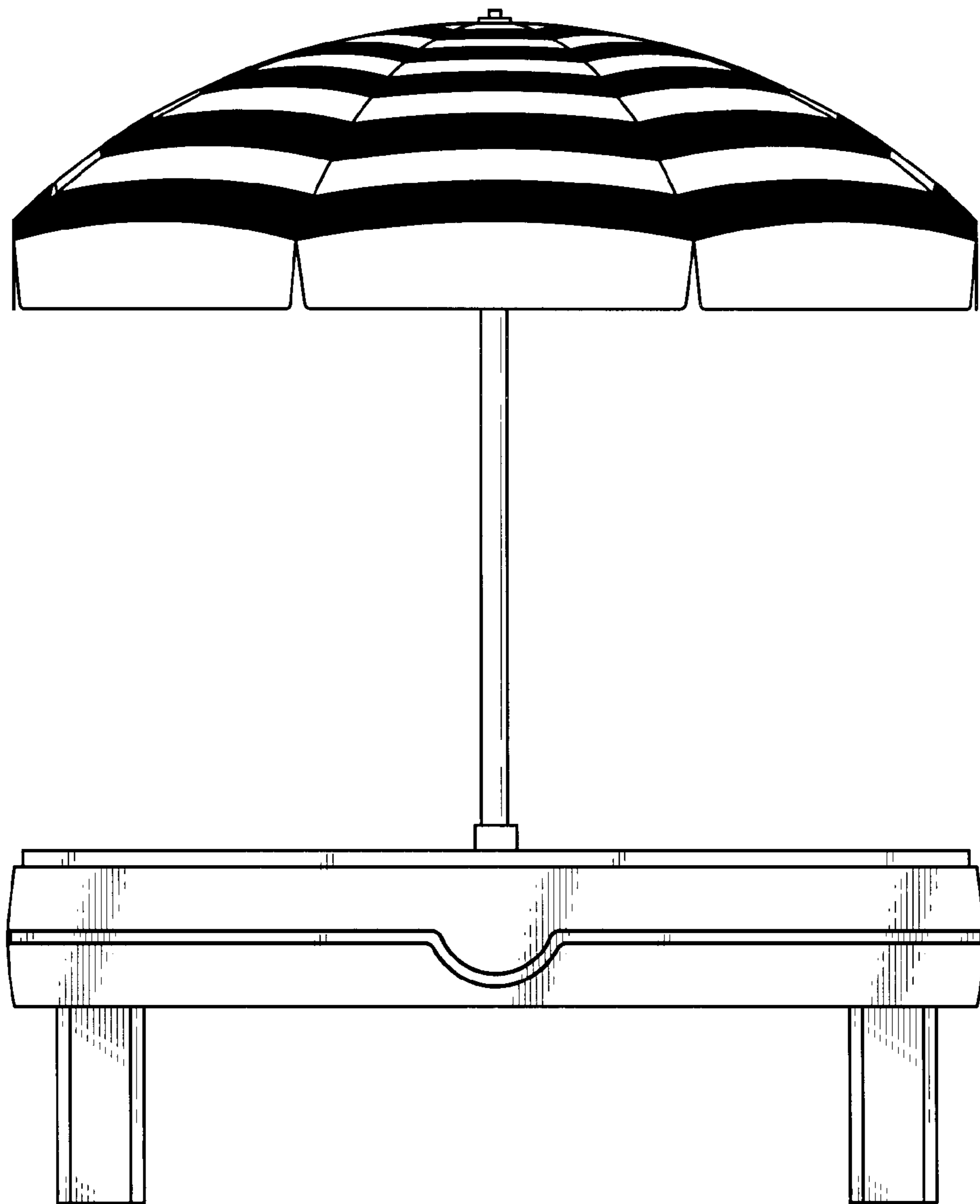


FIG-4

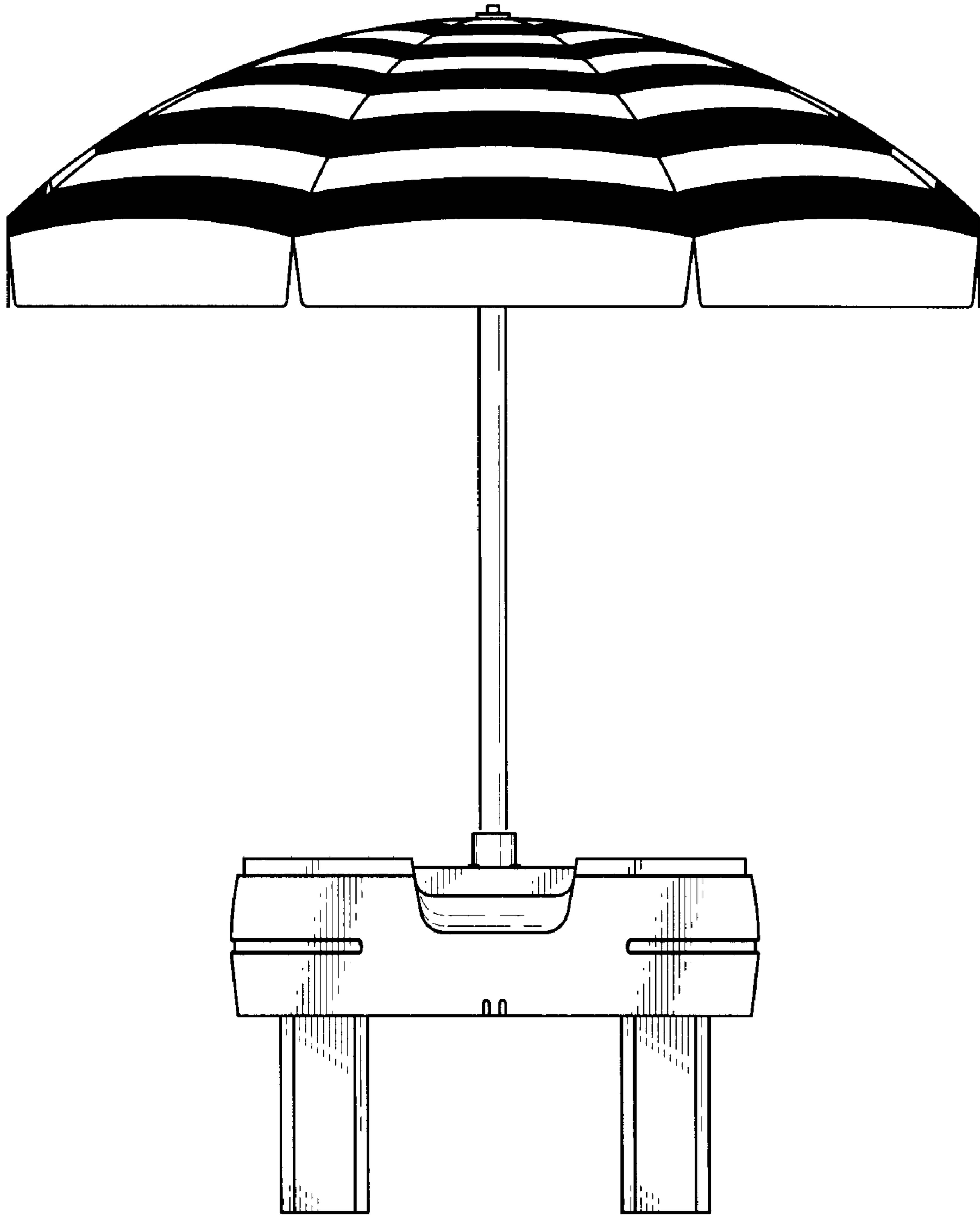


FIG-5



FIG-6

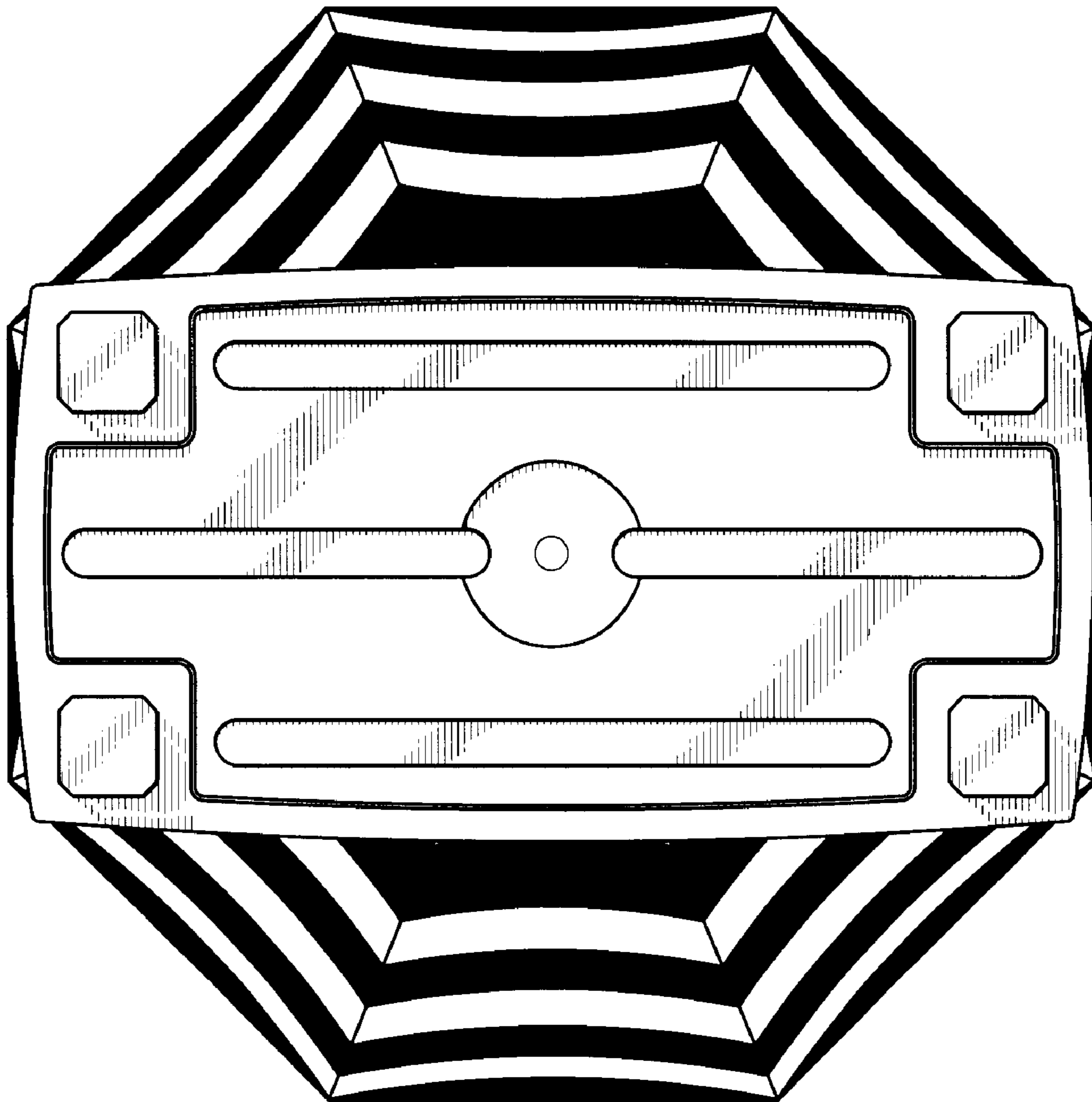


FIG-7

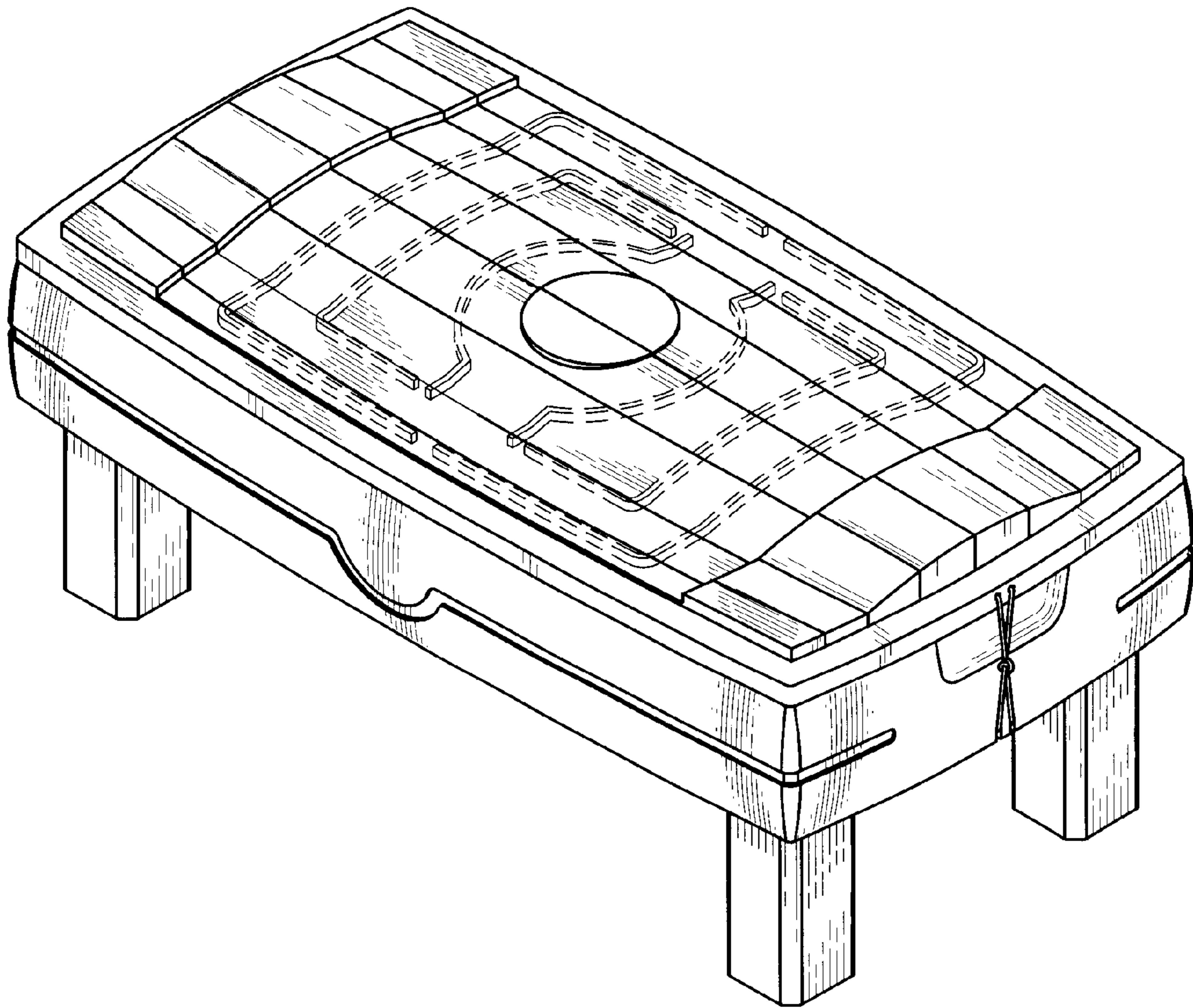


FIG-8