

US00D519181S

(12) **United States Design Patent**
Jones

(10) **Patent No.:** **US D519,181 S**

(45) **Date of Patent:** **** Apr. 18, 2006**

(54) **PUTTING PRACTICE GOLF CUP**

D344,565 S * 2/1994 Manzione D21/790
D349,321 S * 8/1994 Eversole D21/790

(76) **Inventor:** **William Jones**, 104 Bull Run Rd.,
Brownsville, PA (US) 15417

* cited by examiner

(**) **Term:** **14 Years**

Primary Examiner—Mitchell Siegel

(74) *Attorney, Agent, or Firm*—Albert Peter Durigon

(21) **Appl. No.:** **29/224,103**

(57) **CLAIM**

(22) **Filed:** **Feb. 24, 2005**

The ornamental design for a putting practice golf cup, as shown and described.

(51) **LOC (8) Cl.** **21-02**

DESCRIPTION

(52) **U.S. Cl.** **D21/791**

(58) **Field of Classification Search** D21/789–791;
473/181, 174, 175, 179
See application file for complete search history.

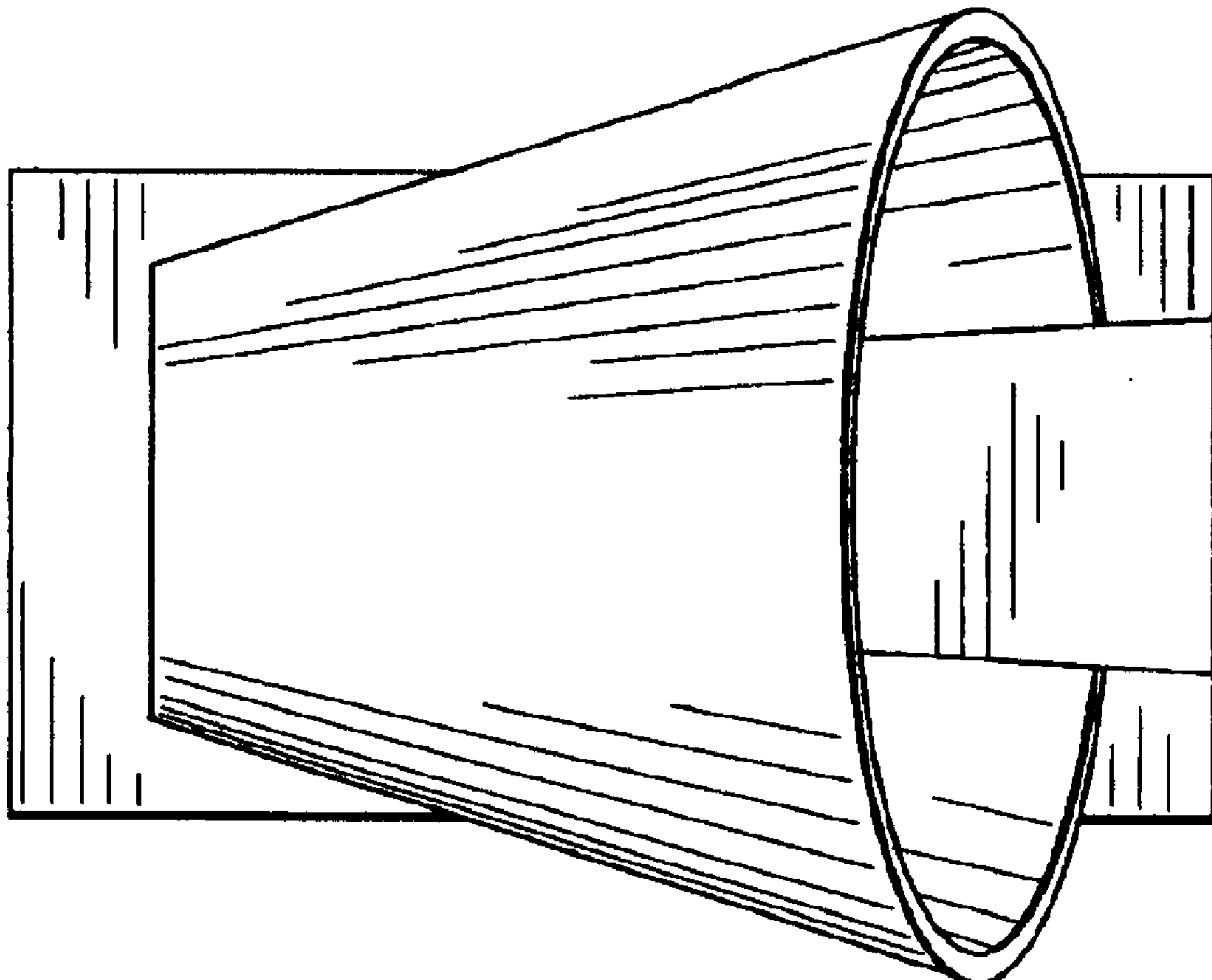
FIG. 1 is a plan view of the top of the novel putting practice golf cup of the present invention;
FIG. 2 is a bottom plan view of the putting practice golf cup of the present invention;
FIG. 3 is a side elevational view of the putting practice golf cup of the present invention, the other side being identical;
FIG. 4 is an end elevational view of the front of the putting practice golf cup of the present invention; and,
FIG. 5 is an end elevational view of the rear of the putting practice golf cup of the present invention.

(56) **References Cited**

U.S. PATENT DOCUMENTS

D192,513 S * 4/1962 Davenport D21/790
D206,333 S * 11/1966 Portteus D21/790
3,610,631 A * 10/1971 Mulherin 473/181

1 Claim, 2 Drawing Sheets



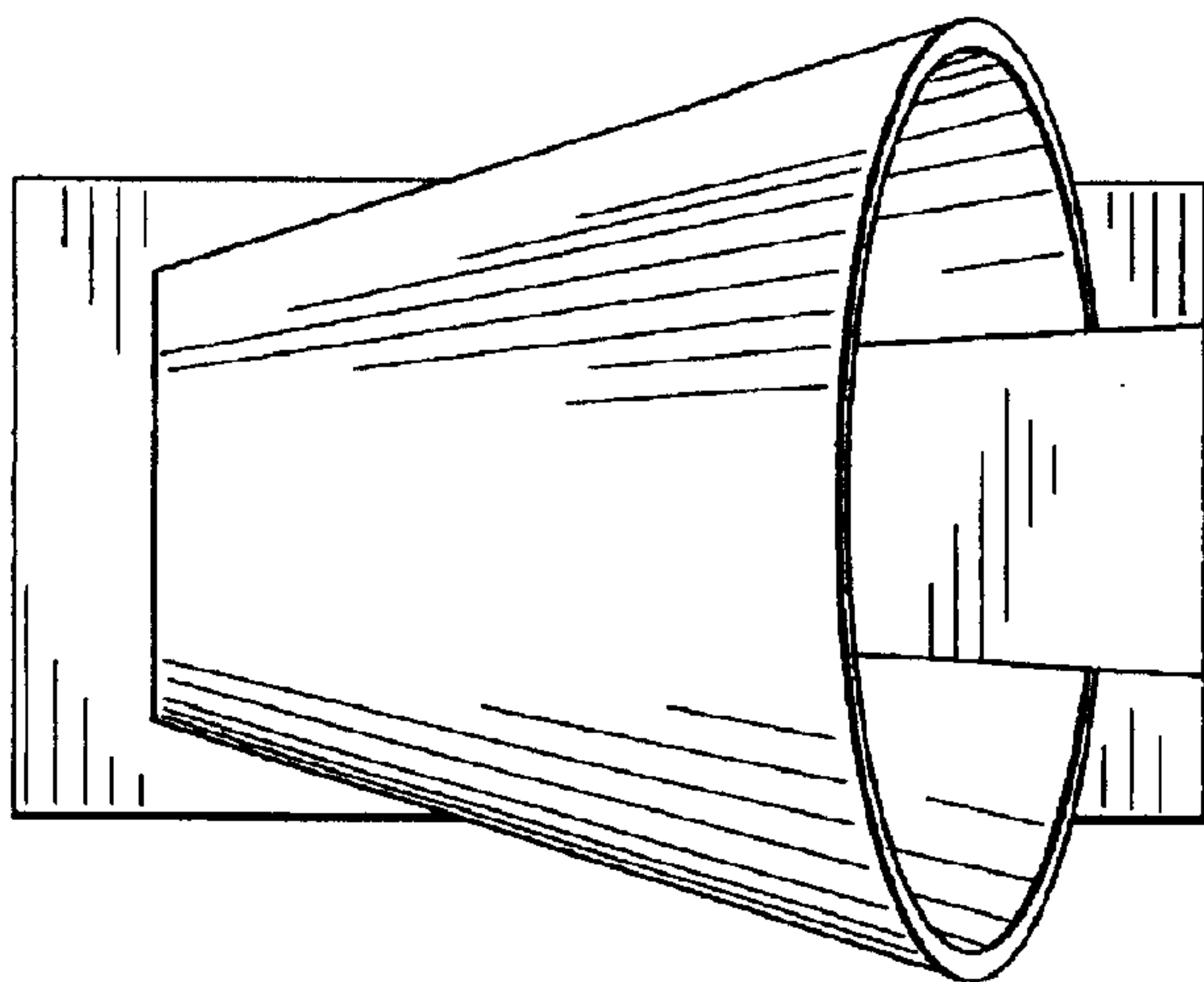


Fig. 1

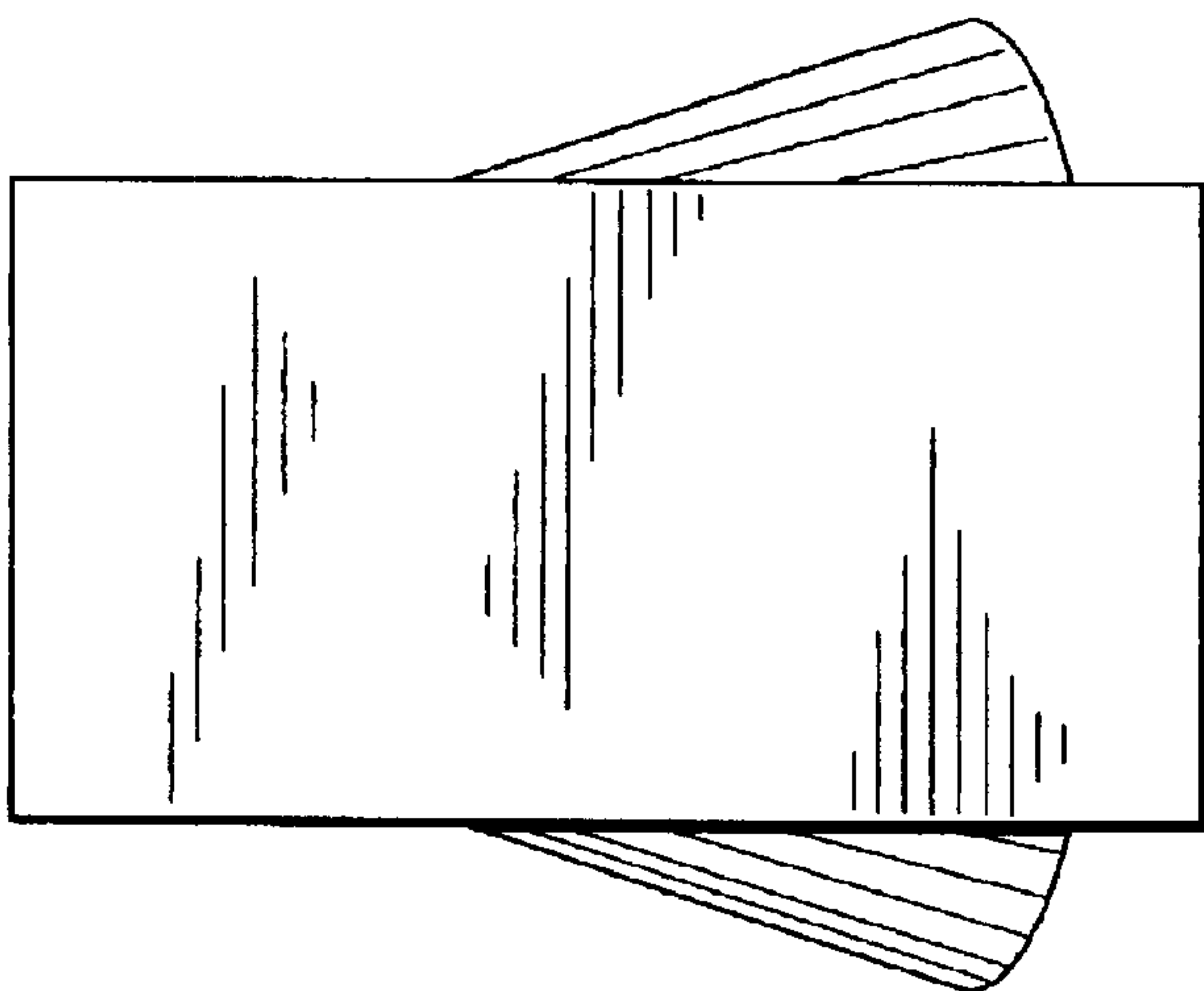


Fig. 2

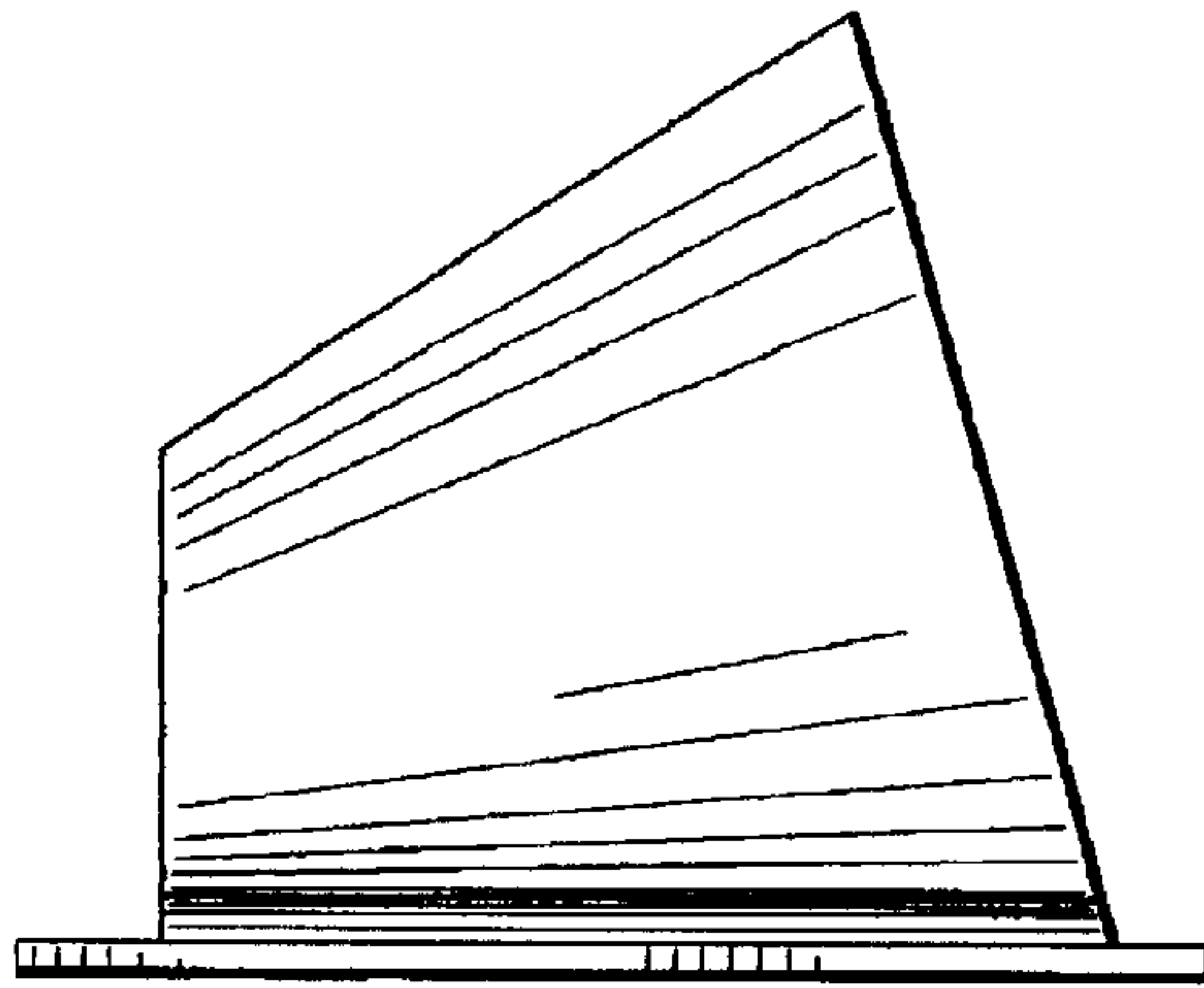


Fig. 3

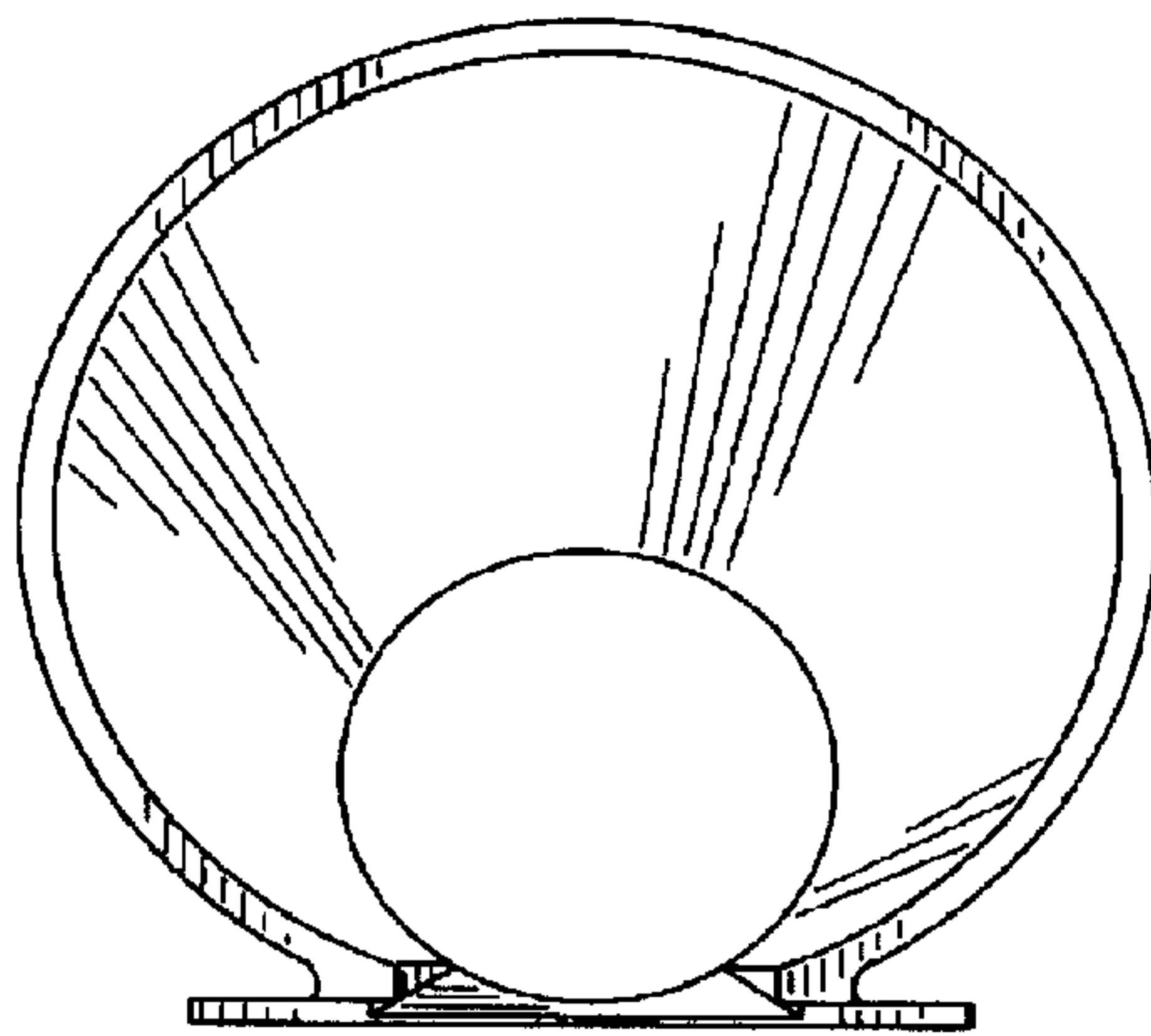


Fig. 4

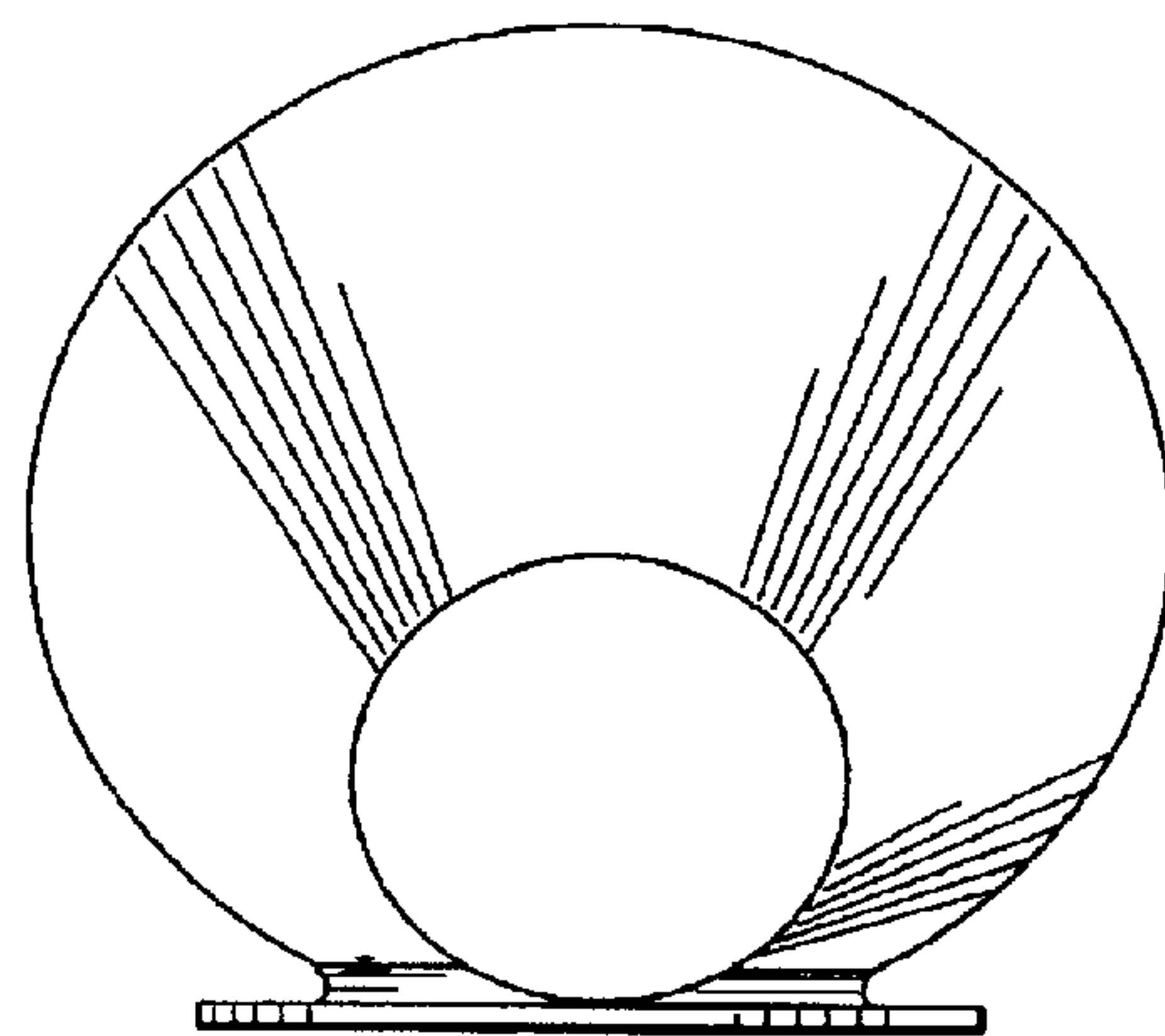


Fig. 5