



US00D519177S

(12) **United States Design Patent** (10) **Patent No.:** **US D519,177 S**
Barez et al. (45) **Date of Patent:** **** Apr. 18, 2006**

(54) **GOLF CLUB HEAD**

(75) Inventors: **Craig Kevin Barez**, Temecula, CA (US); **Sean Toulon**, Vista, CA (US); **Robert Michael Nunez**, San Pedro, CA (US); **Joseph H. Hoffman**, Carlsbad, CA (US); **Allan C. Saliba**, Oceanside, CA (US); **Todd P. Beach**, San Diego, CA (US); **Sherry L. Jones**, Pataskala, OH (US); **Paul P. Kolada**, Columbus, OH (US)

(73) Assignee: **Taylor Made Golf Company, Inc.**, Carlsbad, CA (US)

(**) Term: **14 Years**

(21) Appl. No.: **29/214,240**

(22) Filed: **Sep. 28, 2004**

(51) **LOC (8) Cl.** **21-02**

(52) **U.S. Cl.** **D21/733**

(58) **Field of Classification Search** D21/733, D21/752, 759; 473/324-331, 343-346
See application file for complete search history.

(56) **References Cited**

U.S. PATENT DOCUMENTS

4,332,388	A	6/1982	Crow	
5,213,329	A	5/1993	Okumoto et al.	
D343,665	S	1/1994	Feche et al.	
D361,356	S	8/1995	Feche et al.	
D396,512	S	7/1998	Besnard et al.	
D398,681	S	9/1998	Galy	
5,938,541	A	8/1999	Allen et al.	
D426,604	S	6/2000	Besnard et al.	
6,089,994	A	7/2000	Sun	
6,149,534	A	11/2000	Peters et al.	
D457,212	S	5/2002	Yamane et al.	
D470,555	S	* 2/2003	Burnett et al.	D21/752
D471,246	S	* 3/2003	Jones et al.	D21/752
D482,092	S	* 11/2003	Imamoto	D21/759
D482,093	S	* 11/2003	Imamoto	D21/759
D490,488	S	* 5/2004	Hoffmann et al.	D21/752

D498,508	S	* 11/2004	Antonious	D21/752
D499,158	S	* 11/2004	Imamoto	D21/752
D501,235	S	* 1/2005	Imamoto	D21/752
D507,615	S	* 7/2005	Imamoto	D21/752
2002/0137576	A1	9/2002	Dammen	

OTHER PUBLICATIONS

2003 Taylor Made Catalog, 7 pages.
2004 Taylor Made Catalog, 8 pages.
Rob Sauerhaft, Club '04 Test, Golf Magazine, May 2004, pp. 119-134.

* cited by examiner

Primary Examiner—Mitchell Siegel

(74) *Attorney, Agent, or Firm*—Sheppard, Mullin, Richter & Hampton, LLP

(57) **CLAIM**

The ornamental design for a golf club head, as shown and described.

DESCRIPTION

FIG. 1 is a front elevational view of an embodiment of a golf club head in accordance with our new design.

FIG. 2 is a rear elevational view of the golf club head of FIG. 1.

FIG. 3 is a top plan view of the golf club head of FIG. 1.

FIG. 4 is a bottom plan view of the golf club head of FIG. 1.

FIG. 5 is a right side elevational view of the golf club head of FIG. 1.

FIG. 6 is a left side elevational view of the golf club head of FIG. 1.

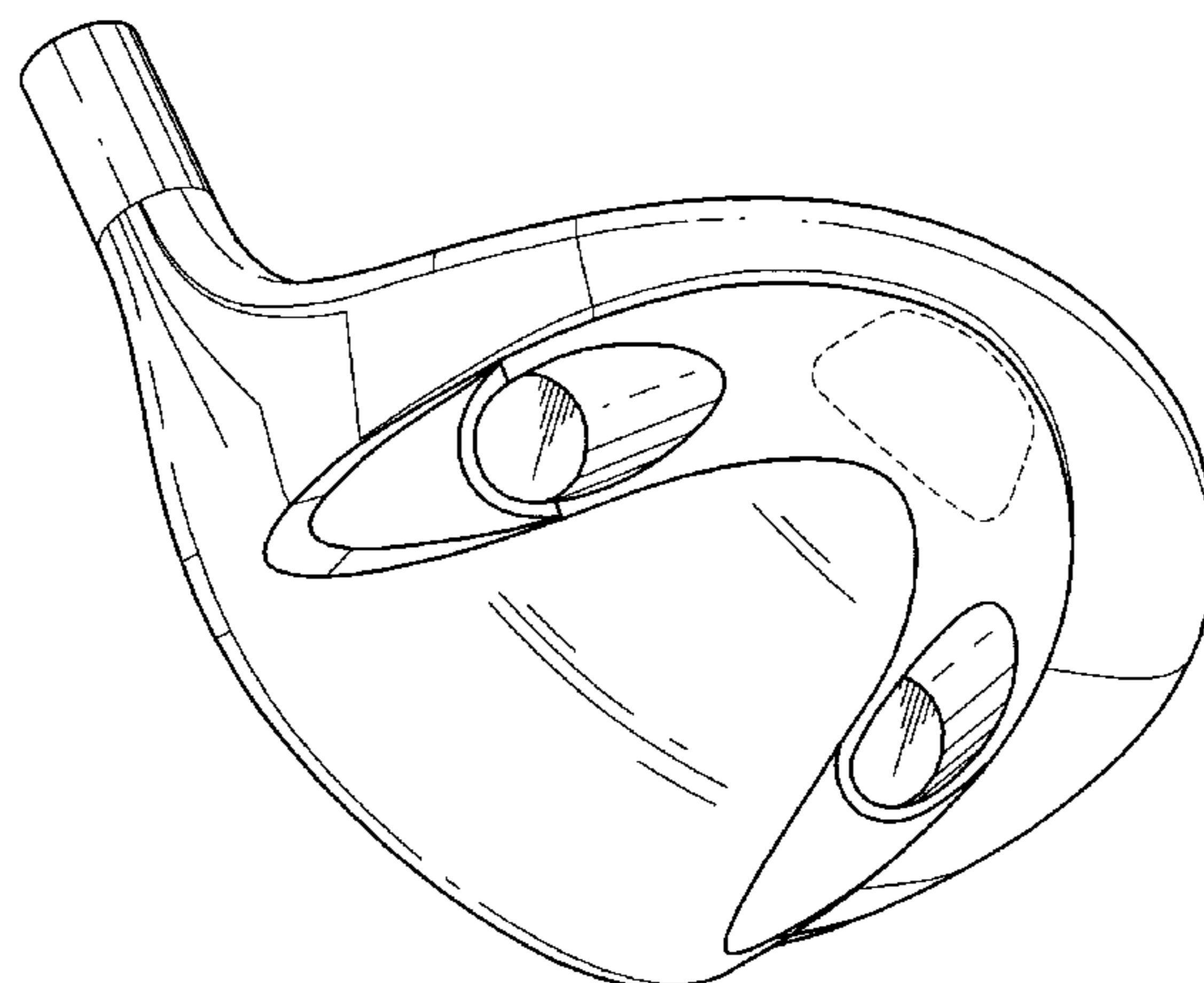
FIG. 7 is a top left perspective view of the golf club head of FIG. 1.

FIG. 8 is a top right perspective view of the golf club head of FIG. 1; and,

FIG. 9 is a bottom right perspective view of the golf club head of FIG. 1.

The broken line showing is for illustrative purposes only and forms no part of the claimed design.

1 Claim, 5 Drawing Sheets



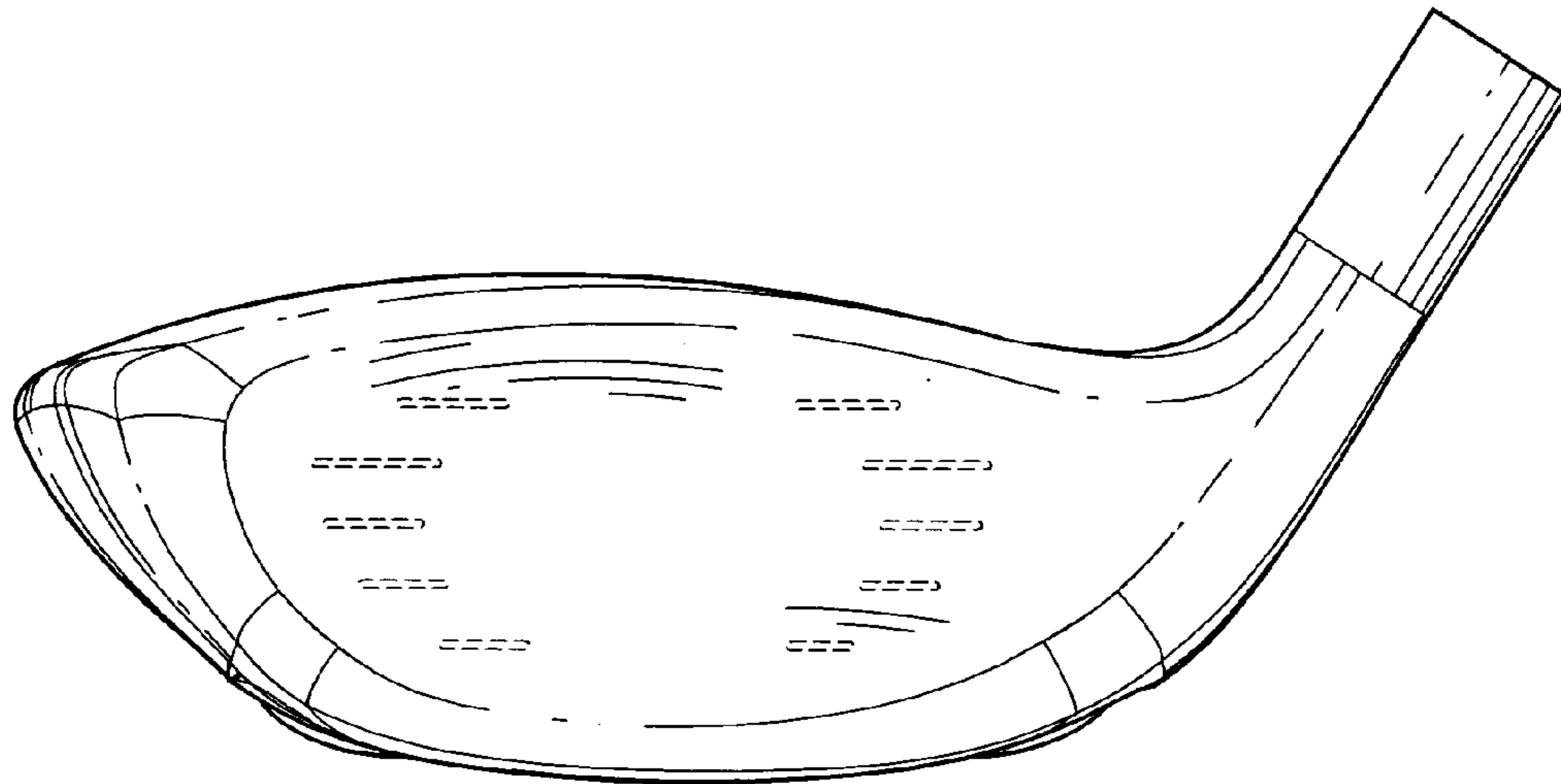


FIG. 1

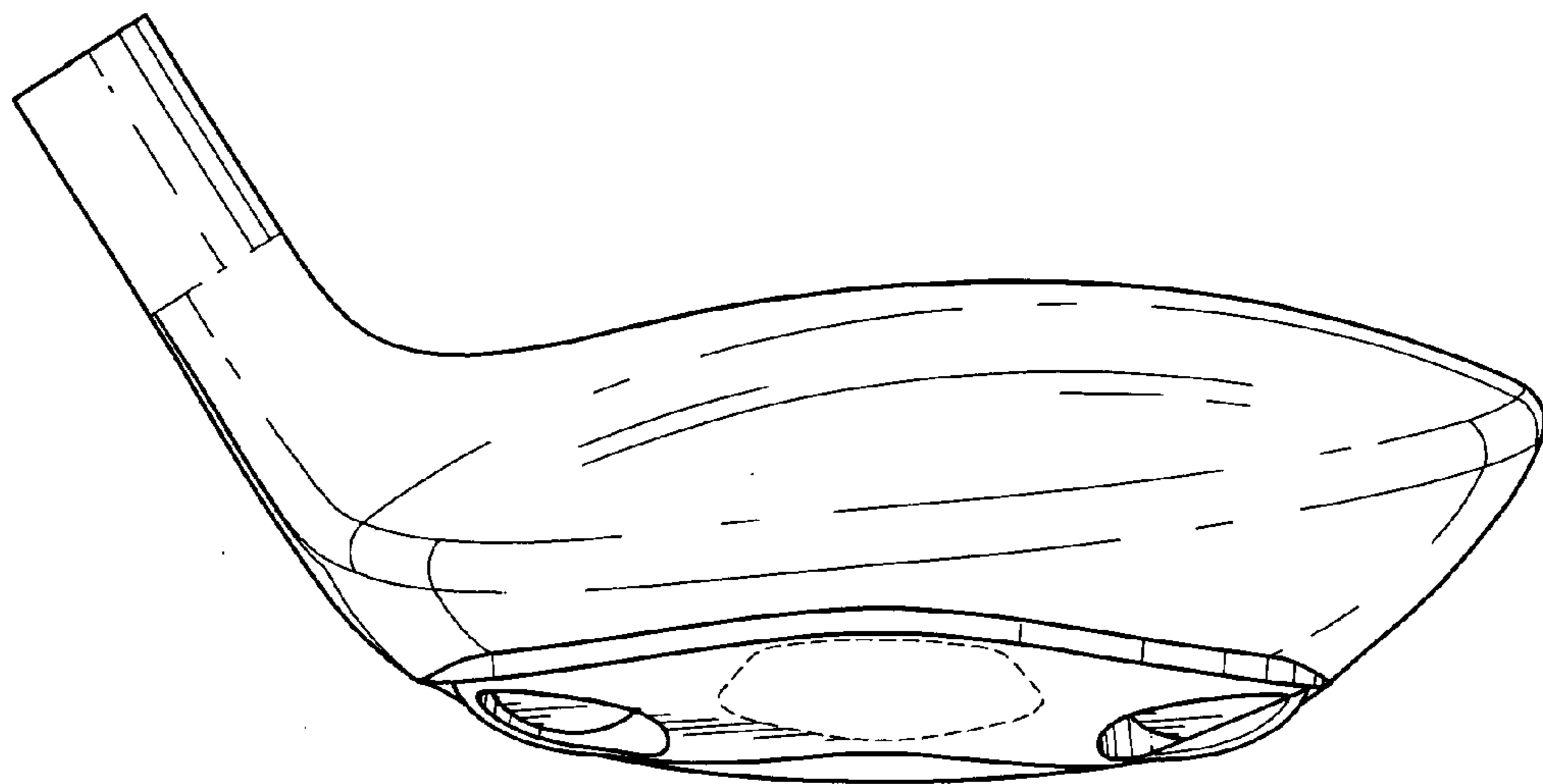


FIG. 2

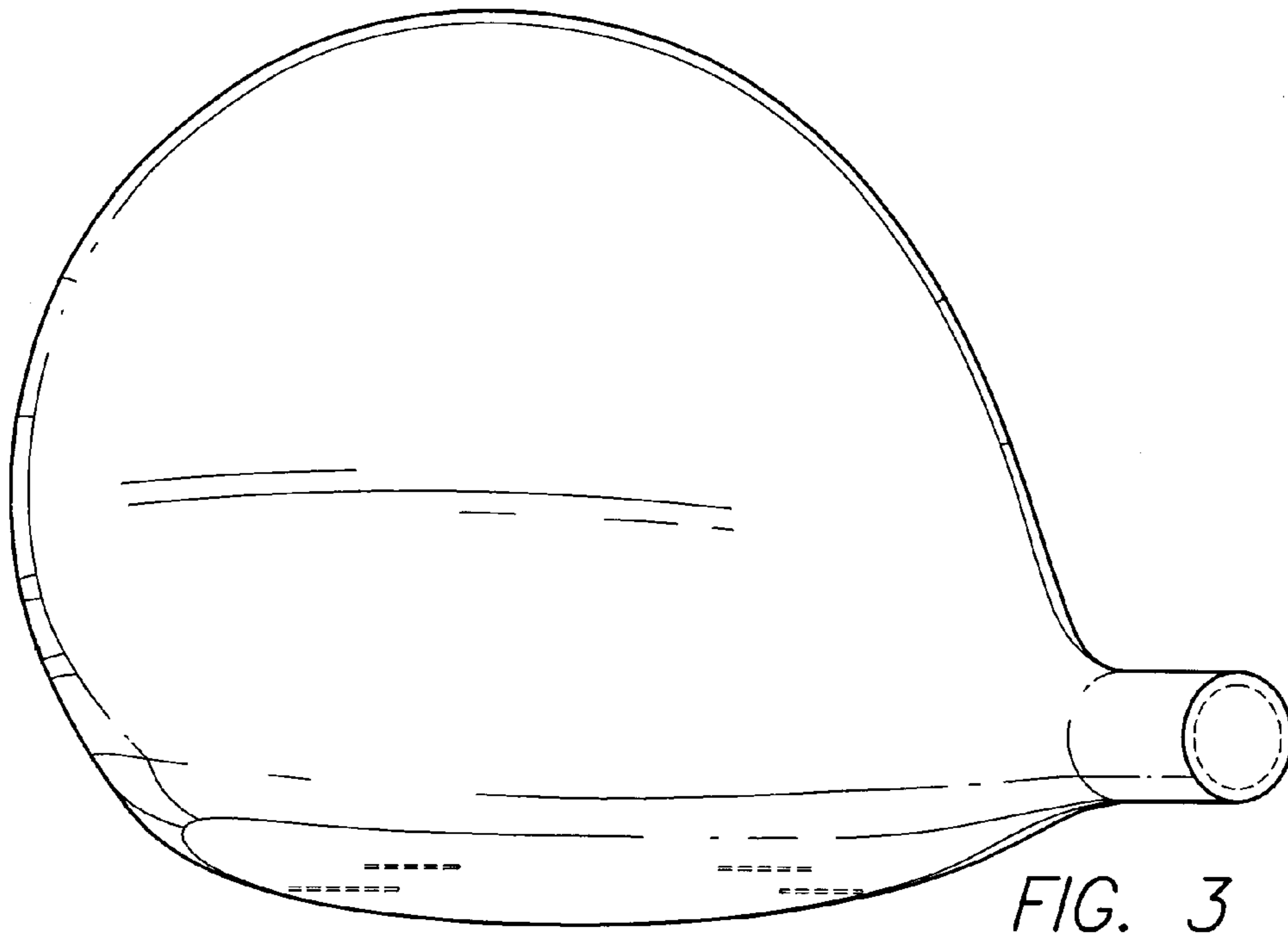


FIG. 3

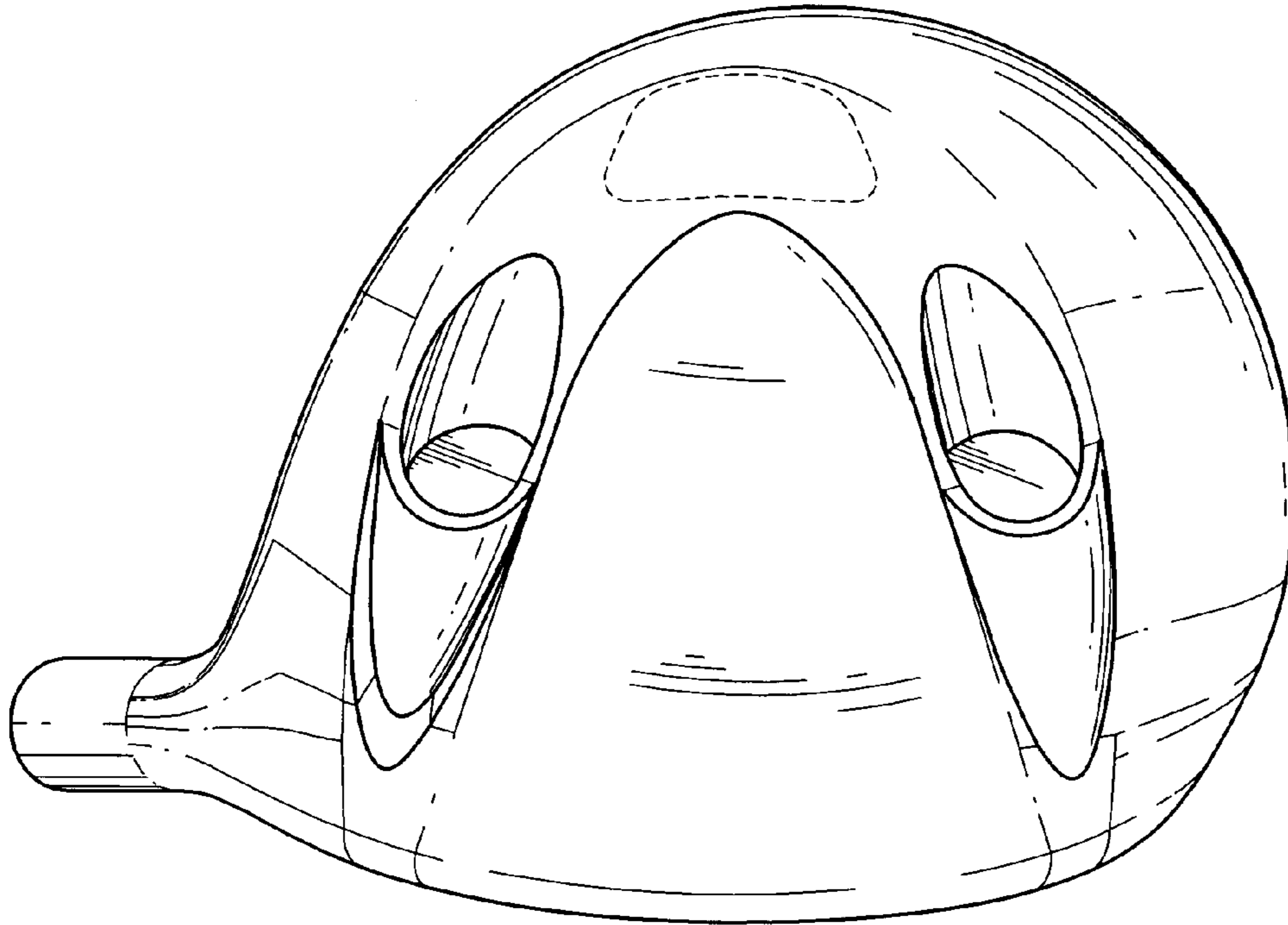


FIG. 4

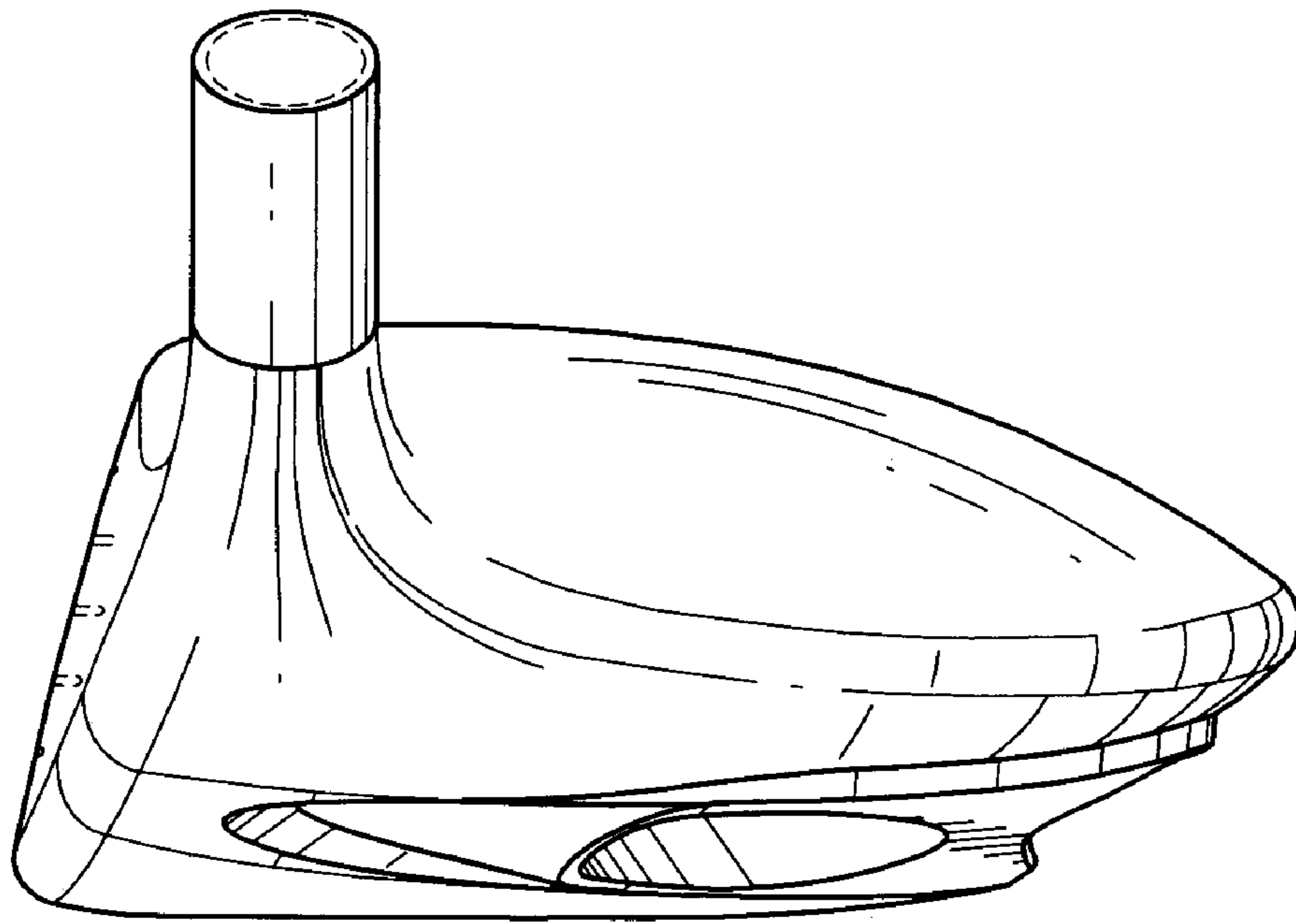


FIG. 5

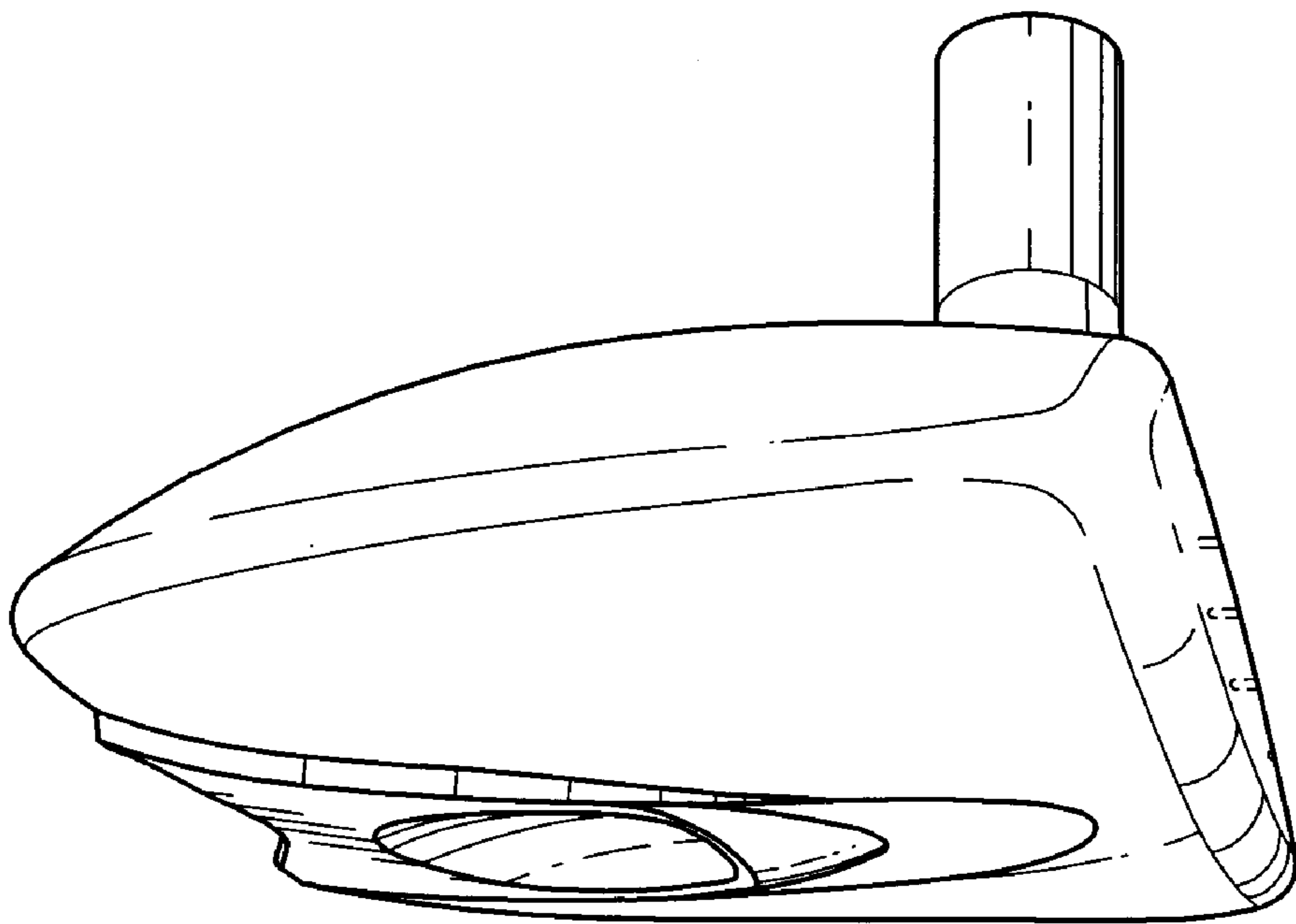


FIG. 6

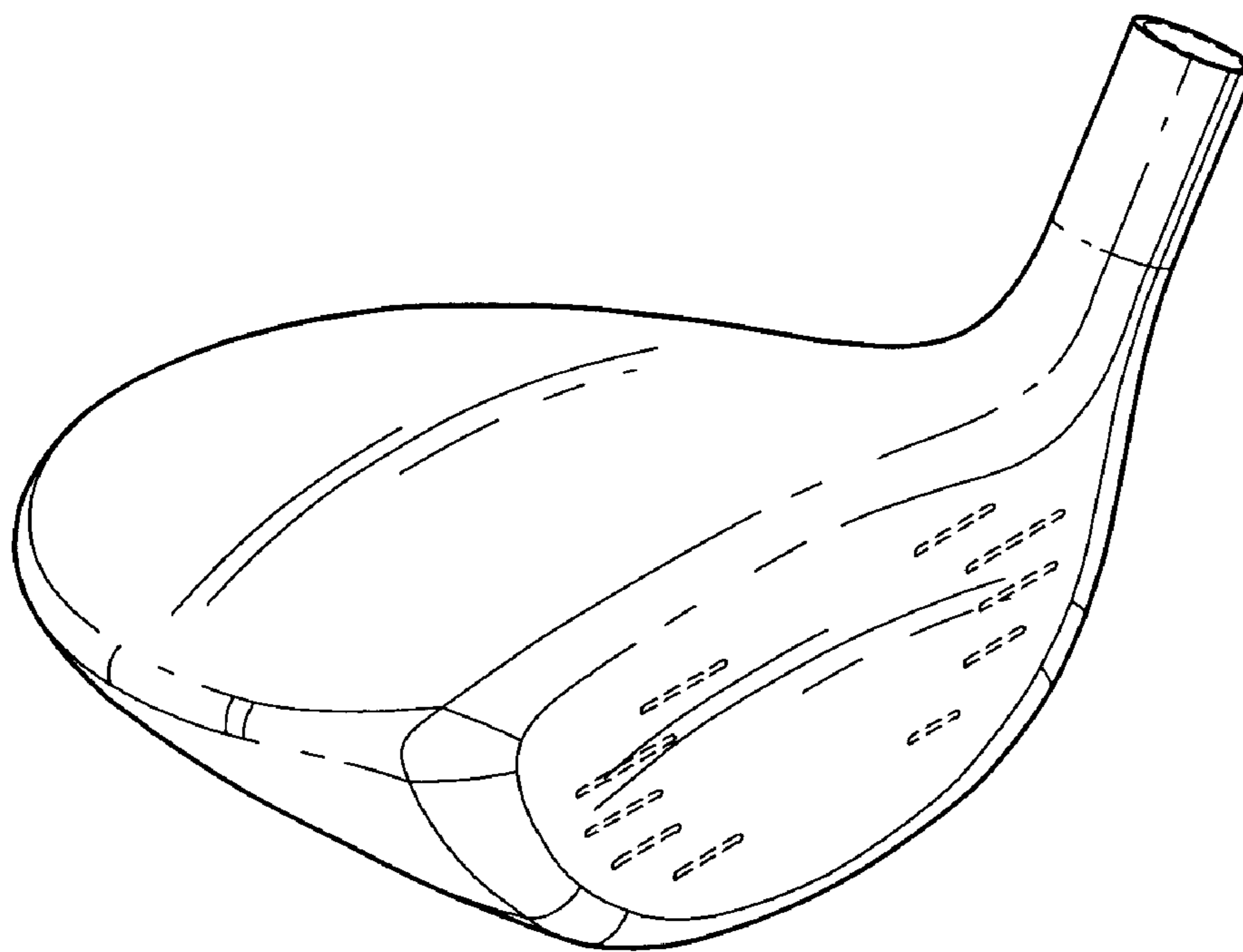


FIG. 7

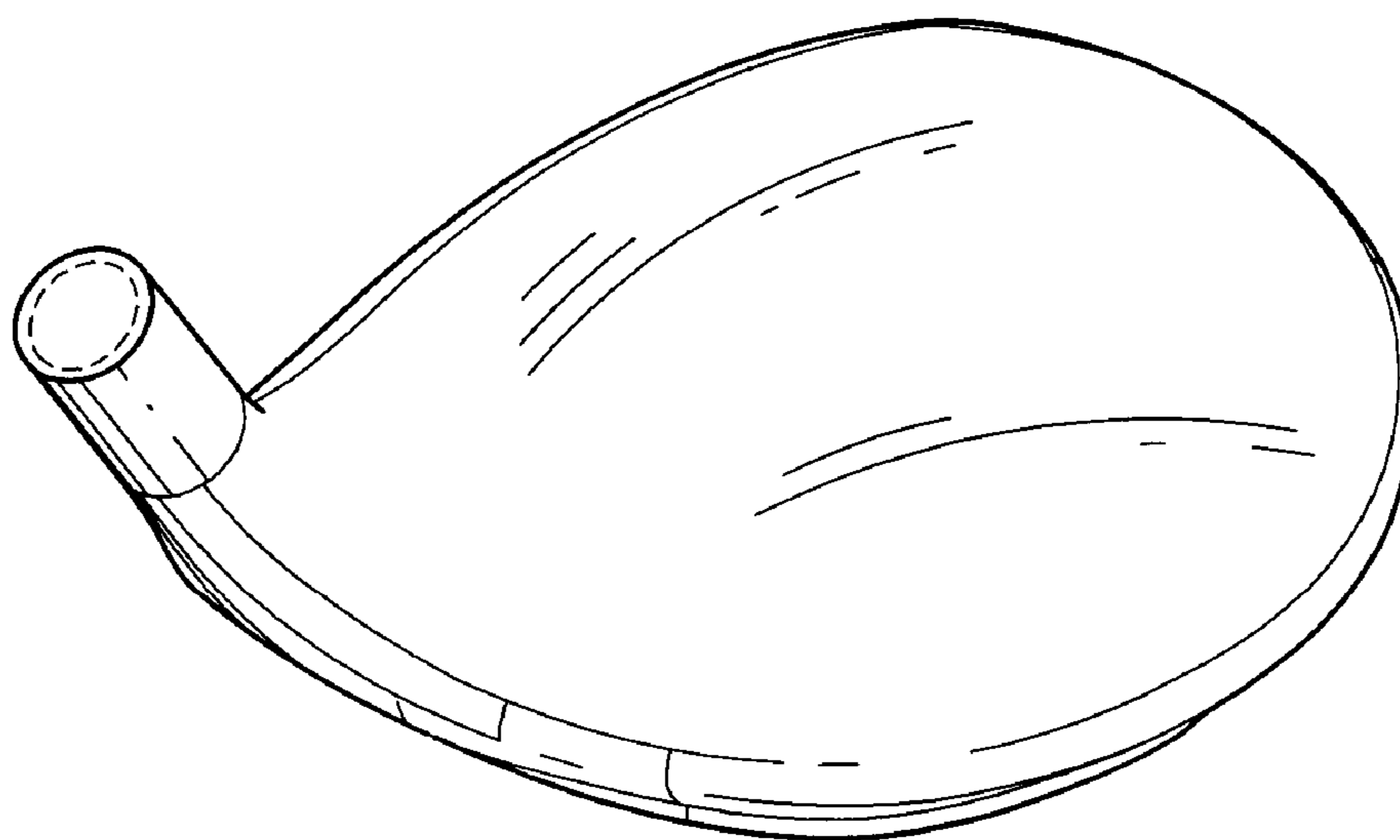


FIG. 8

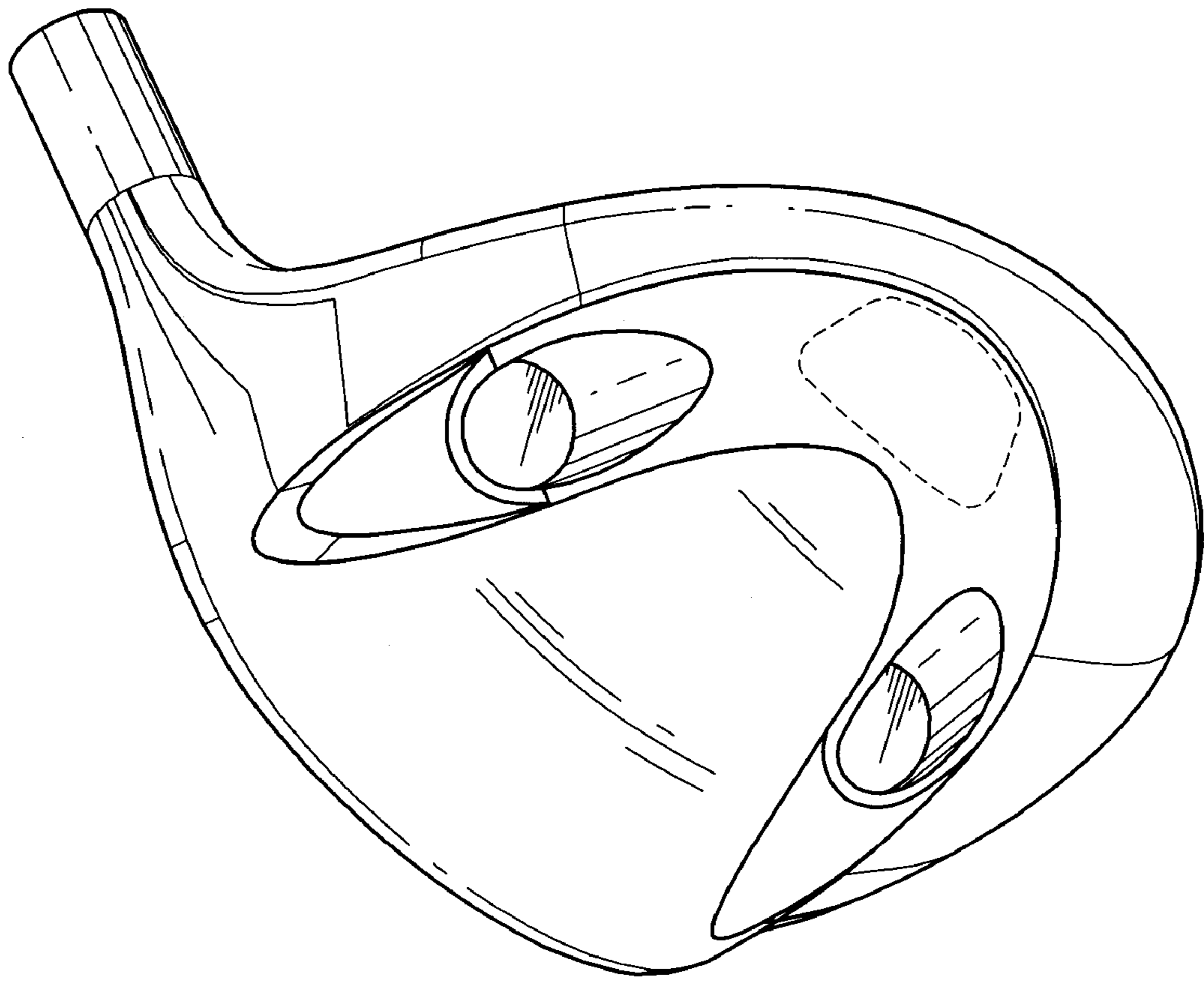


FIG. 9