



US00D519173S

(12) **United States Design Patent**  
**Nalley**

(10) **Patent No.:** **US D519,173 S**

(45) **Date of Patent:** **\*\* Apr. 18, 2006**

(54) **WEIGHT STACK APPARATUS**

(76) **Inventor:** **Mark Nalley**, 41373 Avenida Delores,  
Murrieta, CA (US) 92562-7368

(\*\*) **Term:** **14 Years**

(21) **Appl. No.:** **29/227,244**

(22) **Filed:** **Apr. 8, 2005**

(51) **LOC (8) Cl.** ..... **21-02**

(52) **U.S. Cl.** ..... **D21/680; D21/694**

(58) **Field of Classification Search** ..... D21/662,  
D21/680, 681, 682, 683, 694, 675, 676; 482/93,  
482/98, 101, 106

See application file for complete search history.

(56) **References Cited**

**U.S. PATENT DOCUMENTS**

772,906 A	10/1904	Reach
1,052,962 A	2/1913	Reach
1,053,109 A	2/1913	Reach
3,647,209 A	3/1972	La Lanne
4,610,449 A	9/1986	Diercks
4,718,663 A	1/1988	Shepherd
5,242,347 A	9/1993	Keeton

5,306,221 A	4/1994	Itaru
D431,059 S	* 9/2000	Webber et al. .... D21/680
D462,729 S	* 9/2002	Lawson ..... D21/680
D464,094 S	* 10/2002	Fond ..... D21/681
6,629,910 B1	10/2003	Krull
6,632,161 B1	10/2003	Nir
6,814,708 B1	11/2004	Jennings

\* cited by examiner

*Primary Examiner*—Philip S. Hyder

(74) *Attorney, Agent, or Firm*—G. Donro Weber, Jr.

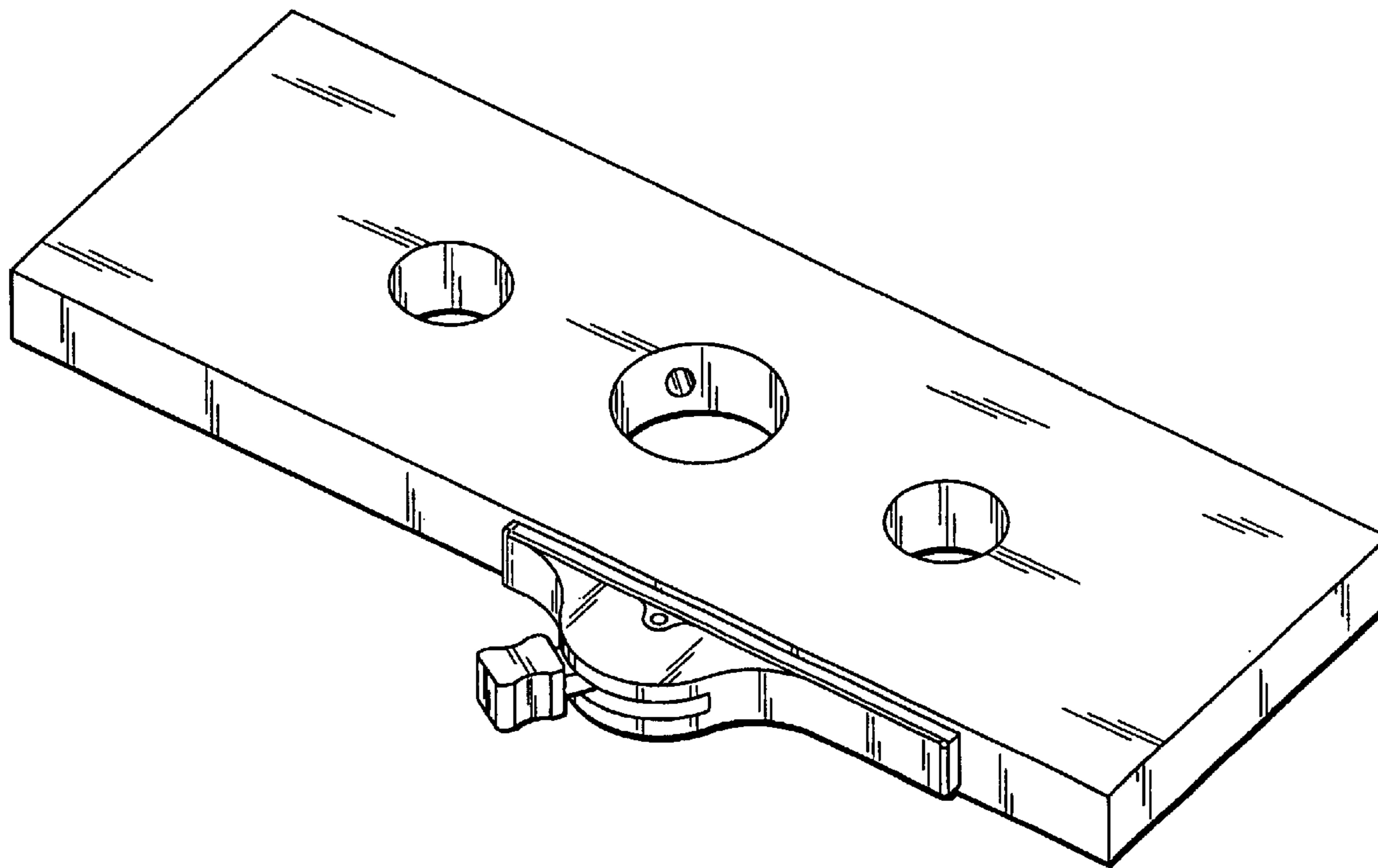
(57) **CLAIM**

The ornamental design for an weight stack apparatus, as shown and described.

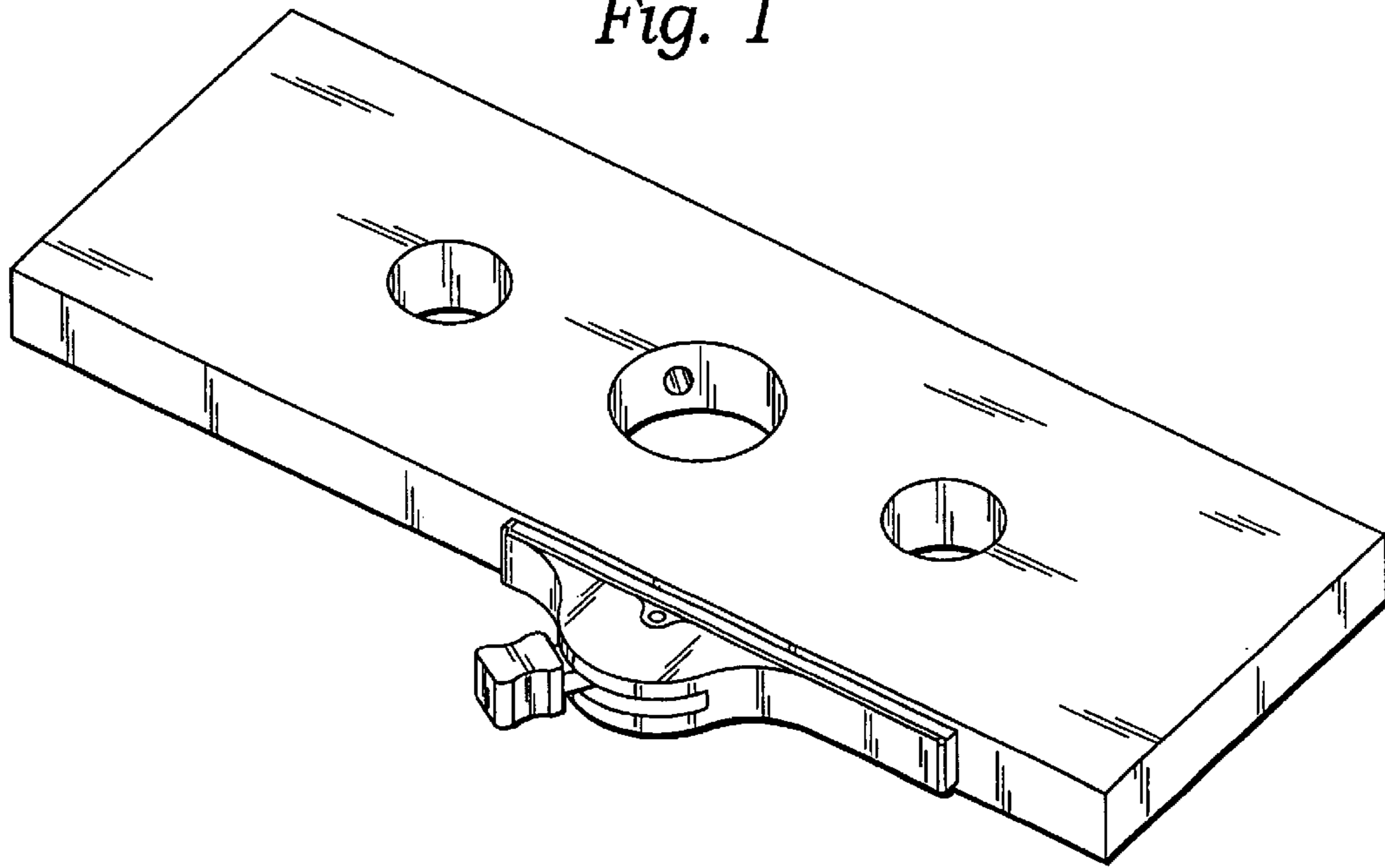
**DESCRIPTION**

FIG. 1 is a perspective view from the top, front and right side of a weight stack apparatus showing my new design; FIG. 2 is a top view of the weight stack apparatus, the bottom view being a mirror image; FIG. 3 is a front view of the weight stack apparatus; and, FIG. 4 is a left end view of the weight stack apparatus, the opposite end being a mirror image.

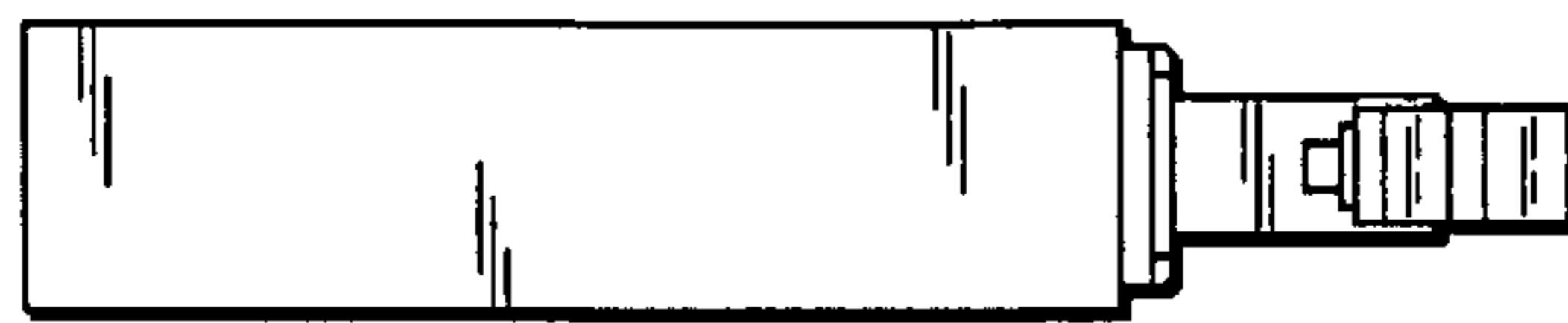
**1 Claim, 2 Drawing Sheets**



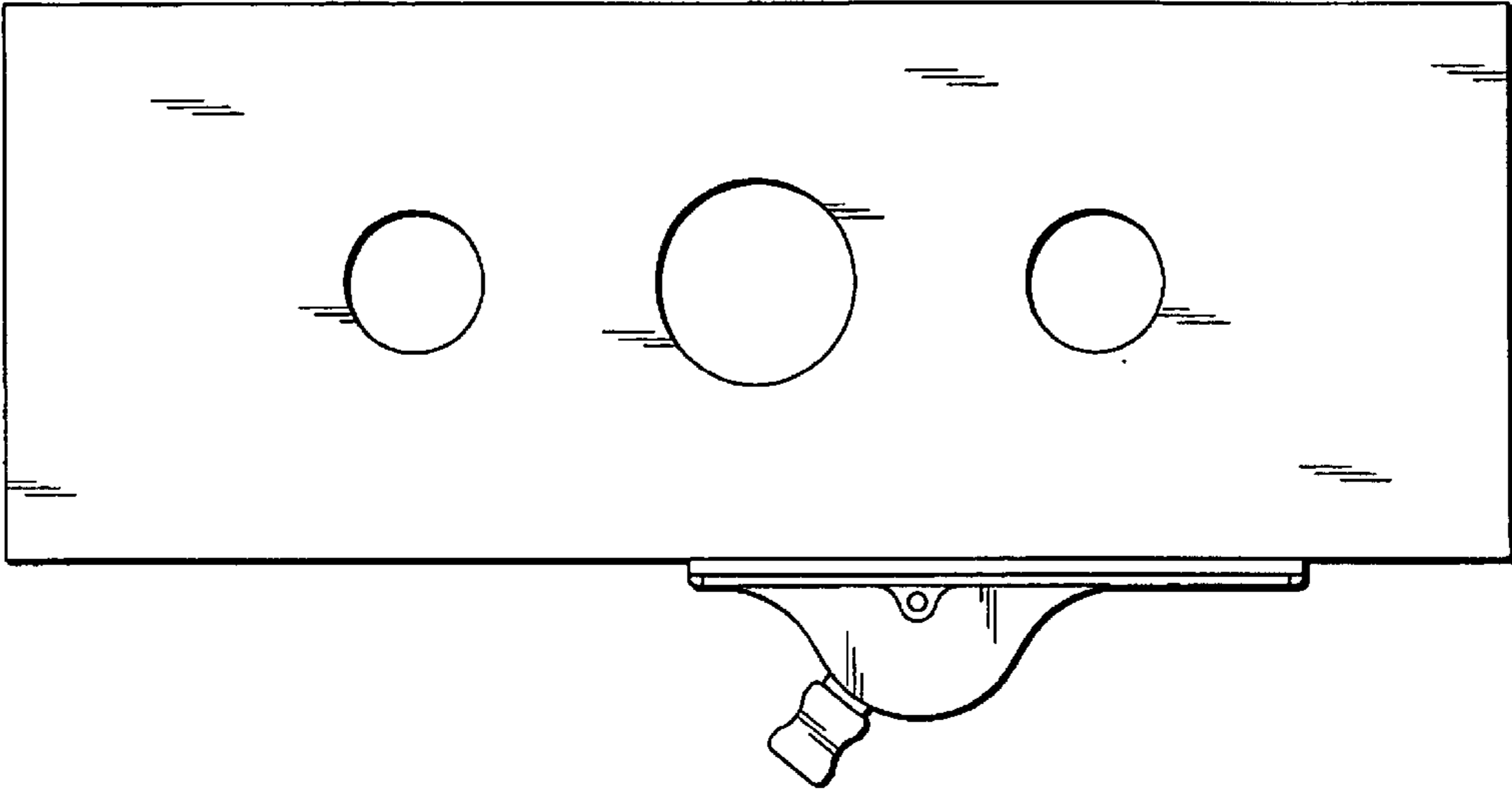
*Fig. 1*



*Fig. 4*



*Fig. 2*



*Fig. 3*

