



US00D519171S

(12) **United States Design Patent**
Kuo

(10) **Patent No.:** **US D519,171 S**

(45) **Date of Patent:** **** Apr. 18, 2006**

(54) **BICYCLE EXERCISER**

(76) Inventor: **Hai Pin Kuo**, No. 15, Lane 833, Wen Hsien Rd., Tainan (TW), 704

(**) Term: **14 Years**

(21) Appl. No.: **29/215,469**

(22) Filed: **Oct. 21, 2004**

(51) **LOC (8) Cl.** **21-02**

(52) **U.S. Cl.** **D21/663**

(58) **Field of Classification Search** D21/662,
D21/663, 664, 665, 666, 667, 668, 670; 482/51,
482/52, 53, 54, 57, 58

See application file for complete search history.

(56) **References Cited**

U.S. PATENT DOCUMENTS

D344,313 S	*	2/1994	Wu	D21/663
D349,932 S	*	8/1994	Ueda et al.	D21/663
D353,690 S	*	12/1994	Tsushi et al.	D21/663
D360,916 S	*	8/1995	Koga	D21/663
D366,298 S	*	1/1996	Wu	D21/663
D398,673 S	*	9/1998	Huang	D21/663

D399,894 S	*	10/1998	Chiu	D21/663
D401,644 S	*	11/1998	Chen	D21/663
D406,288 S	*	3/1999	Chen	D21/663
5,902,215 A	*	5/1999	Kuo	482/57
D444,515 S	*	7/2001	Moran et al.	D21/663
6,565,487 B1	*	5/2003	Kuo	482/57

* cited by examiner

Primary Examiner—Philip S. Hyder

(74) *Attorney, Agent, or Firm*—Bacon & Thomas, PLLC

(57) **CLAIM**

The ornamental design for a bicycle exerciser, as shown.

DESCRIPTION

FIG. 1 is a perspective view of a bicycle exerciser showing my new design:

FIG. 2 is a front side elevational view thereof;

FIG. 3 is a rear side elevational view thereof;

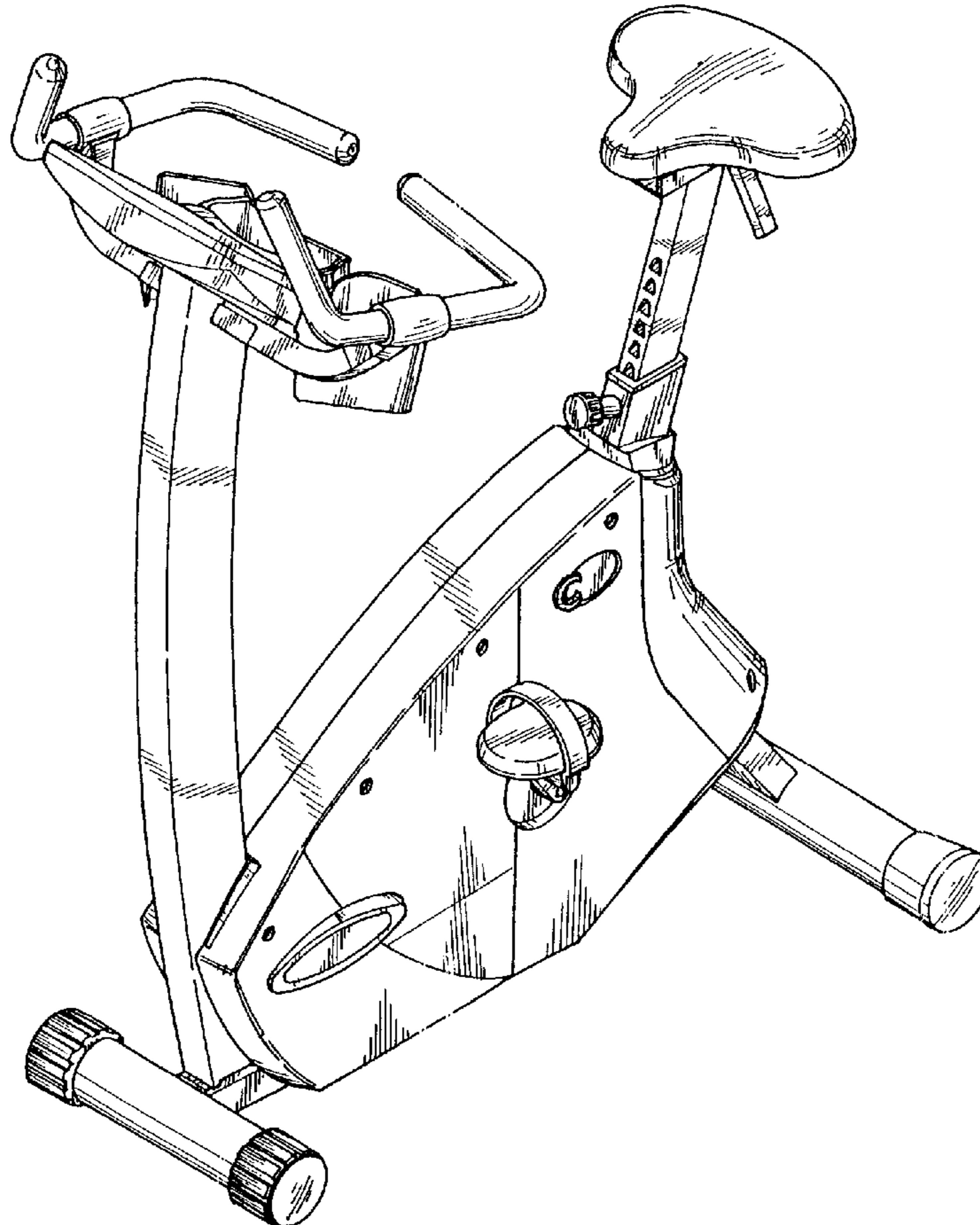
FIG. 4 is a left view thereof;

FIG. 5 is a right view thereof;

FIG. 6 is a top plan view thereof; and,

FIG. 7 is a bottom plan view thereof.

1 Claim, 7 Drawing Sheets



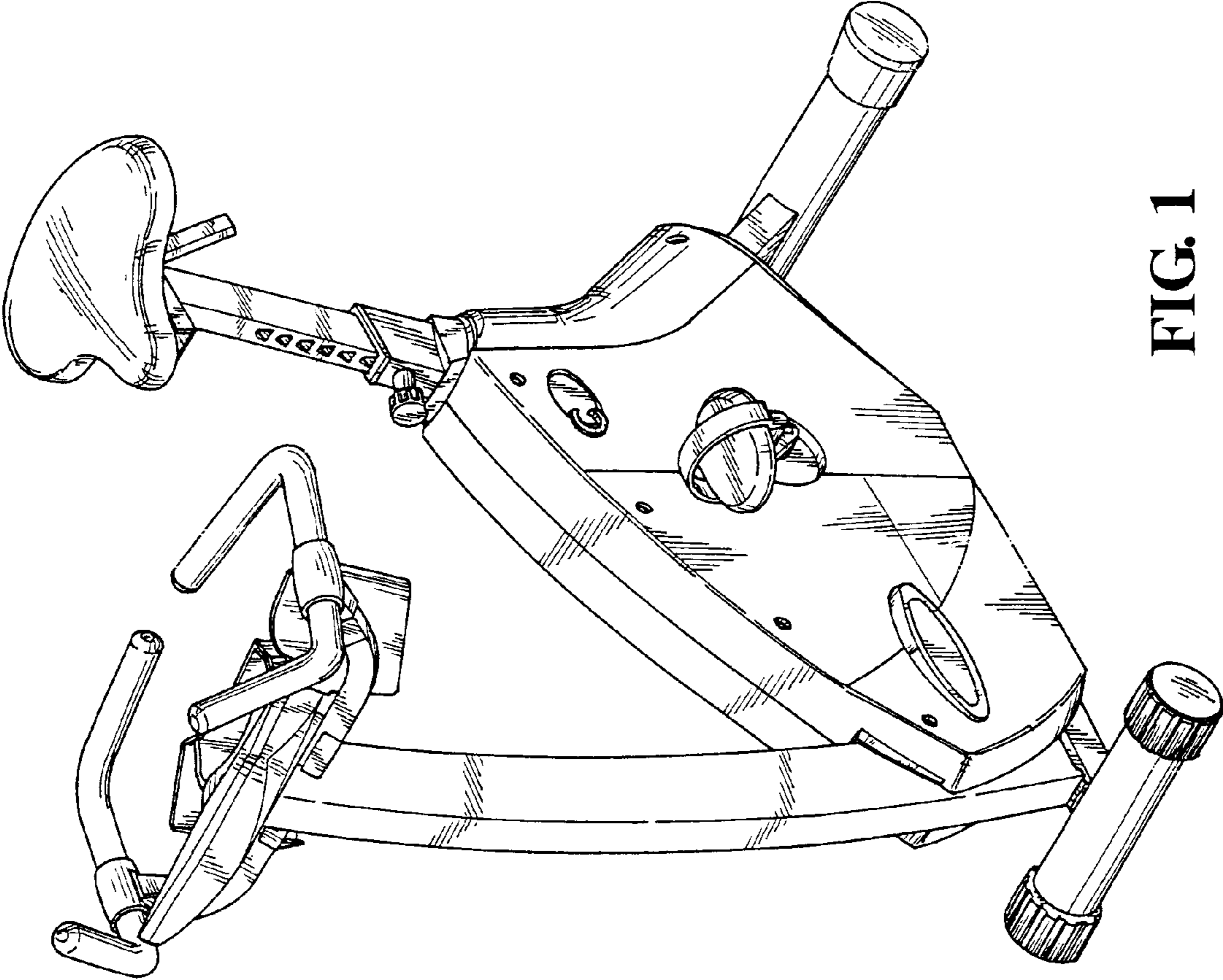


FIG. 1

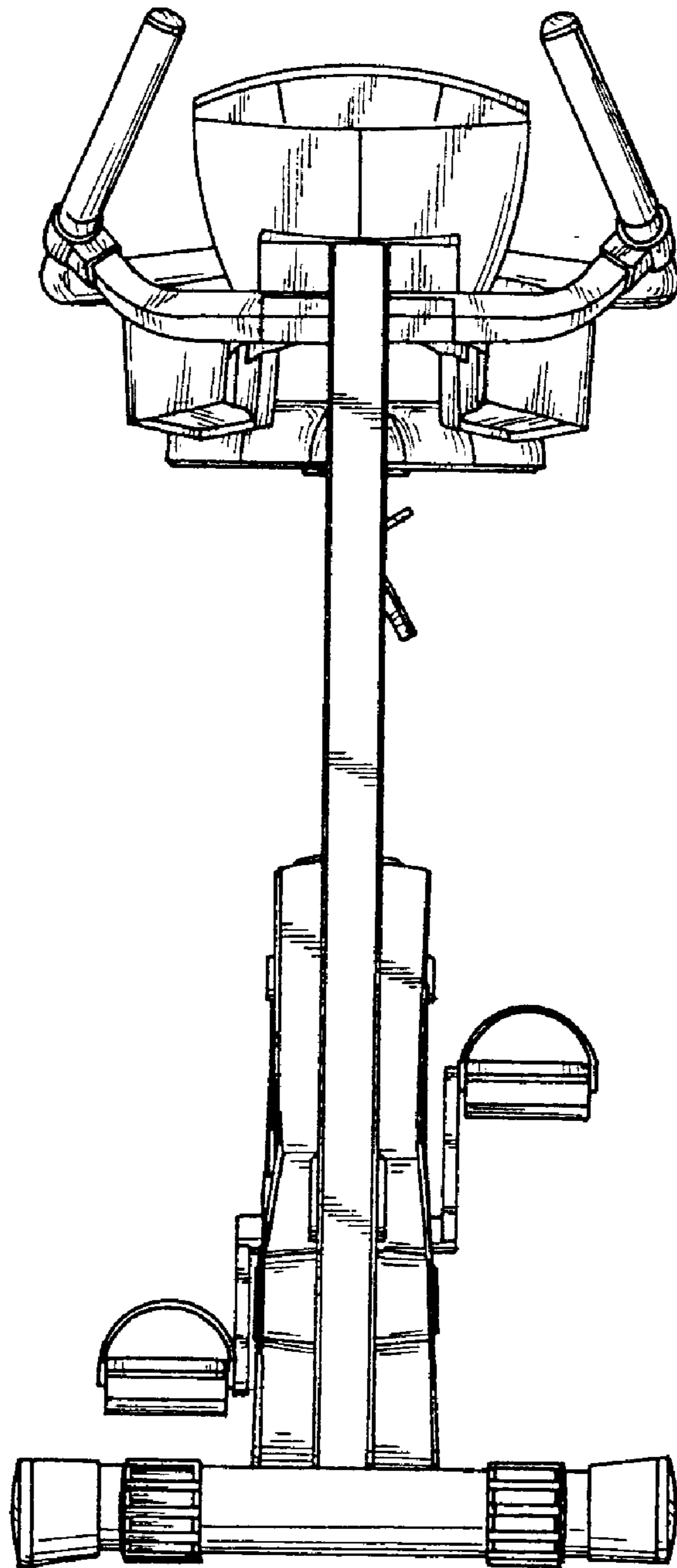


FIG. 2

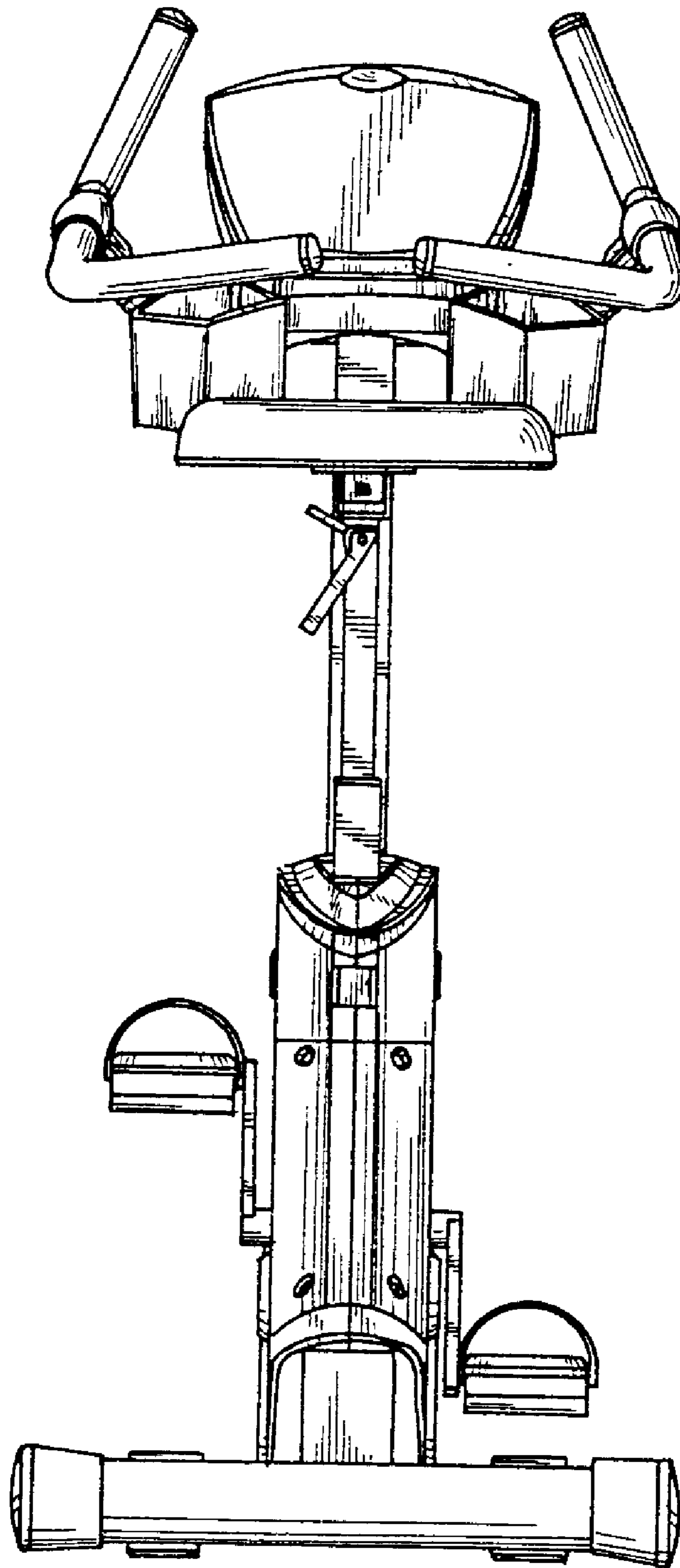


FIG. 3

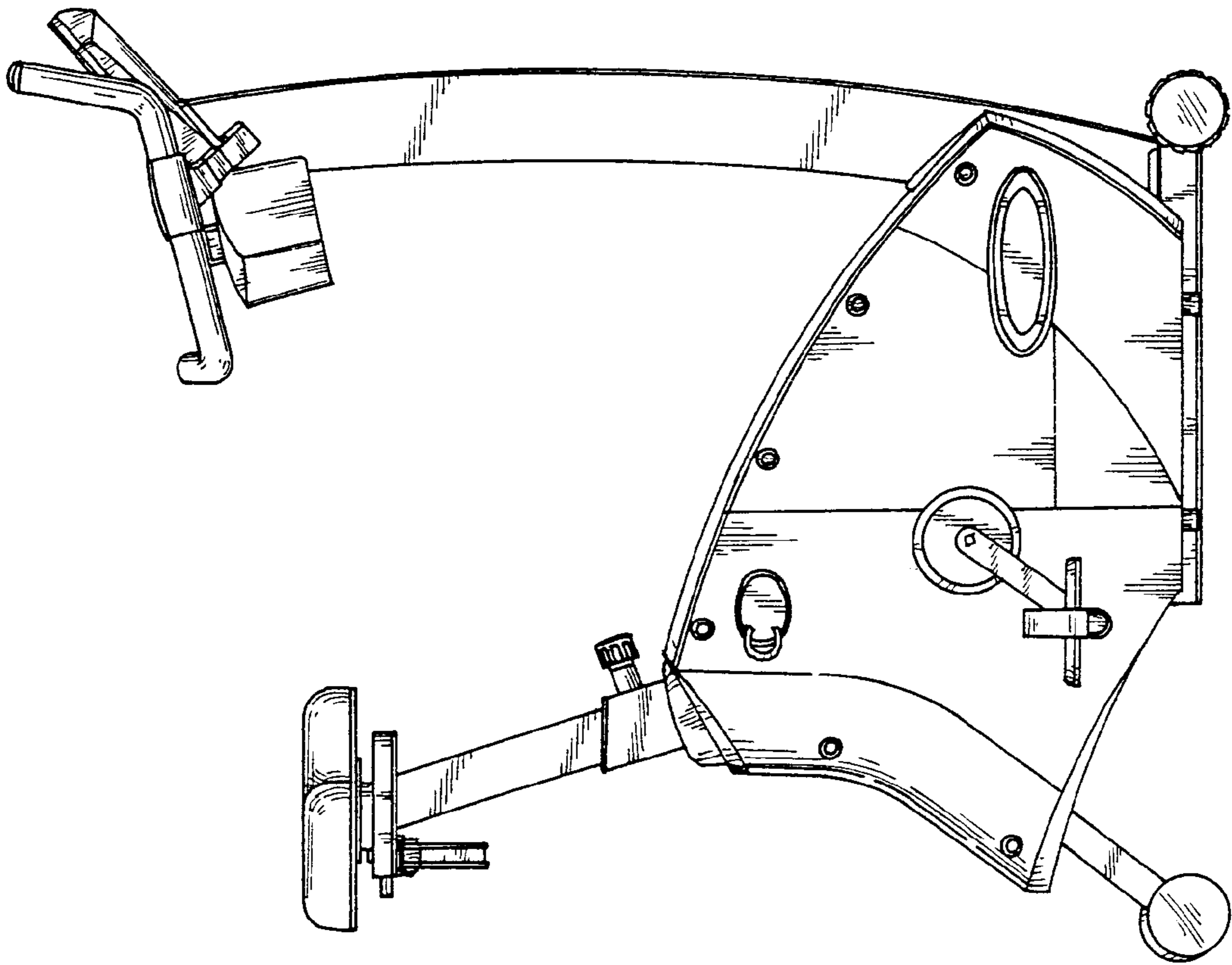


FIG. 4

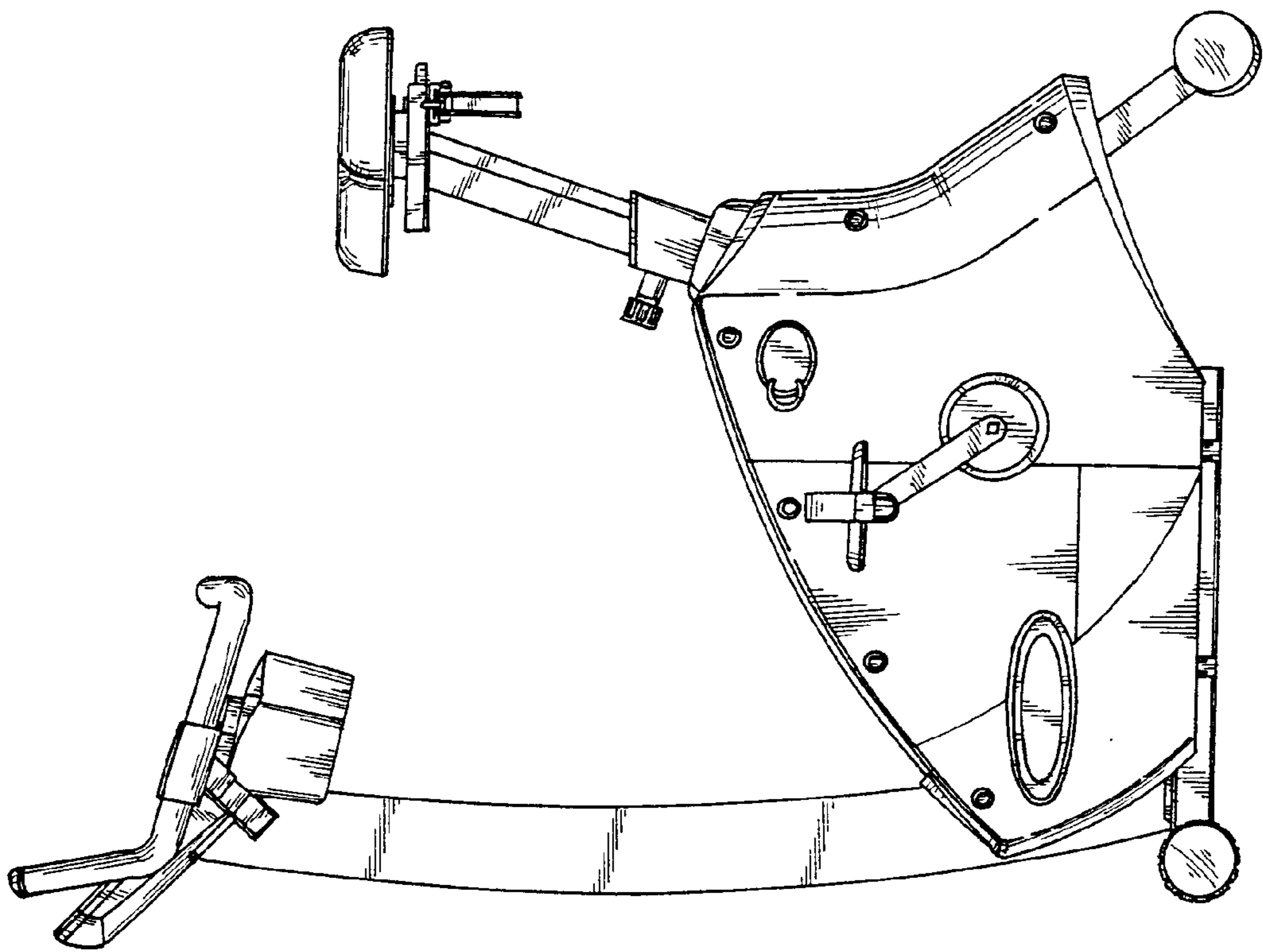


FIG. 5

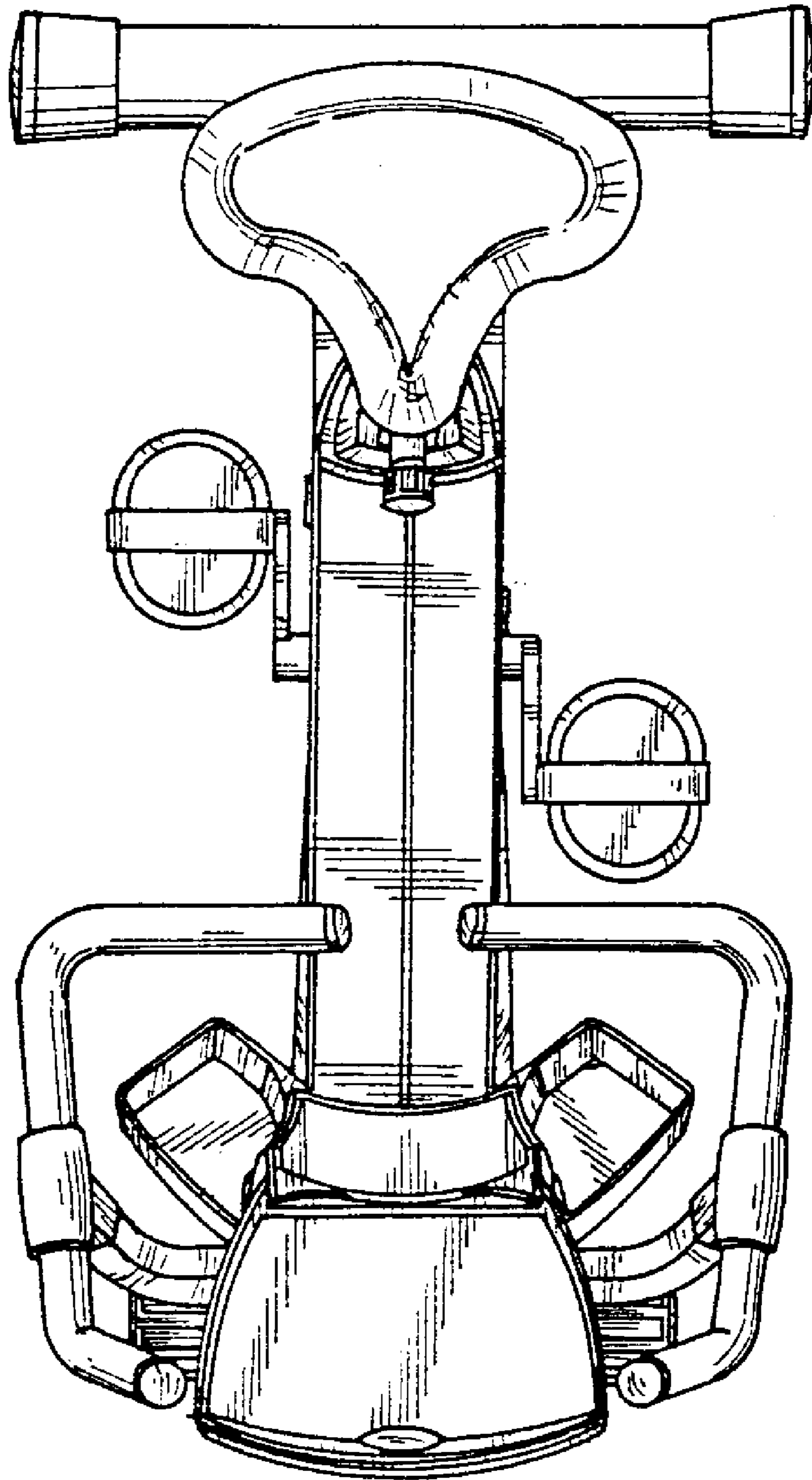


FIG. 6

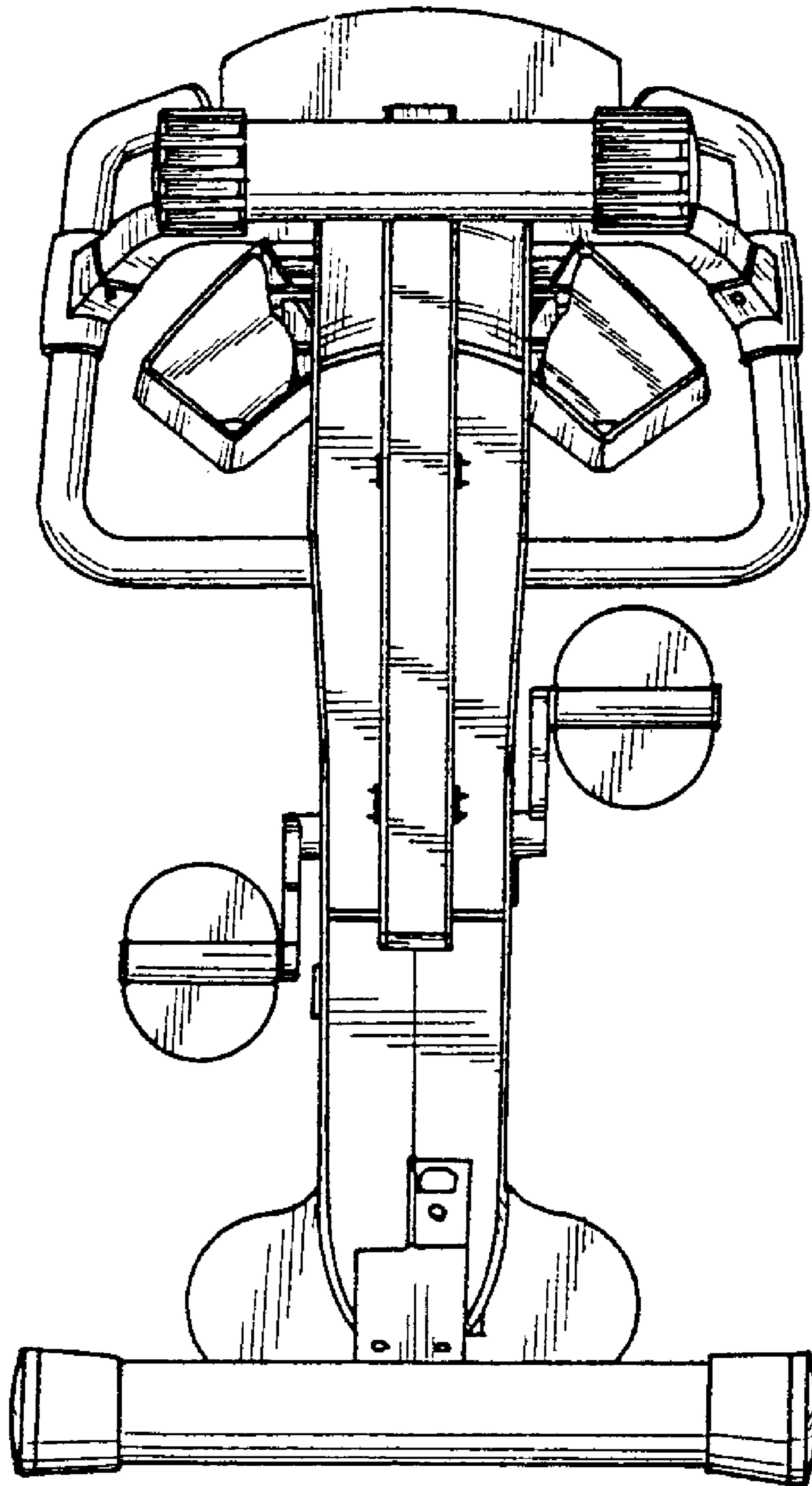


FIG. 7