



US00D519162S

(12) **United States Design Patent**
Hirato et al.

(10) **Patent No.:** **US D519,162 S**
(45) **Date of Patent:** **** Apr. 18, 2006**

(54) **GAME MACHINE**

(75) Inventors: **Jun Hirato**, Tokyo (JP); **Yu Suzuki**,
Tokyo (JP)

(73) Assignee: **Aruze Corporation**, Tokyo (JP)

(**) Term: **14 Years**

(21) Appl. No.: **29/219,638**

(22) Filed: **Dec. 21, 2004**

(30) **Foreign Application Priority Data**

Dec. 10, 2004 (JP) 2004-037901

(51) **LOC (8) Cl.** **21-01**

(52) **U.S. Cl.** **D21/327; D21/369**

(58) **Field of Classification Search** D21/324–328,
D21/369–375; 273/273, 246, 287, 283, 118 A,
273/123 A; 463/1, 6, 22, 30–36, 46
See application file for complete search history.

(56) **References Cited**

U.S. PATENT DOCUMENTS

D247,321 S	*	2/1978	Cook	D21/327
4,614,342 A	*	9/1986	Takashima	463/11
5,221,083 A	*	6/1993	Dote	463/32
5,263,715 A	*	11/1993	Matsumoto et al.	463/22
5,634,639 A	*	6/1997	Tokito et al.	473/123 R
D396,067 S	*	7/1998	Uehara	D21/369

D396,888 S	*	8/1998	Hayashi	D21/327
5,879,235 A	*	3/1999	Kaneko et al.	463/34
D410,256 S	*	5/1999	Uehara et al.	D21/327
D415,211 S	*	10/1999	Yamaguchi	D21/327
6,019,369 A	*	2/2000	Nakagawa et al.	273/246
D458,310 S	*	6/2002	Lynch	D21/369
D458,646 S	*	6/2002	Lynch	D21/369

* cited by examiner

Primary Examiner—Prabhakar Deshmukh

(74) *Attorney, Agent, or Firm*—Manabu Kanesaka

(57) **CLAIM**

The ornamental design for a game machine, as shown and described.

DESCRIPTION

FIG. 1 is a front view of a game machine showing our new design;
 FIG. 2 is a rear view thereof;
 FIG. 3 is a right side view thereof;
 FIG. 4 is a left side view thereof;
 FIG. 5 is a top plan view thereof;
 FIG. 6 is a bottom plan view thereof;
 FIG. 7 is a sectional view taken along line 7—7 in FIG. 1;
 and,
 FIG. 8 is a sectional view taken along line 8—8 in FIG. 5.
 The broken lines are for illustrative purposes only and form no part of the claimed design.

1 Claim, 8 Drawing Sheets

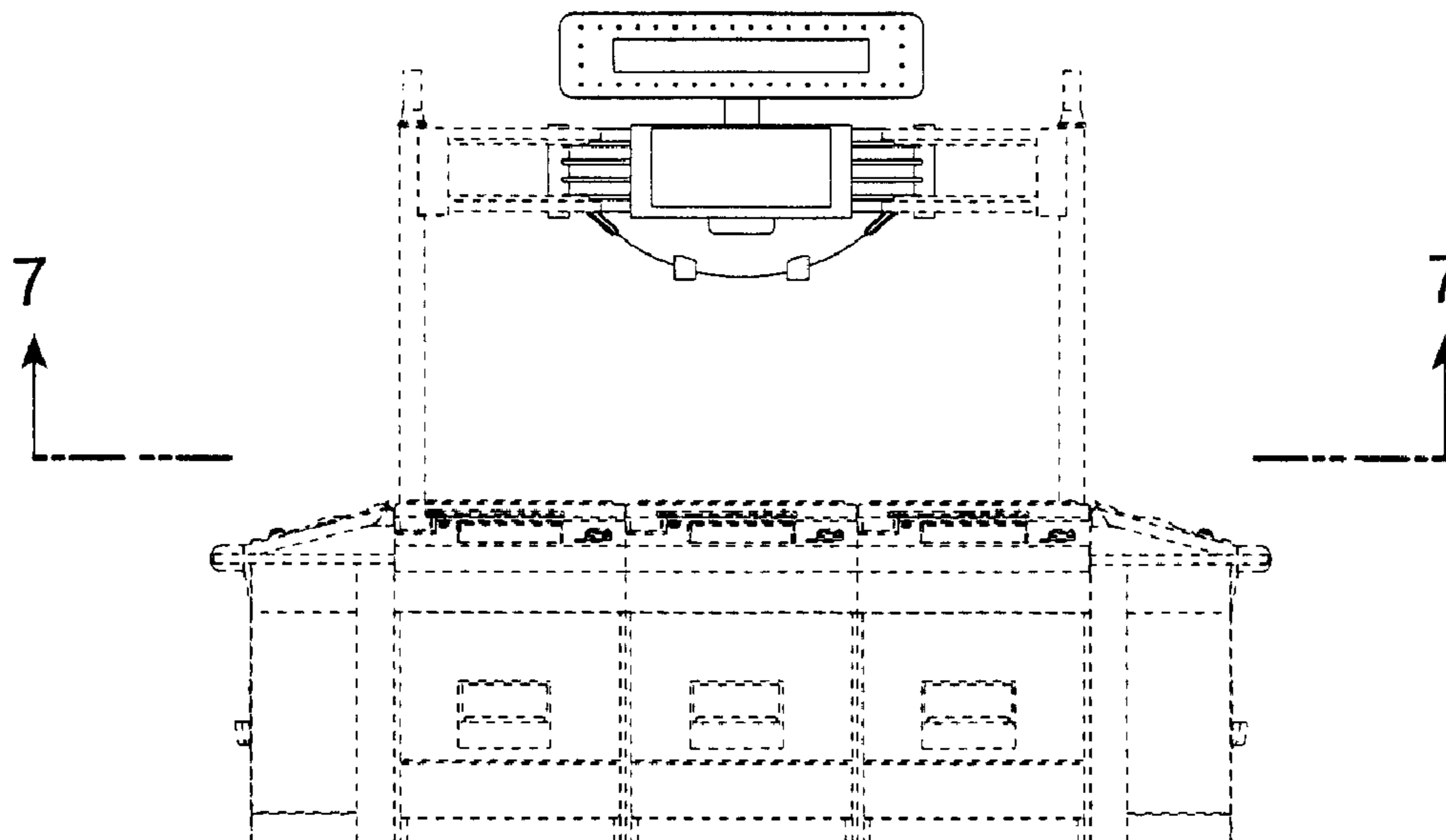


Fig. 1

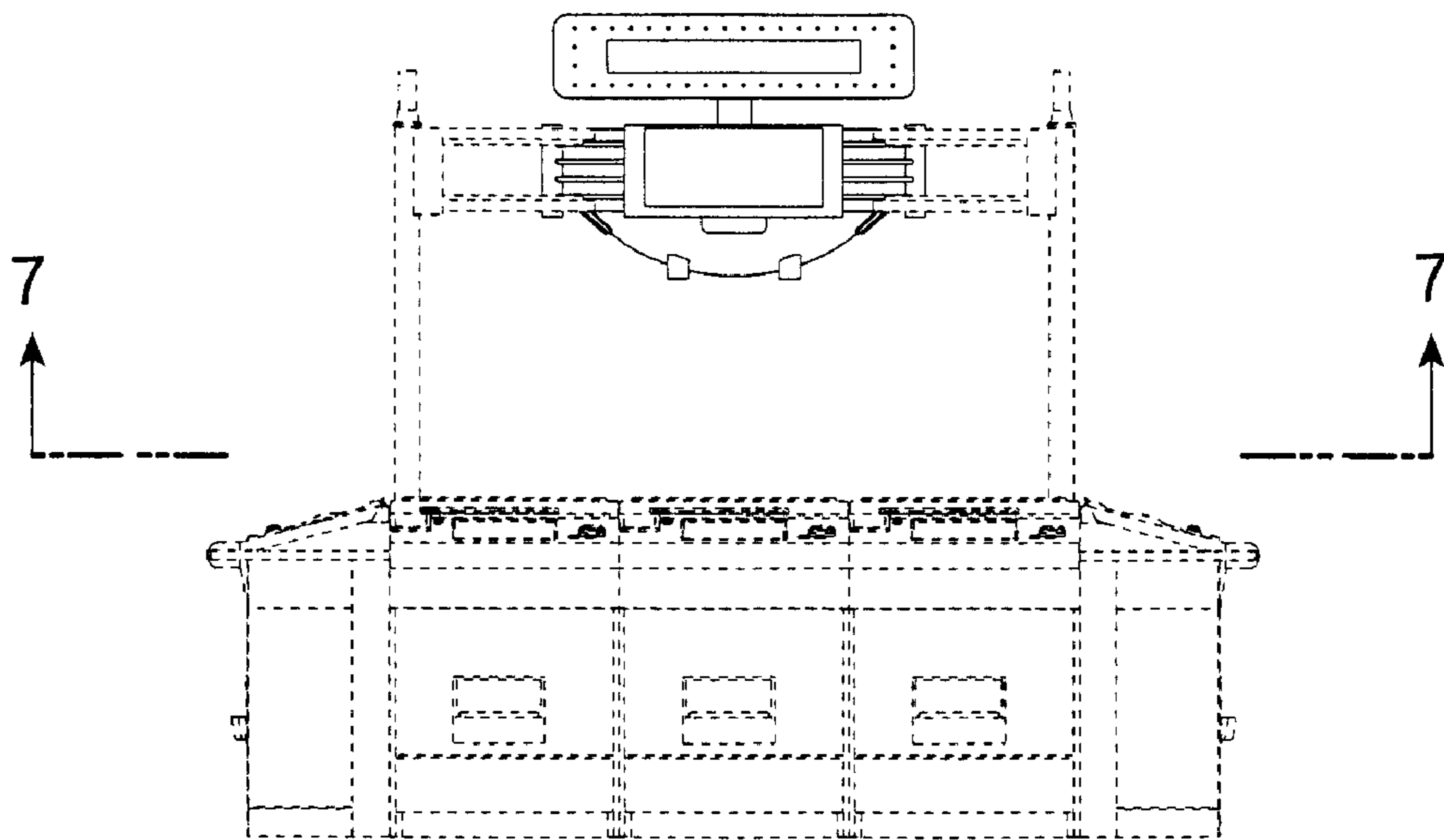


Fig. 2

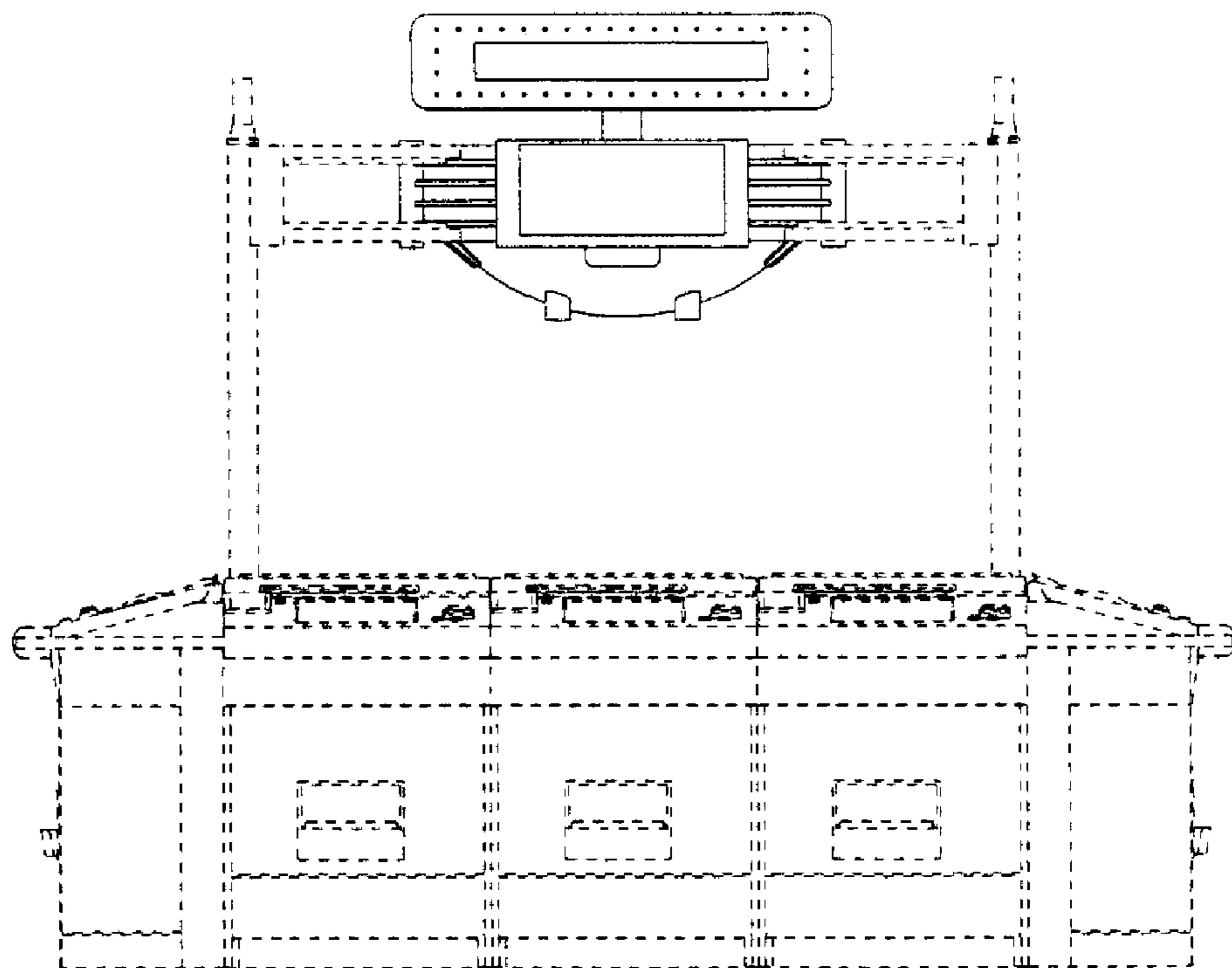


Fig. 3

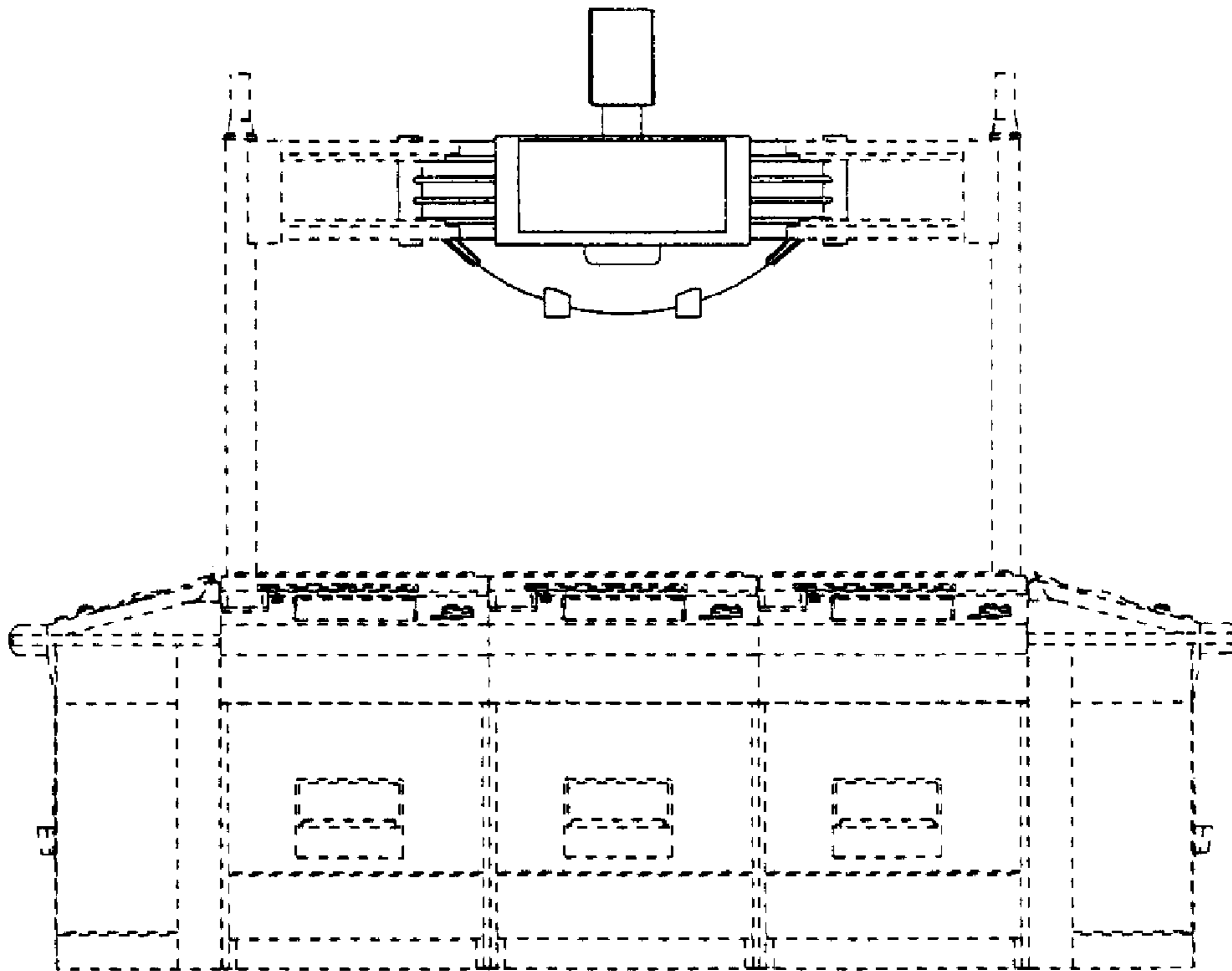


Fig. 4

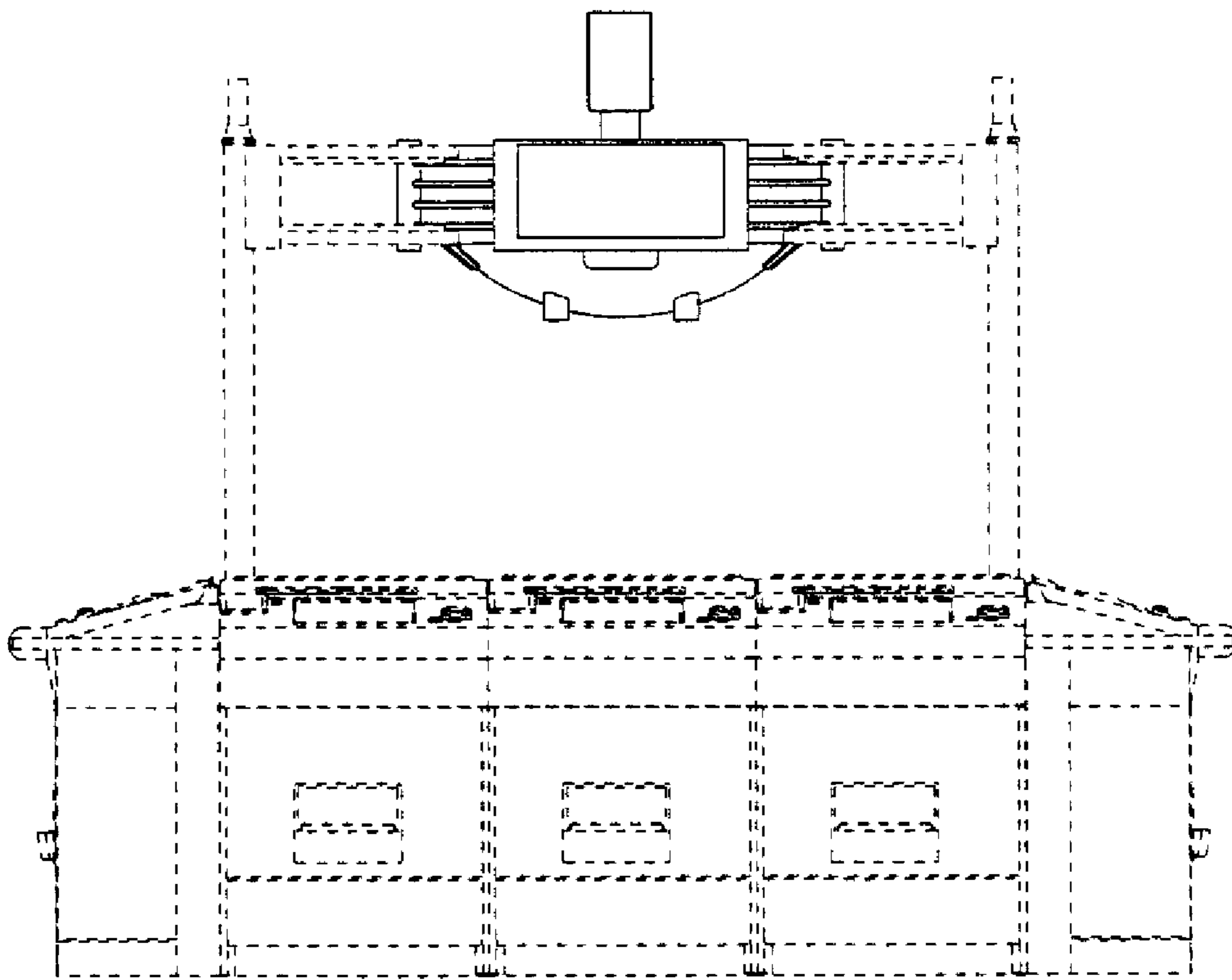


Fig. 5

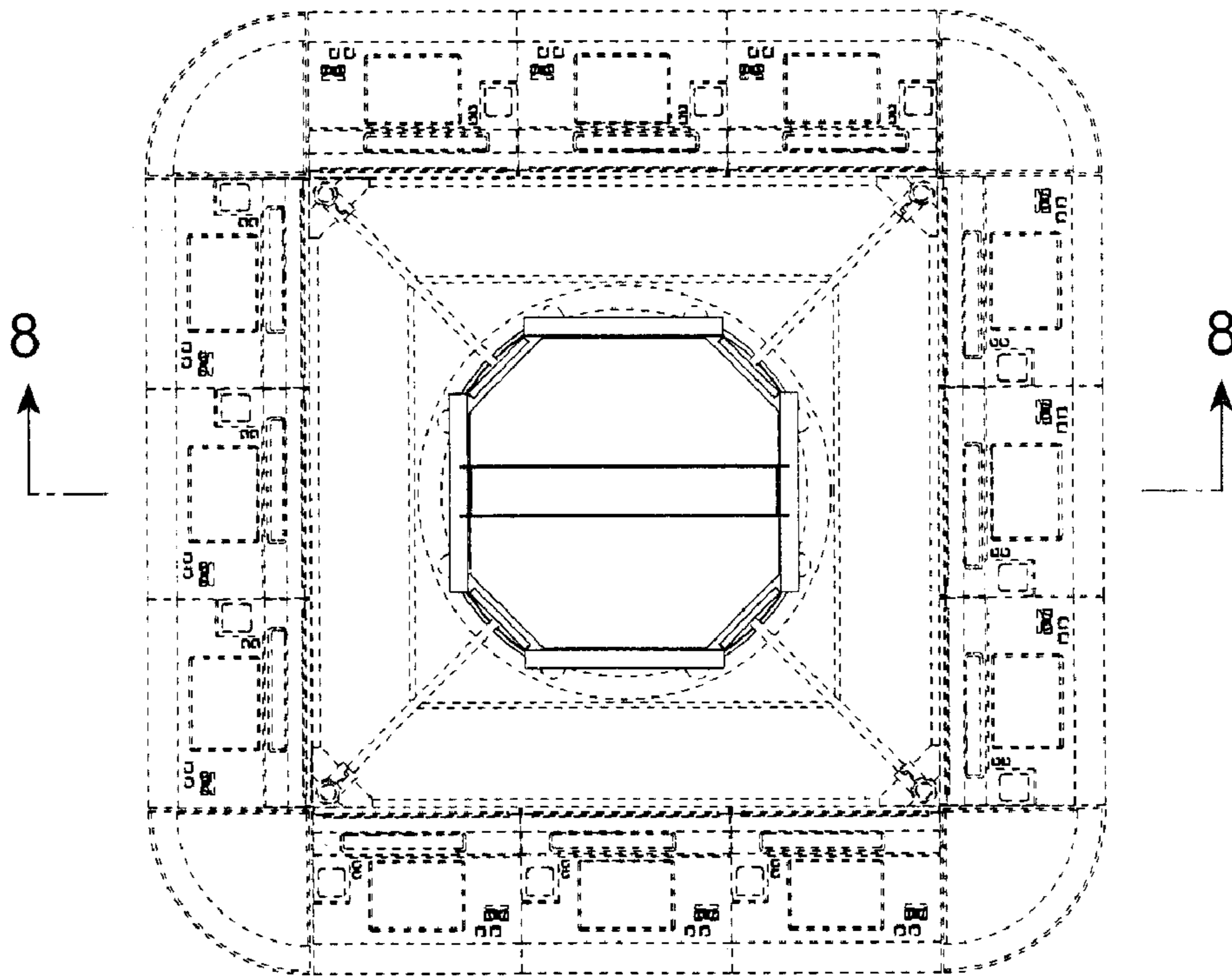


Fig. 6

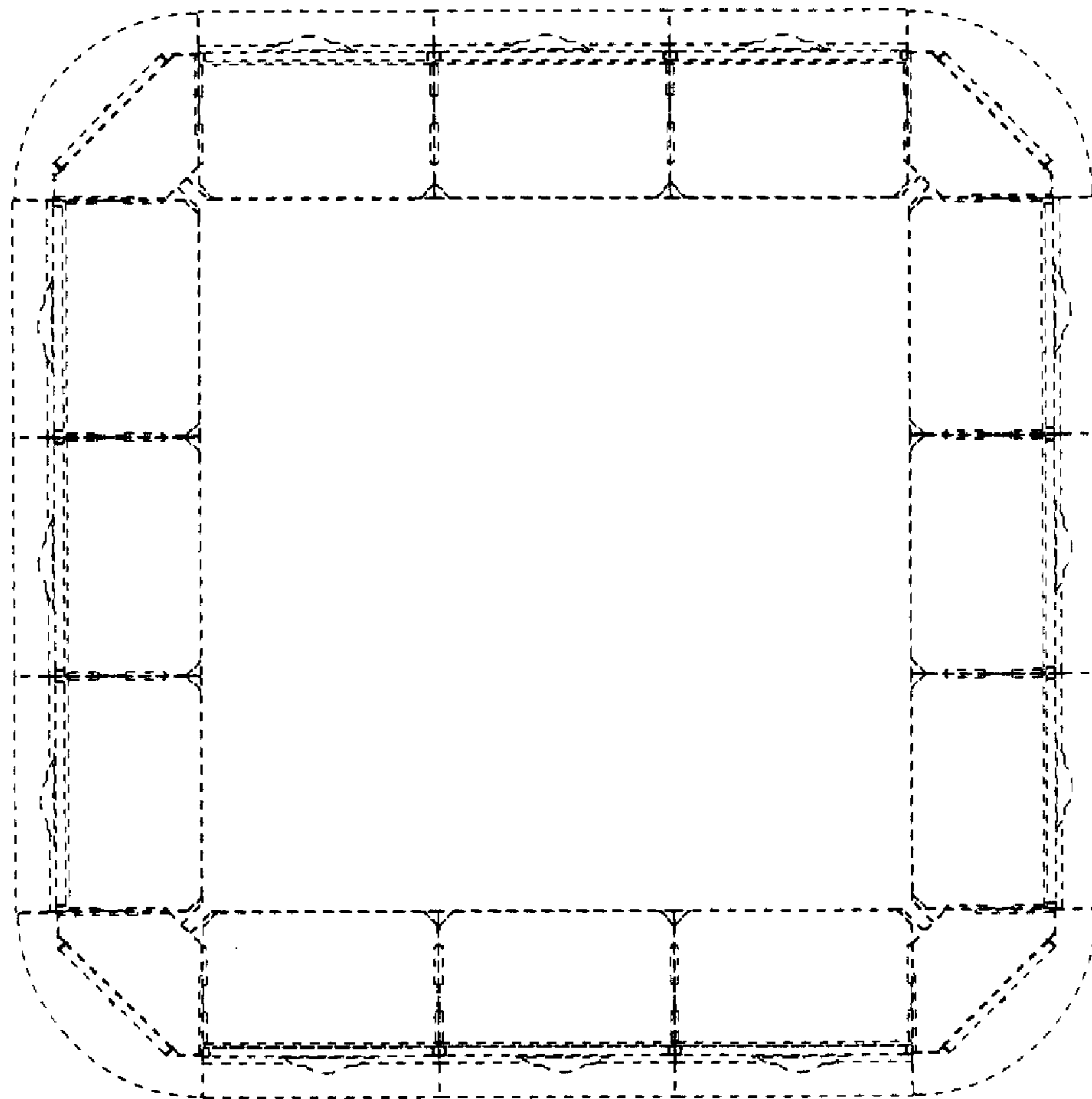


Fig. 7

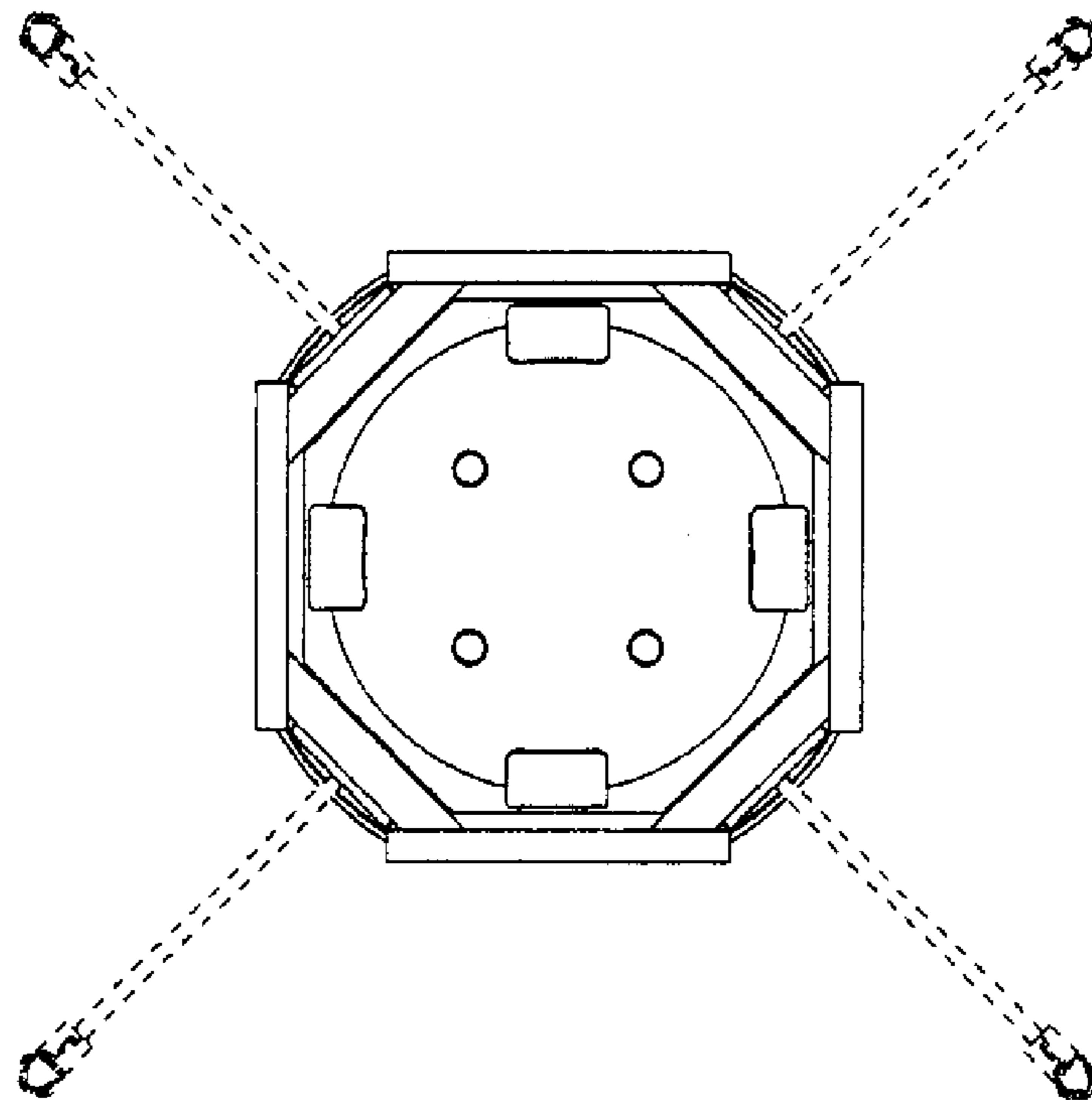


Fig. 8

