



US00D519160S

(12) **United States Design Patent**
Lee et al.

(10) **Patent No.:** **US D519,160 S**
(45) **Date of Patent:** **** Apr. 18, 2006**

(54) **BASKETBALL ILLUMINATED DISPLAY**

D368,739 S * 4/1996 Cameron D20/10

(75) Inventors: **Michael Lee**, Baltimore, MD (US); **Raf Vanreusel**, Reistertown, MD (US)

* cited by examiner

(73) Assignee: **PTC International**, Baltimore, MD (US)

Primary Examiner—Marcus A. Jackson

(74) *Attorney, Agent, or Firm*—McGuireWoods, LLP

(**) Term: **14 Years**

(57) **CLAIM**

The ornamental design for a basketball illuminated display, as shown and described.

(21) Appl. No.: **29/199,509**

(22) Filed: **Feb. 18, 2004**

DESCRIPTION

(51) **LOC (8) Cl.** **19-08**

(52) **U.S. Cl.** **D20/10**

(58) **Field of Classification Search** D20/10,
D20/39, 40, 41, 42; 40/1, 540, 541, 542,
40/543, 545, 584, 624

FIG. 1 is a front elevational view of the display.

FIG. 2 is a bottom plan view of the display.

FIG. 3 is a top view of the display.

FIG. 4 is a back elevational plan view of the display.

FIG. 5 is a side elevational view of the display; and,

FIG. 6 is a side elevational view of the display.

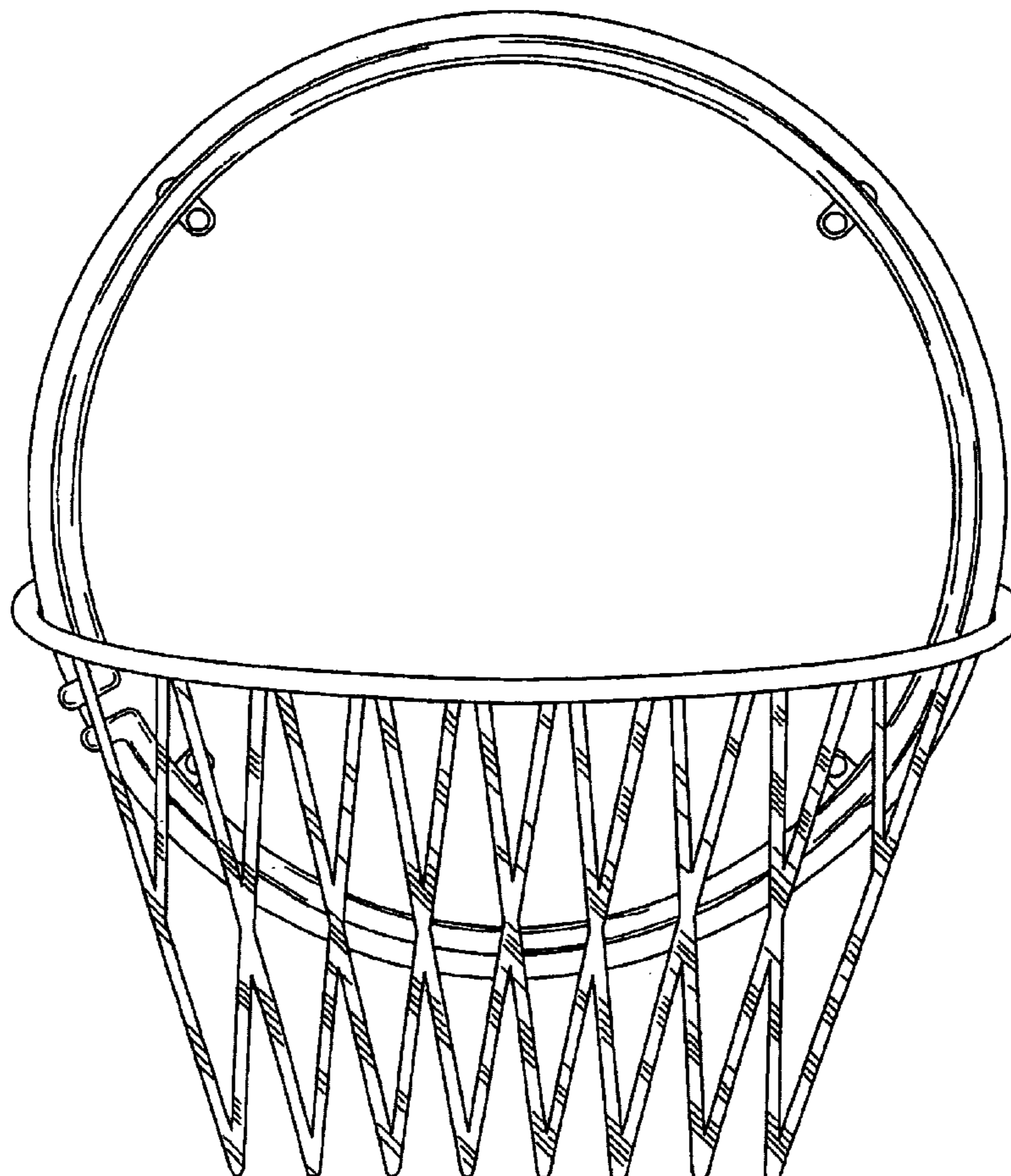
See application file for complete search history.

(56) **References Cited**

U.S. PATENT DOCUMENTS

D324,884 S * 3/1992 Pannkuk D20/19

1 Claim, 6 Drawing Sheets



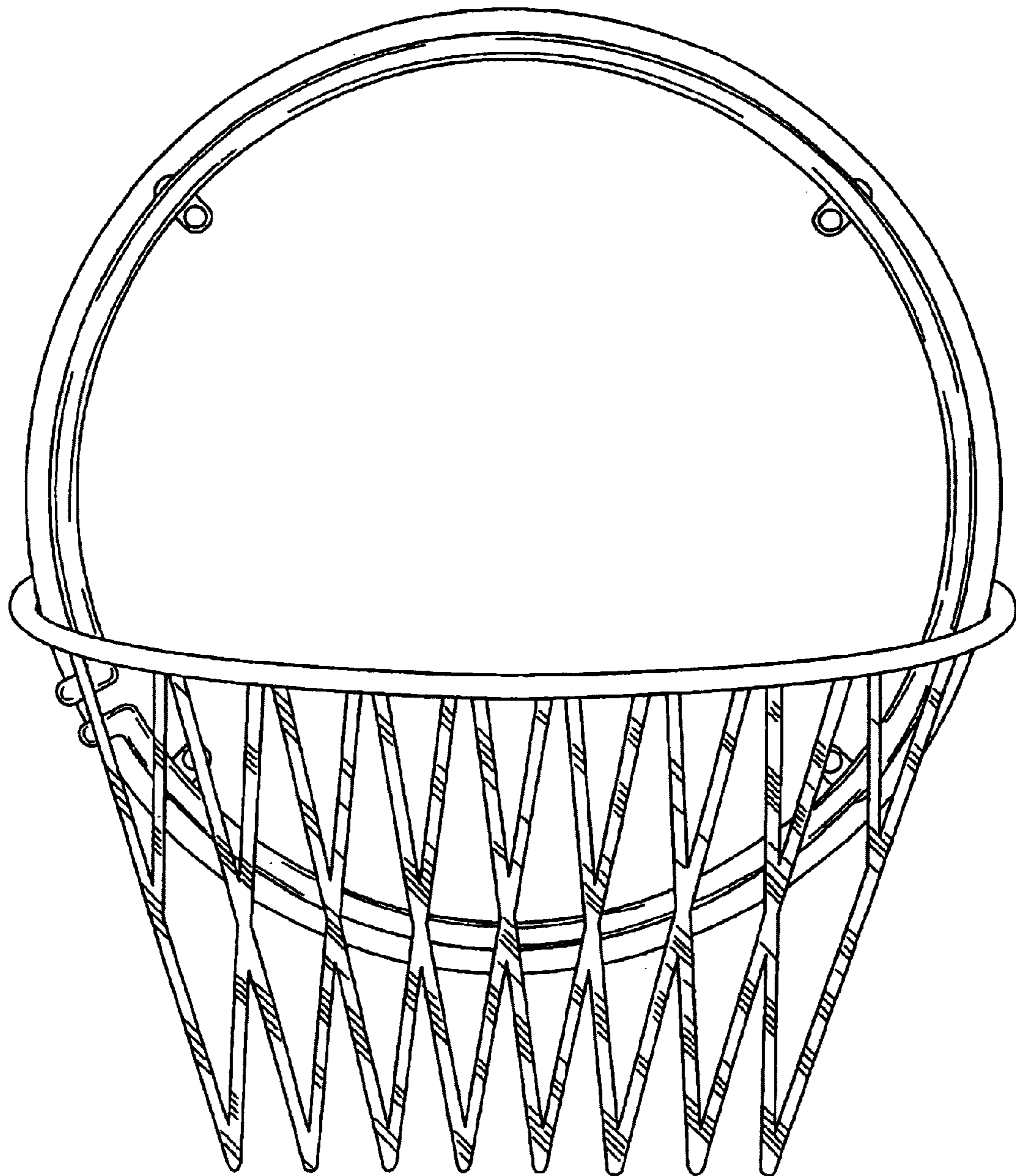


FIG. 1

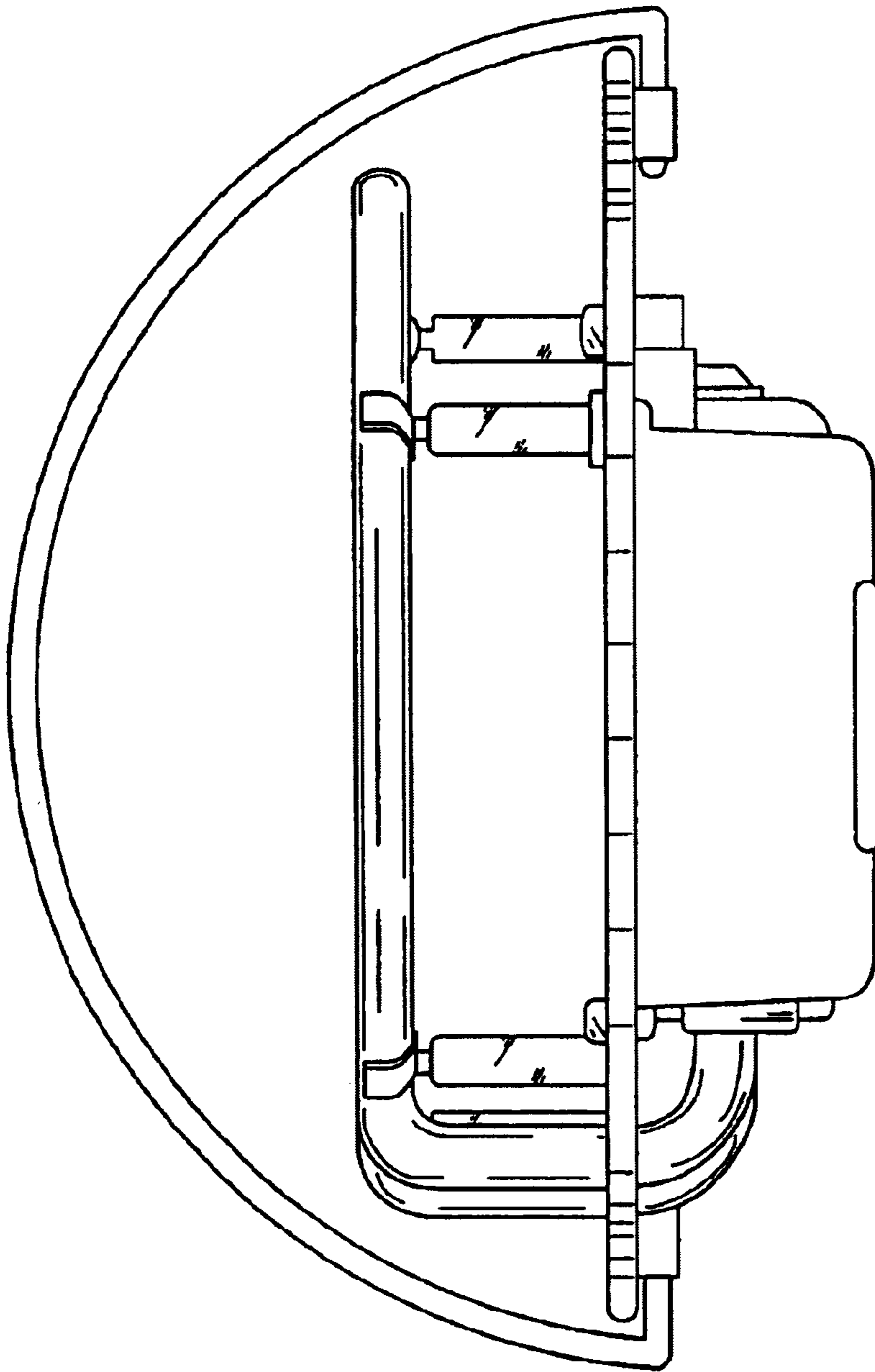


FIG. 2

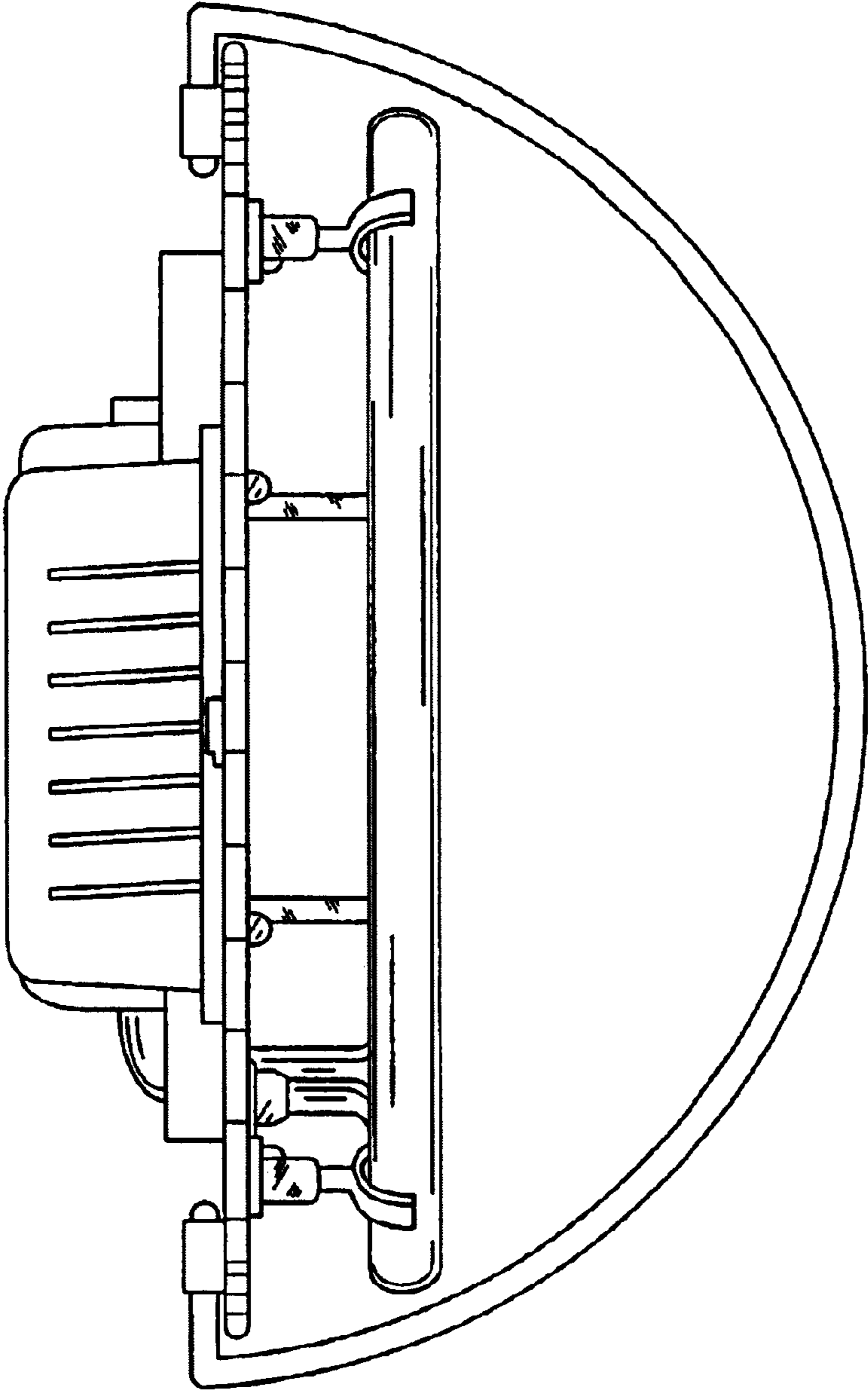


FIG. 3

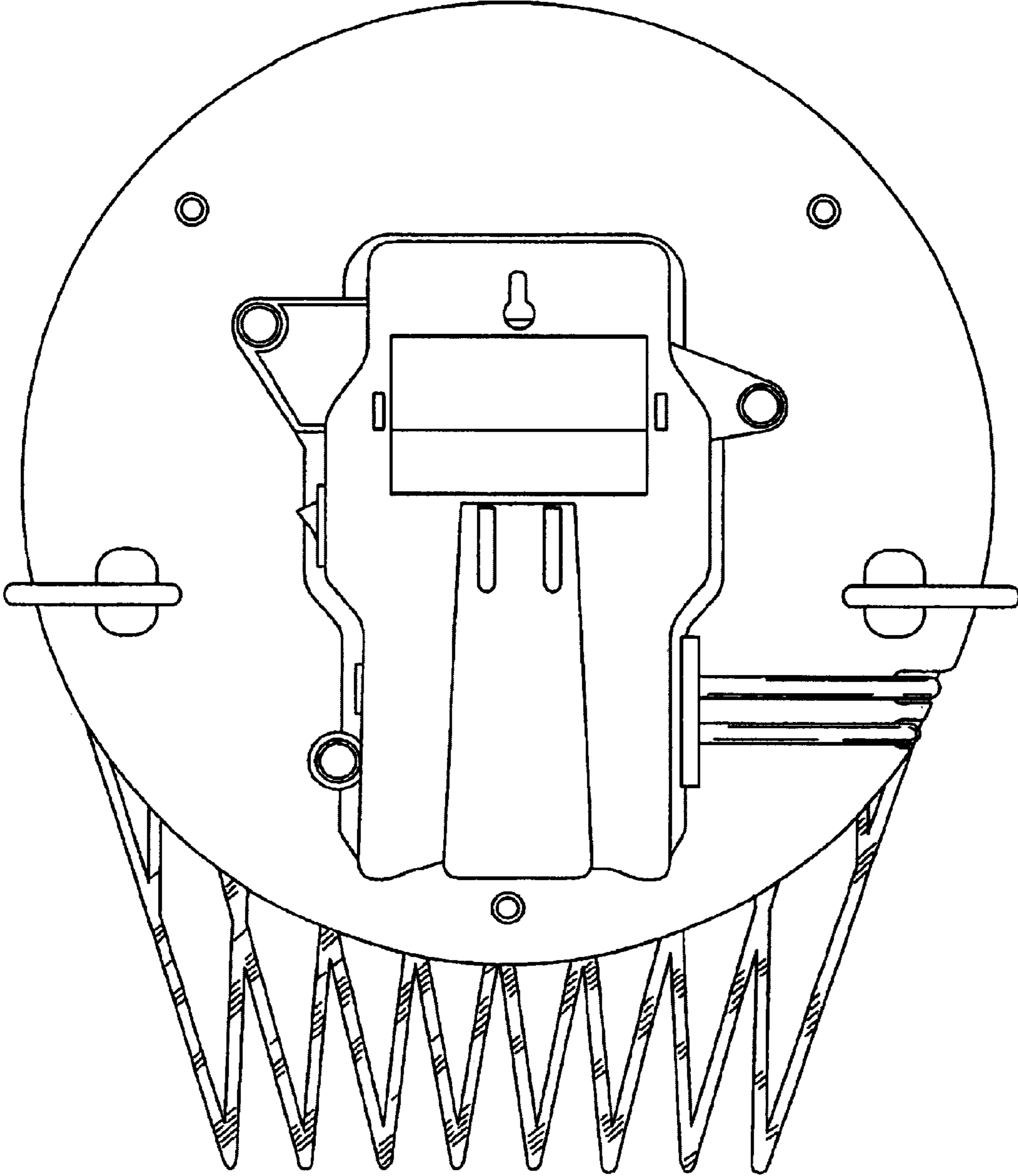


FIG. 4

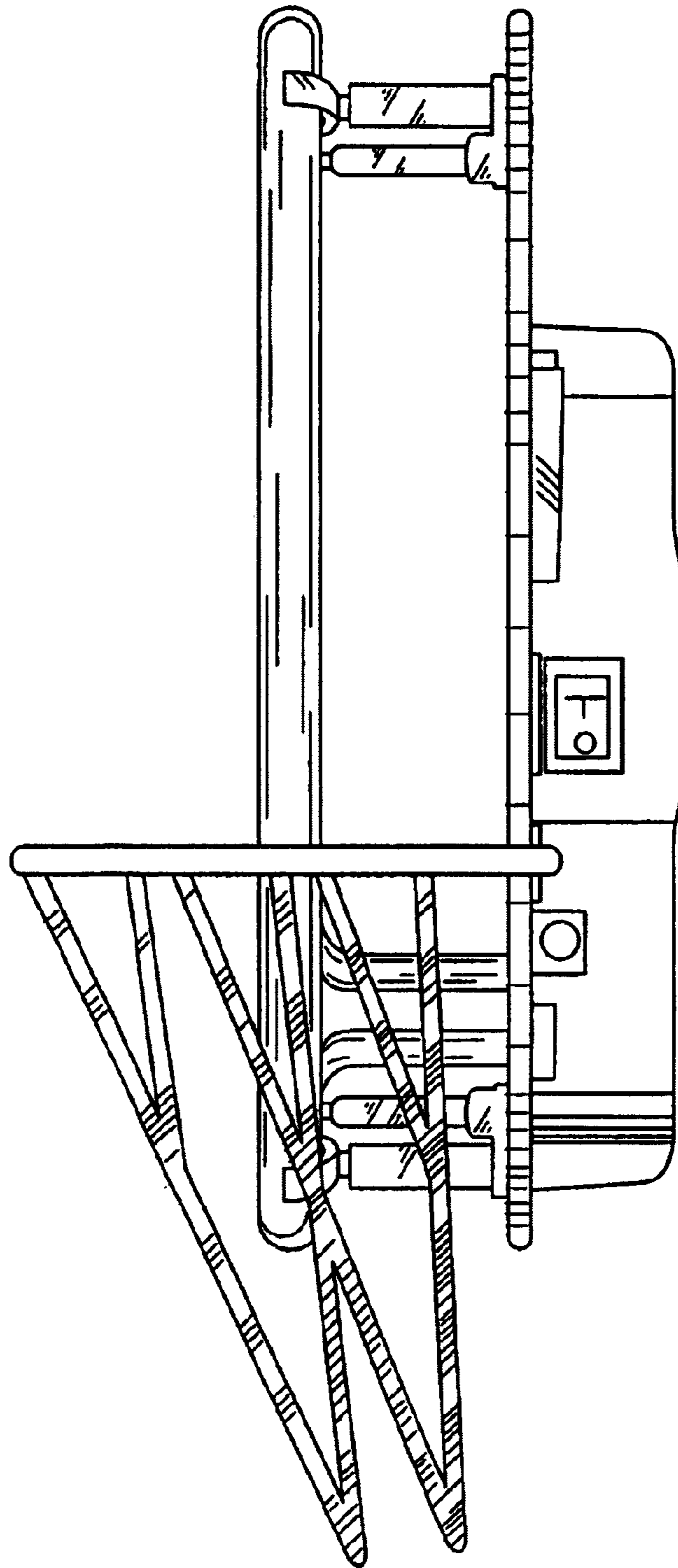


FIG. 5

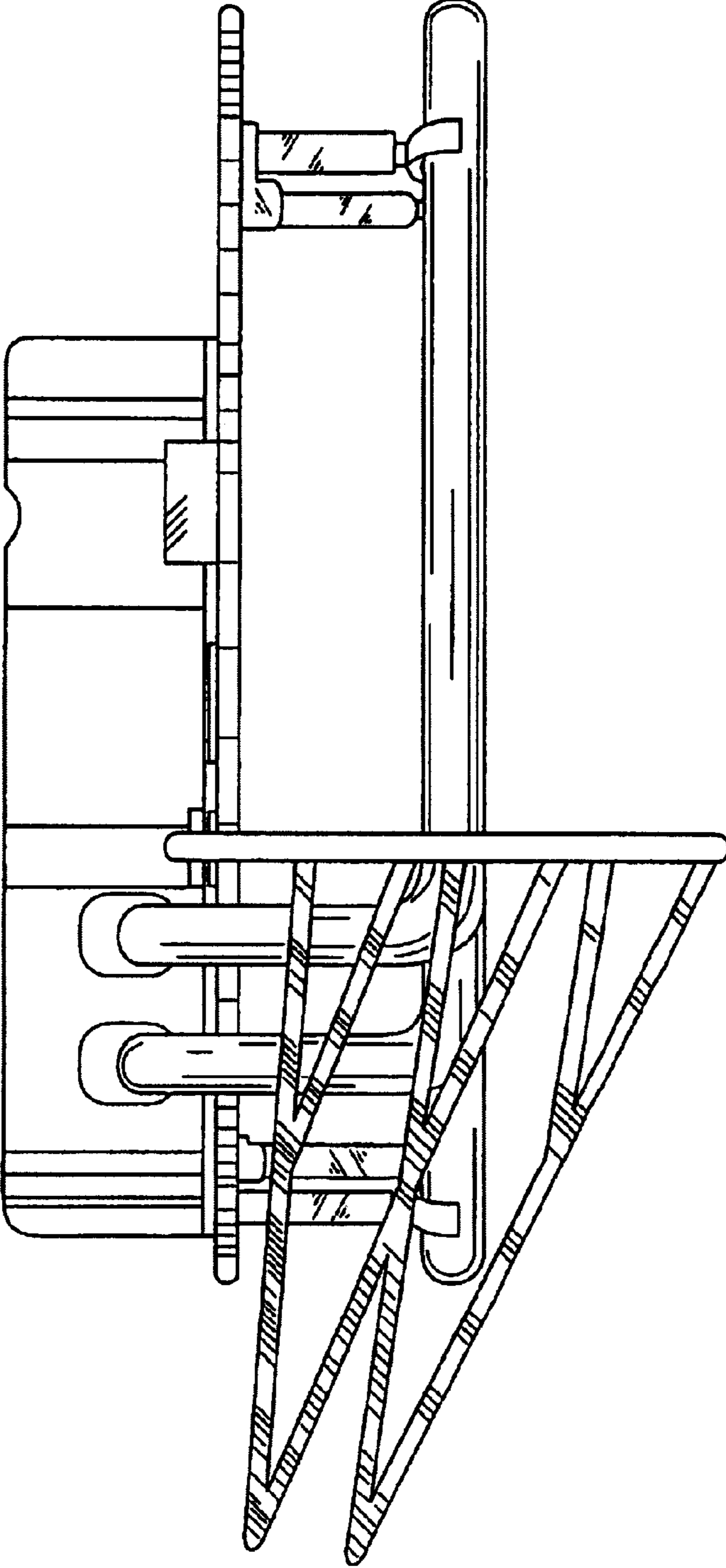


FIG. 6