



US00D519157S

(12) **United States Design Patent**
Balatti

(10) **Patent No.:** **US D519,157 S**

(45) **Date of Patent:** **** Apr. 18, 2006**

(54) **CHART HANGER**

(75) Inventor: **Aldo F. Balatti**, Greely (CA)

(73) Assignee: **Copernicus Educational Products Inc.**, Arthur (CA)

(**) Term: **14 Years**

(21) Appl. No.: **29/209,618**

(22) Filed: **Jul. 20, 2004**

(51) **LOC (8) Cl.** **19-02**

(52) **U.S. Cl.** **D19/86**

(58) **Field of Classification Search** D6/318,
D6/319, 513; D8/395; D19/65, 78, 86, 87,
D19/88, 90, 91, 92, 95; 24/67 R, 67.1, 67.3,
24/67.5, 67.7, 67.9, 67.11, 546, 547, 552,
24/562, 563, 564; 206/215, 425; 211/46,
211/50, 113; 223/91; 229/67.2; 312/184;
402/14

See application file for complete search history.

(56) **References Cited**

U.S. PATENT DOCUMENTS

2,522,013 A * 9/1950 Anderson 223/91
2,522,595 A * 9/1950 Bacica 223/91
3,639,020 A * 2/1972 Nesbitt 229/67.2

4,031,646 A * 6/1977 de Nouel 40/359
4,418,825 A * 12/1983 Mahowald 211/42
D287,085 S * 12/1986 Leeds D6/513
D323,587 S * 2/1992 Primeau D6/327
D405,343 S * 2/1999 Oberdorf D6/319
6,622,857 B1 * 9/2003 Ohtsubo et al. 206/287

* cited by examiner

Primary Examiner—Caron D. Veynar

Assistant Examiner—Elizabeth Albert

(74) *Attorney, Agent, or Firm*—Volpe and Koenig, P.C.

(57) **CLAIM**

The ornamental design for a chart hanger, as shown and described.

DESCRIPTION

FIG. 1 is a front perspective view of the chart hanger showing my new design;

FIG. 2 is a rear perspective view of the chart hanger of FIG. 1;

FIG. 3 is a front view of the chart hanger of FIG. 1;

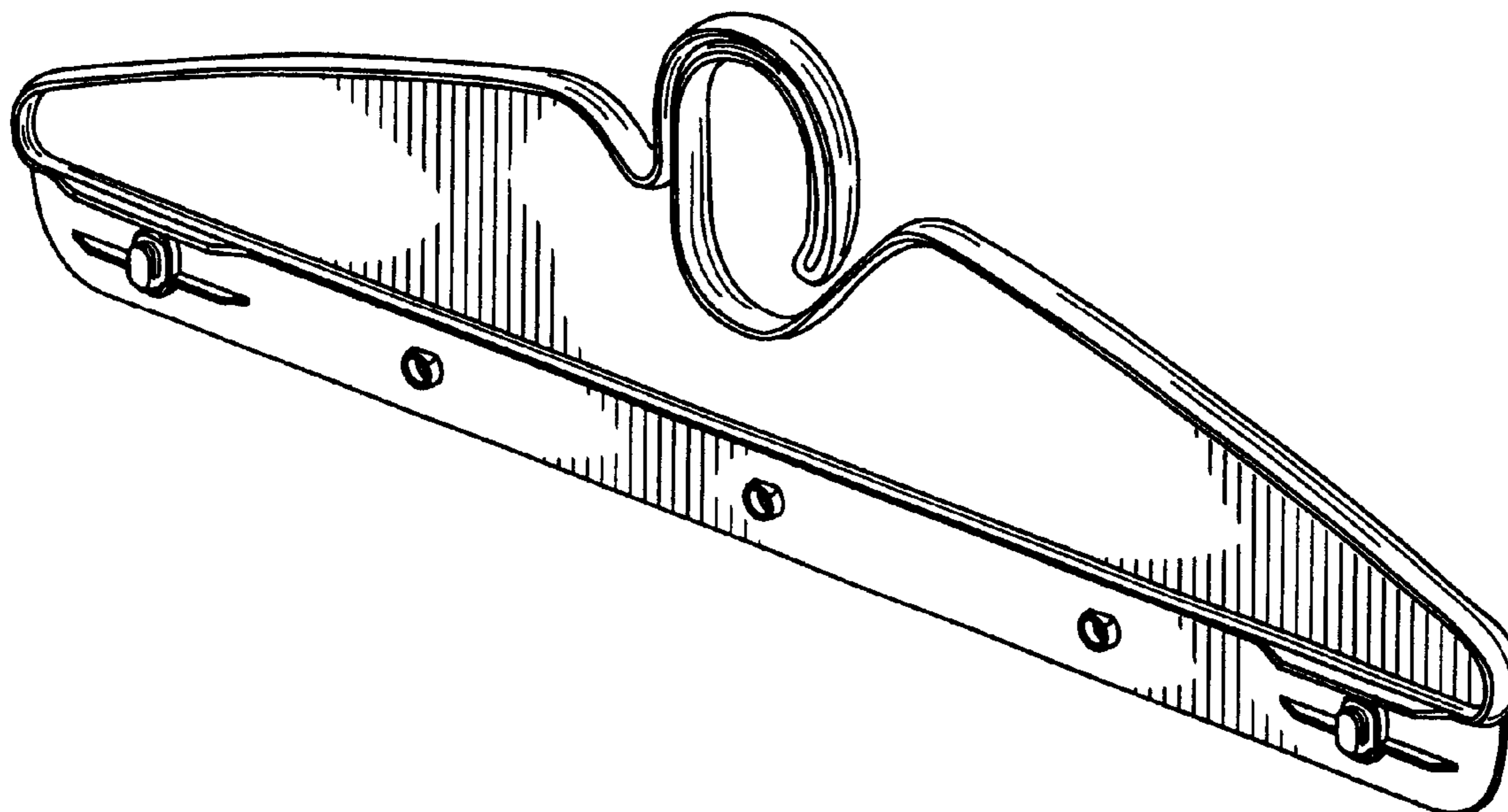
FIG. 4 is a rear view of the chart hanger of FIG. 1;

FIG. 5 is a top view of the chart hanger of FIG. 1;

FIG. 6 is a bottom view of the chart hanger of FIG. 1; and,

FIG. 7 is an enlarged side view of the chart hanger of FIG. 1.

1 Claim, 7 Drawing Sheets



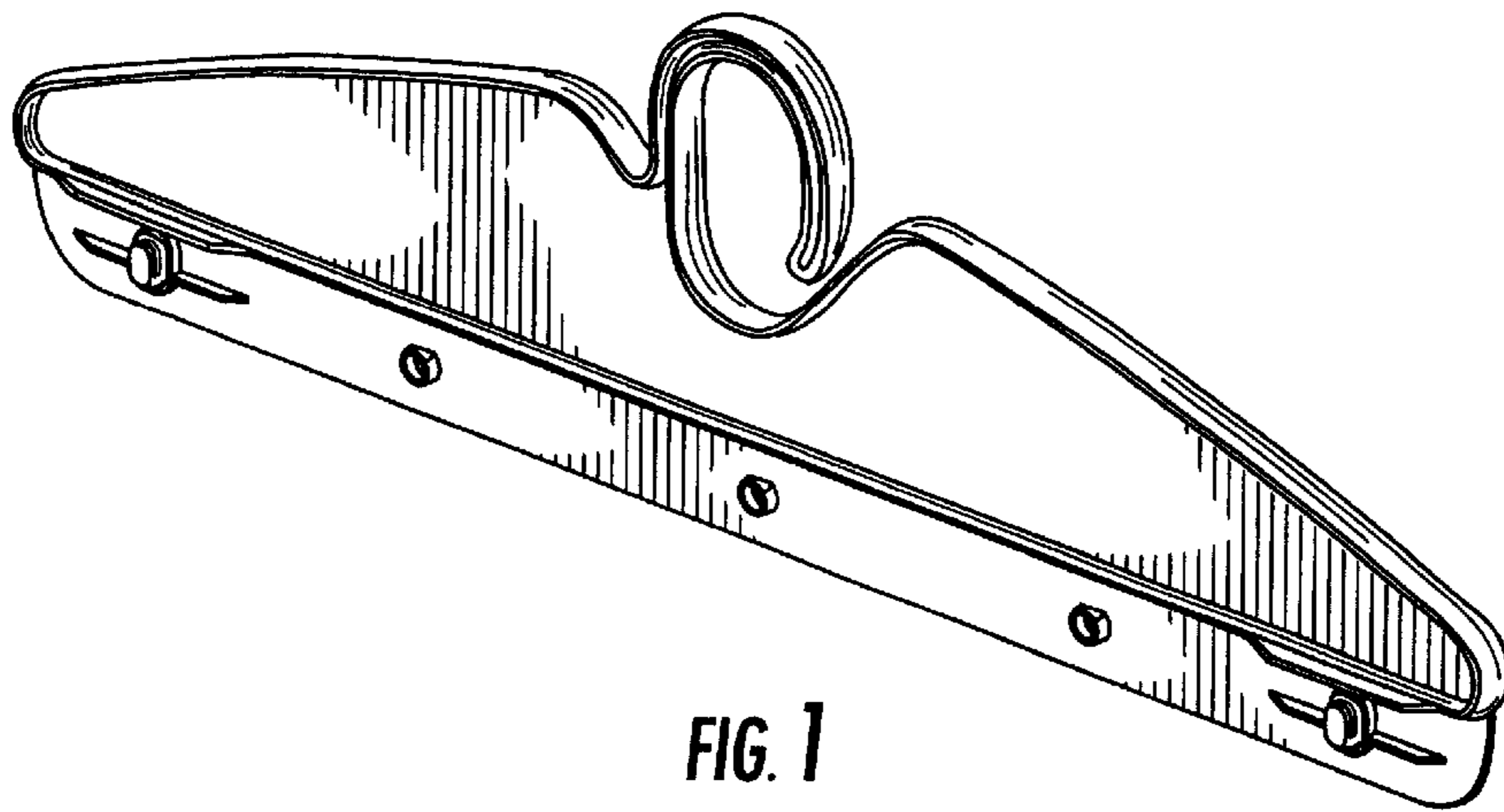


FIG. 1

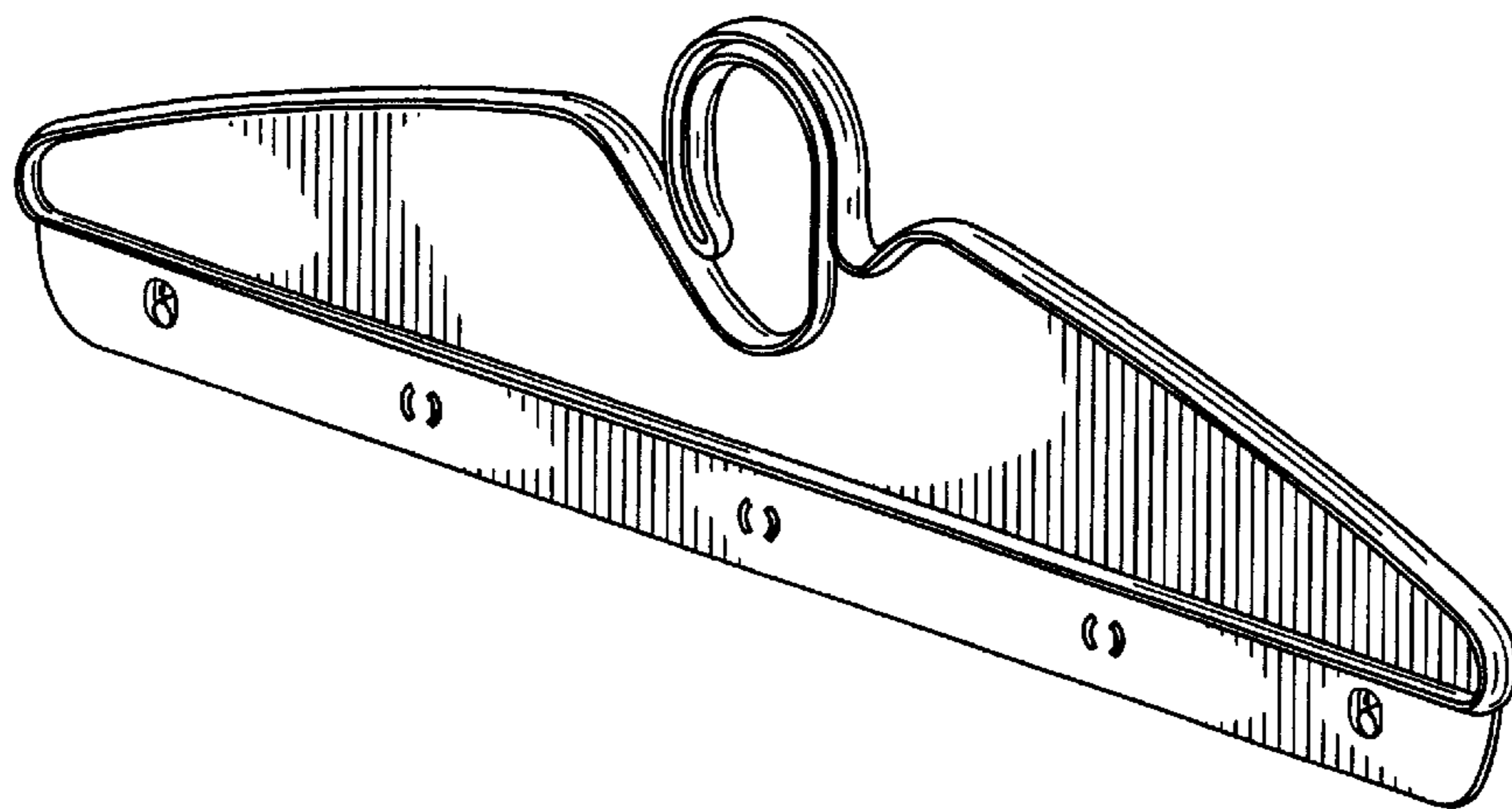


FIG. 2

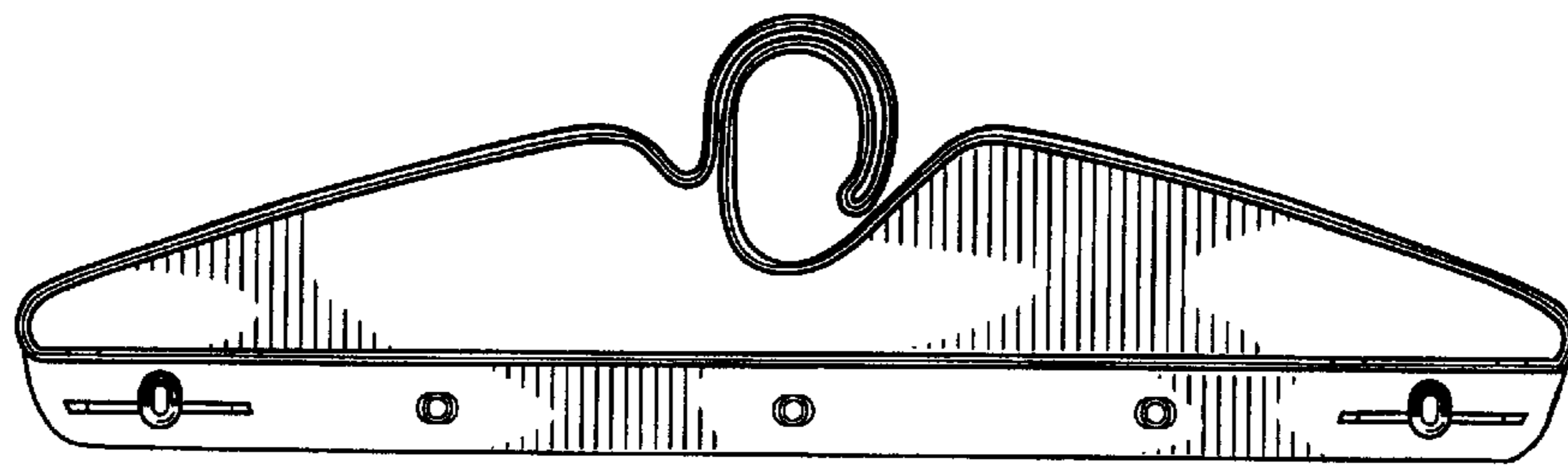


FIG. 3

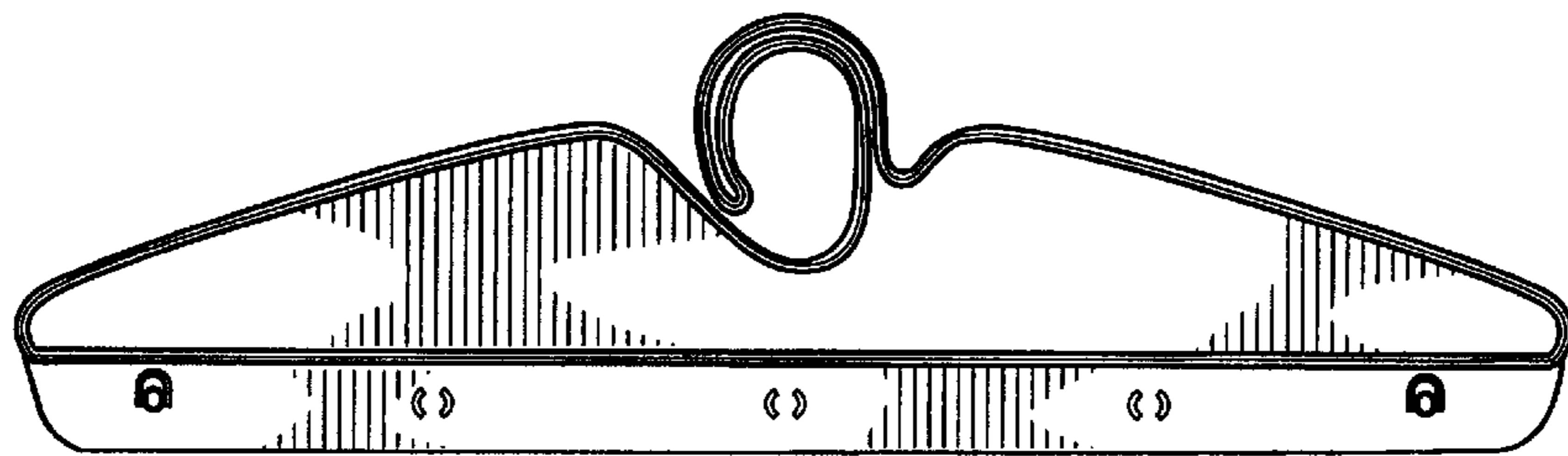


FIG. 4

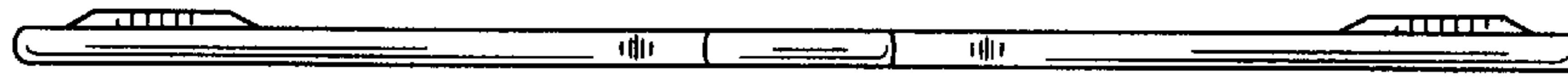


FIG. 5

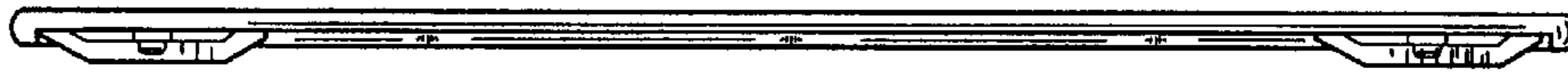


FIG. 6

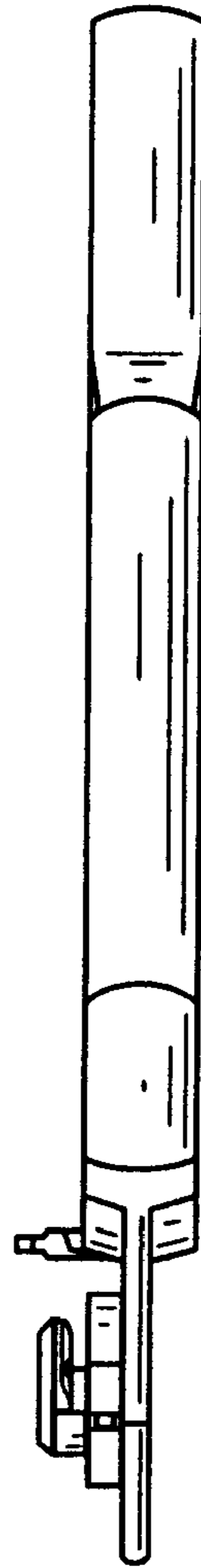


FIG. 7