



US00D519154S

(12) **United States Design Patent**  
**Sasaki et al.**

(10) **Patent No.:** **US D519,154 S**

(45) **Date of Patent:** **\*\* Apr. 18, 2006**

(54) **INK CARTRIDGE**

(75) Inventors: **Toyonori Sasaki**, Anjo (JP); **Shingo Hattori**, Tsushima (JP)

(73) Assignee: **Brother Industries, Ltd.**, Nagoya (JP)

(\*\*) Term: **14 Years**

(21) Appl. No.: **29/209,021**

(22) Filed: **Jul. 12, 2004**

(30) **Foreign Application Priority Data**

Feb. 6, 2004 (JP) ..... 2004-003097

(51) **LOC (8) Cl.** ..... **18-02**

(52) **U.S. Cl.** ..... **D18/56; 347/86**

(58) **Field of Classification Search** ..... D18/40,  
D18/43, 56; 347/33, 49, 50, 86-87; 399/110  
See application file for complete search history.

(56) **References Cited**

**U.S. PATENT DOCUMENTS**

D375,523 S	*	11/1996	Murray	.....	D18/56
D377,371 S	*	1/1997	Tokuda et al.	.....	D18/56
D381,681 S	*	7/1997	Takenouchi et al.	.....	D18/56
D395,445 S	*	6/1998	Tokuda et al.	.....	D18/56
D424,103 S	*	5/2000	Eckard et al.	.....	D18/56
D430,897 S	*	9/2000	Bishop et al.	.....	D18/56

D437,611 S	*	2/2001	Gassett et al.	.....	D18/56
D441,787 S	*	5/2001	Bishop et al.	.....	D18/56
D456,835 S	*	5/2002	Nanjo et al.	.....	D18/56
D462,382 S	*	9/2002	Nanjo et al.	.....	D18/56
D462,384 S	*	9/2002	Sasaki et al.	.....	D18/56
D465,516 S	*	11/2002	Shinada et al.	.....	D18/56
D466,151 S	*	11/2002	Shinada et al.	.....	D18/56
D477,841 S	*	7/2003	Shimizu et al.	.....	D18/56
6,742,857 B1	*	6/2004	Koshikawa et al.	.....	347/19
6,945,642 B1	*	9/2005	Yamamoto et al.	.....	347/86

\* cited by examiner

*Primary Examiner*—Cathy Anne MacCormac

(74) *Attorney, Agent, or Firm*—Oliff & Berridge, PLC

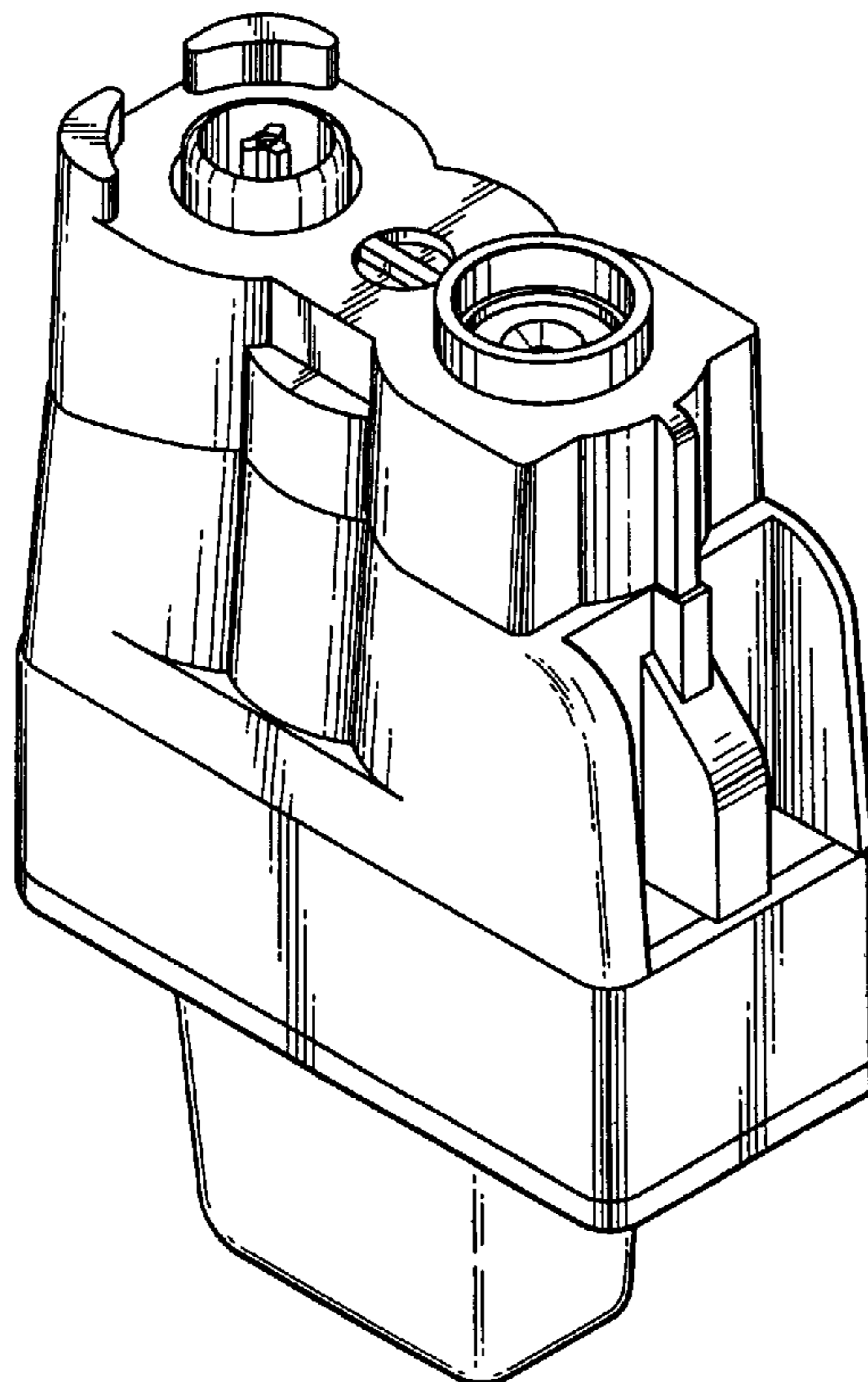
(57) **CLAIM**

The ornamental design for an ink cartridge, as shown and described.

**DESCRIPTION**

FIG. 1 is a perspective view of an ink cartridge;  
FIG. 2 is a front view thereof;  
FIG. 3 is a top view thereof;  
FIG. 4 is a right-side view thereof;  
FIG. 5 is a left-side view thereof;  
FIG. 6 is a rear view thereof; and,  
FIG. 7 is a bottom view thereof.

**1 Claim, 4 Drawing Sheets**



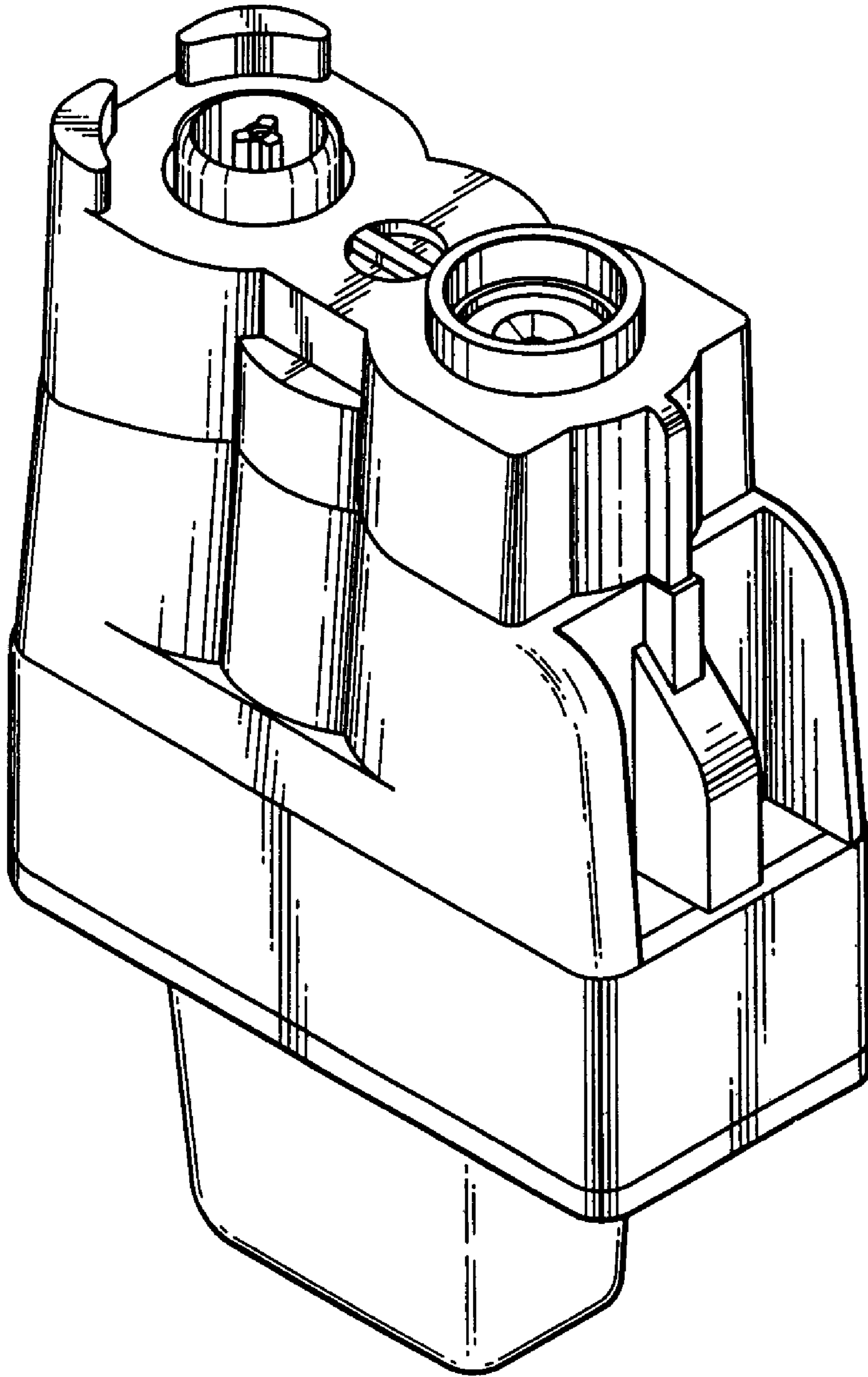


FIG. 1

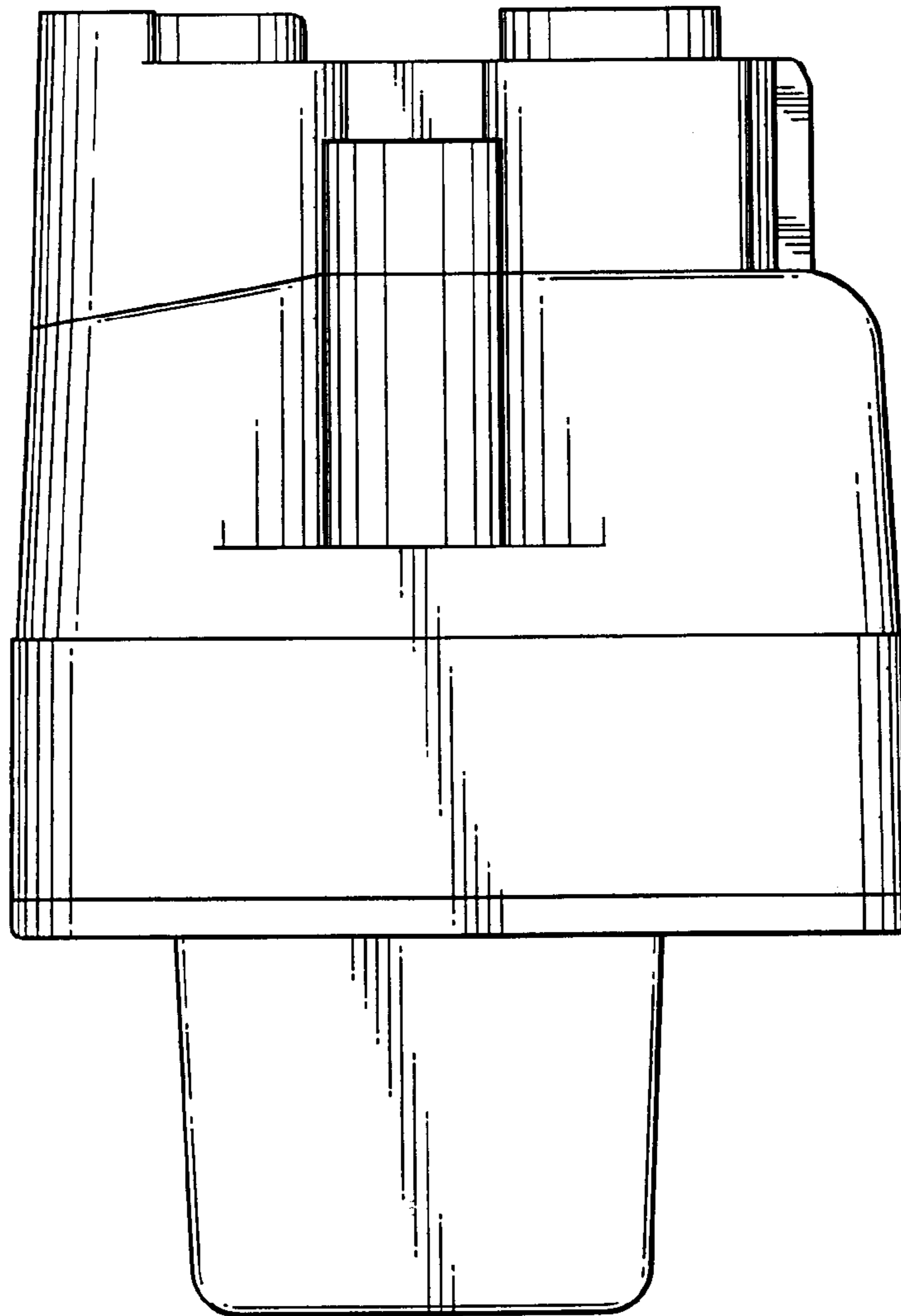


FIG. 2

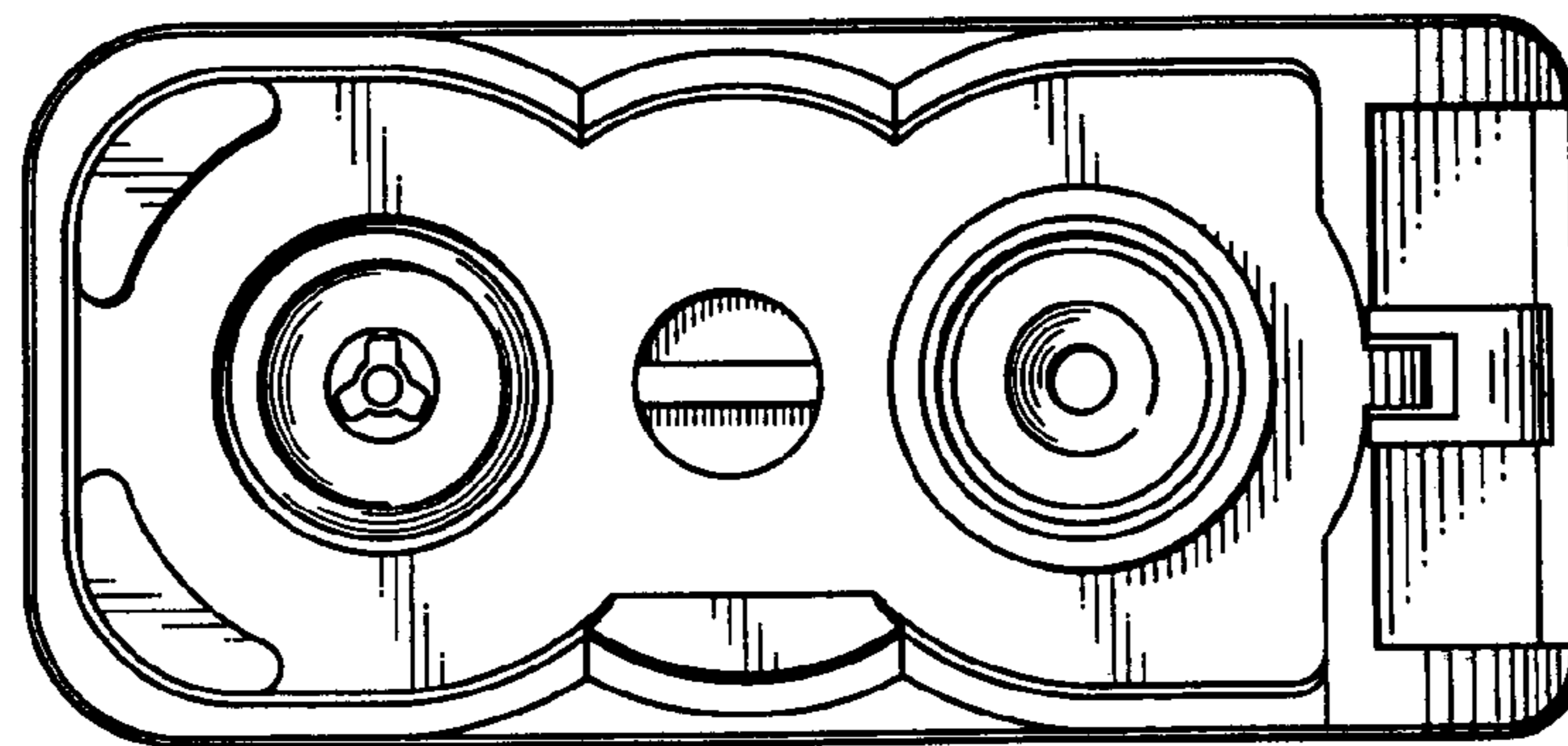


FIG. 3

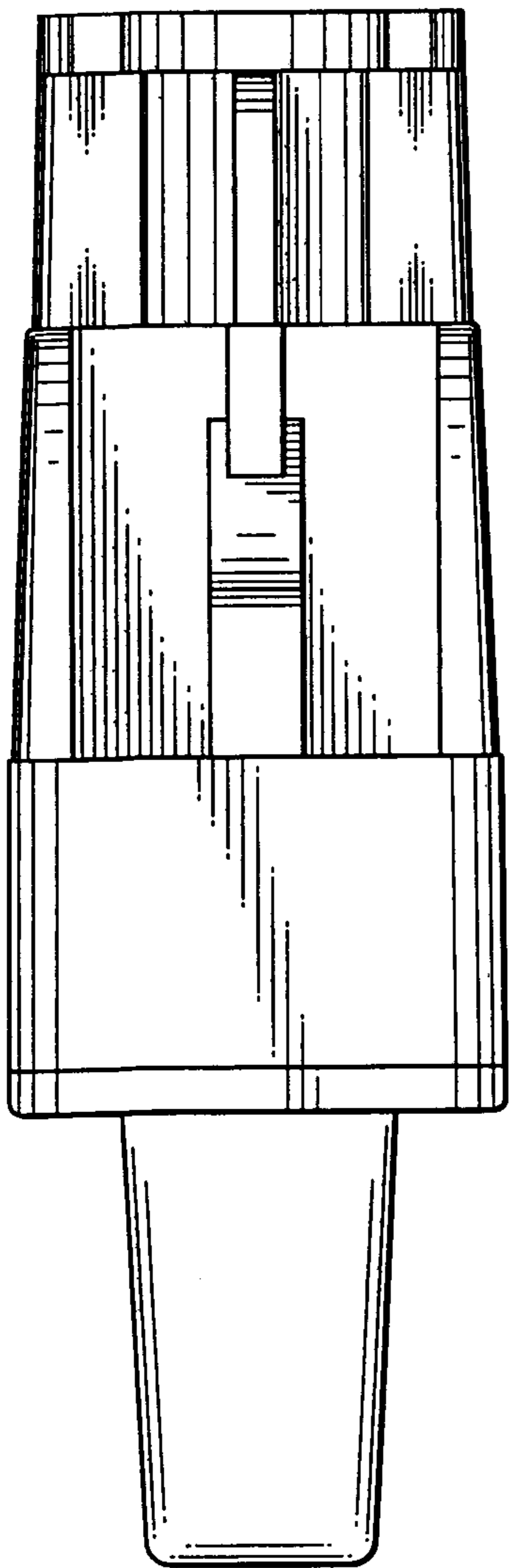


FIG. 4

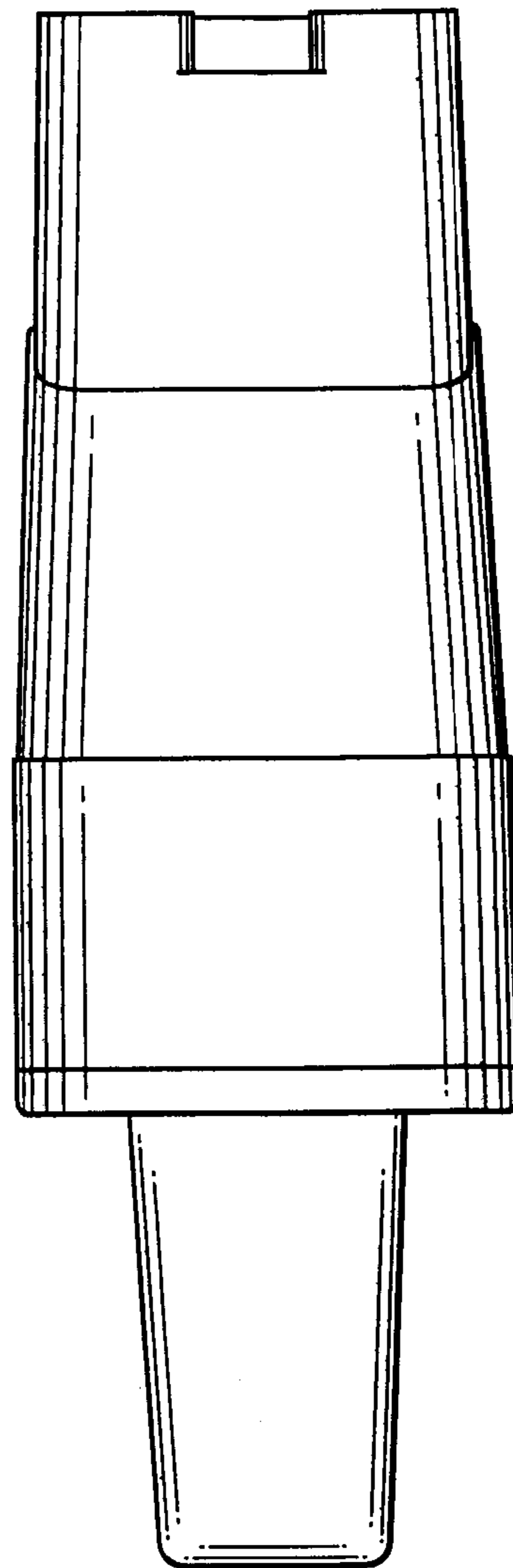


FIG. 5

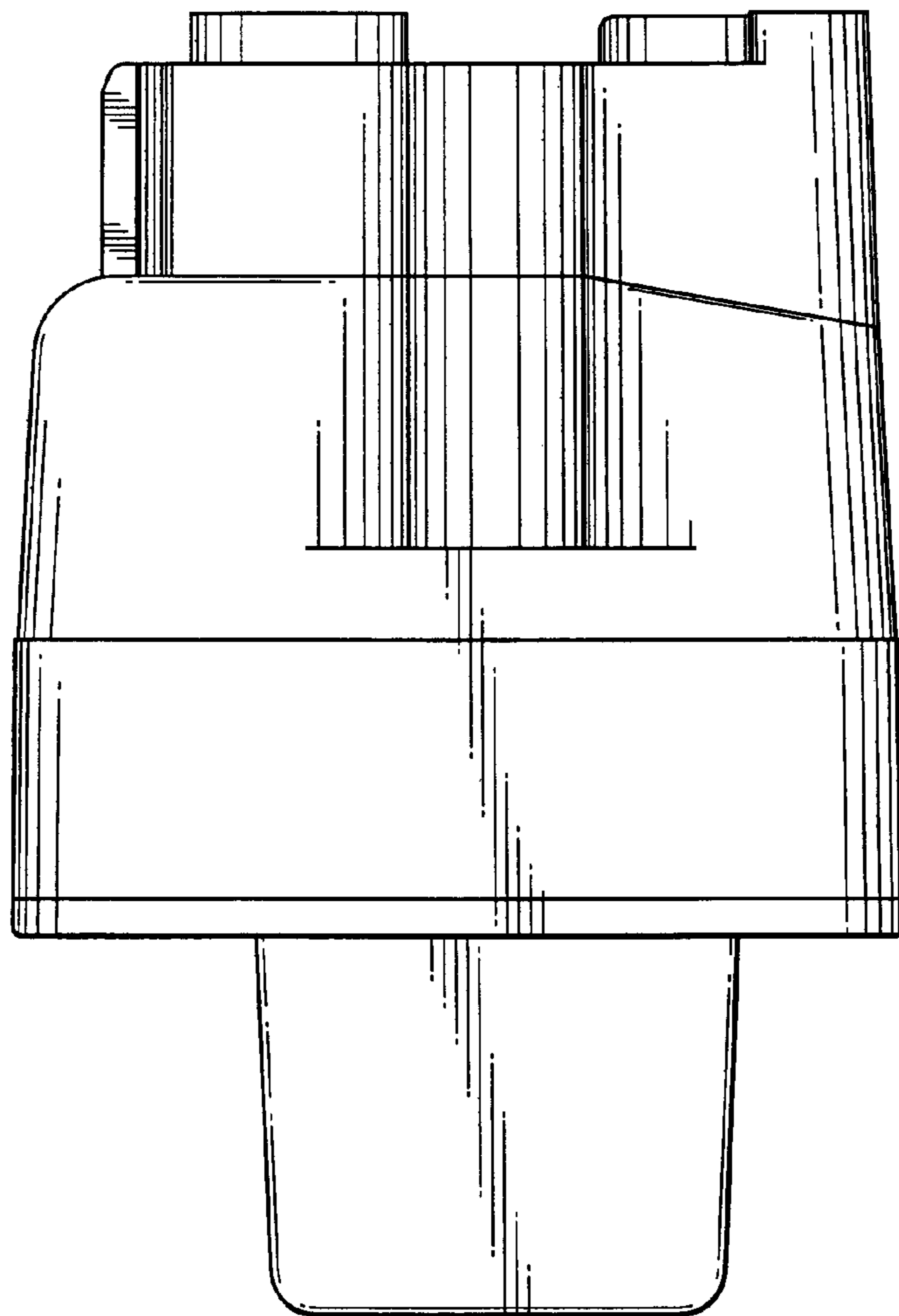


FIG. 6

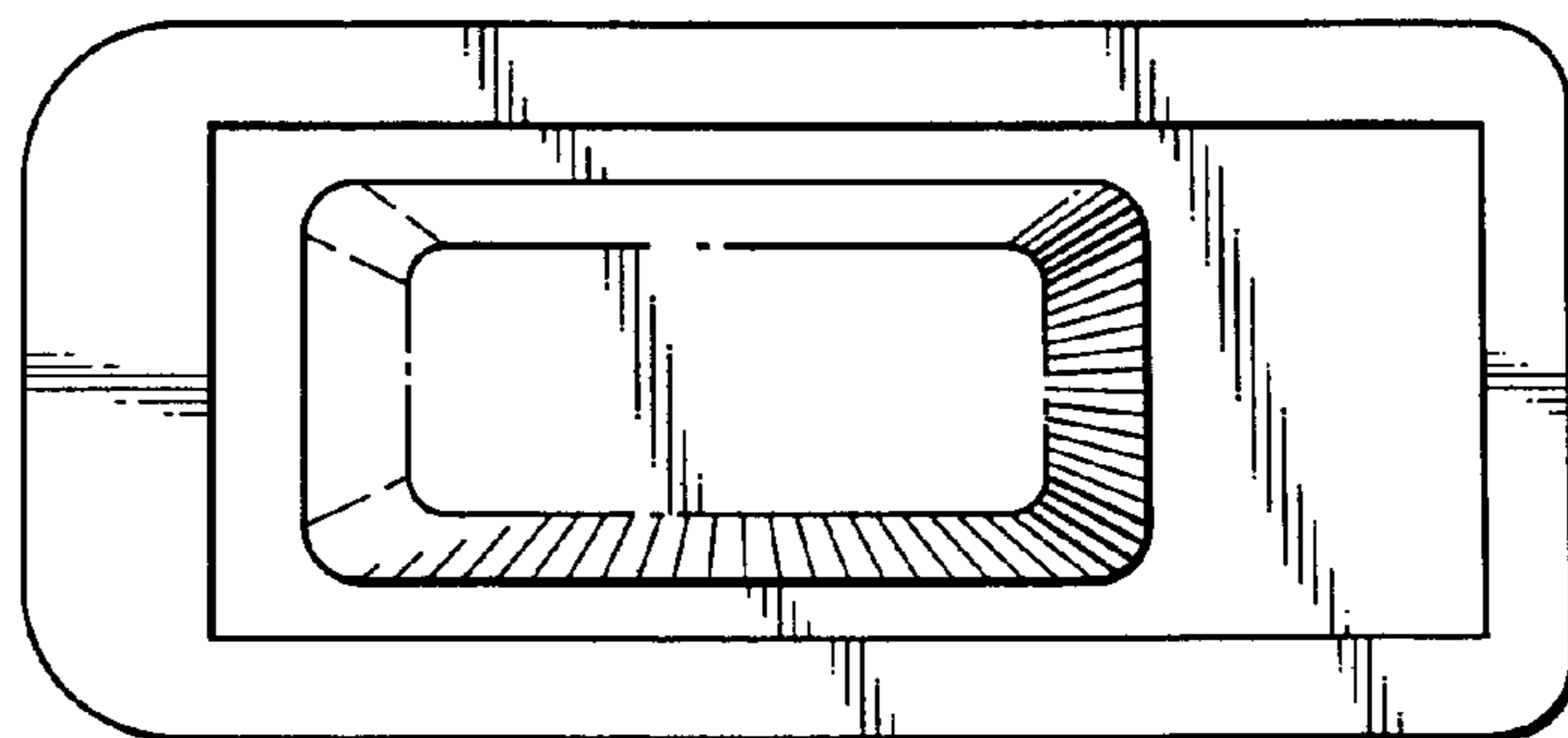


FIG. 7