

US00D519153S

(12) **United States Design Patent**
Sasaki et al.

(10) **Patent No.:** **US D519,153 S**

(45) **Date of Patent:** **** Apr. 18, 2006**

(54) **INK CARTRIDGE**

(75) Inventors: **Toyonori Sasaki**, Anjo (JP); **Shingo Hattori**, Tsushima (JP)

(73) Assignee: **Brother Industries, Ltd.**, Nagoya (JP)

(**) Term: **14 Years**

(21) Appl. No.: **29/209,009**

(22) Filed: **Jul. 12, 2004**

(30) **Foreign Application Priority Data**

Feb. 6, 2004 (JP) 2004-003105

(51) **LOC (8) Cl.** **18-02**

(52) **U.S. Cl.** **D18/56; 347/86**

(58) **Field of Classification Search** D18/40,
D18/43, 56; 347/33, 49, 50, 86-87; 399/110
See application file for complete search history.

(56) **References Cited**

U.S. PATENT DOCUMENTS

| | | | | | |
|------------|---|---------|-------------------|-------|--------|
| D375,523 S | * | 11/1996 | Murray | | D18/56 |
| D377,371 S | * | 1/1997 | Tokuda et al. | | D18/56 |
| D381,681 S | * | 7/1997 | Takenouchi et al. | | D18/56 |
| D395,445 S | * | 6/1998 | Tokuda et al. | | D18/56 |
| D424,103 S | * | 5/2000 | Eckard et al. | | D18/56 |
| D430,897 S | * | 9/2000 | Bishop et al. | | D18/56 |

| | | | | | |
|--------------|---|---------|------------------|-------|--------|
| D437,611 S | * | 2/2001 | Gassett et al. | | D18/56 |
| D441,787 S | * | 5/2001 | Bishop et al. | | D18/56 |
| D456,835 S | * | 5/2002 | Nanjo et al. | | D18/56 |
| D462,382 S | * | 9/2002 | Nanjo et al. | | D18/56 |
| D462,384 S | * | 9/2002 | Sasaki et al. | | D18/56 |
| D465,516 S | * | 11/2002 | Shinada et al. | | D18/56 |
| D466,151 S | * | 11/2002 | Shinada et al. | | D18/56 |
| D477,841 S | * | 7/2003 | Shimizu et al. | | D18/56 |
| 6,742,857 B1 | * | 6/2004 | Koshikawa et al. | | 347/19 |
| 6,945,642 B1 | * | 9/2005 | Yamamoto et al. | | 347/86 |

* cited by examiner

Primary Examiner—Cathy Anne MacCormac

(74) *Attorney, Agent, or Firm*—Oliff & Berridge, PLC

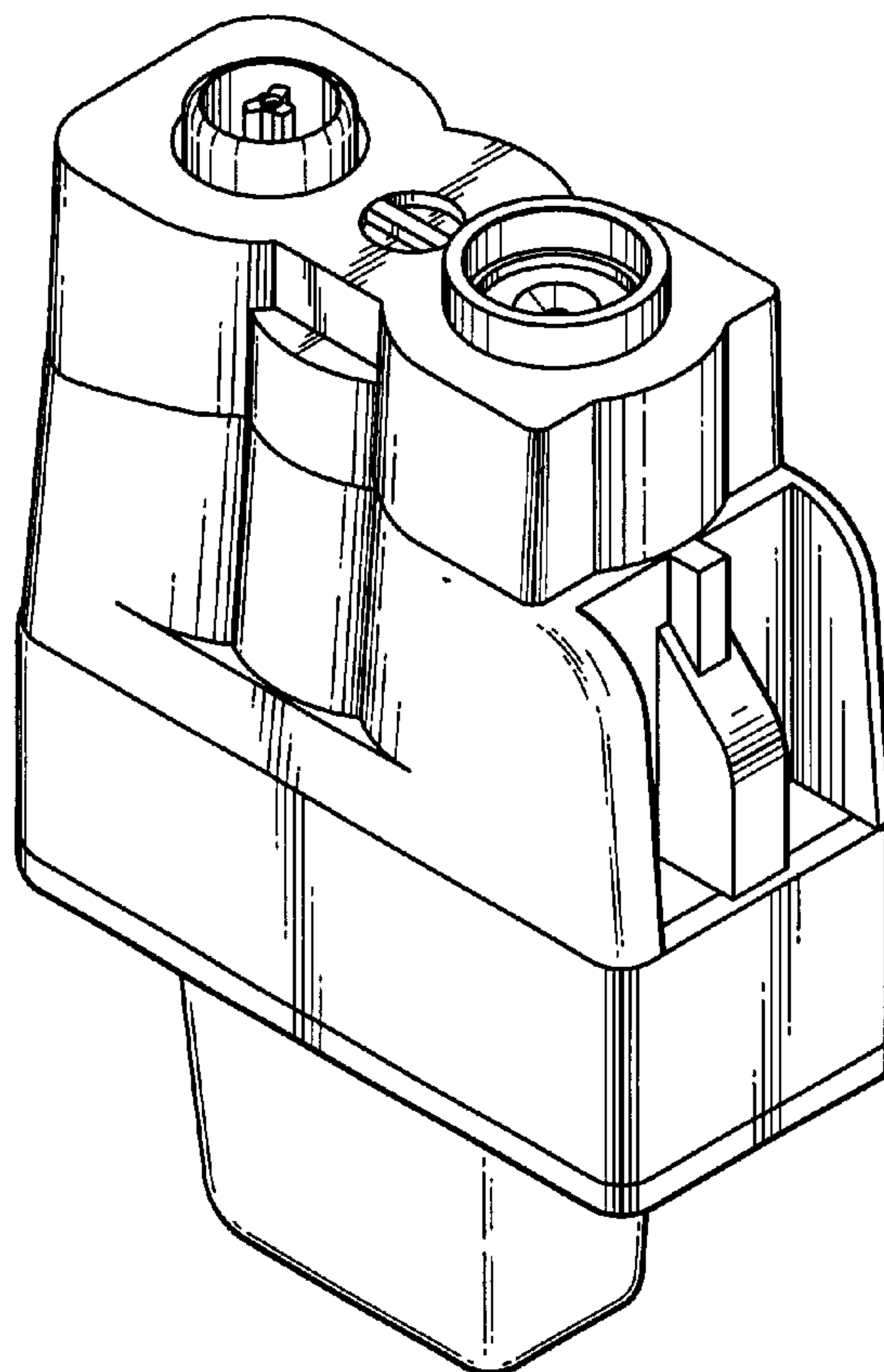
(57) **CLAIM**

The ornamental design for an ink cartridge, as shown and described.

DESCRIPTION

FIG. 1 is a perspective view of an ink cartridge;
FIG. 2 is a front view thereof;
FIG. 3 is a top view thereof;
FIG. 4 is a right-side view thereof;
FIG. 5 is a left-side view thereof;
FIG. 6 is a rear view thereof; and,
FIG. 7 is a bottom view thereof.

1 Claim, 4 Drawing Sheets



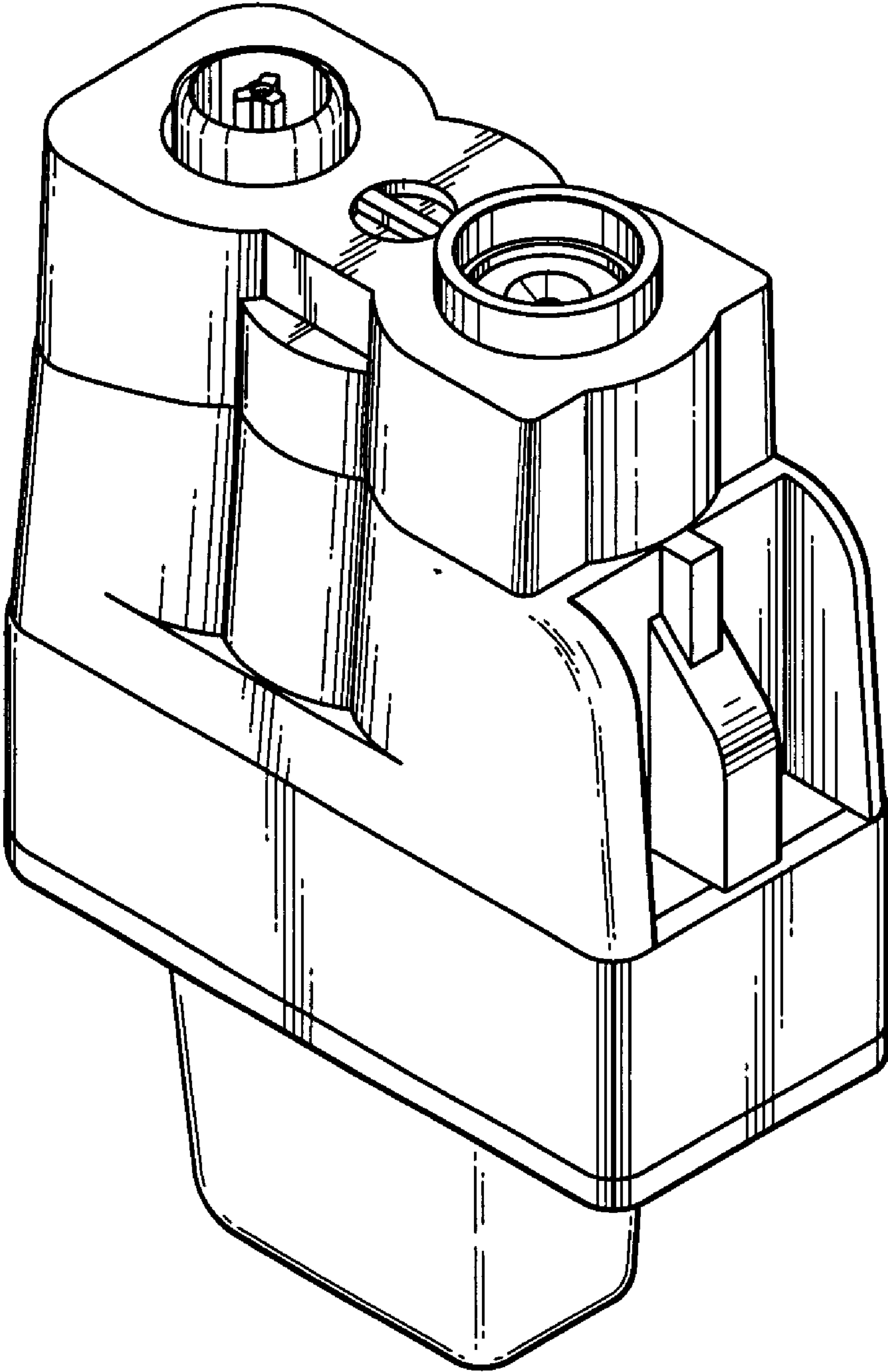


FIG. 1

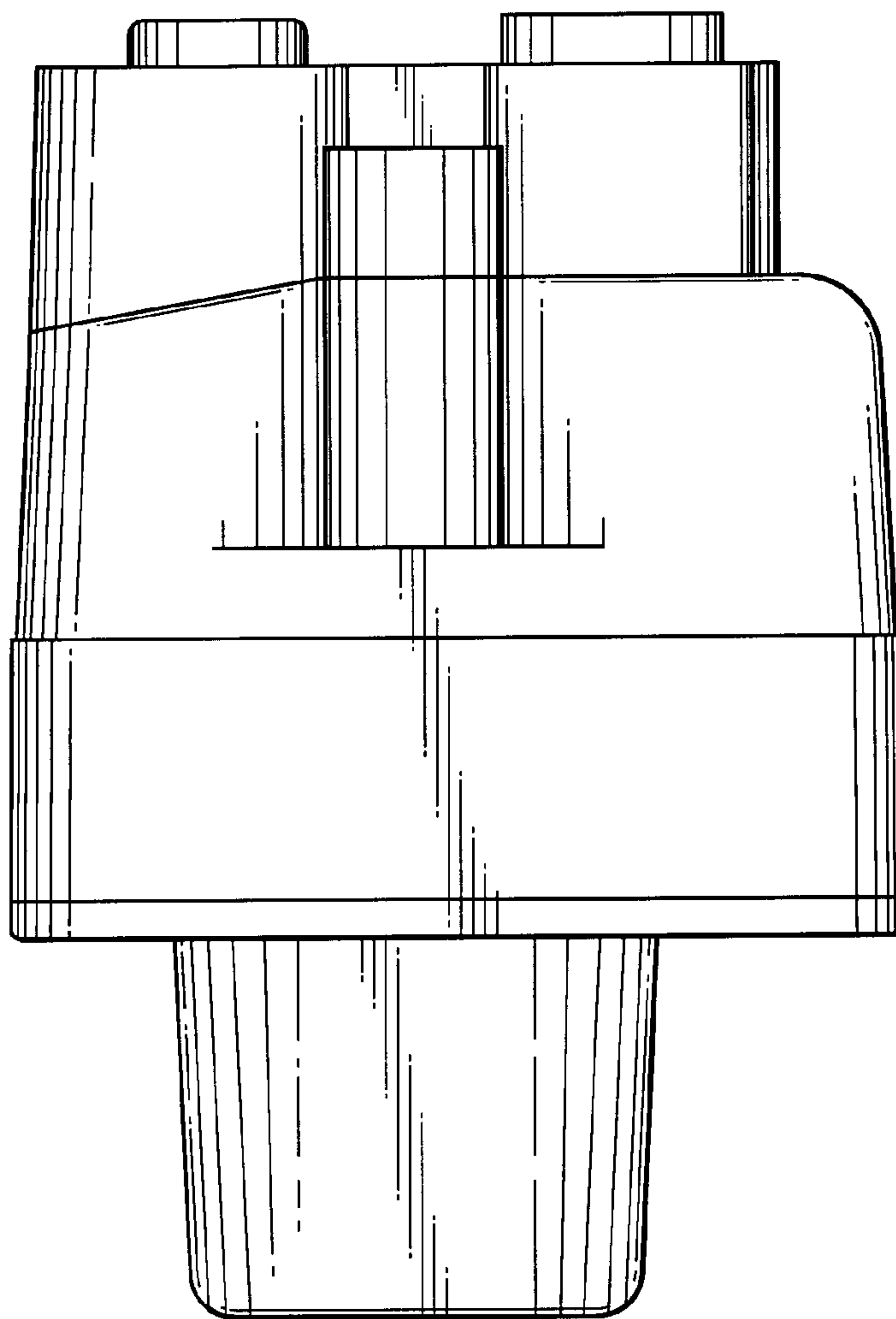


FIG. 2

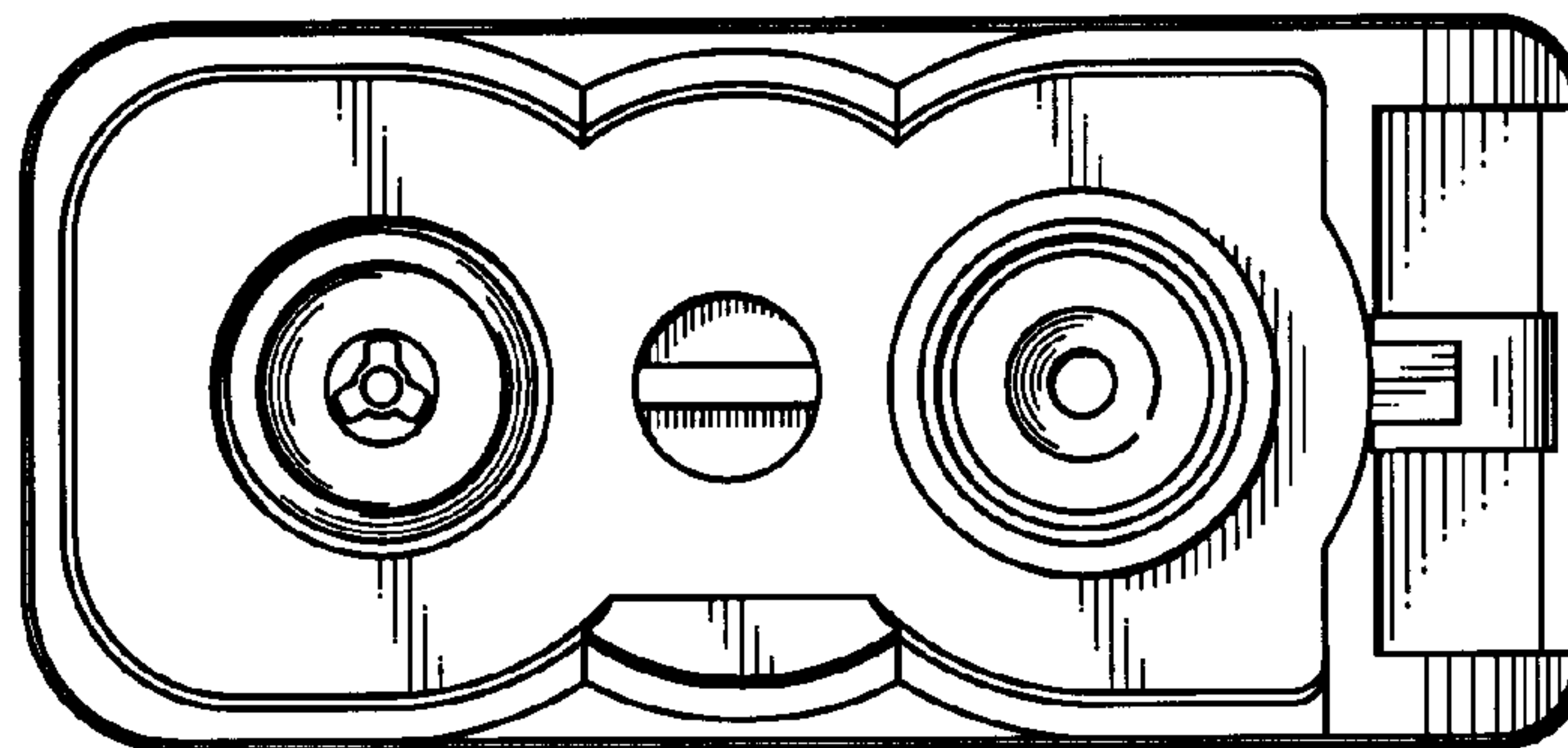


FIG. 3

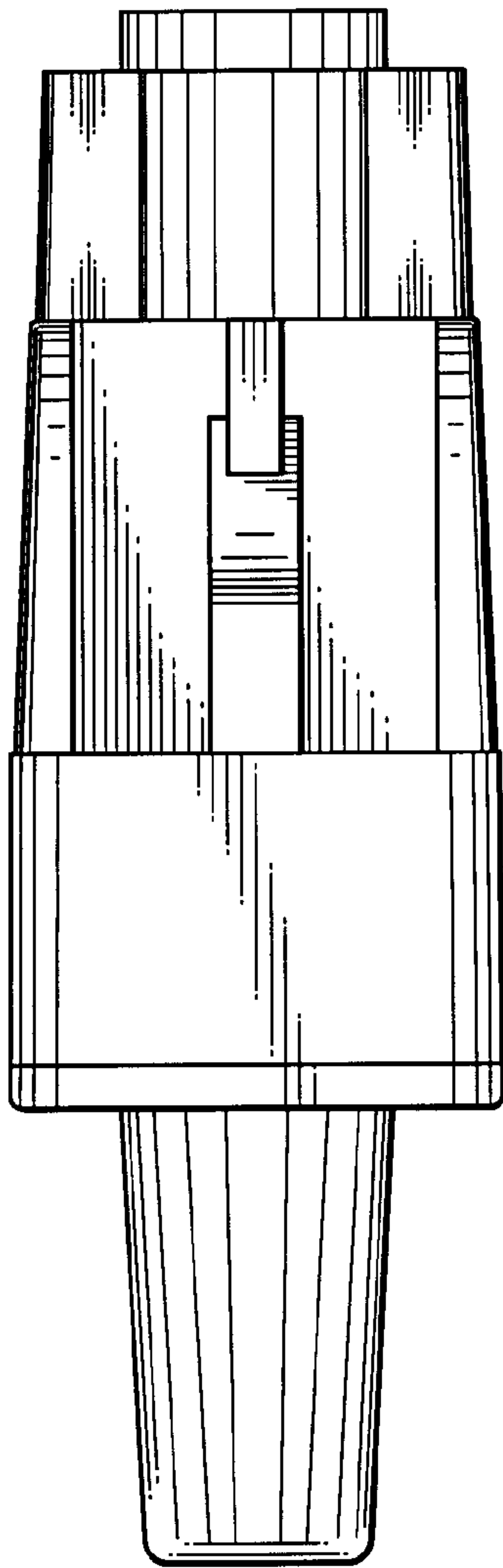


FIG. 4

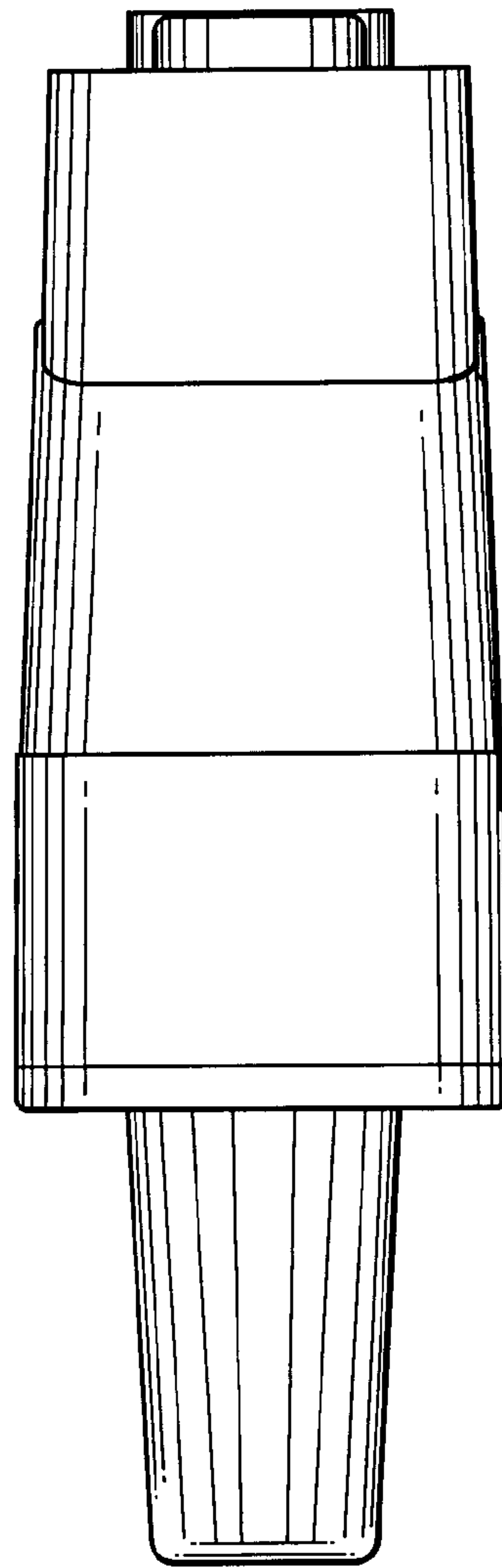


FIG. 5

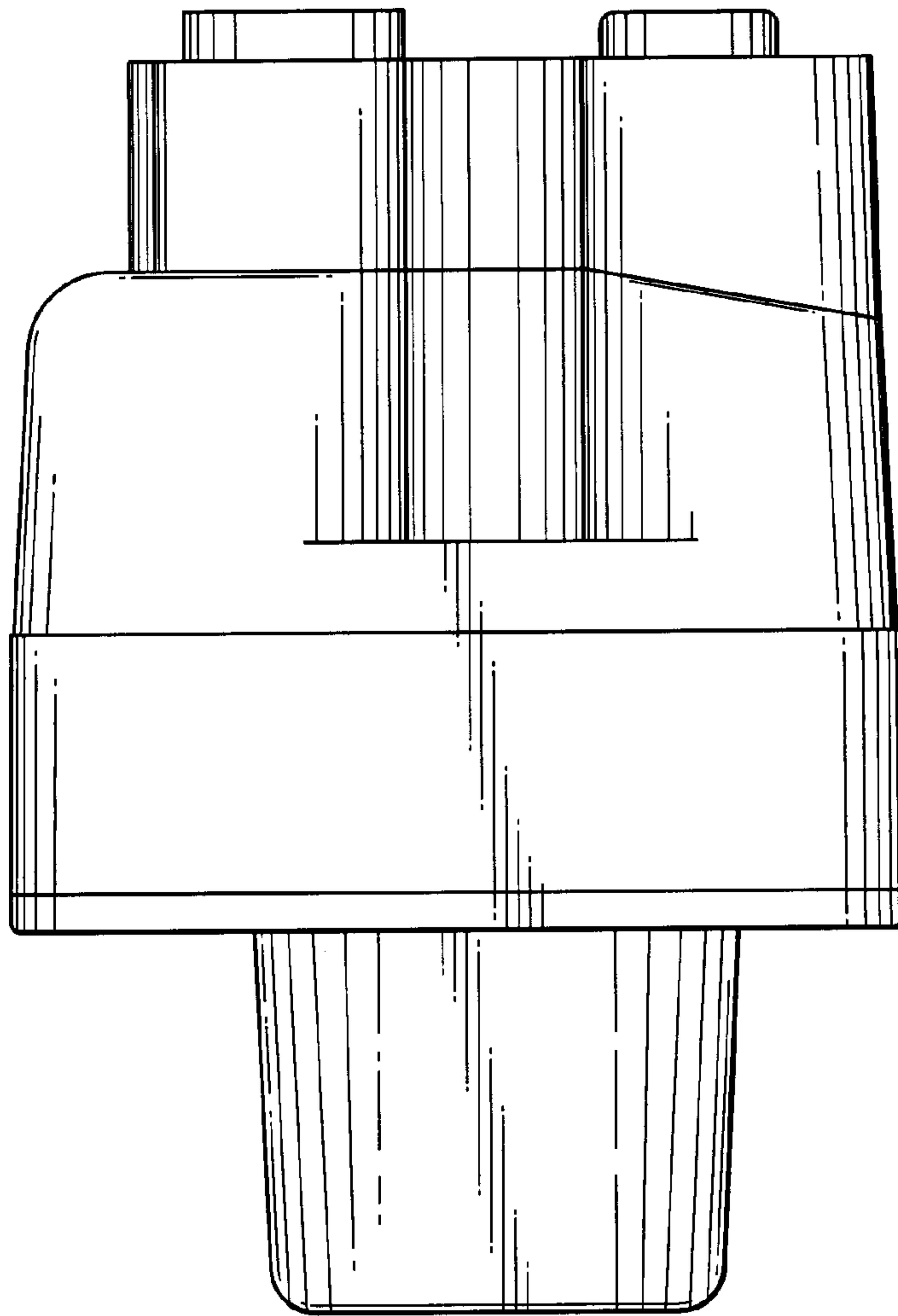


FIG. 6

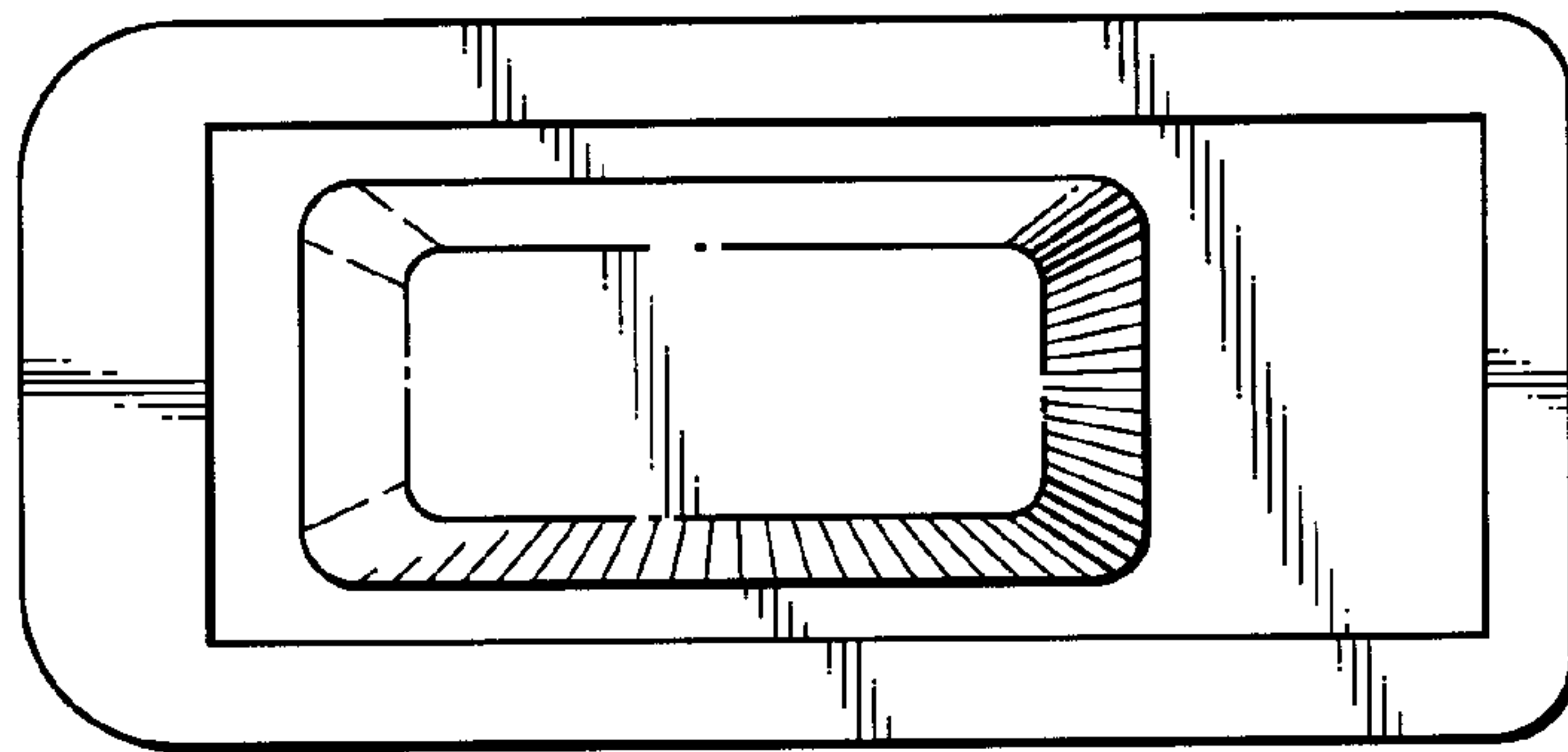


FIG. 7