



US00D519150S

(12) **United States Design Patent**
Kojima et al.

(10) **Patent No.:** **US D519,150 S**
(45) **Date of Patent:** **** Apr. 18, 2006**

(54) **IMAGE FORMING APPARATUS**

(75) Inventors: **Hisayoshi Kojima**, Mishima (JP);
Kanji Yokomori, Odawara (JP);
Kazunari Murayama, Sunto-gun (JP);
Nobuharu Hoshi, Numazu (JP);
Tatsuya Suzuki, Sunto-gun (JP);
Hideki Maeshima, Mishima (JP);
Shinjiro Toba, Mishima (JP); **Takahiro**
Noguchi, Yokohama (JP)

(73) Assignee: **Canon Kabushiki Kaisha**, Tokyo (JP)

(**) Term: **14 Years**

(21) Appl. No.: **29/205,620**

(22) Filed: **May 19, 2004**

(30) **Foreign Application Priority Data**

Nov. 20, 2003 (JP) 2003-034658

(51) **LOC (8) Cl.** **07-99**

(52) **U.S. Cl.** **D18/40; D18/43**

(58) **Field of Classification Search** D18/12,
D18/36-43, 56; 222/DIG. 1; 399/24-30,
399/110-125, 252-262

See application file for complete search history.

(56) **References Cited**

U.S. PATENT DOCUMENTS

D313,616 S * 1/1991 Tokuda D18/36

D442,216 S * 5/2001 Kimura et al. D18/43
D463,817 S * 10/2002 Kunihiro et al. D18/40
D464,671 S * 10/2002 Tanda D18/43
6,587,660 B2 * 7/2003 Ueno et al. 399/252
D489,752 S 5/2004 Yamaguchi et al. D18/40

* cited by examiner

Primary Examiner—Caron D. Veynar

(74) *Attorney, Agent, or Firm*—Fitzpatrick, Cella, Harper & Scinto

(57) **CLAIM**

The ornamental design for an image forming apparatus, as shown and described.

DESCRIPTION

FIG. 1 is a front view of an image forming apparatus showing our new design;

FIG. 2 is a rear view thereof;

FIG. 3 is a top plan view thereof;

FIG. 4 is a bottom plan view thereof;

FIG. 5 is a left side view thereof;

FIG. 6 is a right side view thereof; and,

FIG. 7 is a perspective view thereof.

1 Claim, 5 Drawing Sheets

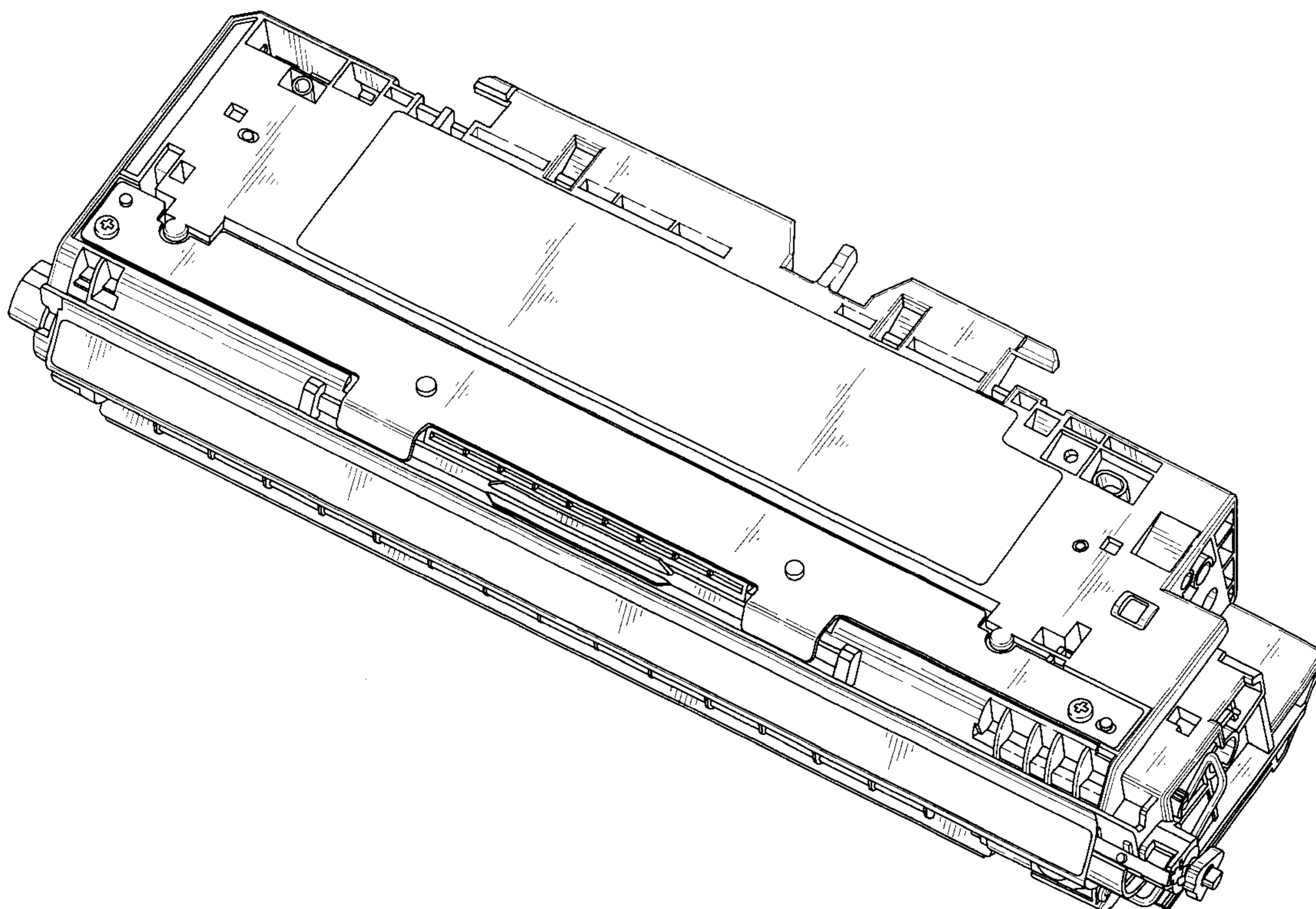


FIG. 1

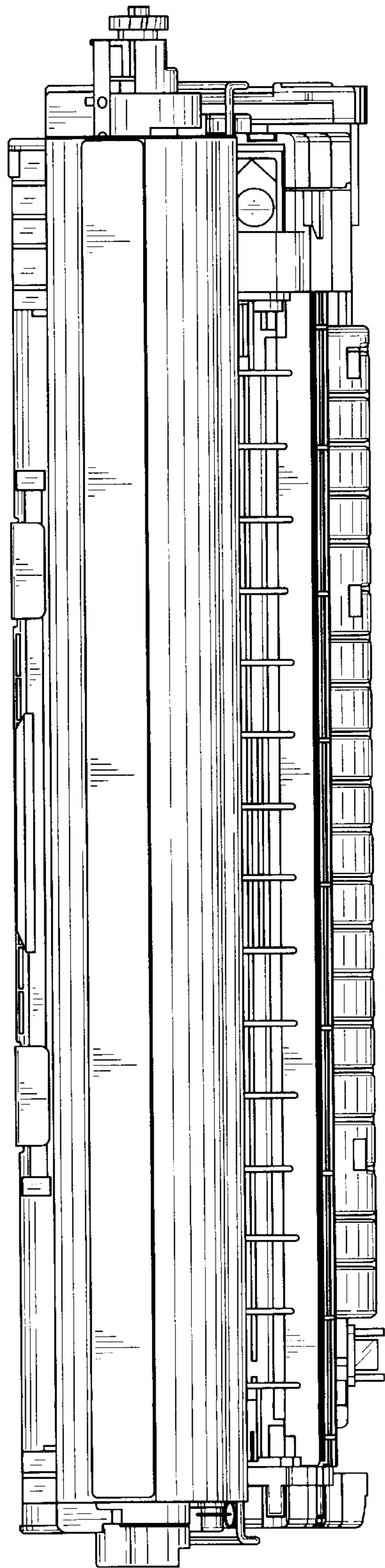


FIG. 2

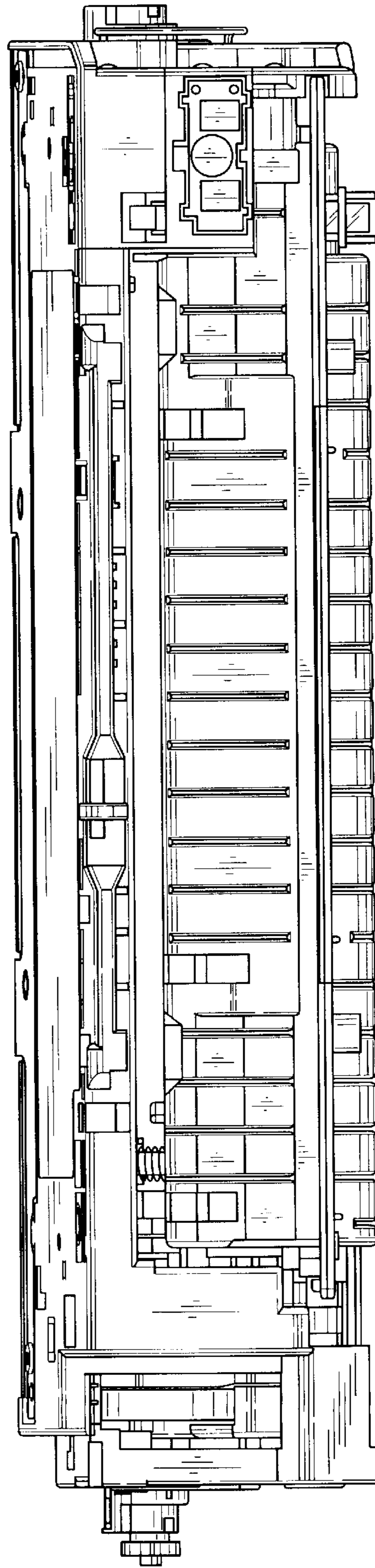


FIG. 3

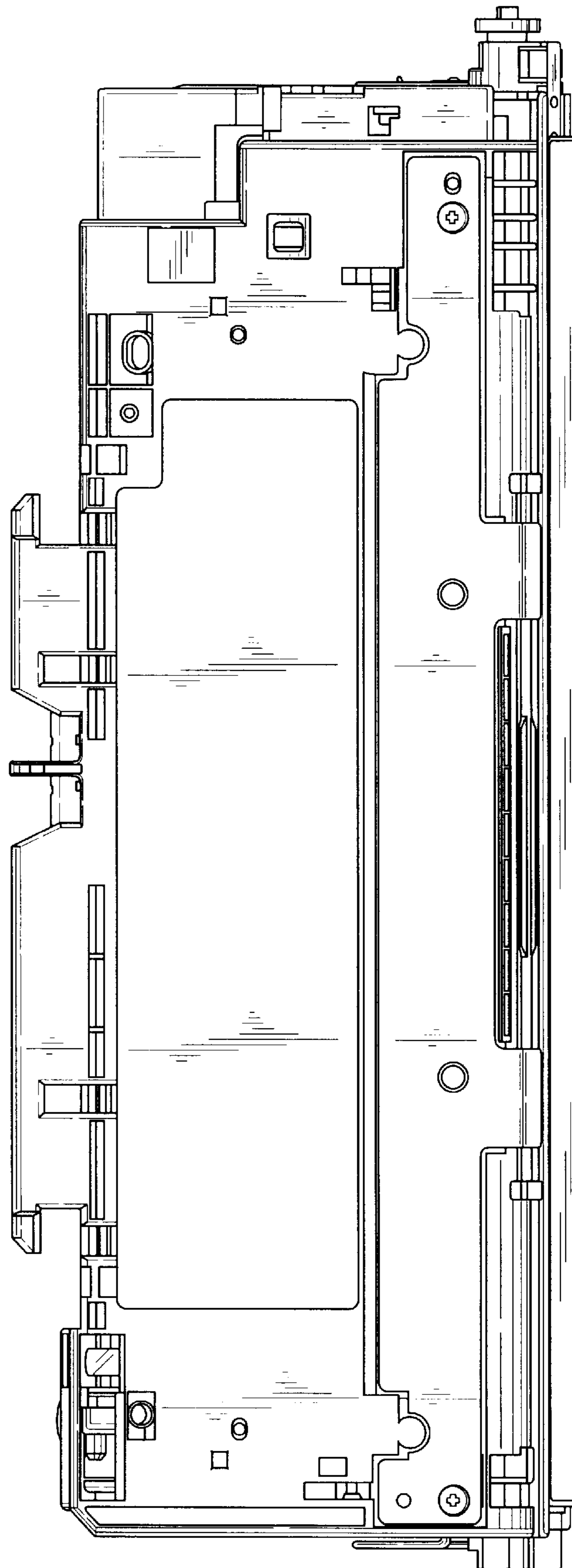


FIG. 4

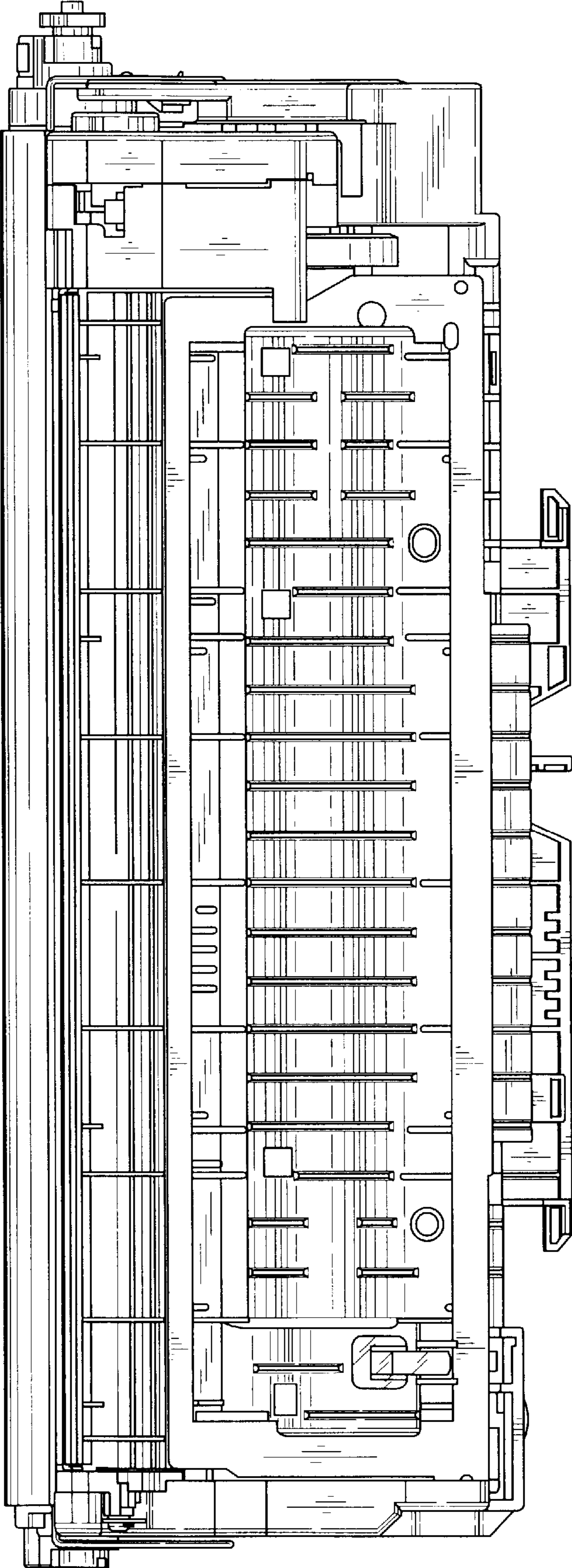


FIG. 5

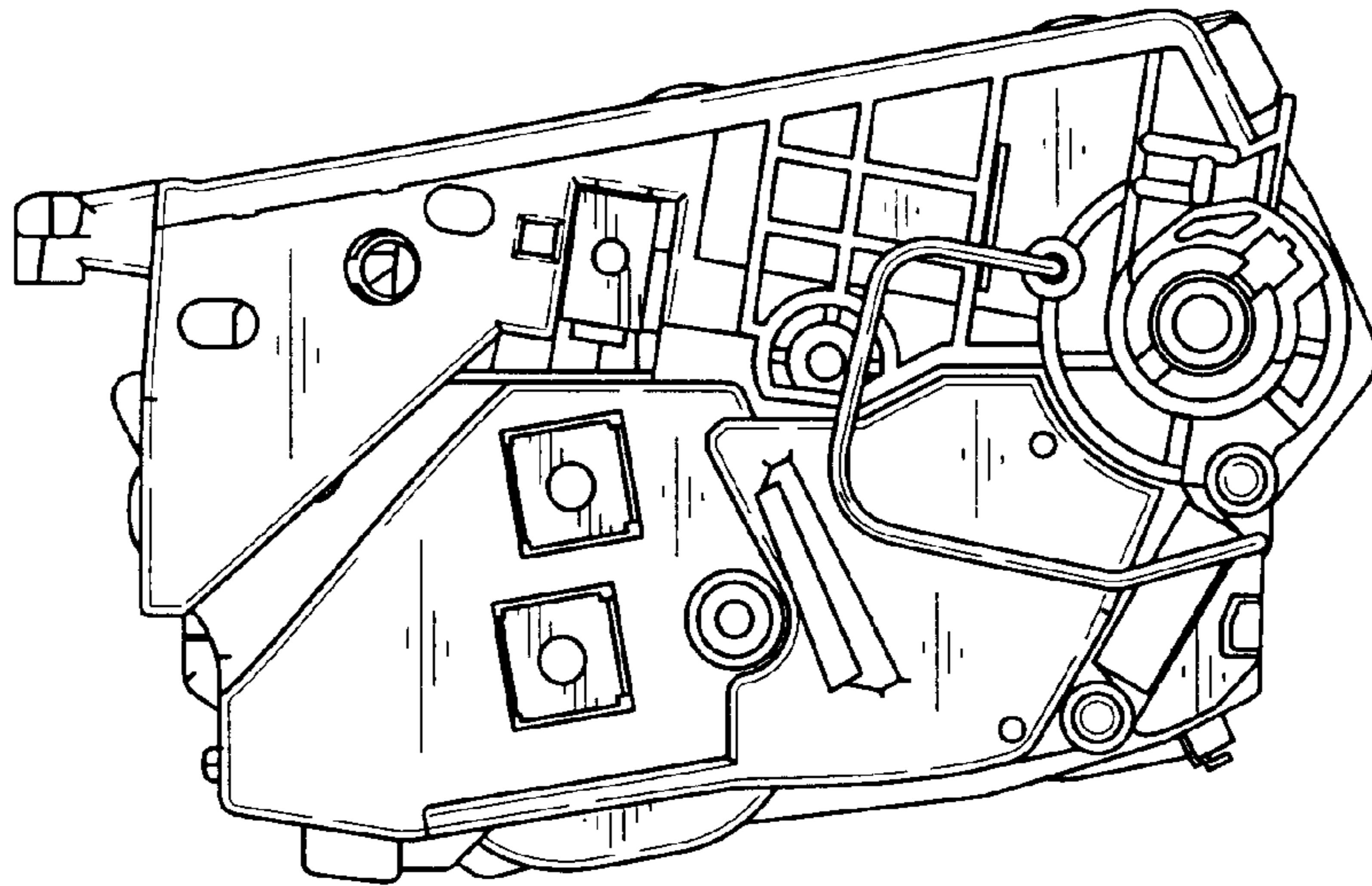
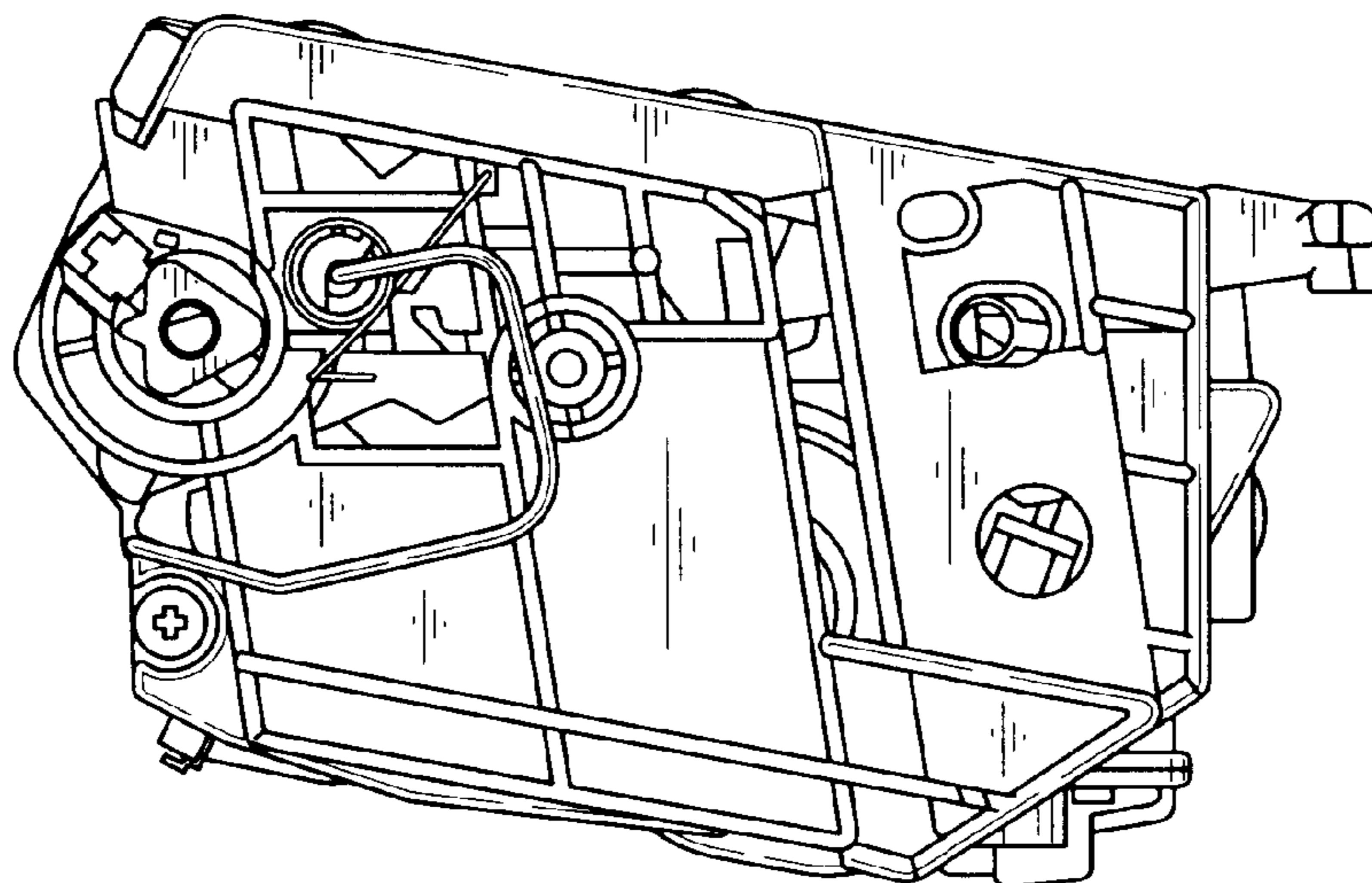


FIG. 6



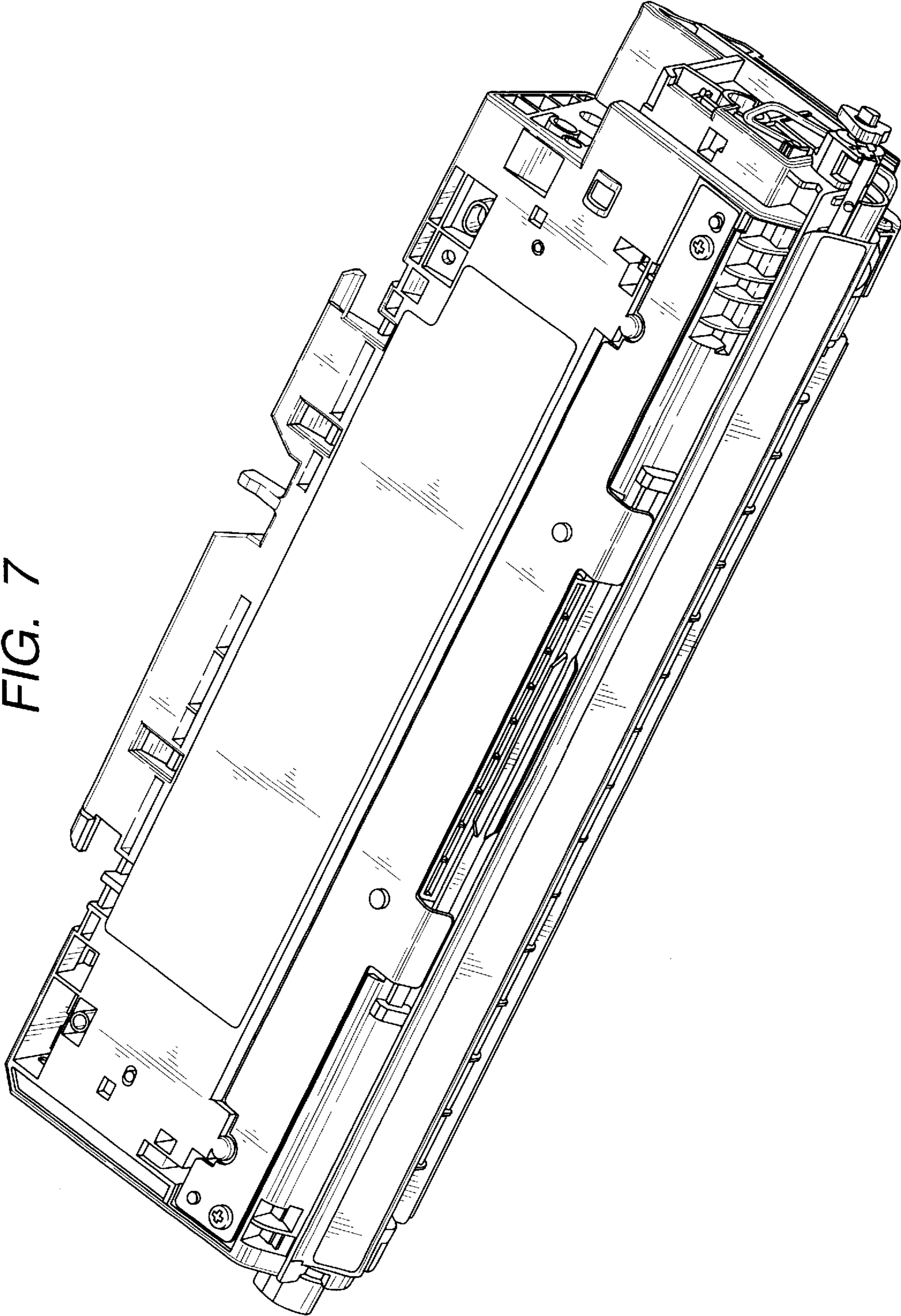


FIG. 7