



US00D519145S

(12) **United States Design Patent**
McElderry

(10) **Patent No.:** **US D519,145 S**
(45) **Date of Patent:** **** Apr. 18, 2006**

(54) **VIDEO CAMERA HANDLE ATTACHMENT**

(76) Inventor: **Daniel J. McElderry**, 1436 Bruce Ave.,
Glendale, CA (US) 91202

(**) Term: **14 Years**

(21) Appl. No.: **29/223,597**

(22) Filed: **Feb. 16, 2005**

D351,851 S	10/1994	Justice
D367,284 S	2/1996	Hoerter
5,721,997 A	2/1998	Powell
D399,863 S	10/1998	Lacicero
6,042,277 A	3/2000	Errington
6,354,544 B1	3/2002	Muzila
6,697,118 B1 *	2/2004	Zadok 348/375
2001/0012455 A1	8/2001	Mulcahey et al.
2002/0168189 A1	11/2002	Mulcahey

Related U.S. Application Data

(62) Division of application No. 29/186,503, filed on Jul. 16, 2003, now Pat. No. Des. 503,421.

(51) **LOC (8) Cl.** **16-05**

(52) **U.S. Cl.** **D16/243; D16/242**

(58) **Field of Classification Search** D16/237,
D16/242, 243; 224/908; 248/178.1, 187.1;
348/373-375; 396/419, 420, 422, 428
See application file for complete search history.

(56) **References Cited**

U.S. PATENT DOCUMENTS

D150,051 S	*	6/1948	Bensen	D16/239
3,575,098 A		4/1971	Jones		
3,820,148 A	*	6/1974	Osanai	396/420
D246,372 S		11/1977	Yoshino		
4,104,623 A	*	8/1978	Sloop	396/422
D270,916 S	*	10/1983	Cheplo	D16/243
D302,697 S		8/1989	Parrish		
D323,181 S		1/1992	Puskas et al.		
5,121,147 A		6/1992	Wada et al.		
5,246,193 A		9/1993	Faidley		

FOREIGN PATENT DOCUMENTS

JP 1316732 12/1989

* cited by examiner

Primary Examiner—Adir Aronovich

(74) *Attorney, Agent, or Firm*—Christie, Parker & Hale, LLP

(57) **CLAIM**

The ornamental design for a video camera handle attachment, as shown and described.

DESCRIPTION

FIG. 1 is a perspective view of a video camera handle attachment showing my new design;
FIG. 2 is a top plan view thereof;
FIG. 3 is a left side elevational view of the design, the undisclosed right side being a mirror image thereof;
FIG. 4 is a bottom plan view thereof;
FIG. 5 is a back elevational view; and,
FIG. 6 is a front elevational view.

1 Claim, 5 Drawing Sheets

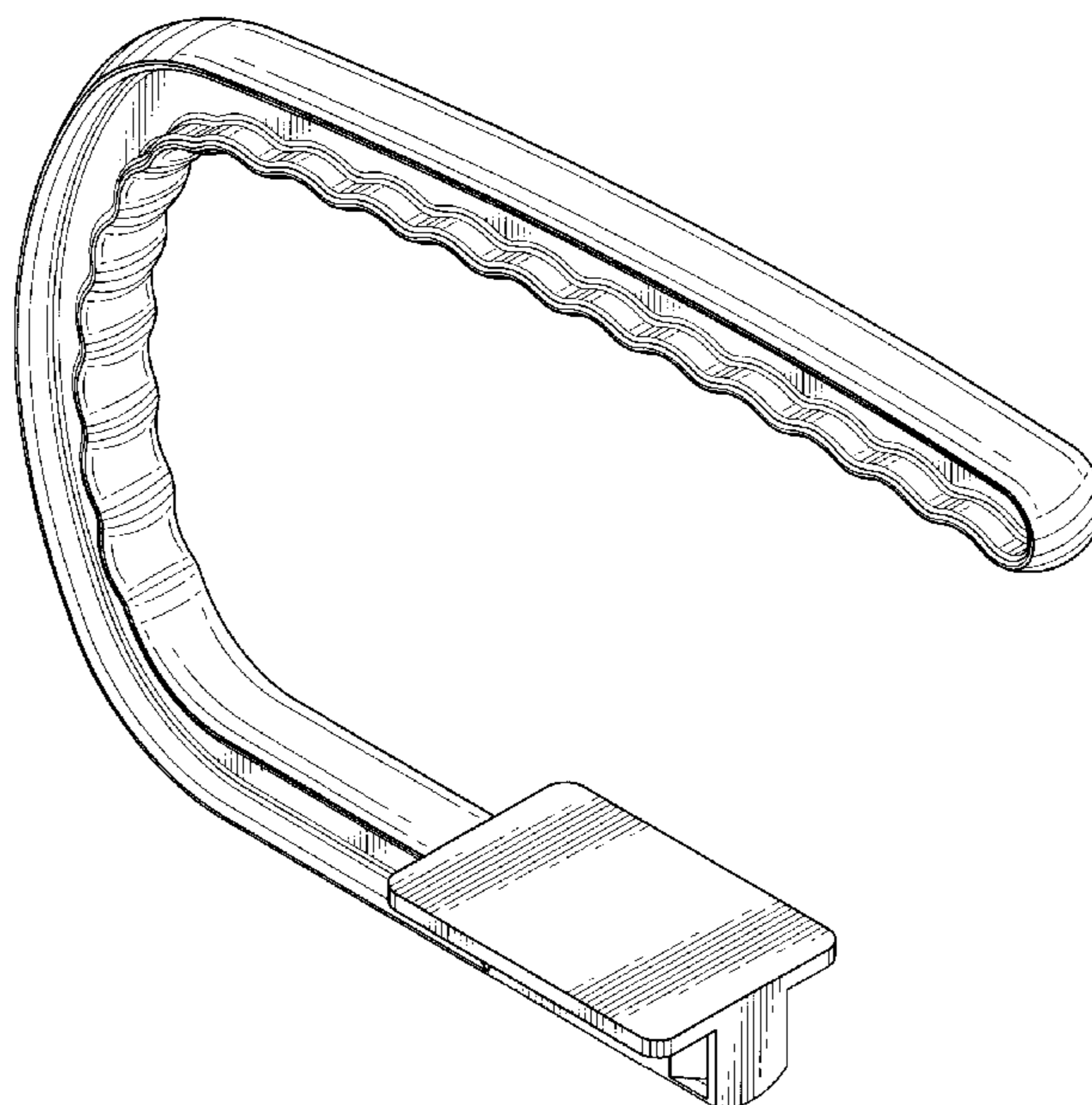


FIG. 1

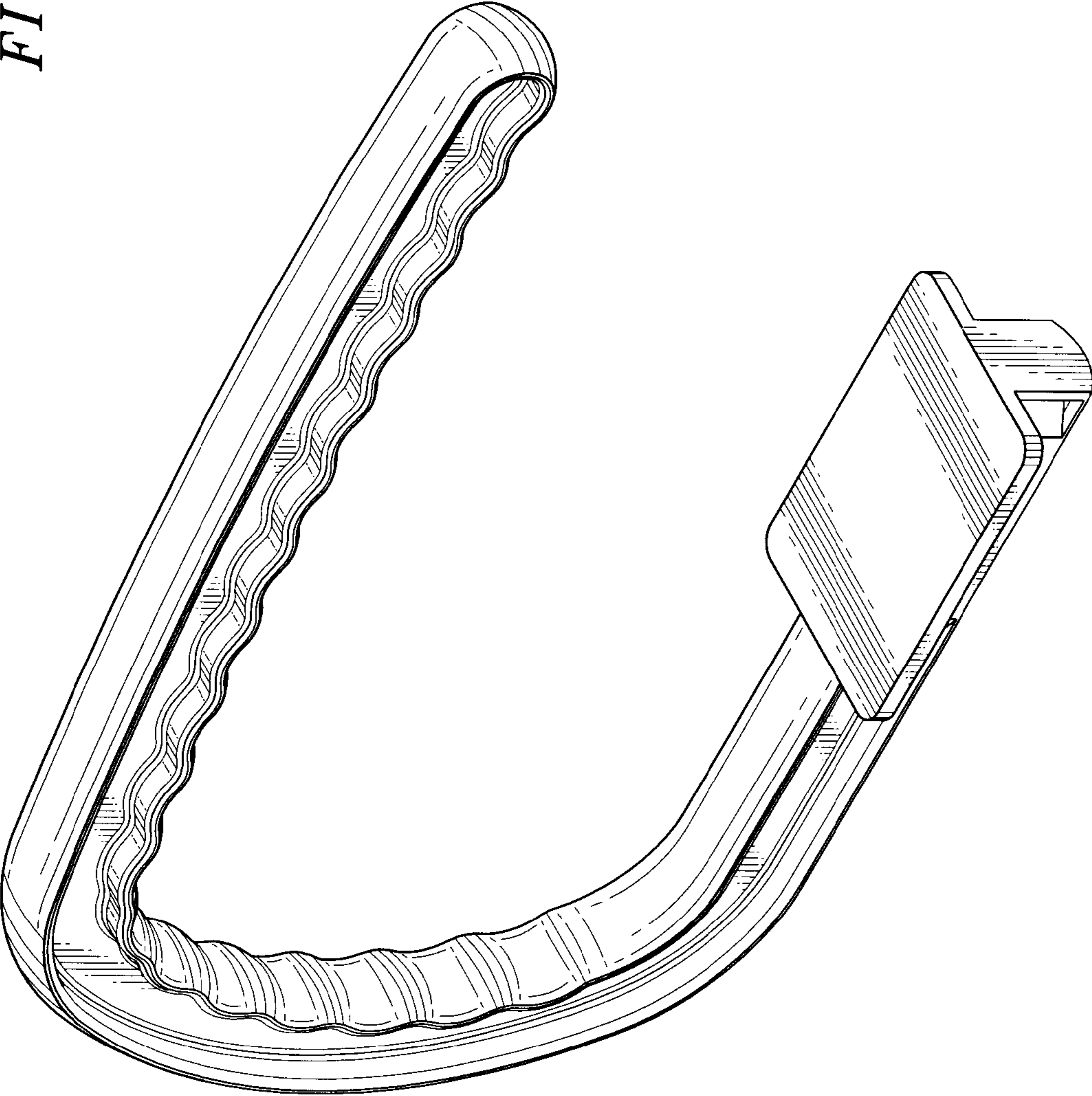
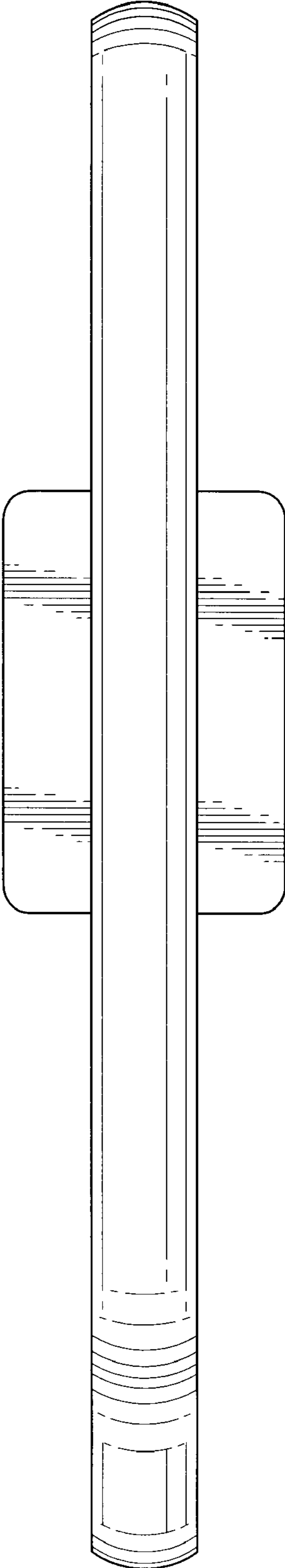


FIG. 2



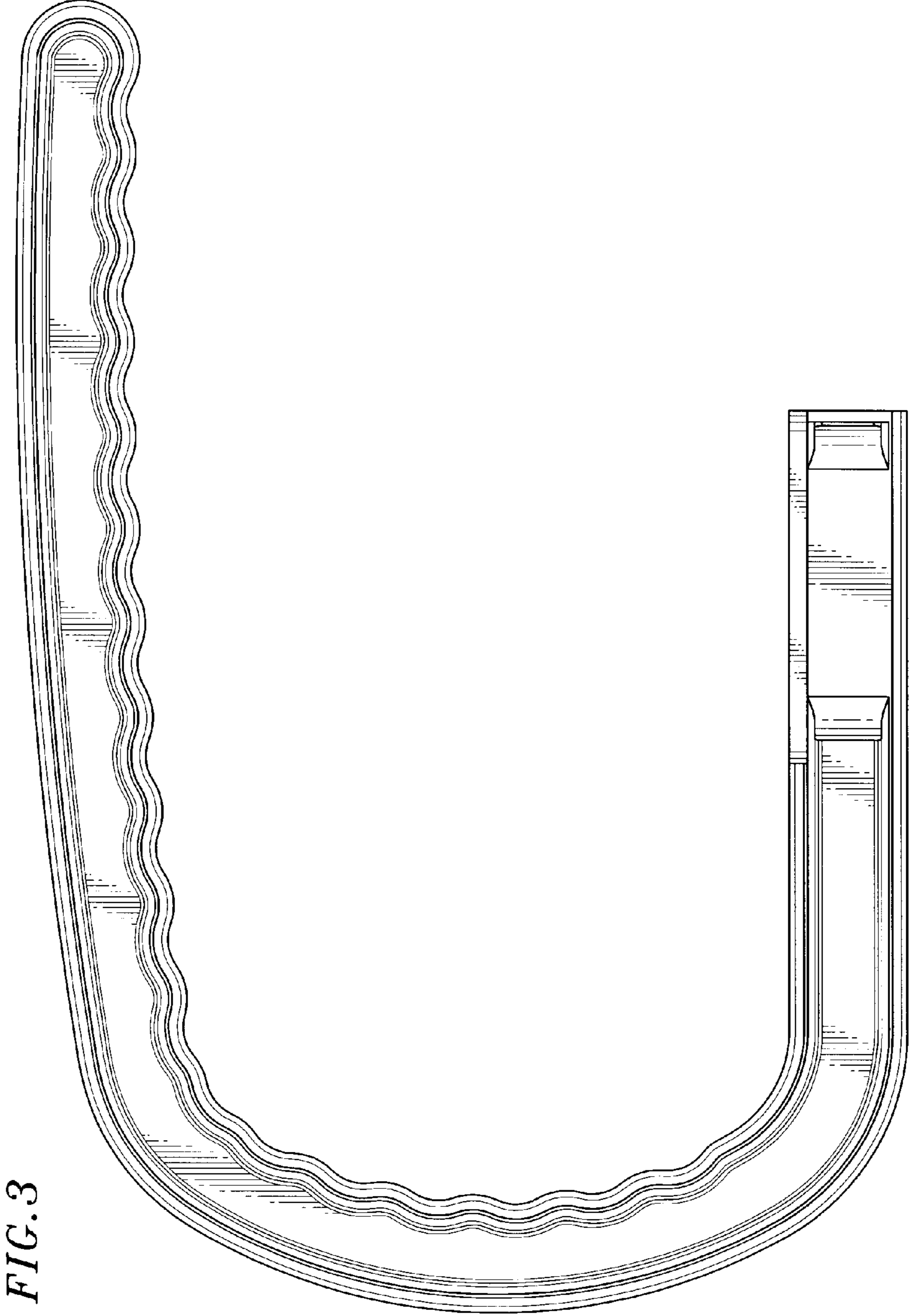
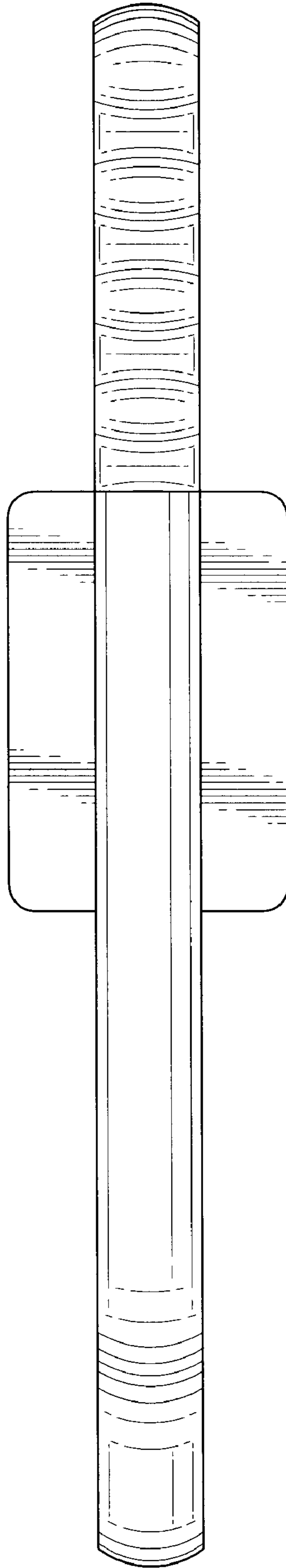


FIG. 4



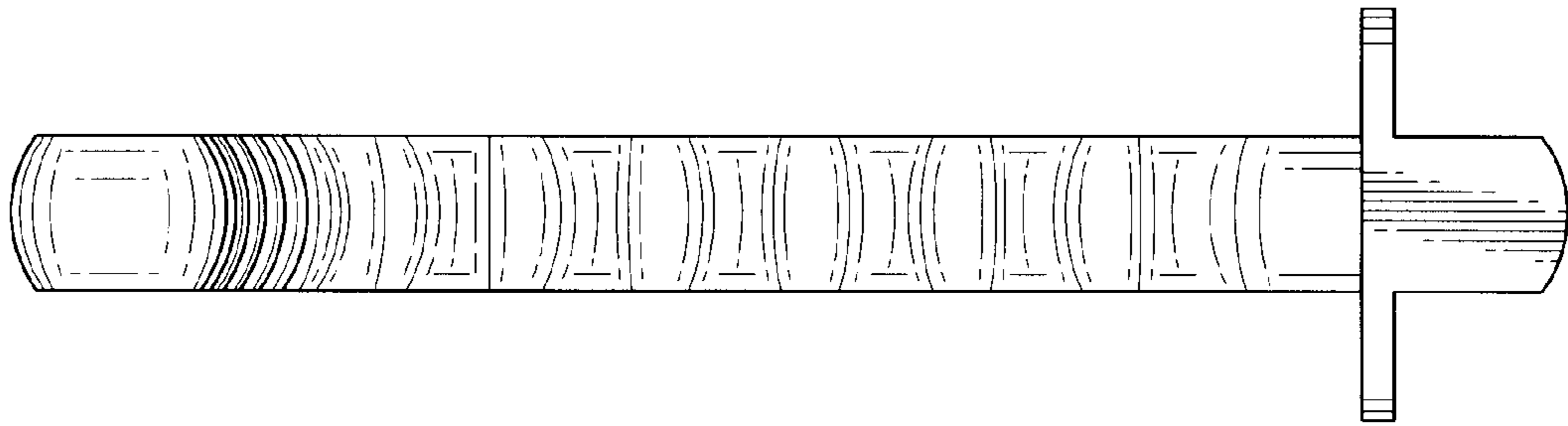


FIG. 6

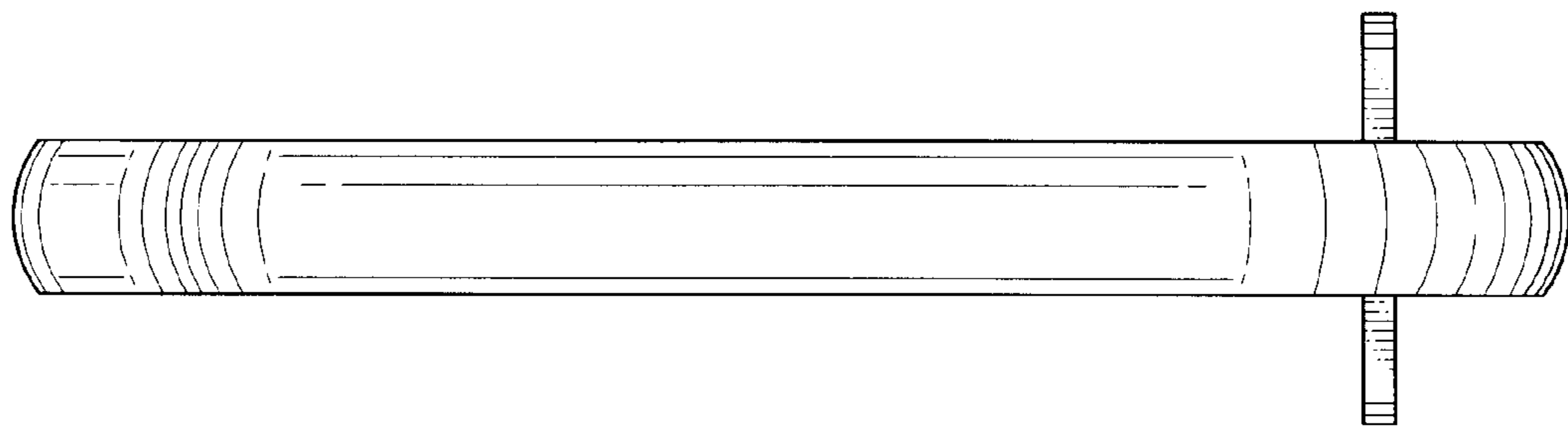


FIG. 5