



US00D519144S

(12) **United States Design Patent**
Kato et al.

(10) **Patent No.:** **US D519,144 S**
(45) **Date of Patent:** **** Apr. 18, 2006**

(54) **IMAGE PICKUP APPARATUS**

(75) Inventors: **Tetsuro Kato**, Nagoya (JP); **Yoshihiko Araya**, Kariya (JP)

(73) Assignee: **Elmo Co., Ltd.**, Aichi (JP)

(**) Term: **14 Years**

(21) Appl. No.: **29/205,782**

(22) Filed: **May 20, 2004**

(30) **Foreign Application Priority Data**

Jan. 13, 2004 (JP) 2004-000499

(51) **LOC (8) Cl.** **16-02**

(52) **U.S. Cl.** **D16/232; D14/423**

(58) **Field of Classification Search** D14/423;
D16/208, 221, 225, 229, 232; 353/115, 119,
353/122, DIG. 3, DIG. 4
See application file for complete search history.

(56) **References Cited**

U.S. PATENT DOCUMENTS

D387,038 S * 12/1997 Sakuta et al. D14/423
D423,472 S 4/2000 Adachi D16/232

D424,091 S * 5/2000 Oh D16/232
6,065,839 A * 5/2000 Miyata et al. 353/122
D433,683 S * 11/2000 Adachi et al. D16/232
D454,351 S * 3/2002 Adachi et al. D14/423
D497,914 S * 11/2004 Adachi et al. D14/423

* cited by examiner

Primary Examiner—Adir Aronovich

(74) *Attorney, Agent, or Firm*—Koda & Androlia

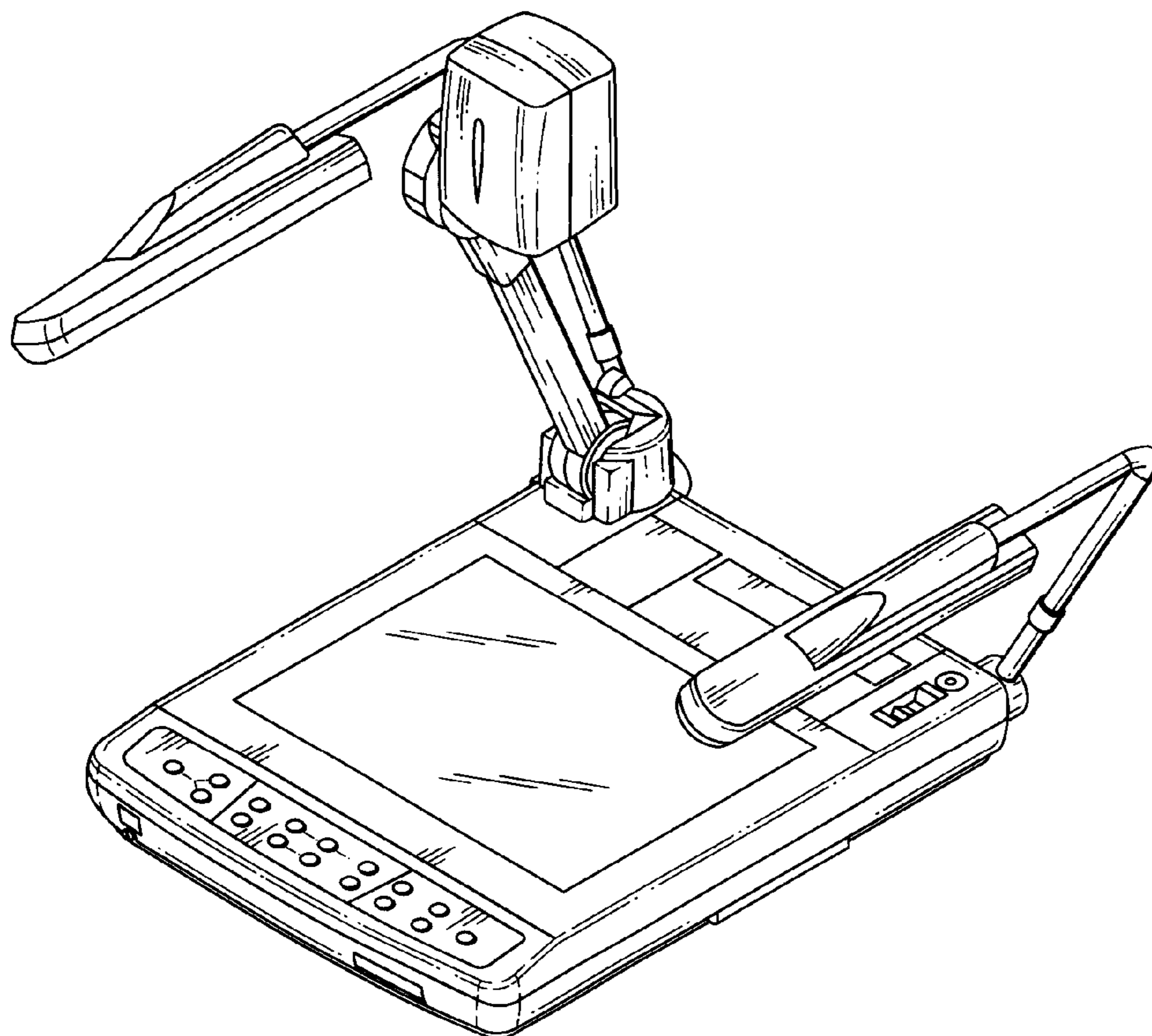
(57) **CLAIM**

The ornamental design for an image pickup apparatus, as shown and described.

DESCRIPTION

FIG. 1 is a front elevational view of an image pickup apparatus showing our new design;
FIG. 2 is a rear elevational view thereof;
FIG. 3 is a top plan view thereof;
FIG. 4 is a bottom plan view thereof;
FIG. 5 is a left side elevational view thereof;
FIG. 6 is a right side elevational view thereof; and,
FIG. 7 is a perspective view taken from the front, top and right side of the image pickup apparatus.

1 Claim, 7 Drawing Sheets



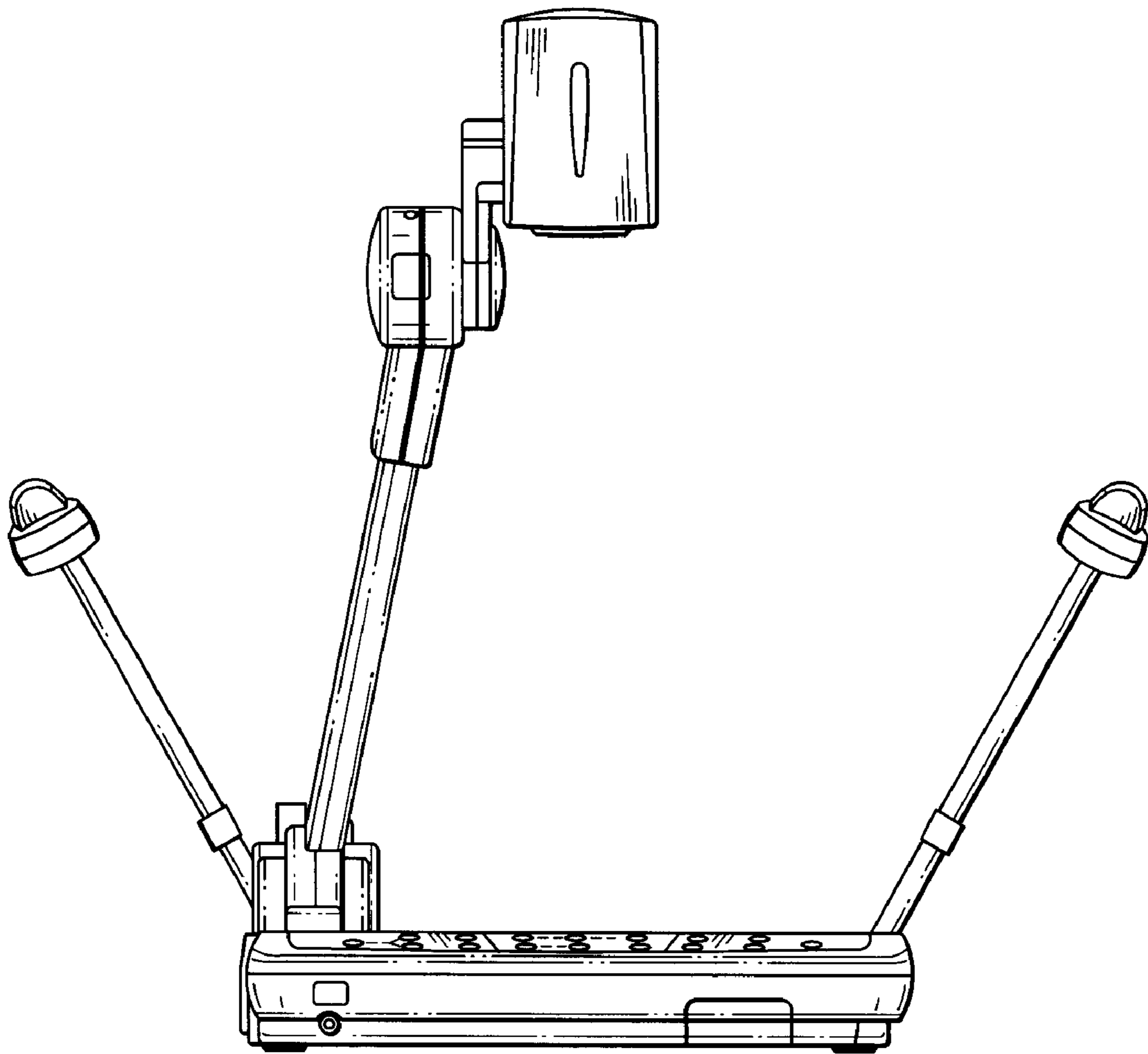


FIG. 1

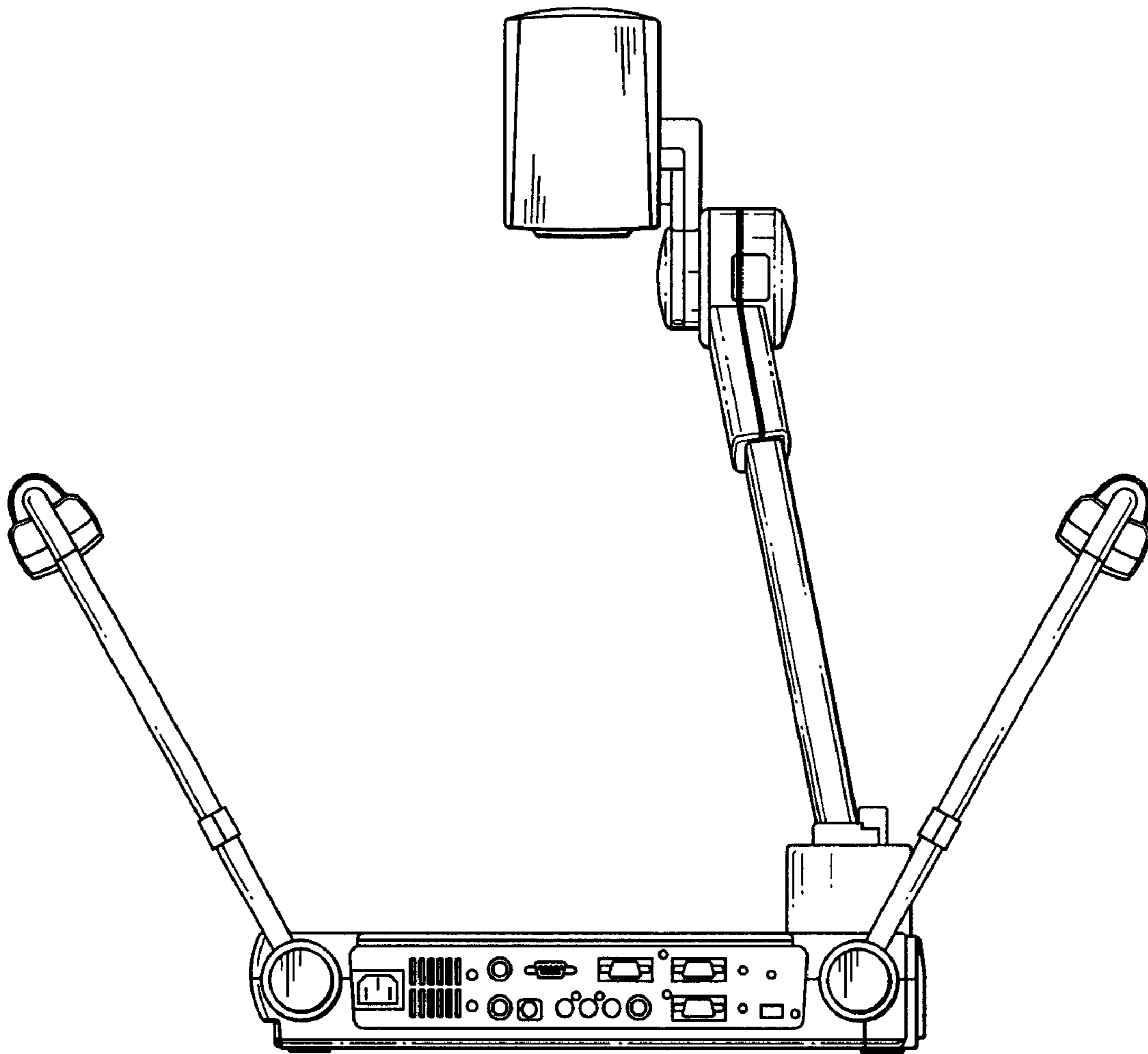


FIG. 2

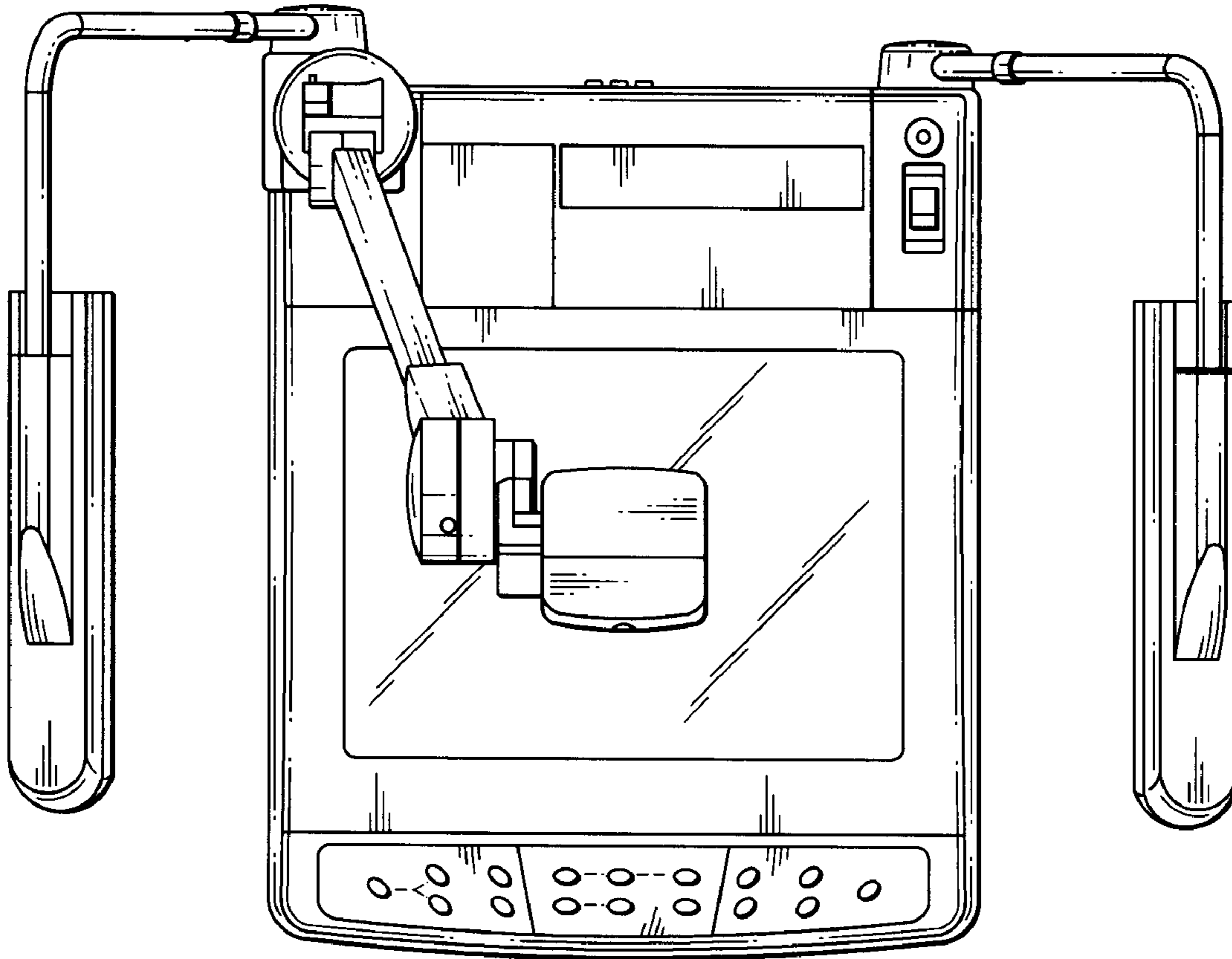


FIG. 3

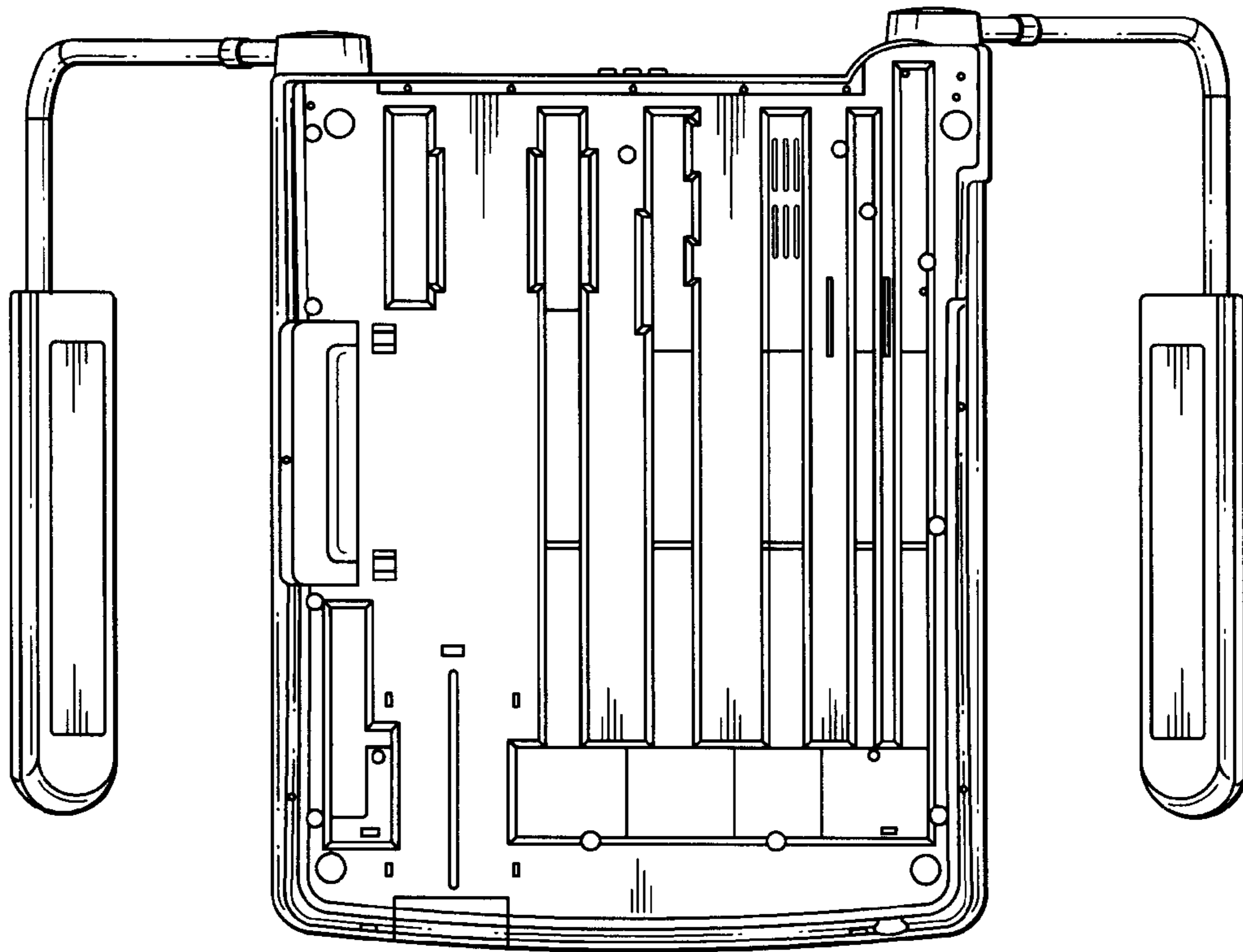


FIG. 4

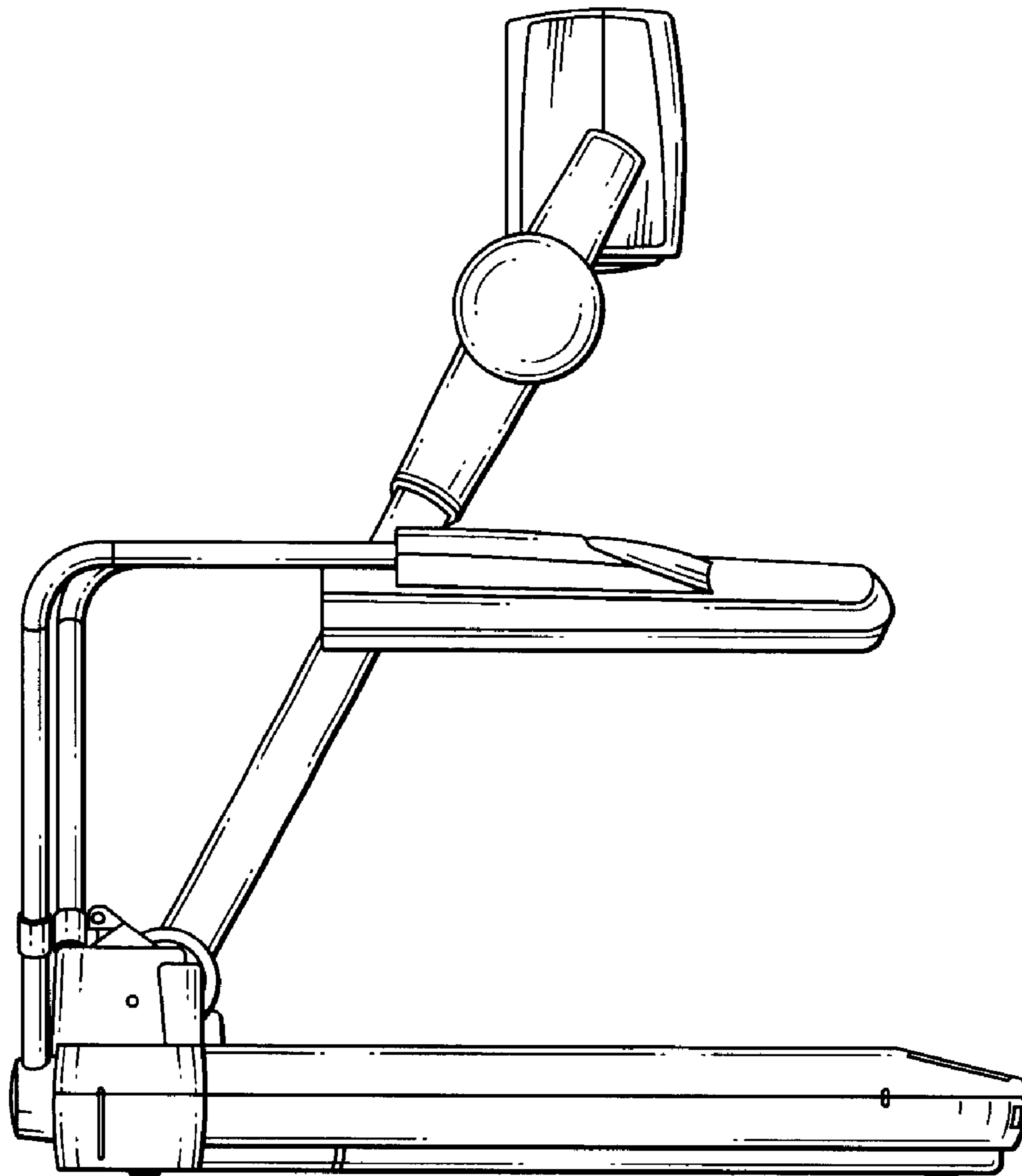


FIG. 5

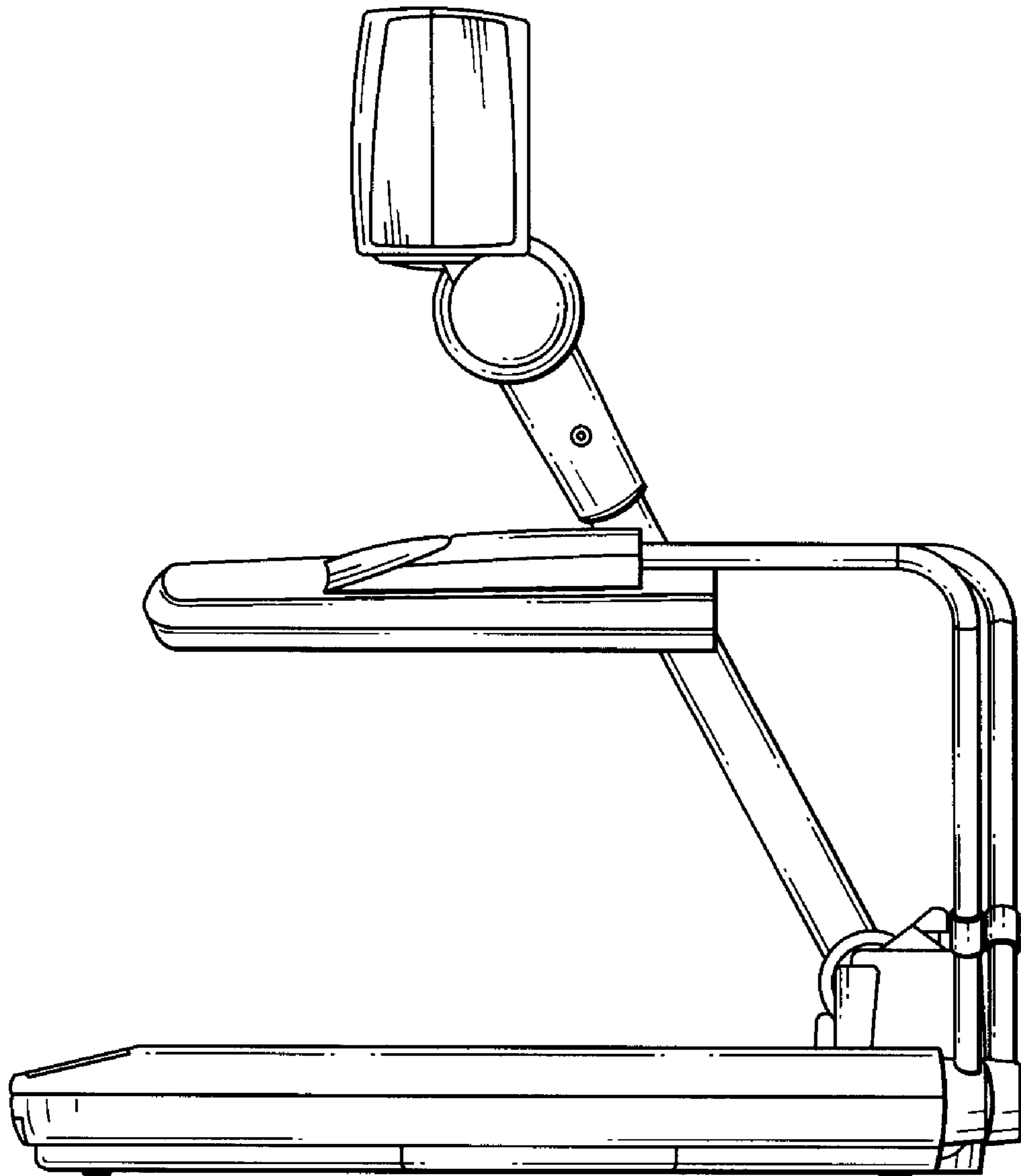


FIG. 6

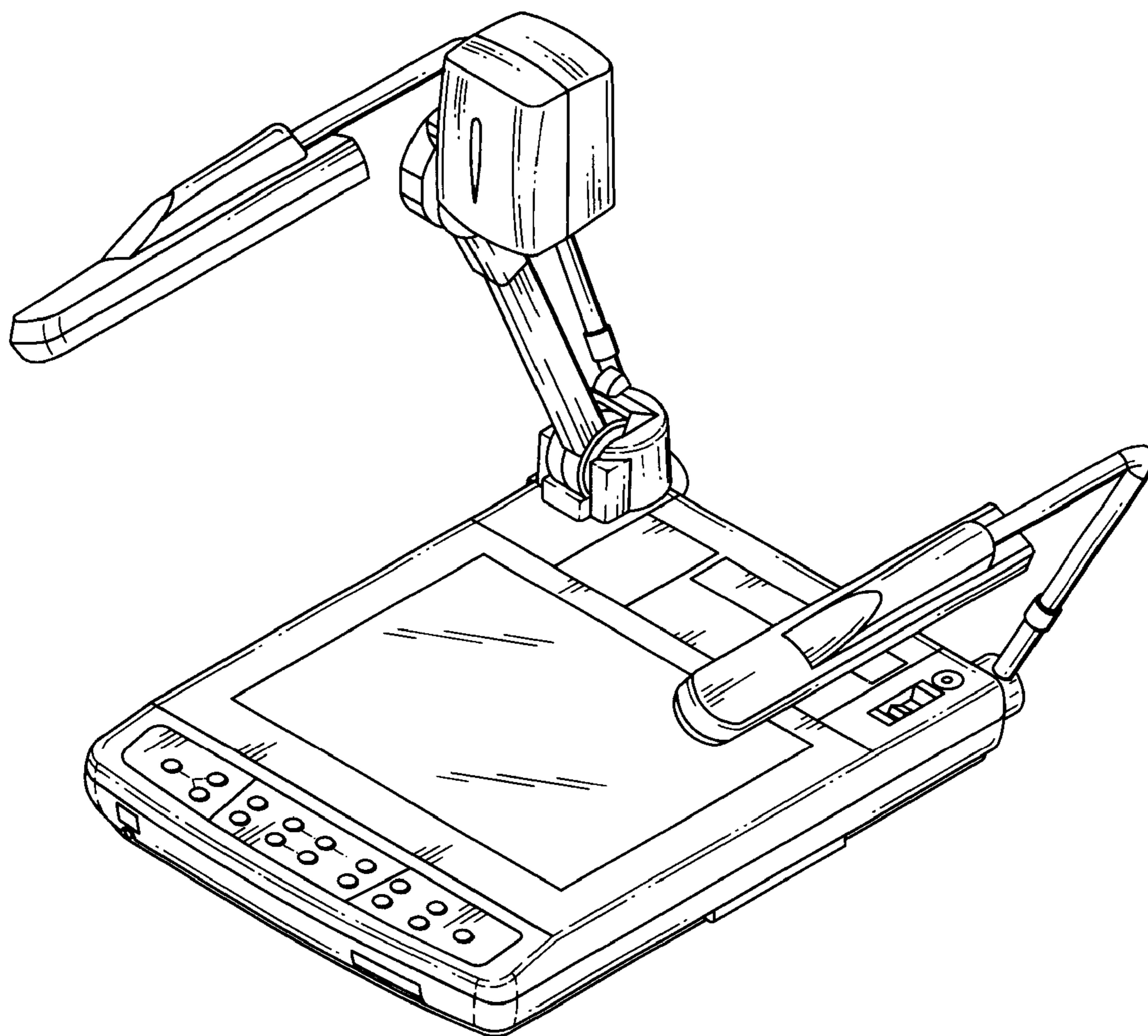


FIG. 7