



US00D519142S

(12) **United States Design Patent**
Meguro

(10) **Patent No.:** **US D519,142 S**
(45) **Date of Patent:** **** Apr. 18, 2006**

- (54) **DIGITAL CAMERA**
- (75) Inventor: **Chikayoshi Meguro**, Hachioji (JP)
- (73) Assignee: **Olympus Corporation**, Tokyo (JP)
- (**) Term: **14 Years**
- (21) Appl. No.: **29/216,308**
- (22) Filed: **Nov. 1, 2004**
- (30) **Foreign Application Priority Data**
Sep. 24, 2004 (JP) 2004-028959
- (51) **LOC (8) Cl.** **16-01**
- (52) **U.S. Cl.** **D16/202**
- (58) **Field of Classification Search** D16/200–205,
D16/208, 218; 348/373–376; 358/909.1;
396/535–541
See application file for complete search history.

(56) **References Cited**

U.S. PATENT DOCUMENTS

- D473,250 S * 4/2003 Katayama D16/202
- D496,060 S * 9/2004 Nagayama D16/202
- D500,775 S * 1/2005 Iue D16/202

- D503,946 S * 4/2005 Chao et al. D16/202
- D507,586 S * 7/2005 Nakamura D16/202

* cited by examiner

Primary Examiner—Adir Aronovich

(74) *Attorney, Agent, or Firm*—Hogan & Hartson, LLP

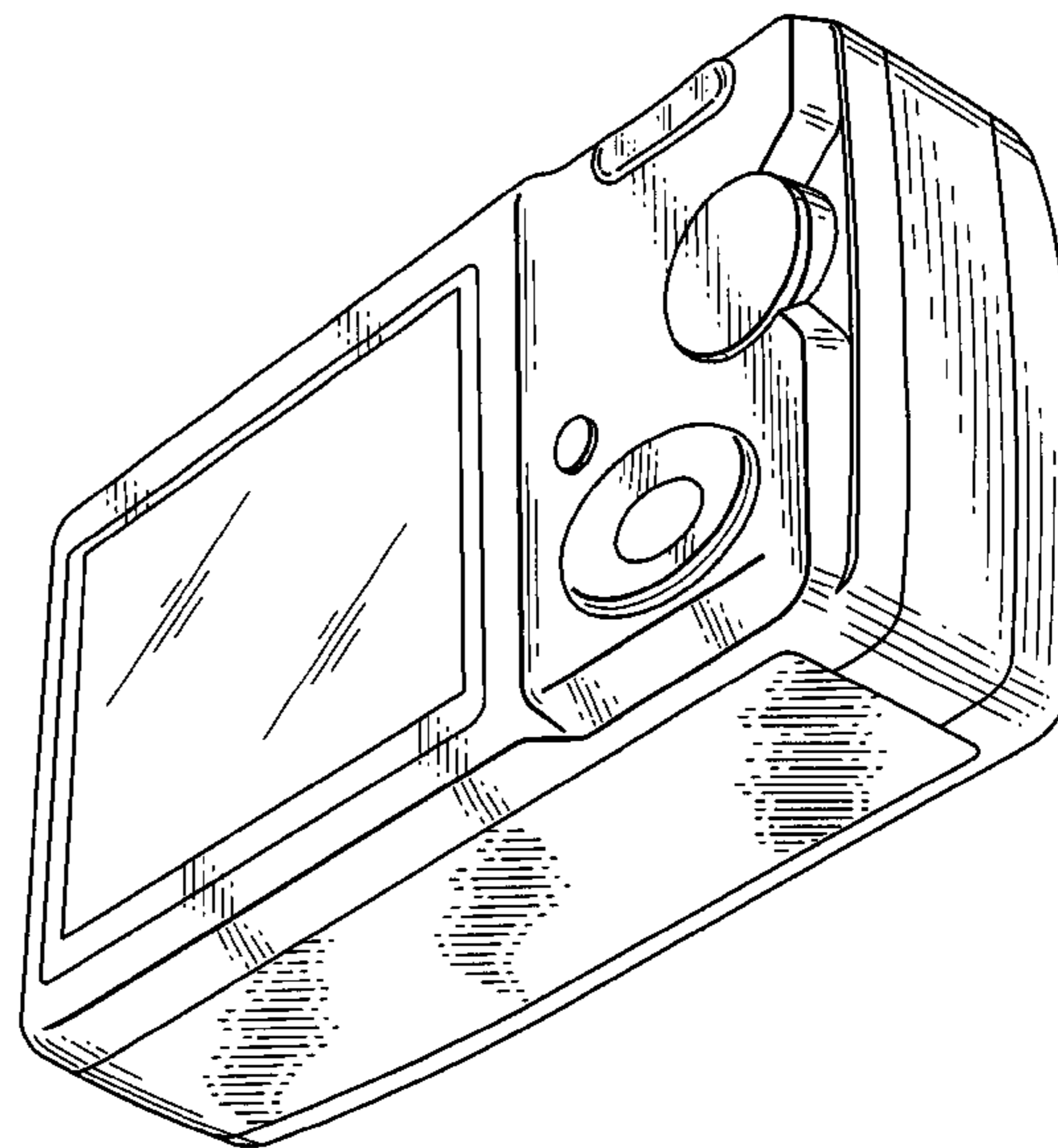
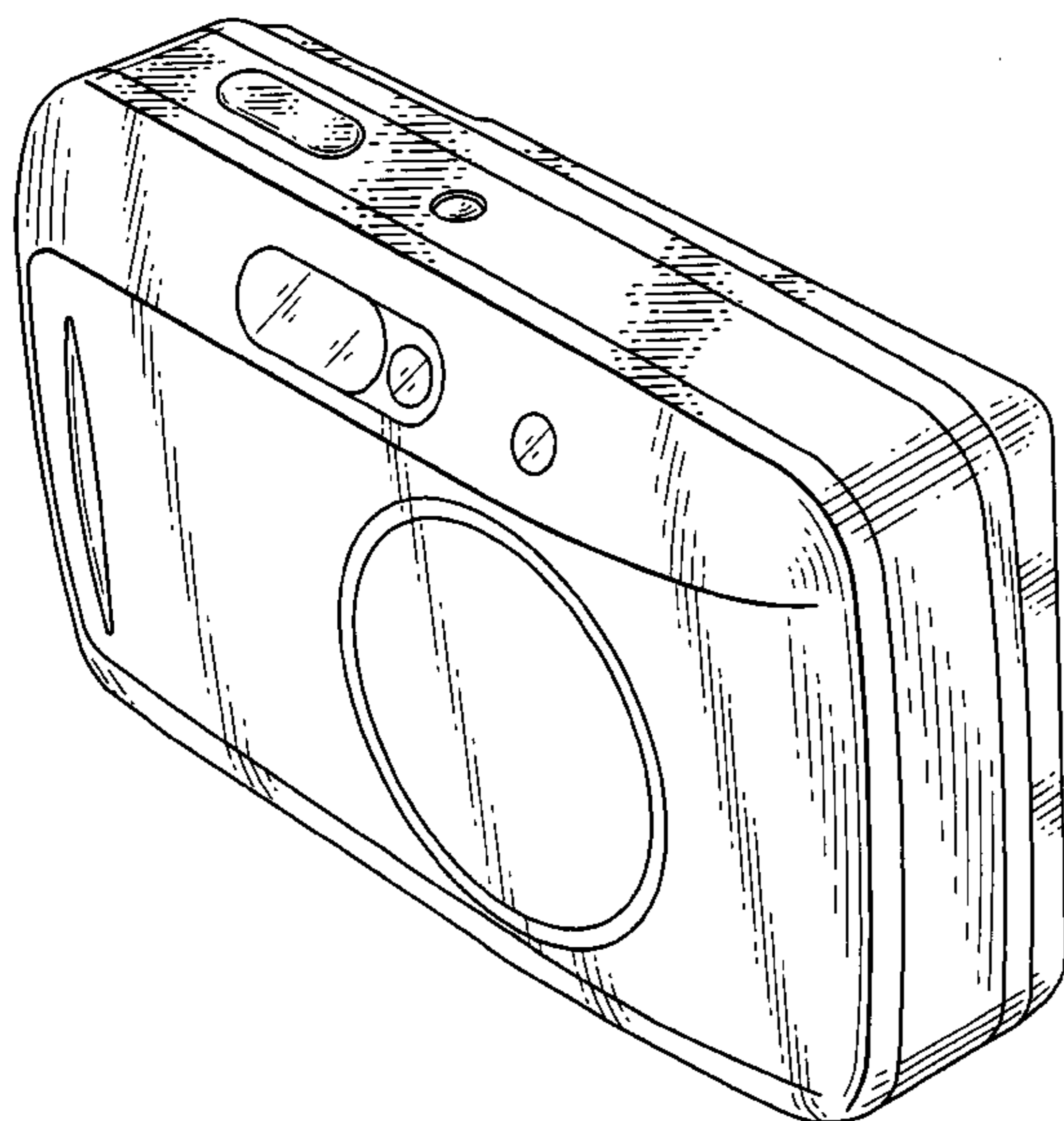
(57) **CLAIM**

The ornamental design for a digital camera, as shown and described.

DESCRIPTION

FIG. 1 is a front, top and right side perspective view of a digital camera showing my new design;
 FIG. 2 is a rear, bottom and right side perspective view thereof;
 FIG. 3 is a front view thereof;
 FIG. 4 is a rear view thereof;
 FIG. 5 is a top plan view thereof;
 FIG. 6 is a bottom plan view thereof;
 FIG. 7 is a right side view thereof;
 FIG. 8 is a left side view thereof;
 FIG. 9 is a front, top and right side perspective view with a barrier opened and lens extended;
 FIG. 10 is a front view thereof with a barrier opened; and,
 FIG. 11 is a right side view thereof with a barrier opened and lens extended.

1 Claim, 7 Drawing Sheets



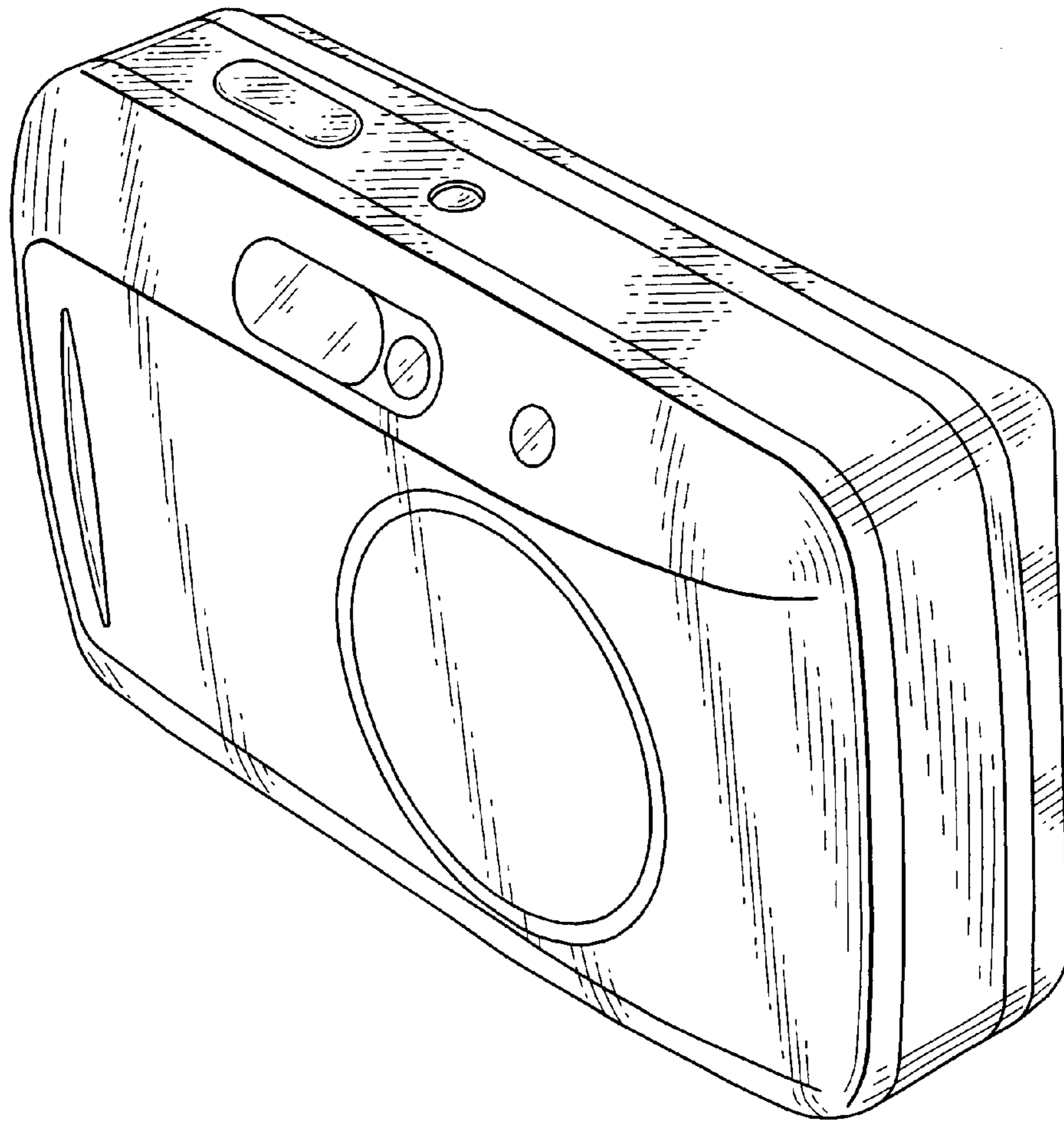


FIG. 1

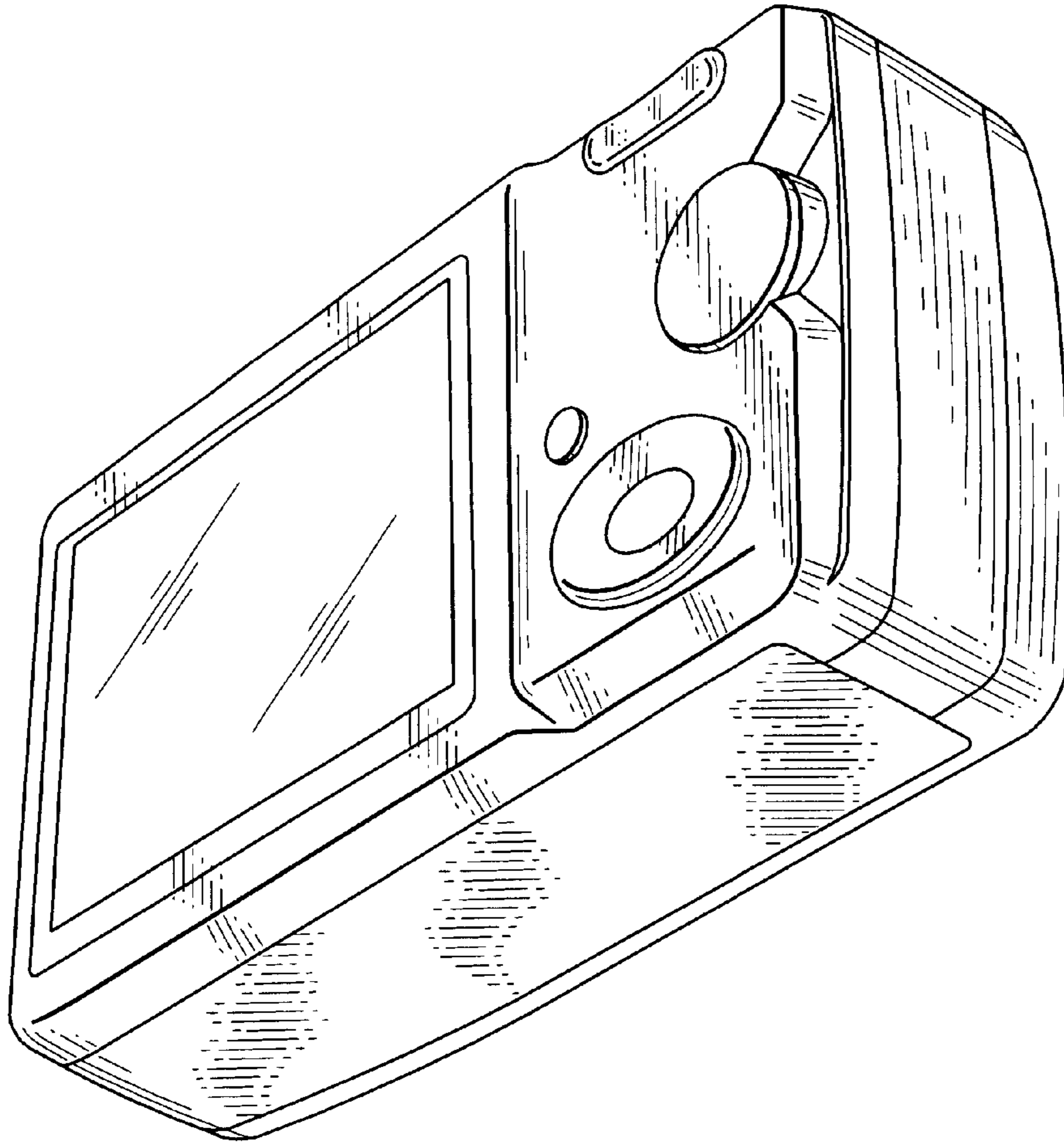


FIG. 2

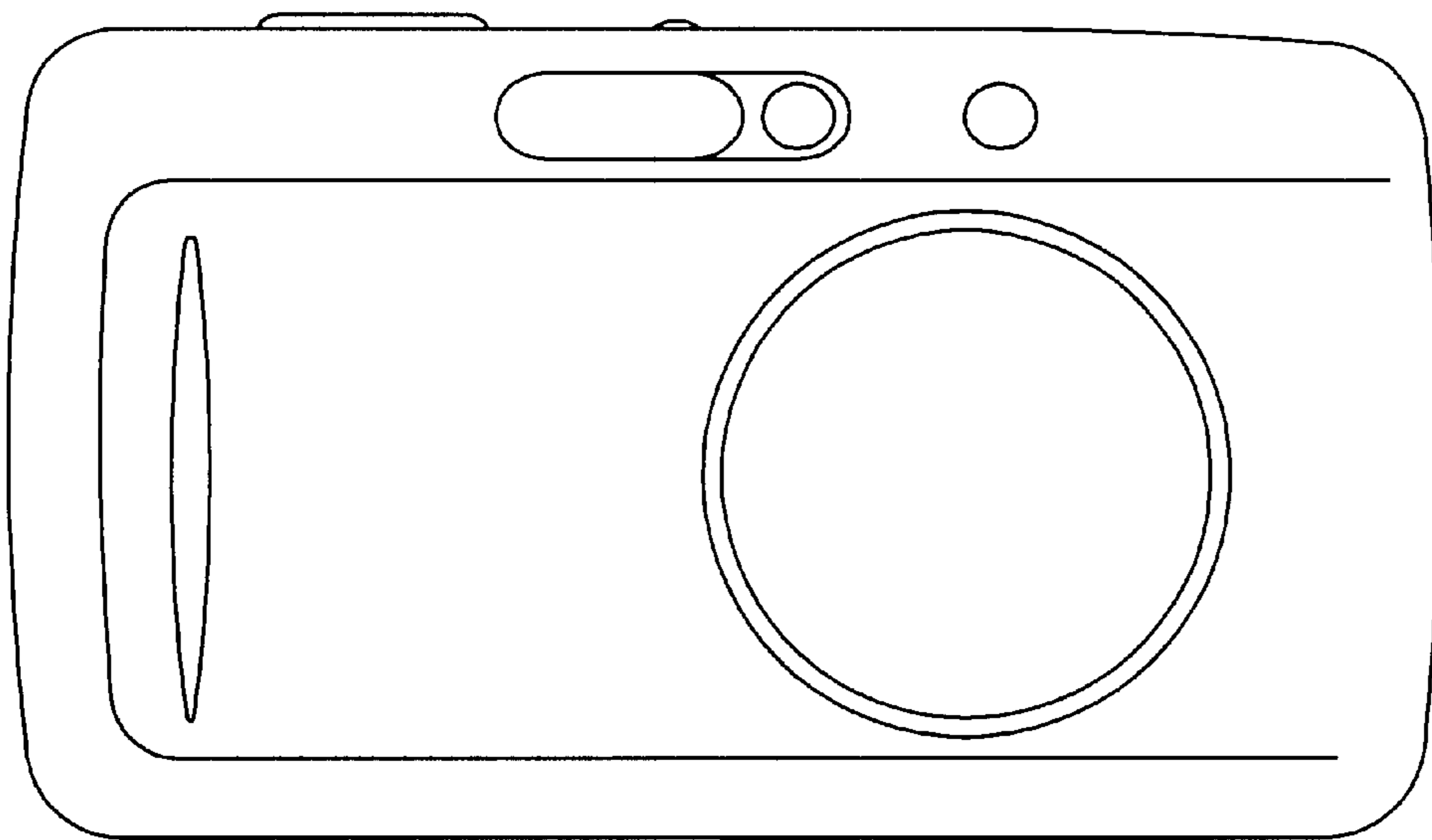


FIG. 3

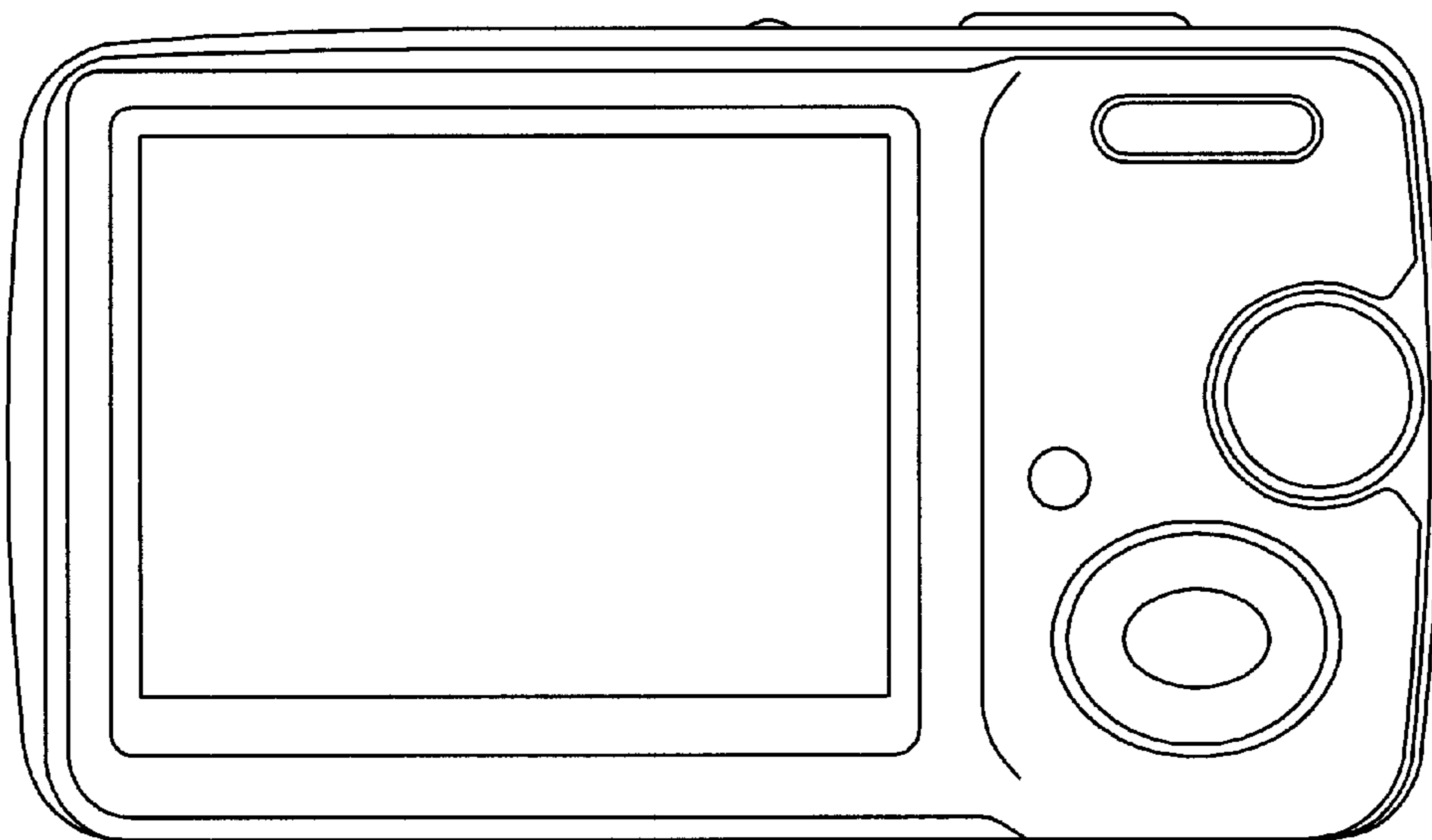


FIG. 4

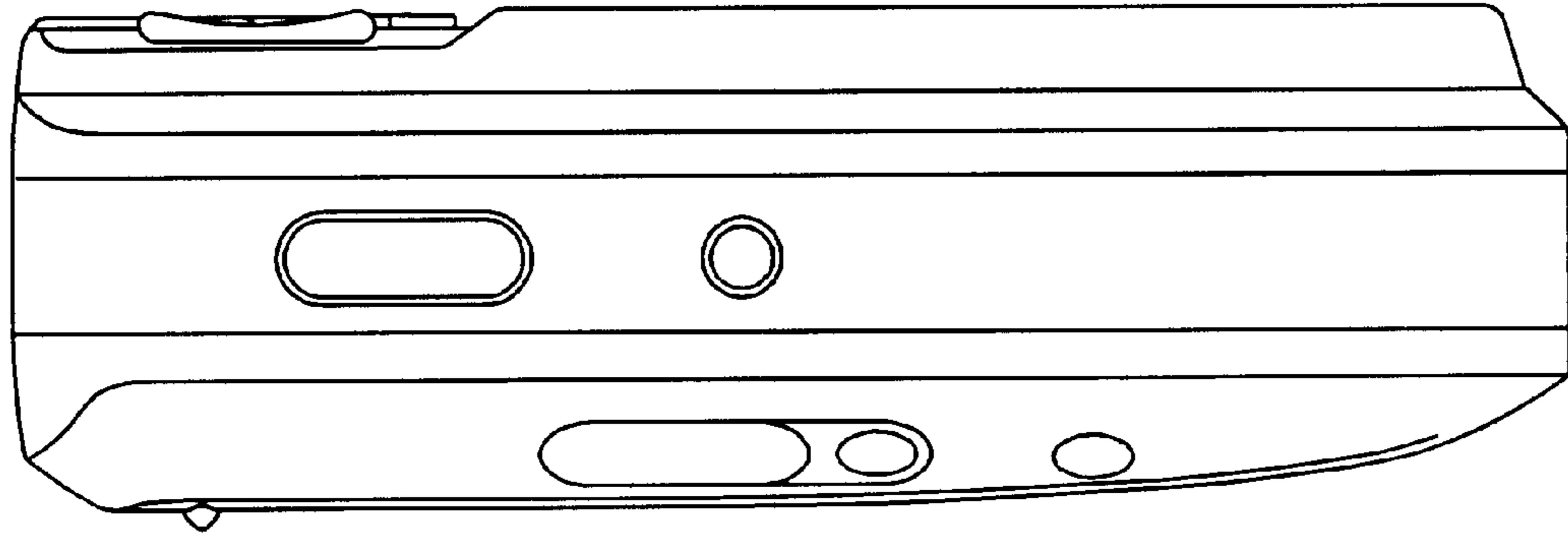


FIG. 5

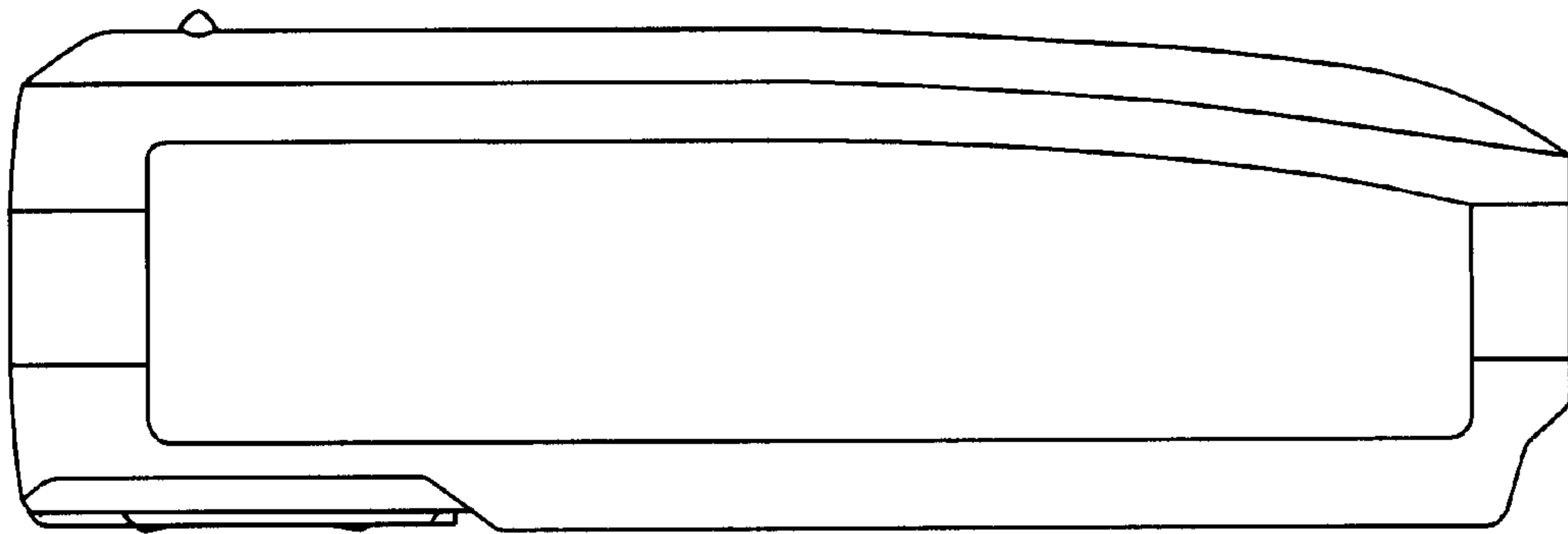


FIG. 6

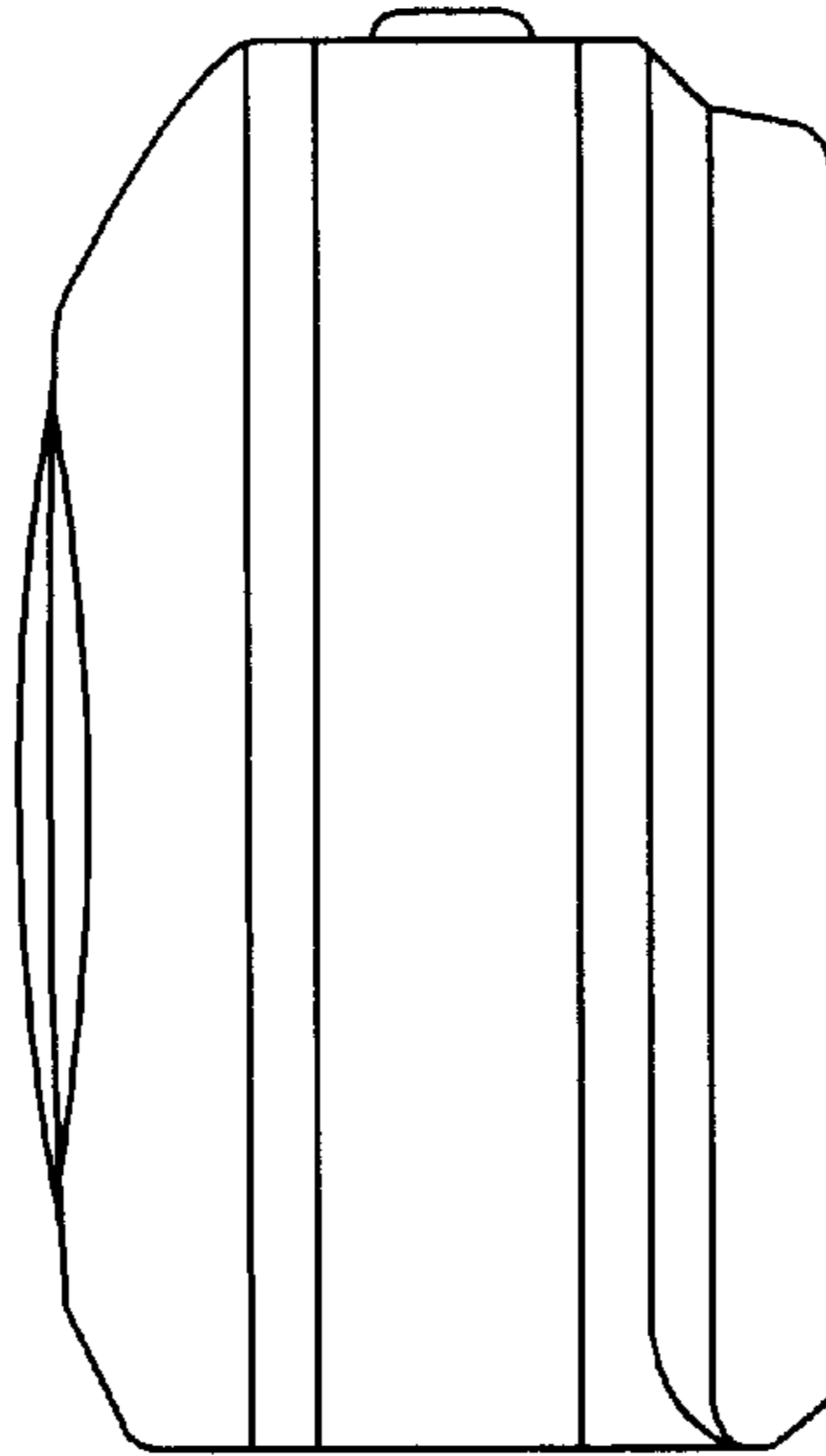


FIG. 7

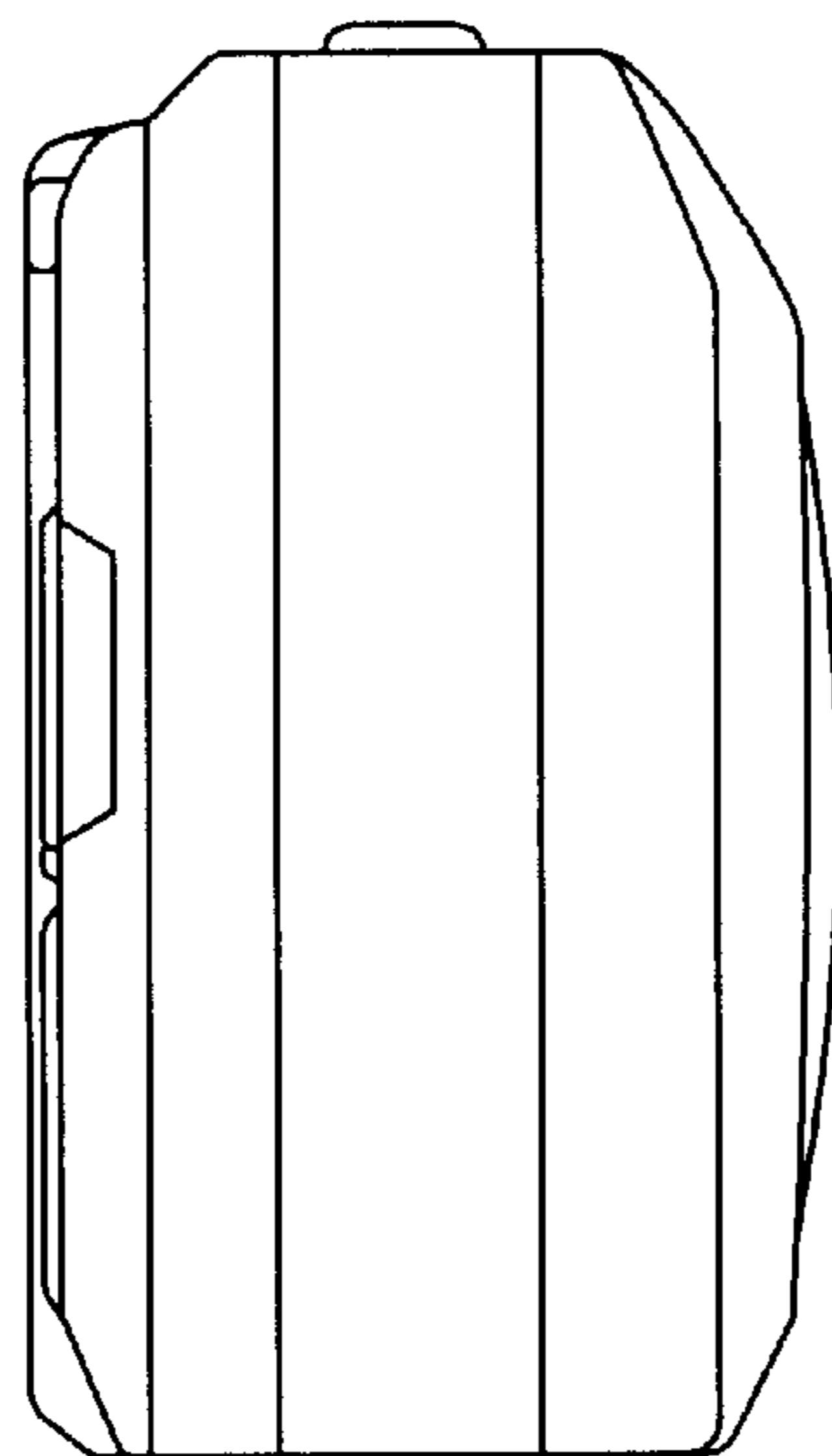


FIG. 8

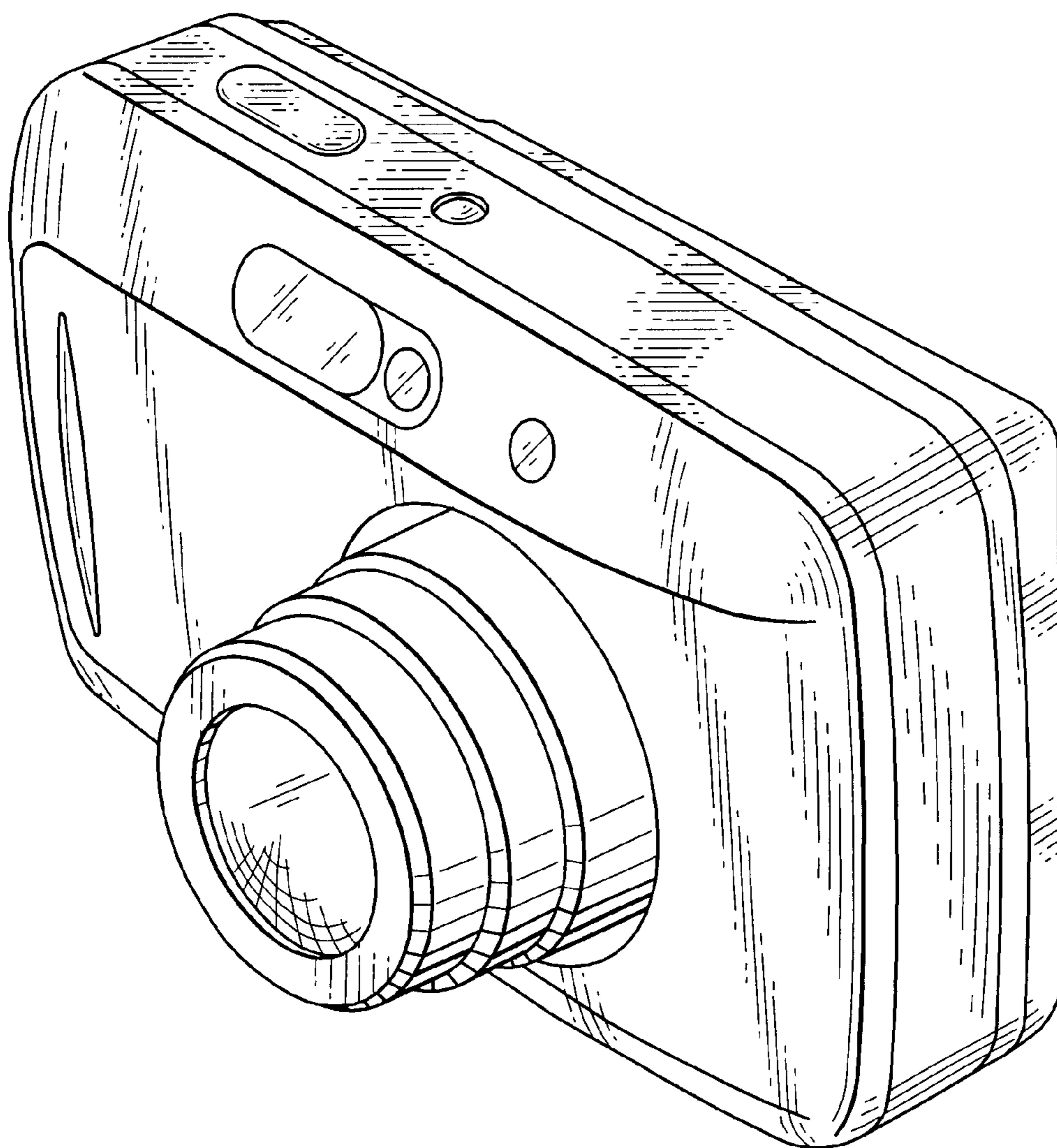


FIG. 9

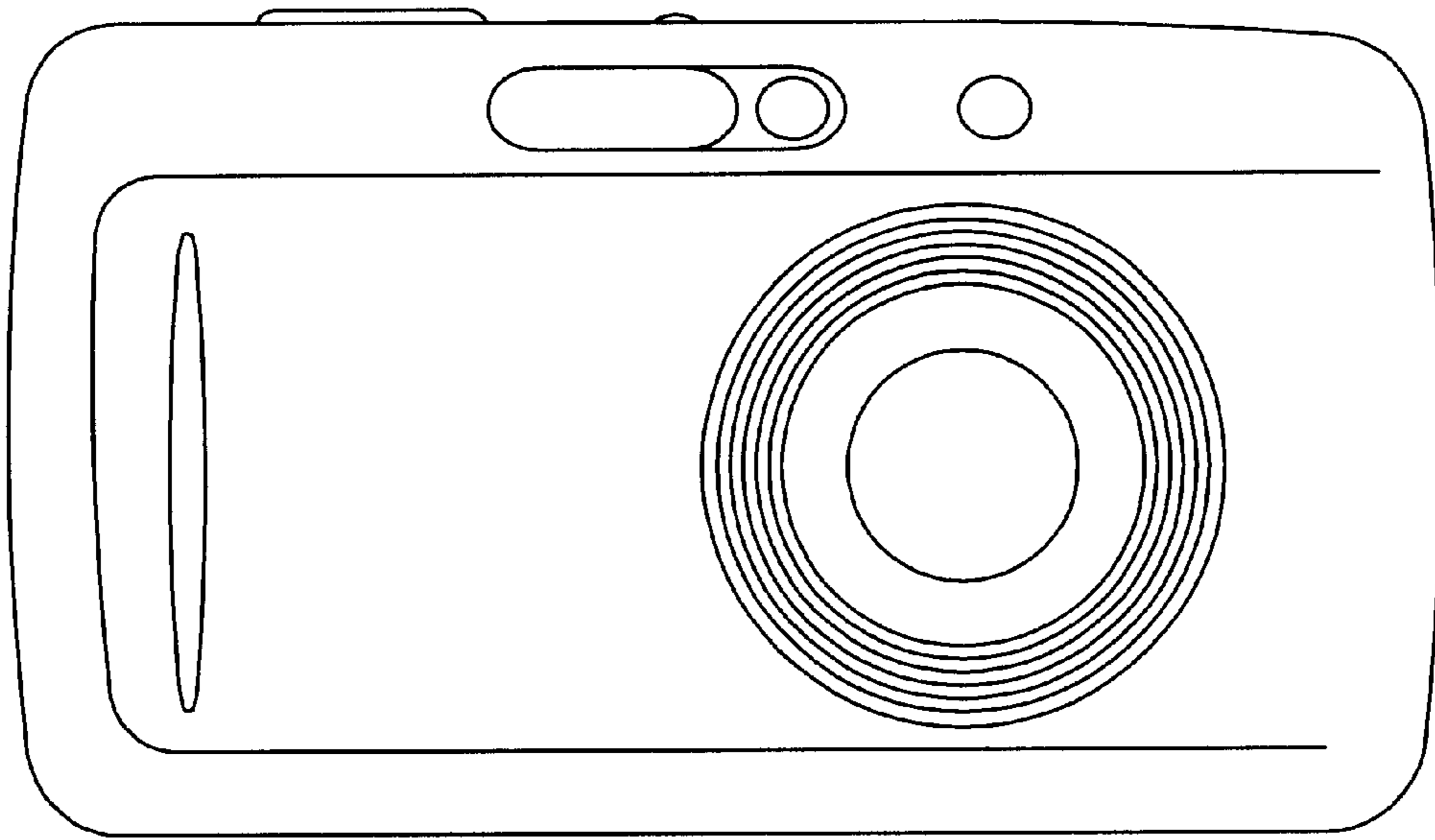


FIG. 10

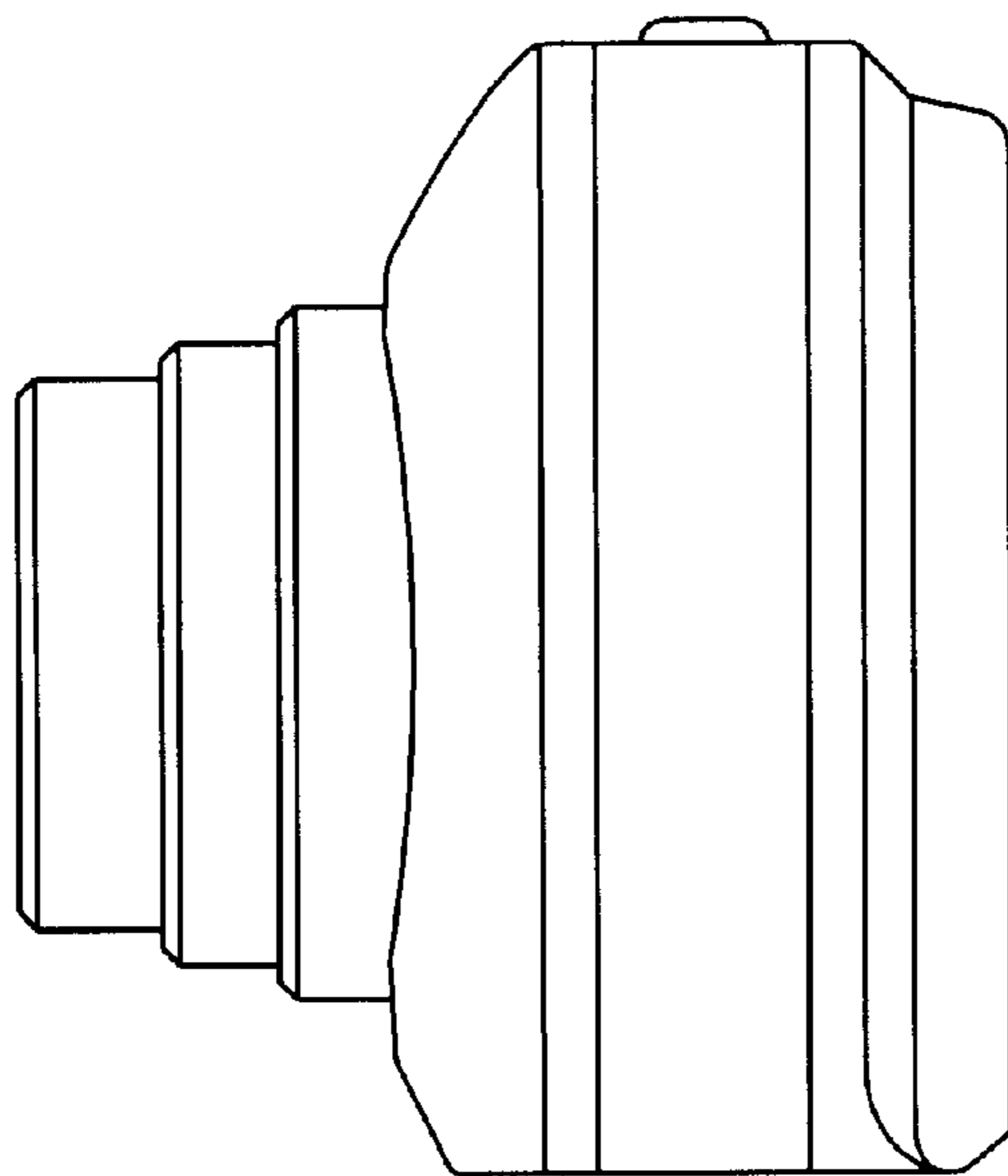


FIG. 11