



US00D519140S

(12) **United States Design Patent**  
**Nasu**

(10) **Patent No.:** **US D519,140 S**  
(45) **Date of Patent:** **\*\* Apr. 18, 2006**

(54) **DIGITAL CAMERA**

(75) Inventor: **Miyoshi Nasu**, Tokyo (JP)

(73) Assignee: **PENTAX Corporation**, Tokyo (JP)

(\*\*) Term: **14 Years**

(21) Appl. No.: **29/205,725**

(22) Filed: **May 20, 2004**

(30) **Foreign Application Priority Data**

Nov. 25, 2003 (JP) ..... 2003-035061

(51) **LOC (8) Cl.** ..... **16-01**

(52) **U.S. Cl.** ..... **D16/200; D16/202**

(58) **Field of Classification Search** ..... D16/200–205,  
D16/208, 218; 348/373–376; 358/906, 909.1;  
396/535–541

See application file for complete search history.

(56) **References Cited**

**U.S. PATENT DOCUMENTS**

D463,470 S \* 9/2002 Tse ..... D16/202

D487,283 S \* 3/2004 Watanabe ..... D16/202

D490,833 S \* 6/2004 Sakaguchi et al. .... D16/202

D495,352 S \* 8/2004 Sakaguchi et al. .... D16/202

D495,727 S \* 9/2004 Dow et al. .... D16/202

D502,198 S \* 2/2005 Choi ..... D16/202

D502,479 S \* 3/2005 Nishizawa et al. .... D16/202

\* cited by examiner

*Primary Examiner*—Adir Aronovich

(74) *Attorney, Agent, or Firm*—Sughrue Mion, PLLC

(57) **CLAIM**

The ornamental design for a digital camera, as shown and described.

**DESCRIPTION**

FIG. 1 is a perspective view of the top, front and right side of a digital camera showing my new design;

FIG. 2 is a front elevational view thereof;

FIG. 3 is a rear elevational view thereof;

FIG. 4 is a right side elevational view thereof;

FIG. 5 is a left side elevational view thereof;

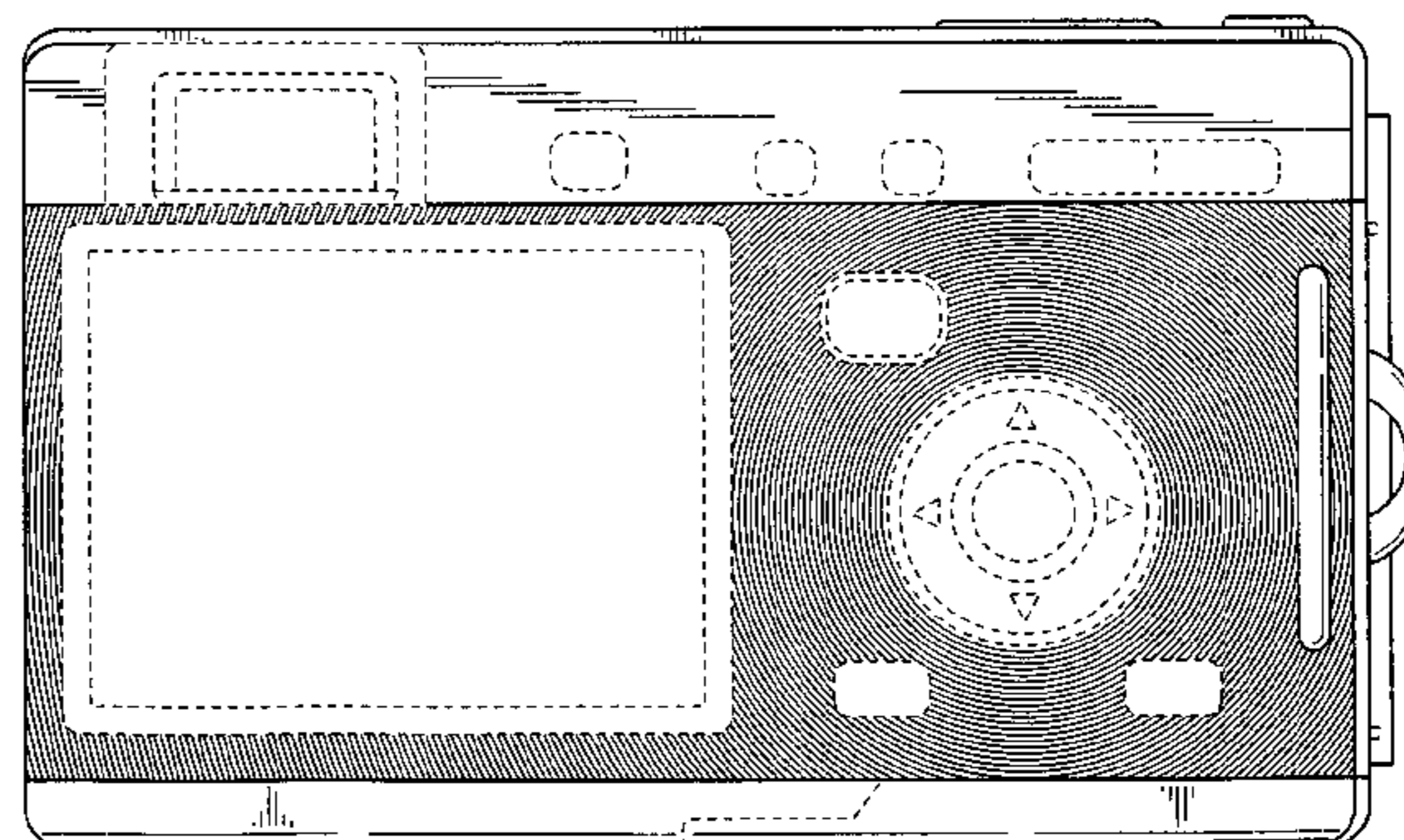
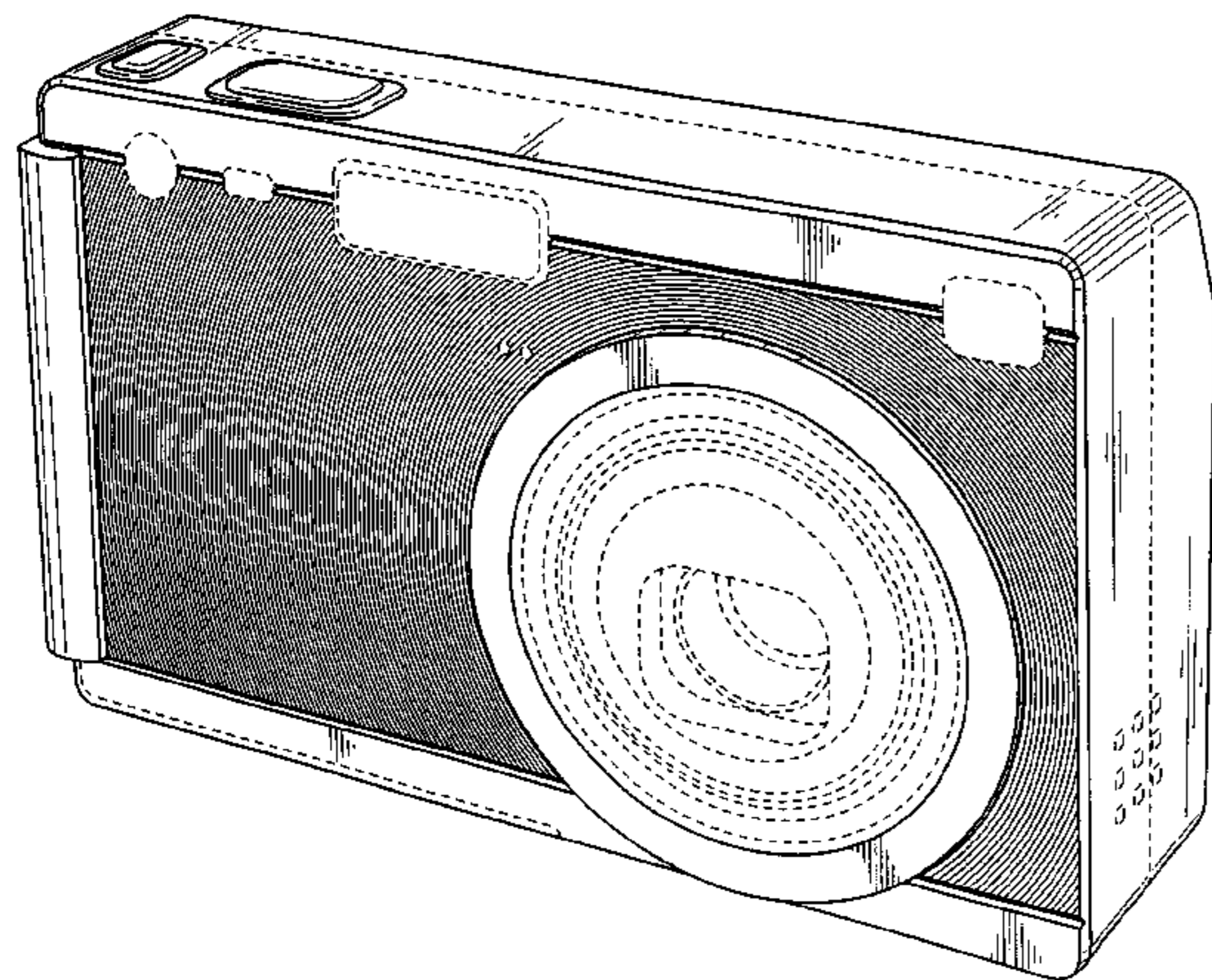
FIG. 6 is a top plan view thereof;

FIG. 7 is a bottom plan view thereof; and,

FIG. 8 is a perspective view similar to FIG. 1 with the lens extended.

The elements shown in broken lines are for illustrative purposes only and form no part of the claimed design.

**1 Claim, 5 Drawing Sheets**



*FIG. 1*

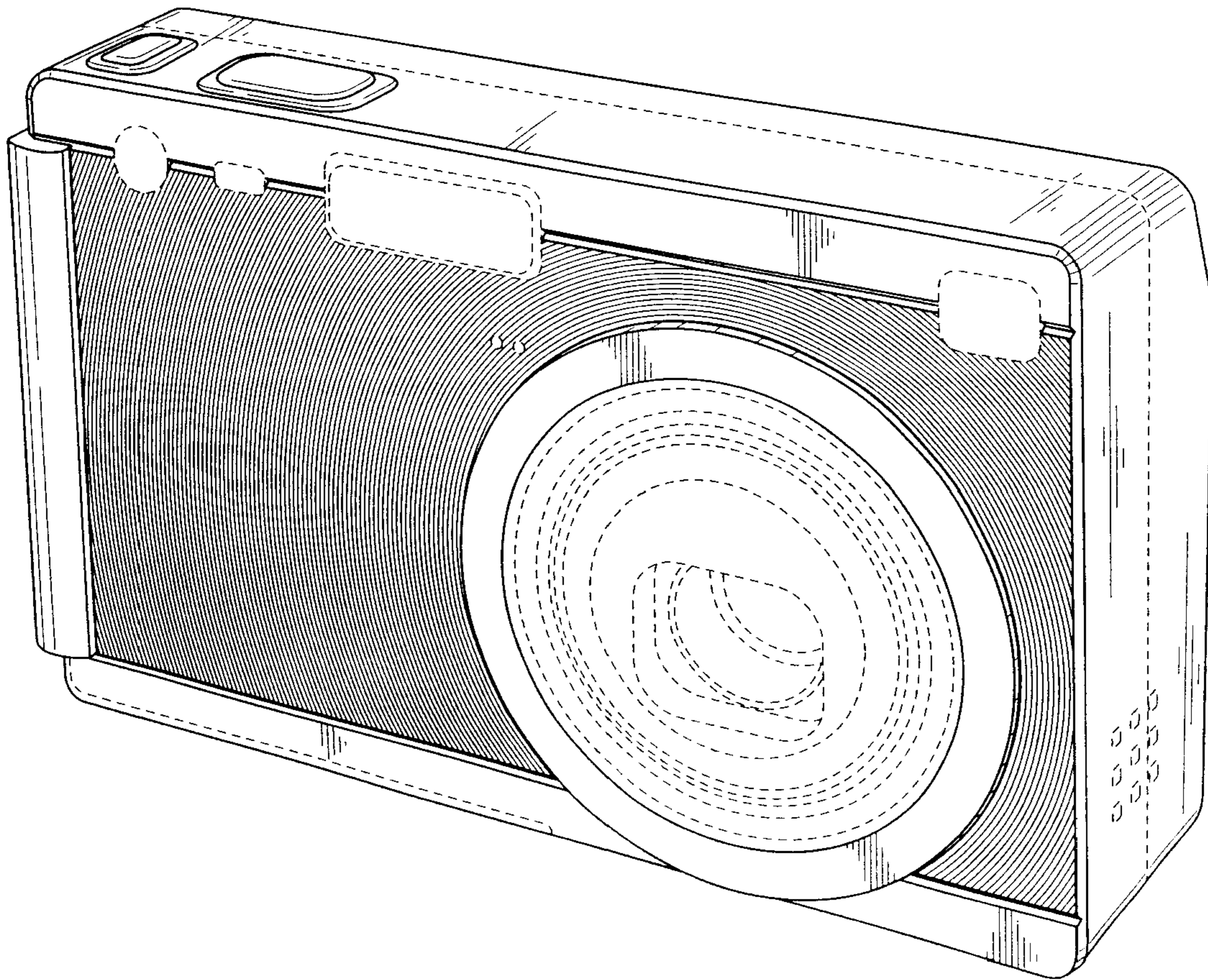


FIG. 2

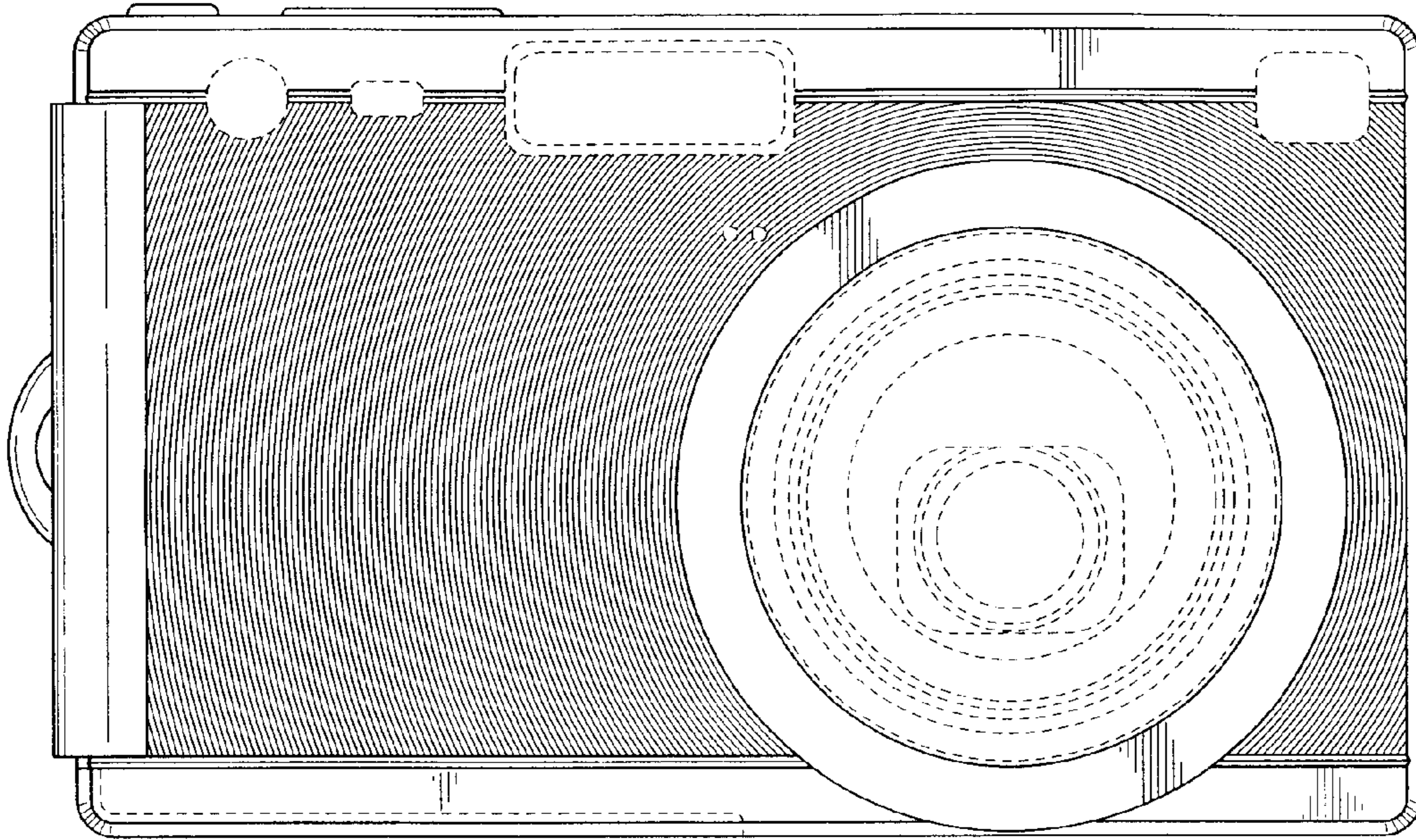
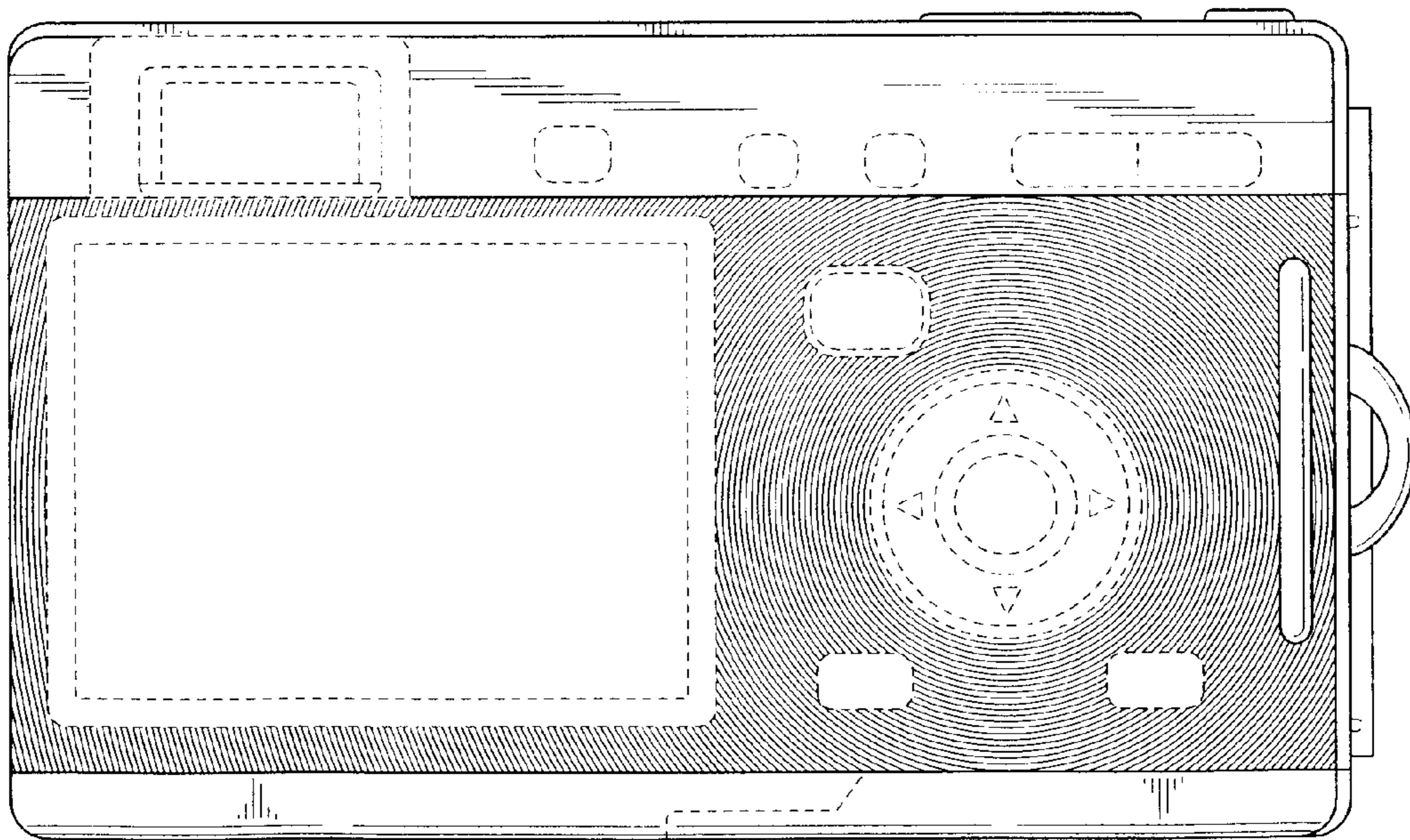
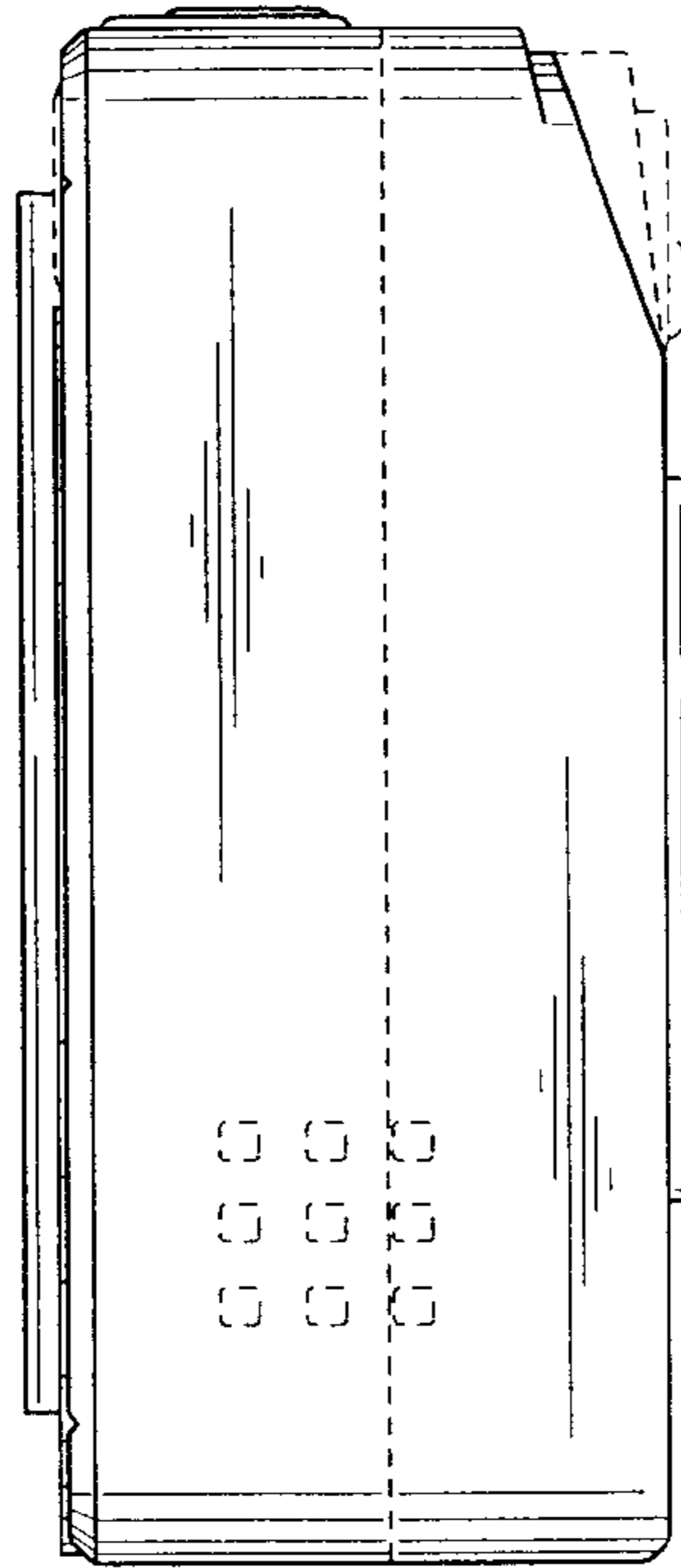


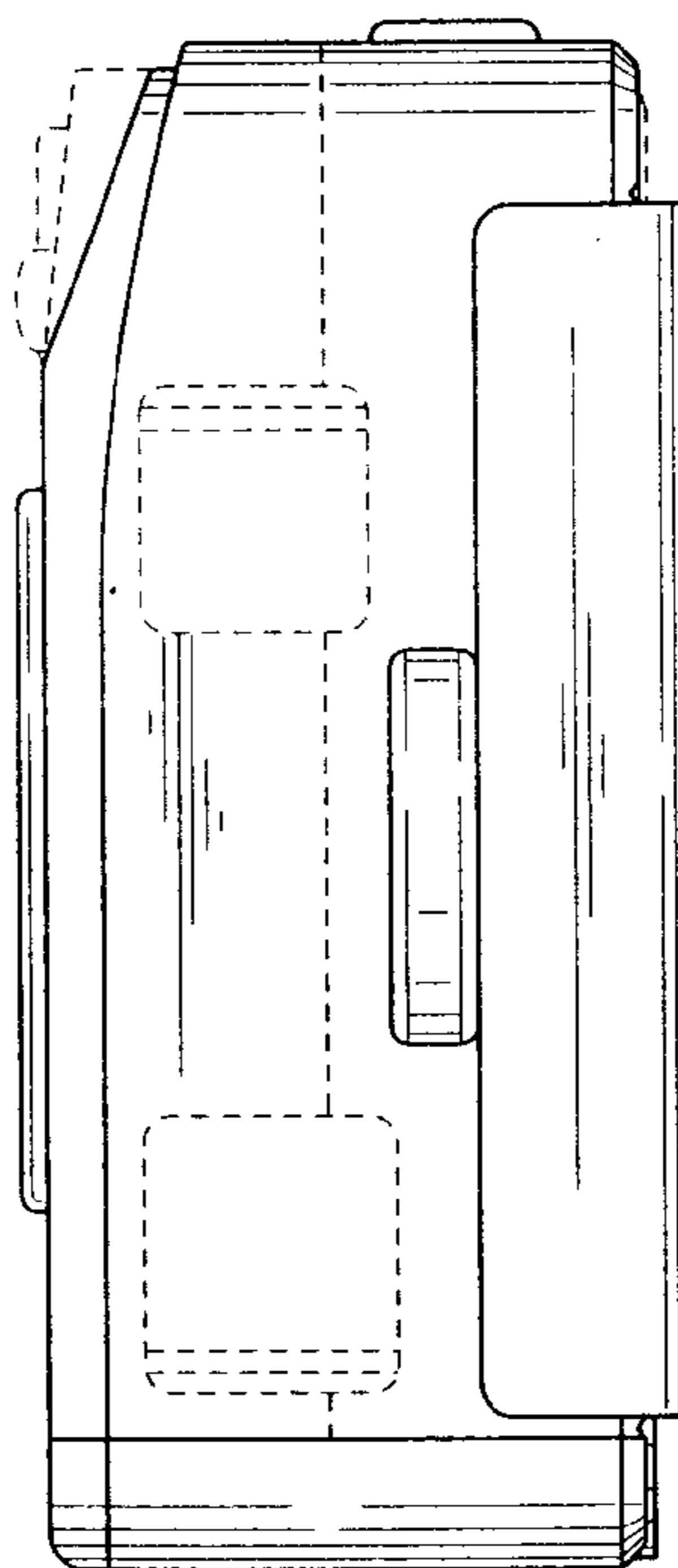
FIG. 3



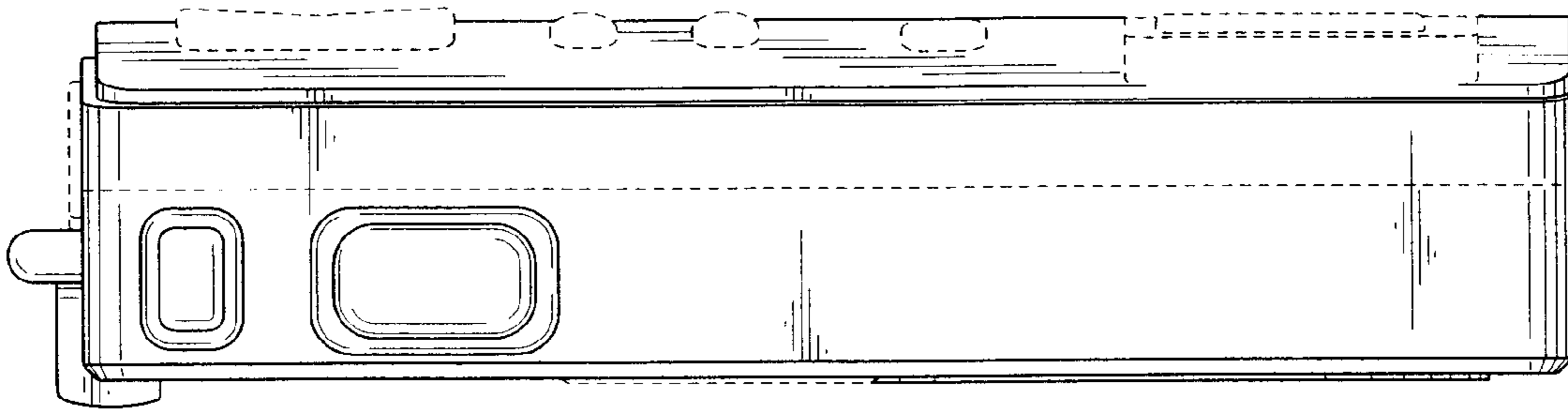
*FIG. 4*



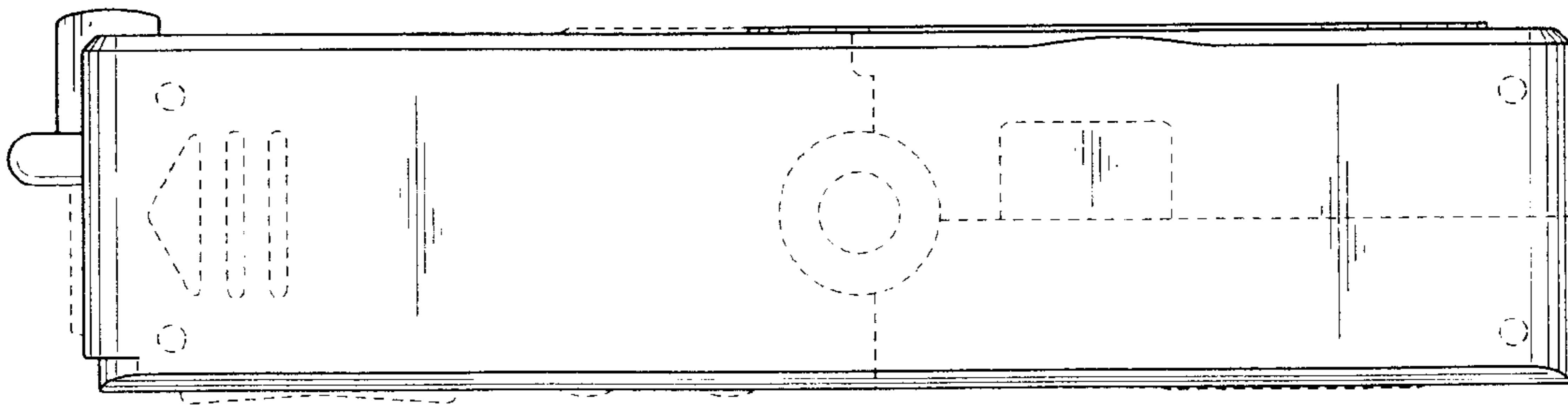
*FIG. 5*



*FIG. 6*



*FIG. 7*



*FIG. 8*

