



US00D519136S

(12) **United States Design Patent**
Folk et al.

(10) **Patent No.:** **US D519,136 S**

(45) **Date of Patent:** **** Apr. 18, 2006**

(54) **SWIVEL BODY FOR A TOP DRIVE IN A WELLBORE DERRICK**

(75) Inventors: **Robert Alden Folk**, Calgary (CA);
Steven Lorne Folk, Sherwood Park (CA)

(73) Assignee: **Varco I/P, Inc.**, Houston, TX (US)

(**) Term: **14 Years**

(21) Appl. No.: **29/208,314**

(22) Filed: **Jun. 24, 2004**

Related U.S. Application Data

(62) Division of application No. 10/862,787, filed on Jun. 7, 2004.

(51) **LOC (8) Cl.** **15-09**

(52) **U.S. Cl.** **D15/140**

(58) **Field of Classification Search** D15/140;
166/70, 154-156, 177.4, 285, 75.14, 76.1,
166/90.1, 92.1, 97.5, 250.1, 193, 78.1, 291,
166/77.52; 173/44; 175/85, 267, 40, 65

See application file for complete search history.

(56) **References Cited**

U.S. PATENT DOCUMENTS

4,010,600	A	3/1977	Poole et al.	57/129
4,115,911	A	9/1978	Poole et al.	29/402.12
4,187,920	A *	2/1980	Johnson	175/267
4,205,423	A	6/1980	Poole et al.	29/402.11
4,219,087	A *	8/1980	Johnson	175/65
4,421,179	A *	12/1983	Boyadjieff	173/44
4,449,596	A *	5/1984	Boyadjieff	175/85
4,458,768	A *	7/1984	Boyadjieff	175/85
4,529,045	A	7/1985	Boyadjieff et al.	173/164
4,589,503	A	5/1986	Johnson et al.	175/113
4,605,077	A	8/1986	Boyadjieff	175/85
4,753,300	A	6/1988	Shaw et al.	173/164
4,759,239	A	7/1988	Hamilton et al.	81/57.34
4,793,422	A	12/1988	Krasnov	175/57
4,800,968	A	1/1989	Shaw et al.	175/85
4,813,493	A	3/1989	Shaw et al.	173/164
4,854,383	A	8/1989	Arnold et al.	166/70
4,865,135	A	9/1989	Moses	175/57
4,878,546	A	11/1989	Shaw et al.	173/163

5,236,035	A *	8/1993	Brisco et al.	166/70
5,293,933	A *	3/1994	Brisco	166/70
5,950,724	A *	9/1999	Giebeler	166/70
6,276,466	B1 *	8/2001	Boyd	175/40
6,634,423	B1 *	10/2003	Giebeler et al.	166/70

OTHER PUBLICATIONS

An Overview of Top-Drive Drilling Systems Applications and Experiences, G.I. Boyadjieff, IADC/SPE 14716, 8 pp. 1986.

Varco Pioneers AC Top Drive, Engineering Award Winners, AC Top Drive Technology Update #1, Hart's Petroleum Engineer, 4 pp., Apr. 1997.

Challenger Rig & Mfg., Inc., Doghouse, Composite Catalog 1982-83, p. 1984-C, 1982.

AC Top Drive Technology Update #2, Varco Systems, 1 p. Prior to 2002.

Top Drive Drilling System TD 500 PAC Variable Frequency AC Top Drive, National Oilwell, 6 pp., 2002.

1000 Ton AC Top Drive—TDS—1000, Varco Systems, 2 pp., 2002.

750 Ton DC Top Drive TDS—45, Varco Systems, 2 pp., 2002.

500 Ton DC Top Drive IDS—1, Varco Systems, 2 pp., 2002.

Varco's Top Drive Systems are advancing the technology of drilling, Varco Systems, 8 pp., 2001.

* cited by examiner

Primary Examiner—Antoine D. Davis

(74) *Attorney, Agent, or Firm*—Guy McClung

(57) **CLAIM**

The ornamental design for a swivel body for a top drive in a wellbore derrick, as shown and described.

DESCRIPTION

FIG. 1 is a perspective view of a design for a swivel body according to the present invention.

FIG. 2 is a top view of the swivel body of FIG. 1.

FIG. 3 is a first side view of the swivel body of FIG. 1.

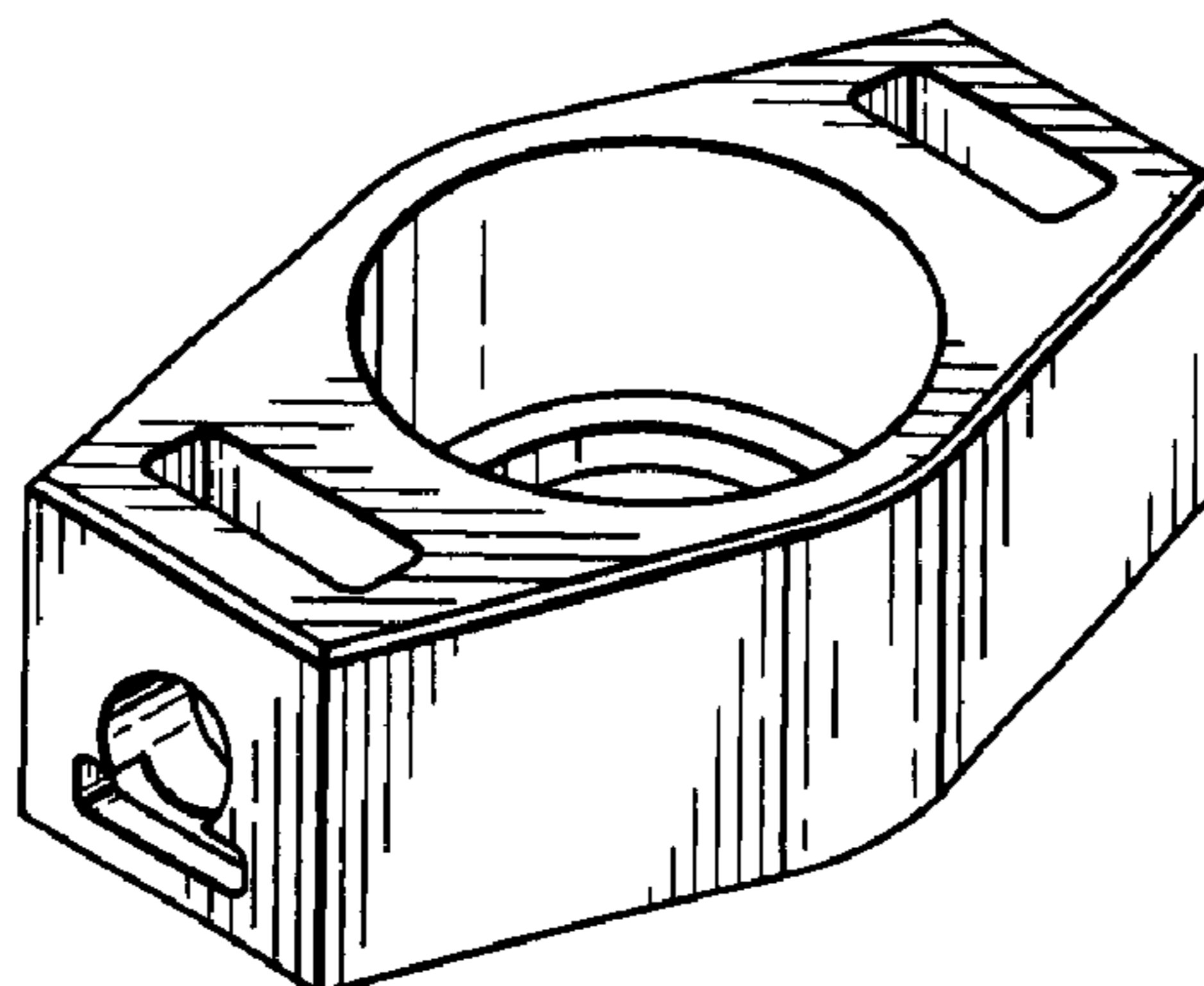
FIG. 4 is a bottom view of the swivel body of FIG. 1.

FIG. 5 is a second side view of the swivel body of FIG. 1, opposite the first side shown in FIG. 3.

FIG. 6 is a front view of the swivel body of FIG. 1; and,

FIG. 7 is a rear view of the swivel body of FIG. 1.

1 Claim, 1 Drawing Sheet



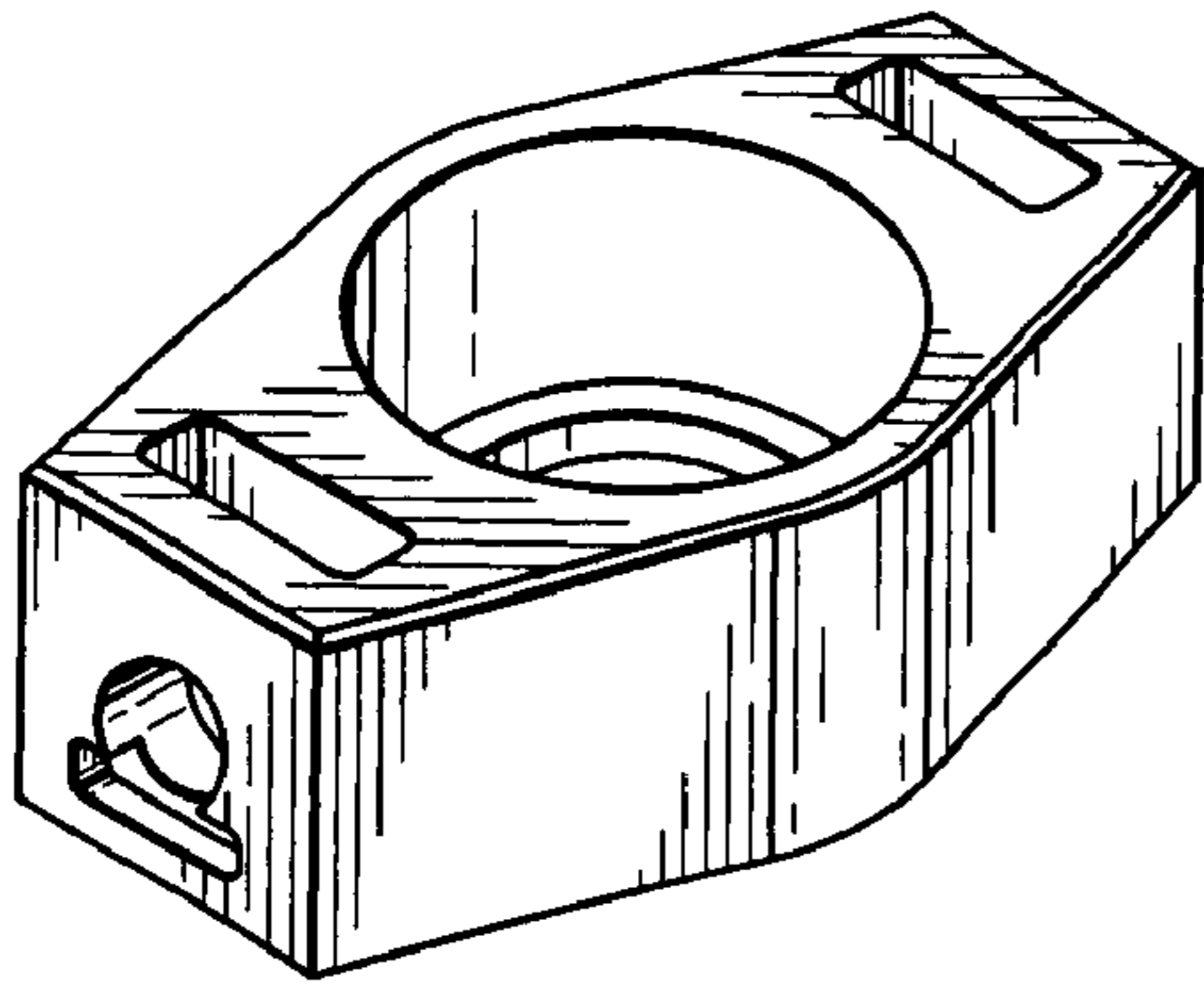


Fig.1

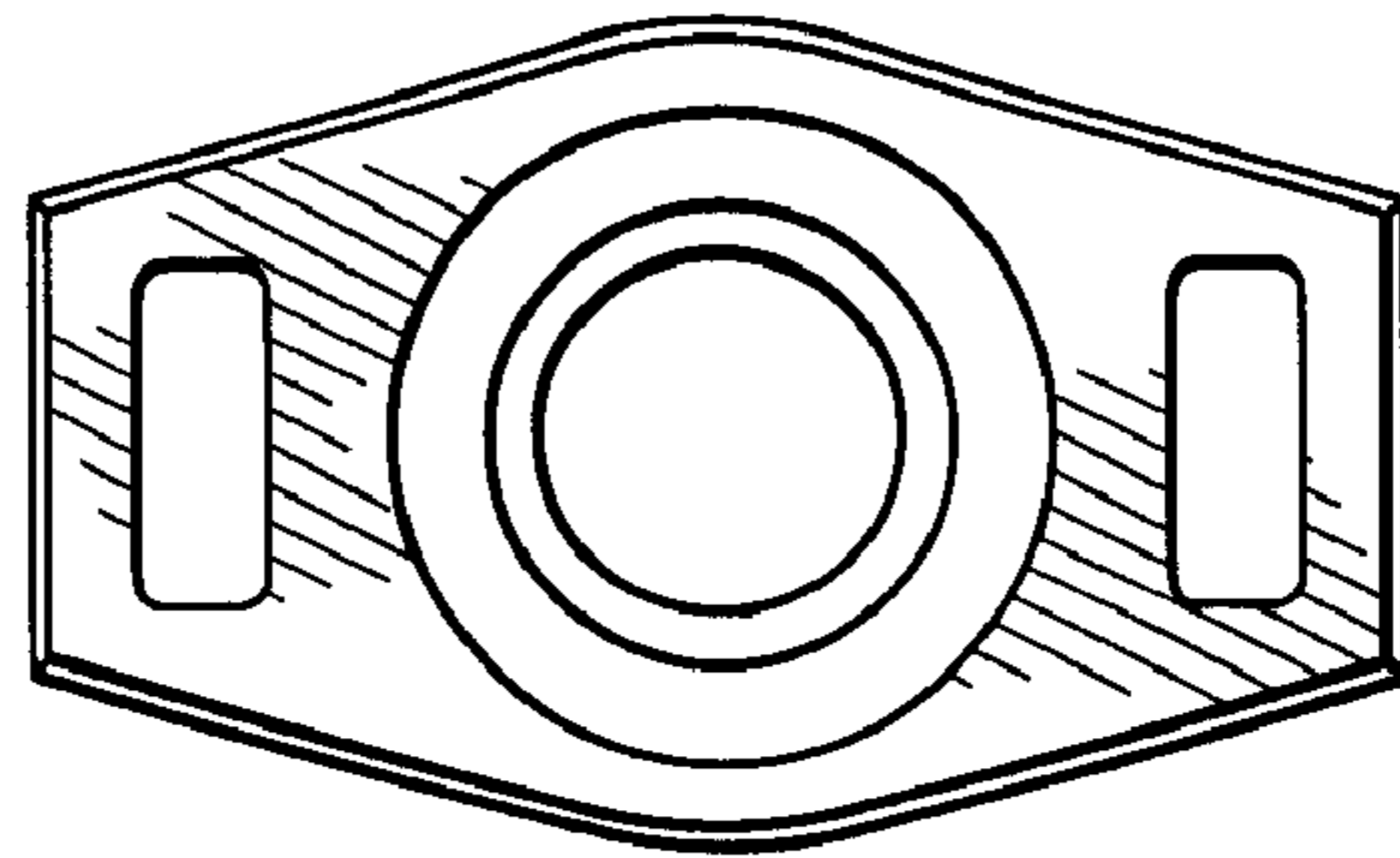


Fig.2

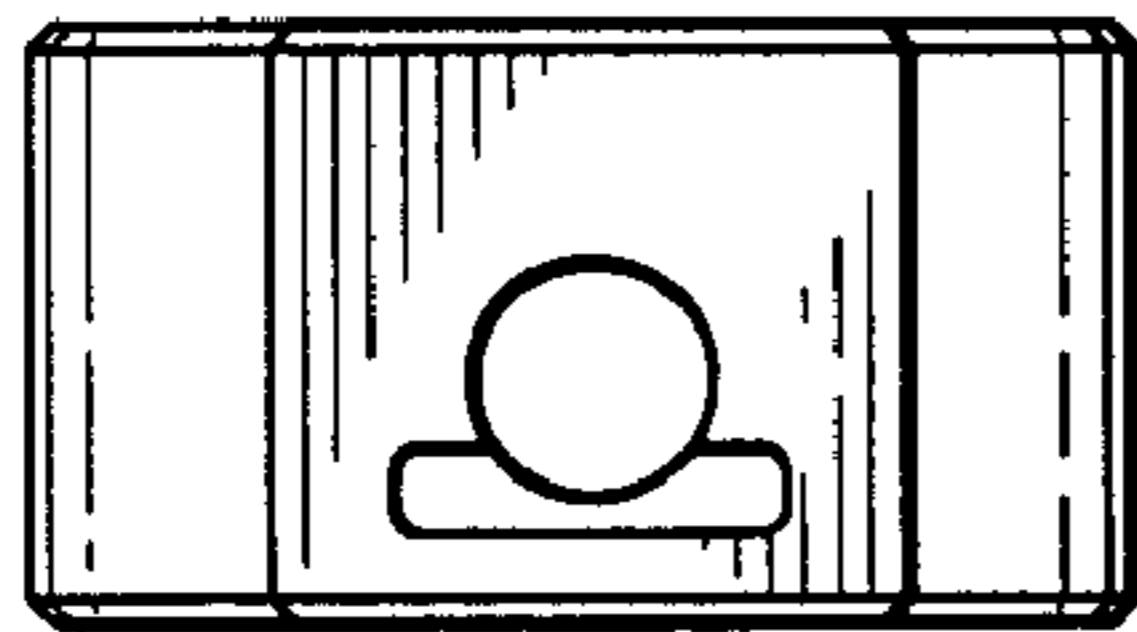


Fig.3

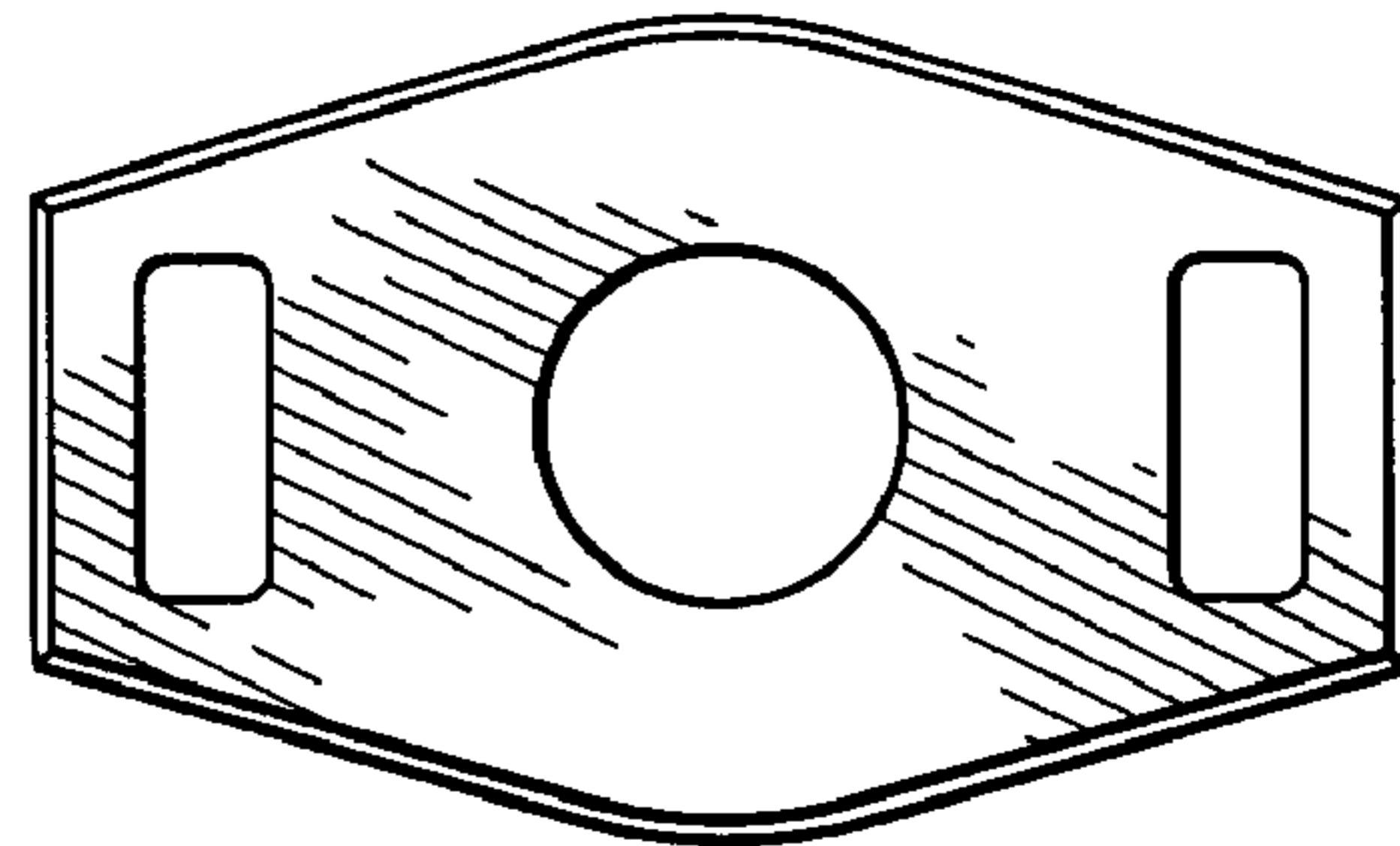


Fig.4

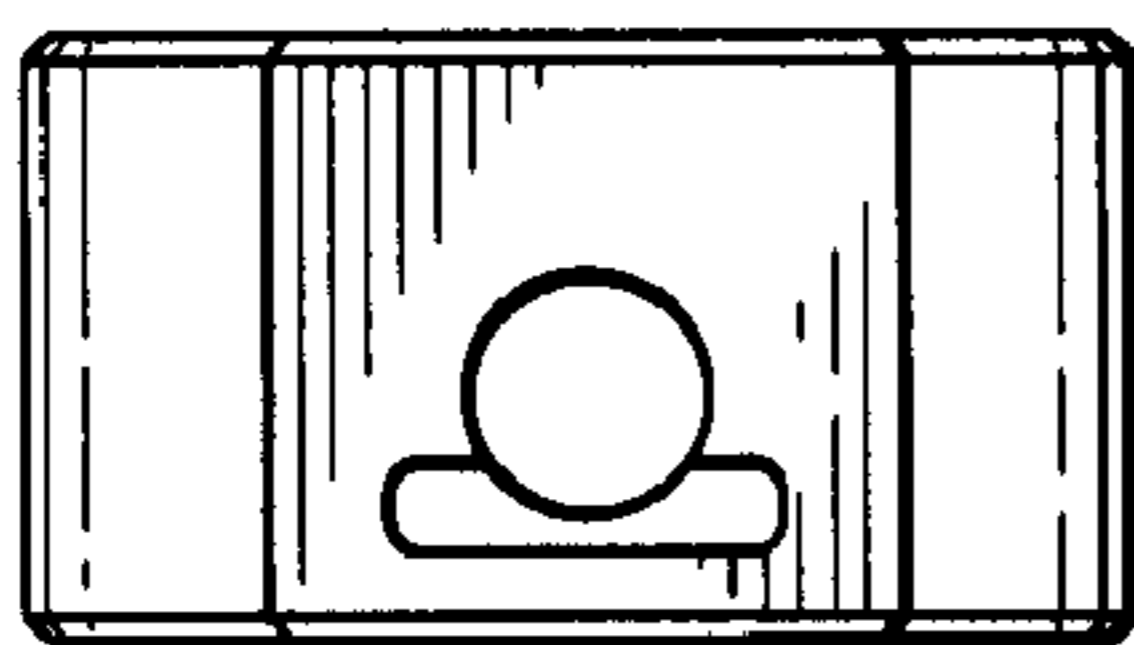


Fig.5

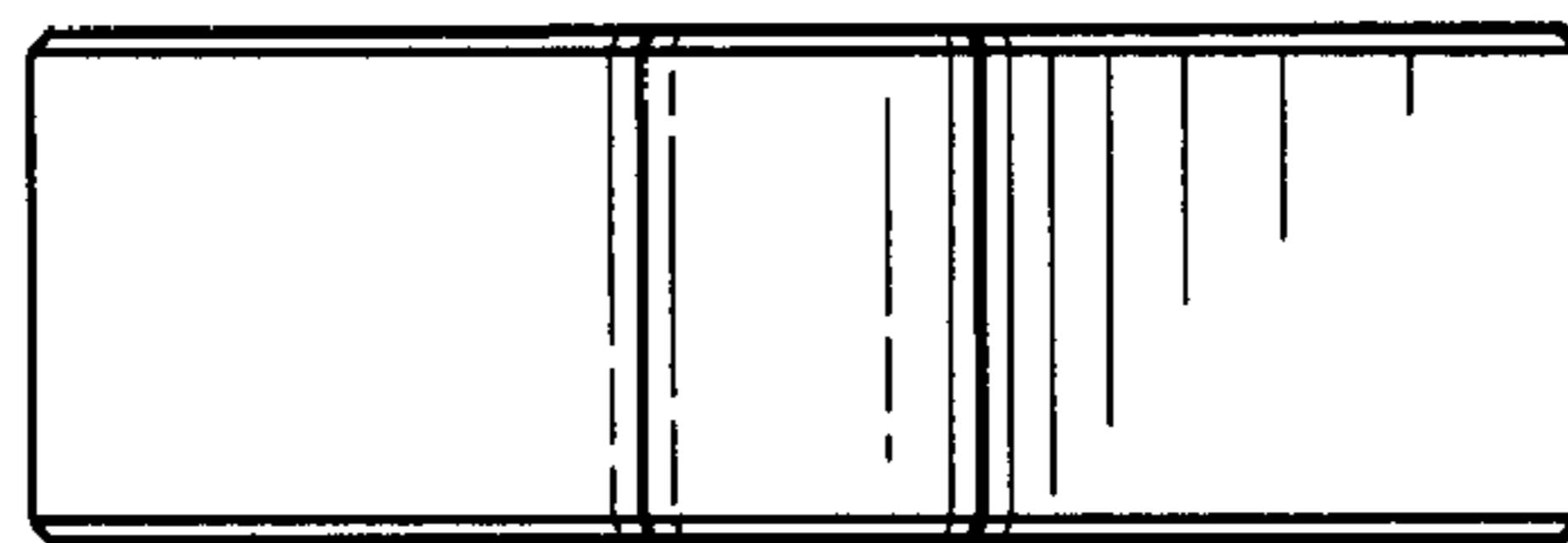


Fig.6

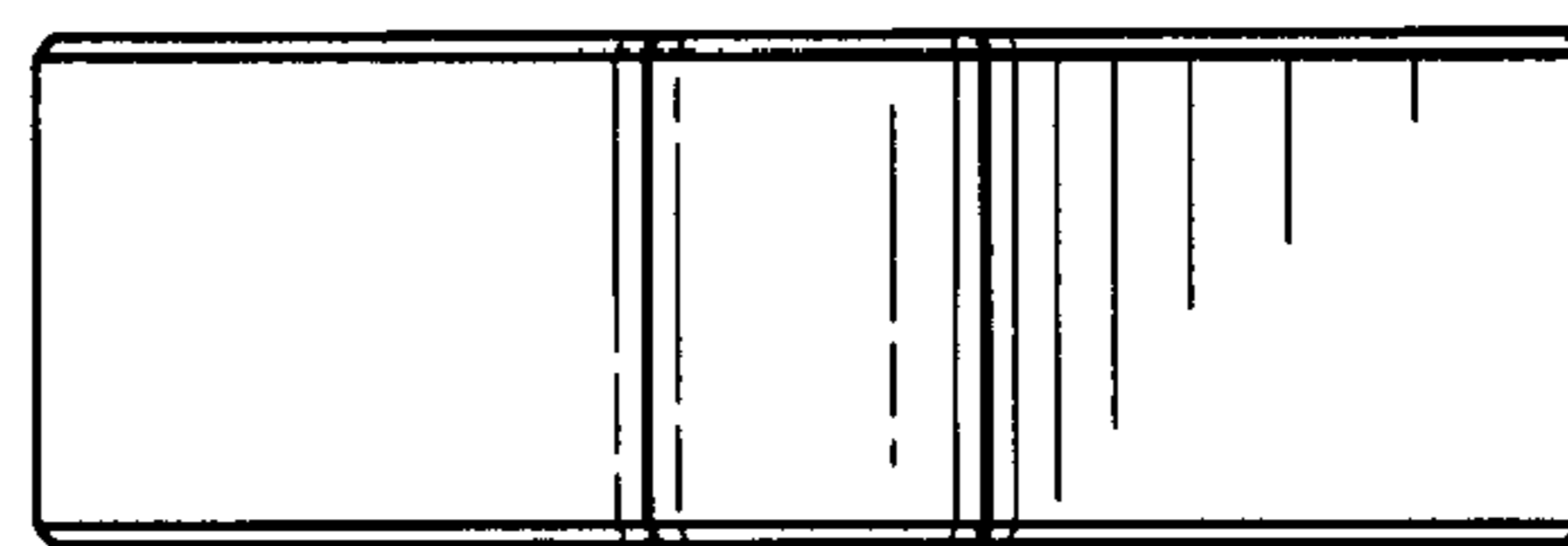


Fig.7