



US00D519135S

(12) **United States Design Patent**
Conway et al.

(10) **Patent No.:** **US D519,135 S**

(45) **Date of Patent:** **** Apr. 18, 2006**

(54) **TIP FOR A PLASMA ARC TORCH**

6,207,923 B1 * 3/2001 Lindsay 219/121.5
6,337,460 B1 * 1/2002 Kelkar et al. 219/121.5
D492,709 S * 7/2004 Horner-Richardson et al. . D15/
144

(75) Inventors: **Christopher J. Conway**, Wilmot, NH
(US); **Kevin J. Kinerson**, Corinth, VT
(US); **Mark Gugliotta**, Concord, NH
(US); **Darrin H. MacKenzie**, Windsor,
VT (US)

* cited by examiner

Primary Examiner—Antoine D. Davis

(73) Assignee: **Thermal Dynamics Corporation**, West
Lebanon, NH (US)

(74) *Attorney, Agent, or Firm*—Harness, Dickey & Pierce,
P.L.C.

(**) Term: **14 Years**

(57) **CLAIM**

(21) Appl. No.: **29/197,678**

The ornamental design for a tip for a plasma arc torch, as
shown and described.

(22) Filed: **Jan. 16, 2004**

DESCRIPTION

(51) **LOC (8) Cl.** **15-09**

(52) **U.S. Cl.** **D15/139**

(58) **Field of Classification Search** D15/144–144.2;
219/121.44–121.5

FIG. 1 is a perspective view of the tip for a plasma arc torch;
FIG. 2 is a perspective view from the distal end thereof;
FIG. 3 is a perspective view from the proximal end thereof;
FIG. 4 is a side elevation view thereof;
FIG. 5 is a top plan view thereof; and,
FIG. 6 is a bottom plan view thereof.

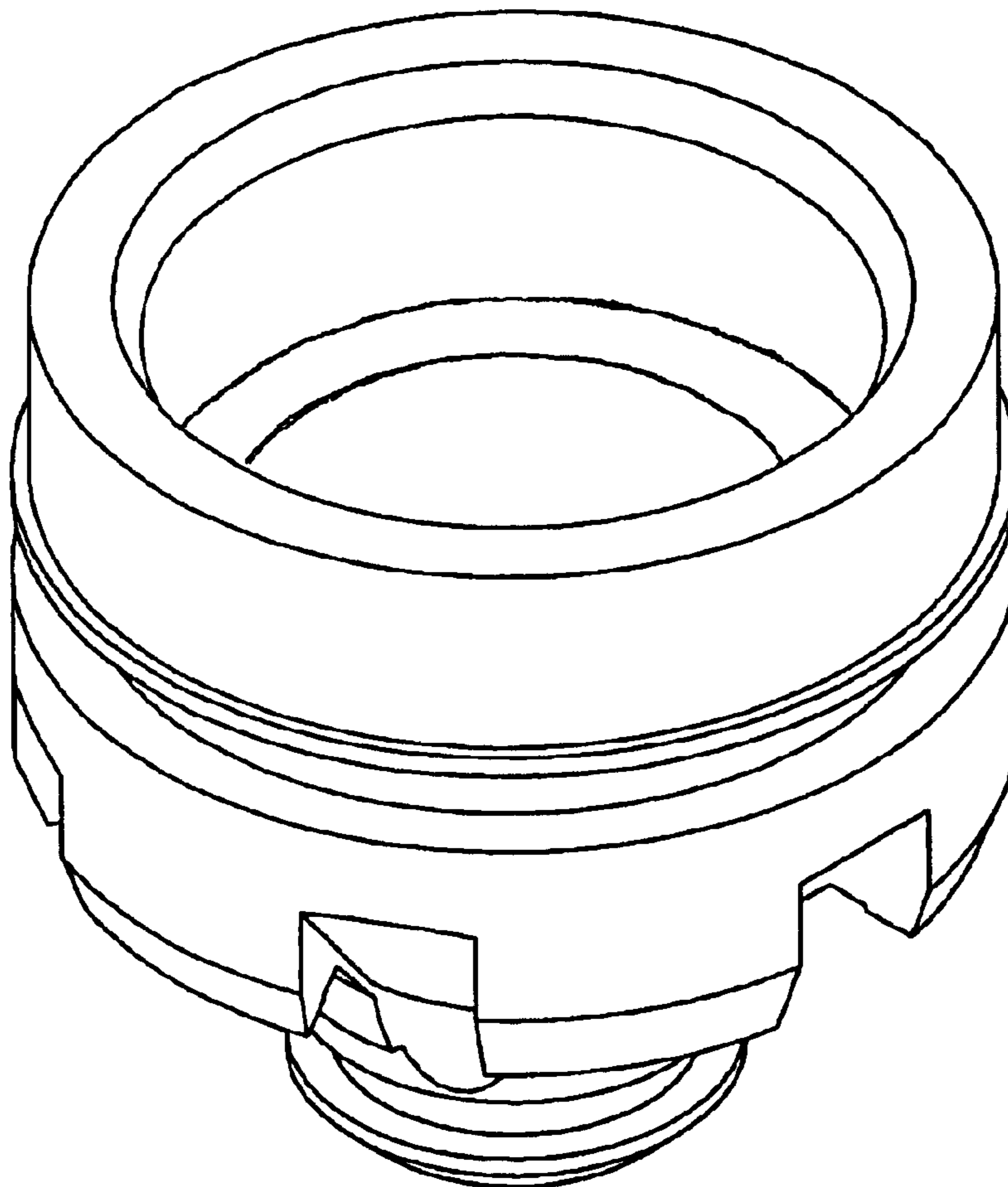
See application file for complete search history.

(56) **References Cited**

U.S. PATENT DOCUMENTS

D407,726 S * 4/1999 Zigliotto D15/144

1 Claim, 6 Drawing Sheets



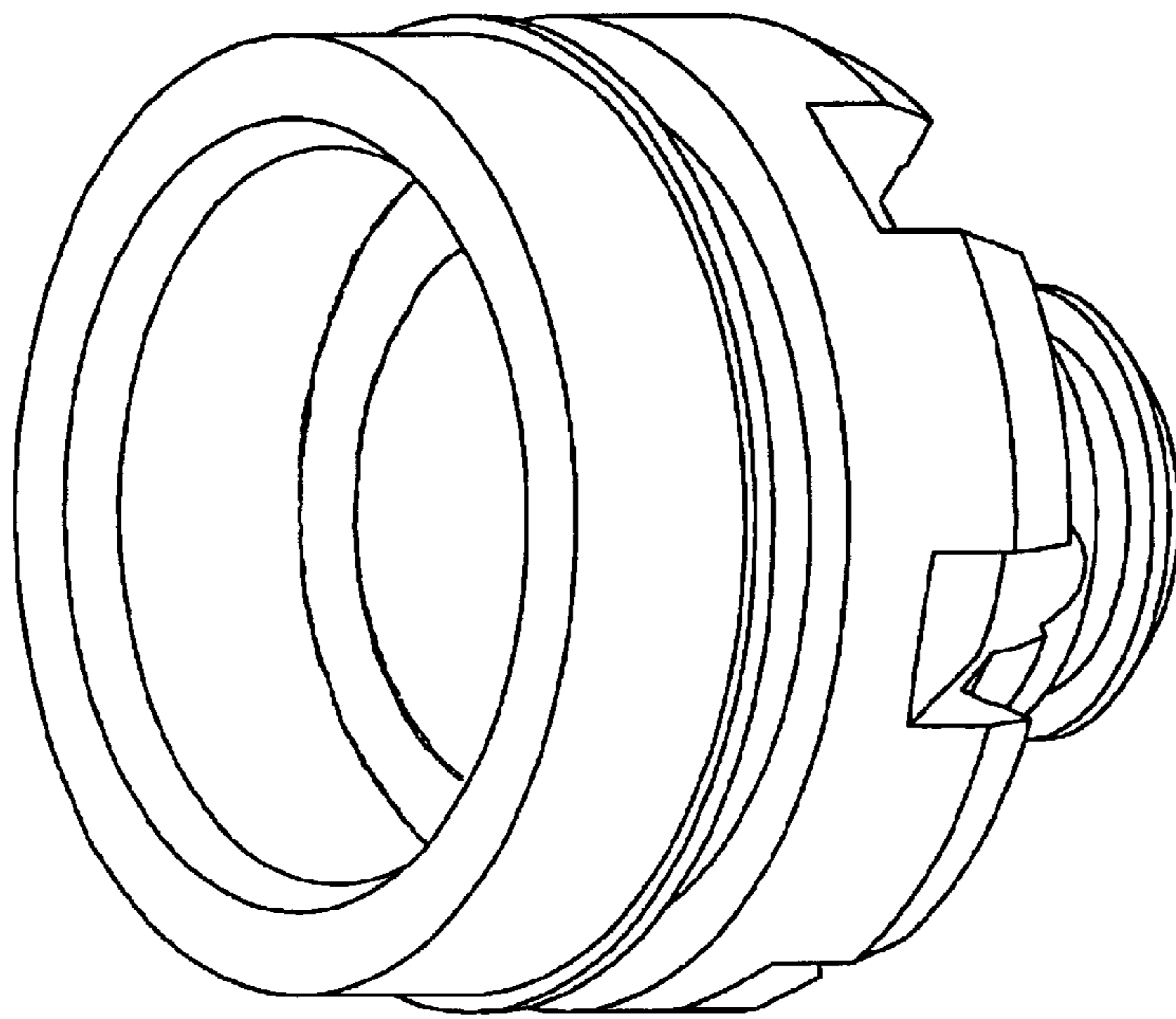


FIG. 1

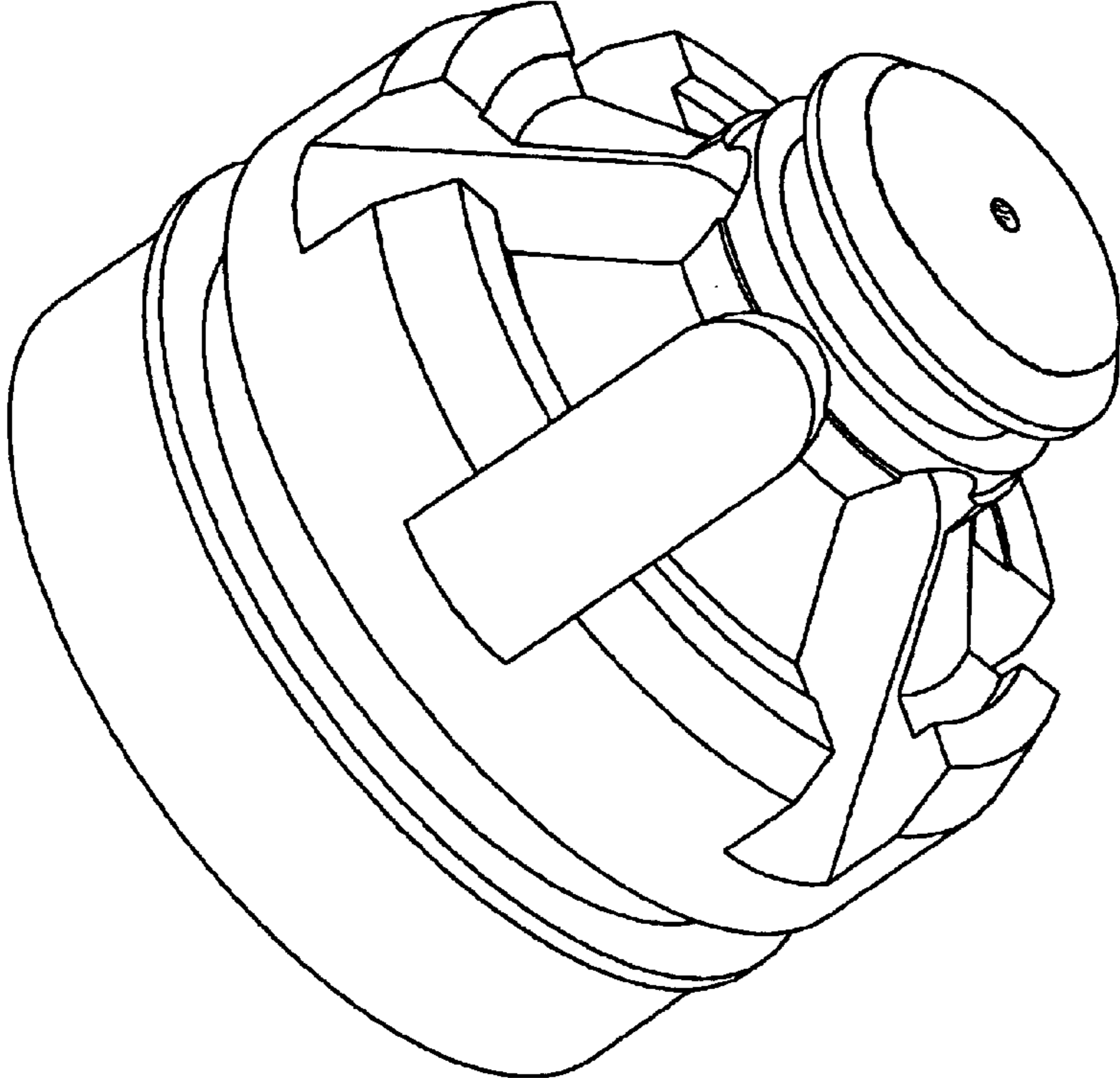


FIG. 2

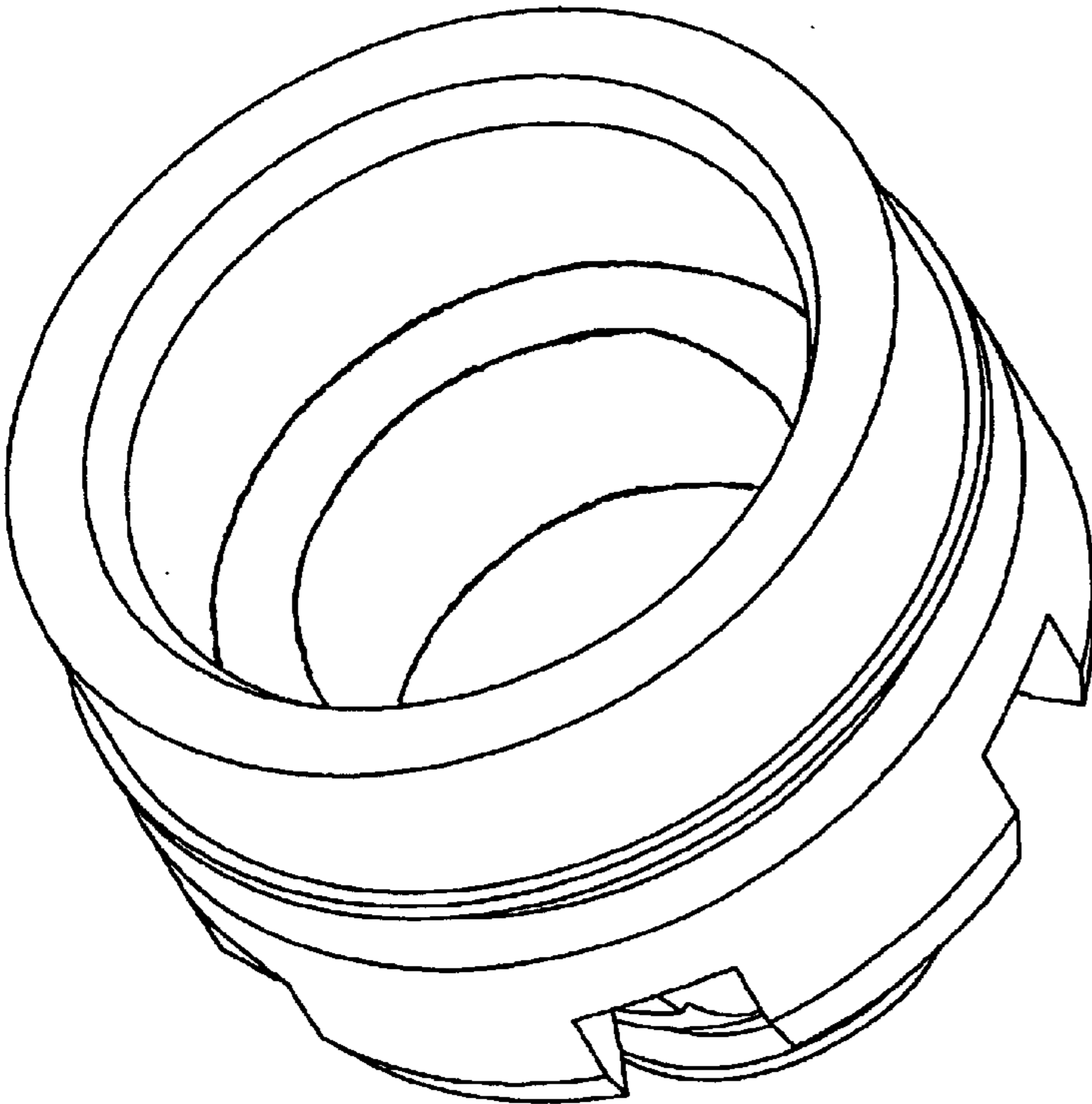


FIG. 3

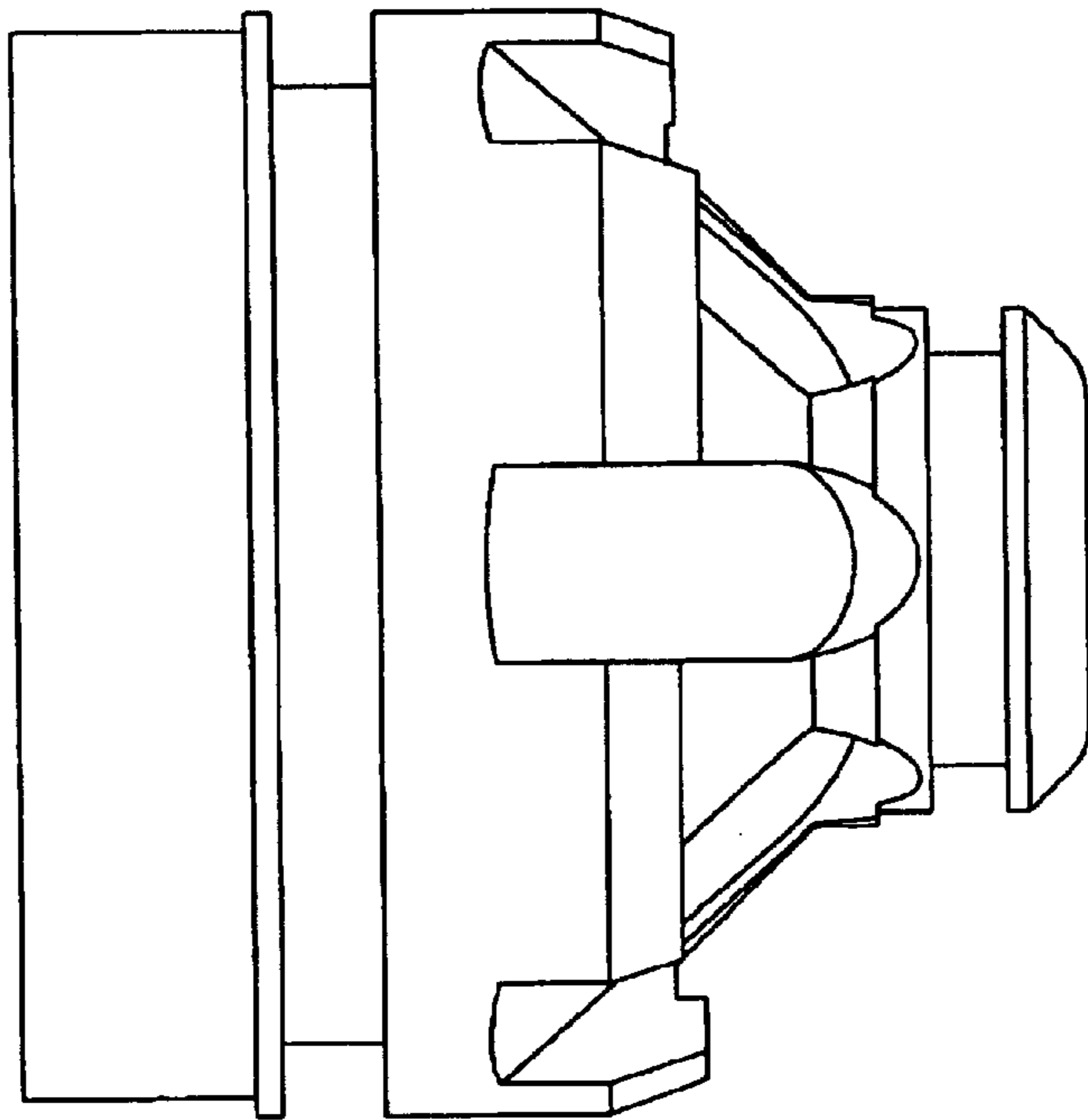


FIG. 4

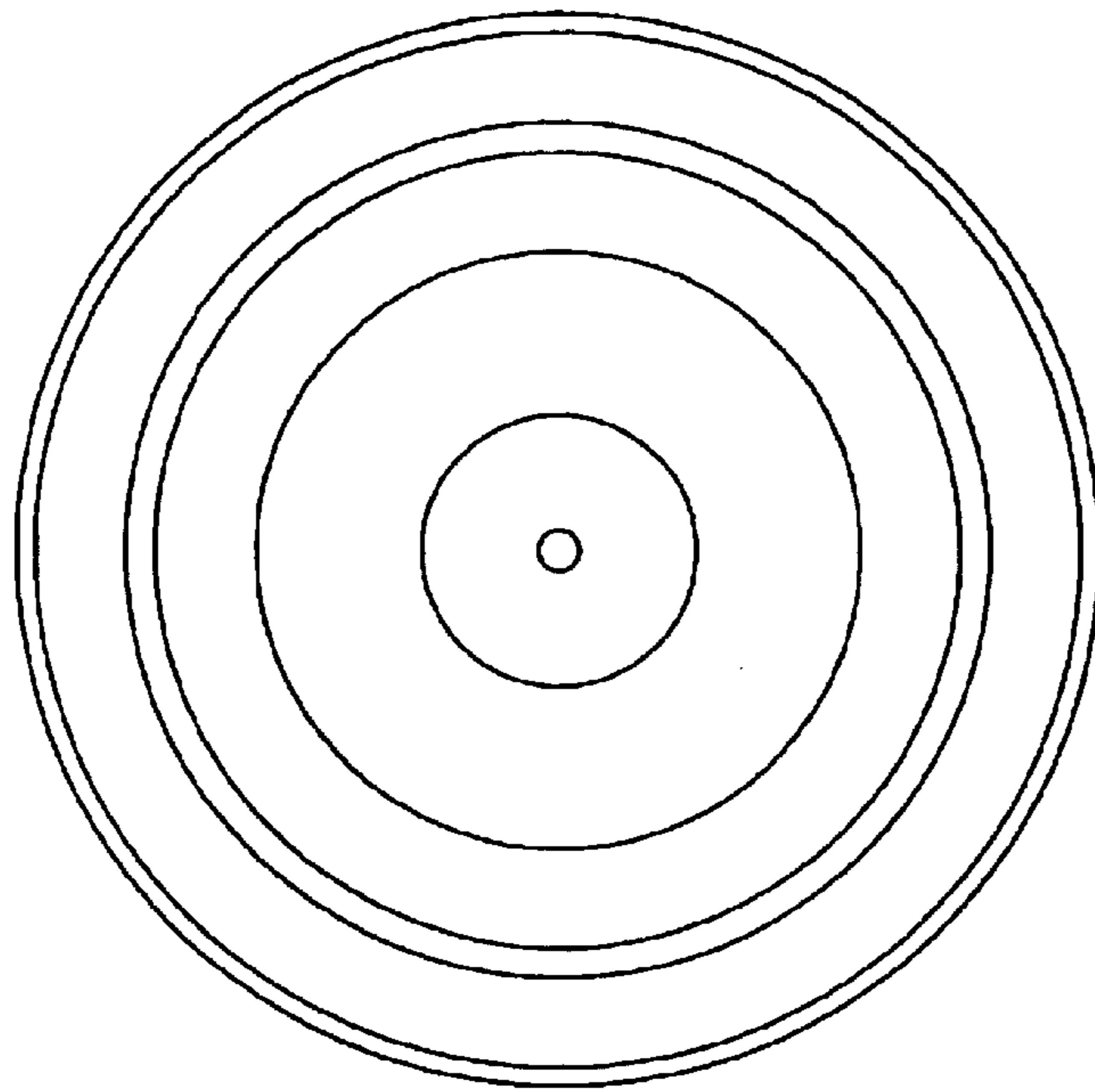


FIG. 5

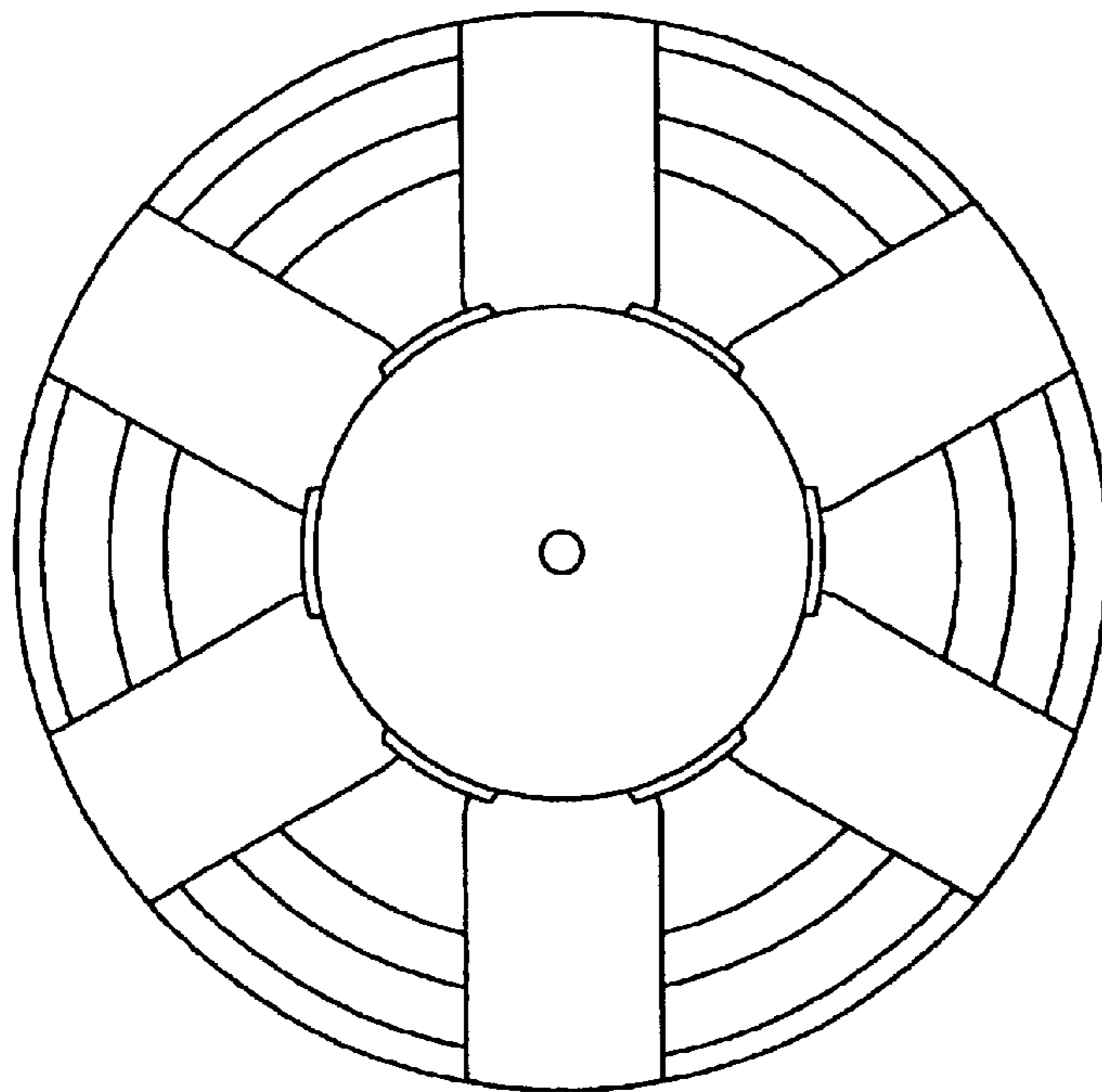


FIG. 6