

US00D519132S

(12) **United States Design Patent**
Laux et al.

(10) **Patent No.:** **US D519,132 S**

(45) **Date of Patent:** **** Apr. 18, 2006**

(54) **DASHBOARD OF A CONSTRUCTION VEHICLE**

(75) Inventors: **Robert Laux**, Neuwied (DE); **Roland Loew**, Klein-Winternheim (DE)

(73) Assignee: **Bomag GmbH**, Boppard (DE)

(**) Term: **14 Years**

(21) Appl. No.: **29/213,784**

(22) Filed: **Sep. 23, 2004**

(30) **Foreign Application Priority Data**

Mar. 23, 2004 (EM) 000155403

(51) **LOC (8) Cl.** **15-03**

(52) **U.S. Cl.** **D15/28**

(58) **Field of Classification Search** D15/10,
D15/17, 28, 22-26, 30; D12/192, 400; D10/125;
180/90; 296/70; 248/27.1; 362/30
See application file for complete search history.

(56) **References Cited**

U.S. PATENT DOCUMENTS

D256,018 S * 7/1980 Stone et al. D15/28
4,447,860 A * 5/1984 Stone et al. 362/30

D326,662 S * 6/1992 Holm et al. D15/17
D327,858 S * 7/1992 Avitan D10/125
D337,962 S * 8/1993 Avitan D10/125
D382,569 S * 8/1997 Esposito D15/28
D420,685 S * 2/2000 Muranen D15/30
D427,613 S * 7/2000 Altmann et al. D15/28
D428,022 S * 7/2000 Altmann et al. D15/28
D434,425 S * 11/2000 Rossow et al. D15/28
D439,257 S * 3/2001 Rossow et al. D15/28
D459,734 S * 7/2002 Hohnl et al. D15/28

* cited by examiner

Primary Examiner—Stella Reid
Assistant Examiner—Mark A. Goodwin

(74) *Attorney, Agent, or Firm*—Baker & Hostetler LLP

(57) **CLAIM**

The ornamental design for a dashboard of a construction vehicle, as shown and described.

DESCRIPTION

FIG. 1 is a perspective view of a dashboard of a construction vehicle showing our new design; and, FIG. 2 is a front view thereof.

The broken lines in FIGS. 1 and 2, showing the outlying areas of the dashboard and numeric data are for illustrative purposes only and form no part of the claimed design.

1 Claim, 2 Drawing Sheets

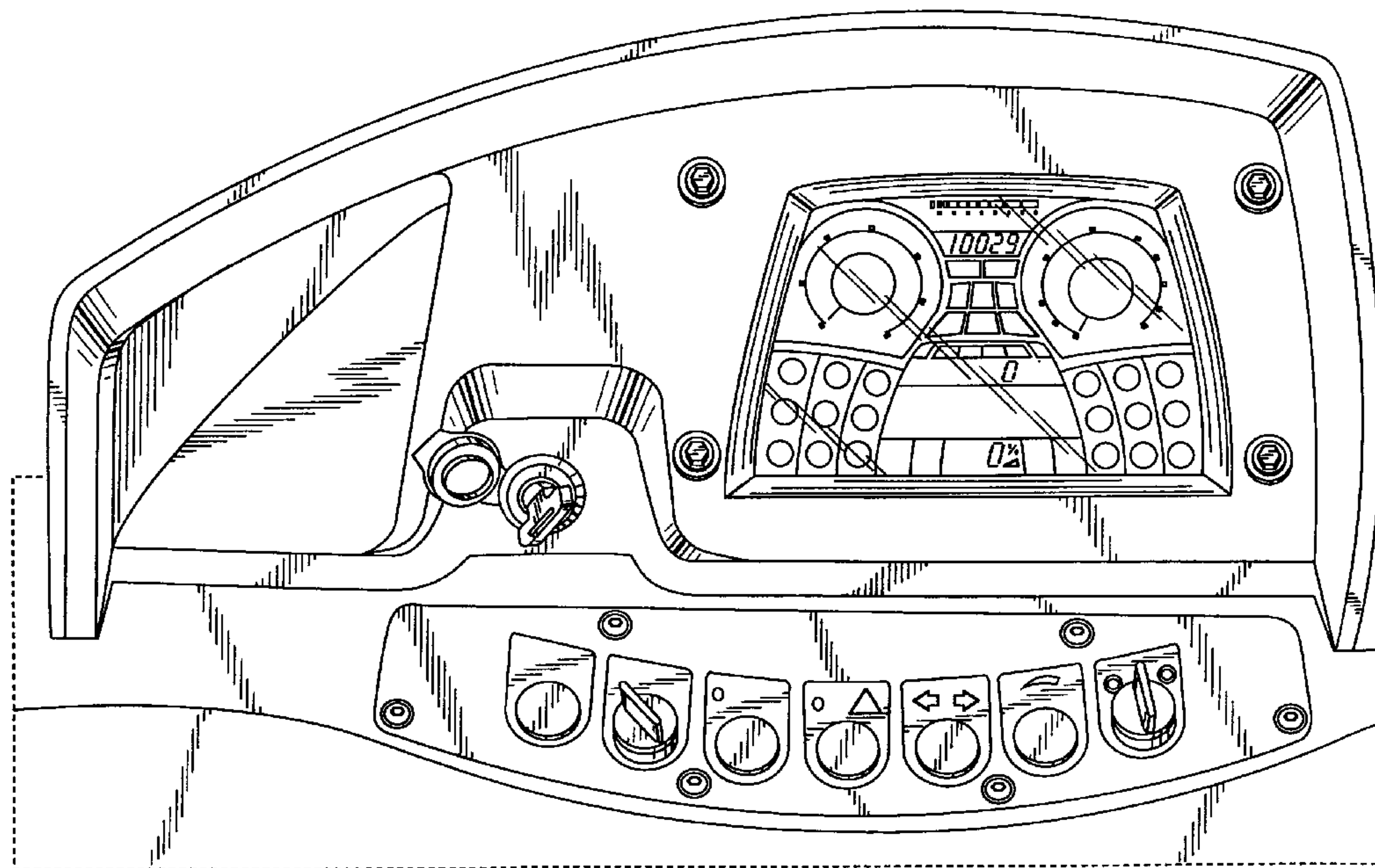


FIG. 1

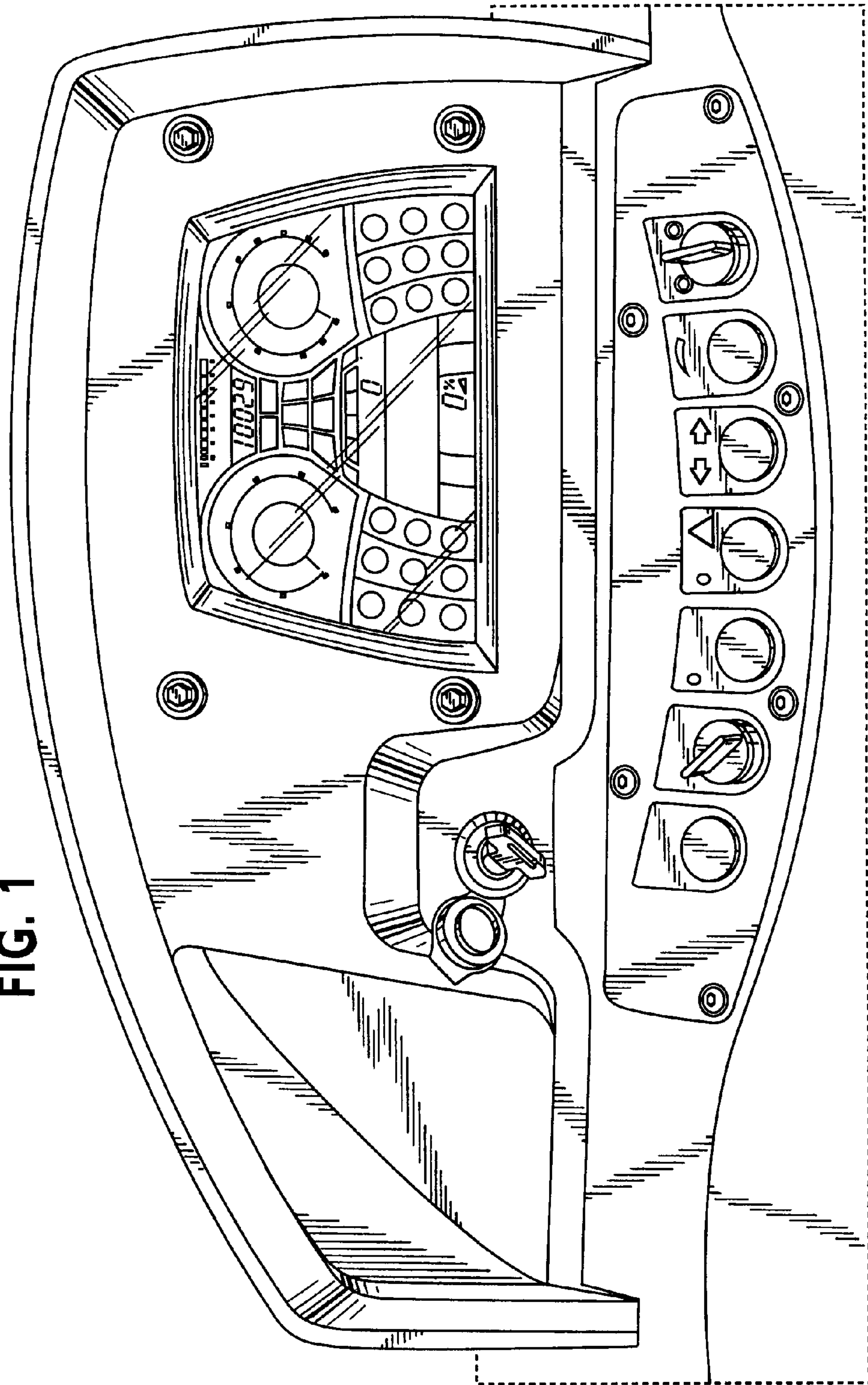


FIG. 2

