



US00D519129S

(12) **United States Design Patent**
Vennard et al.

(10) **Patent No.:** **US D519,129 S**
(45) **Date of Patent:** **** Apr. 18, 2006**

(54) **SNOW MOVING APPARATUS**

(76) Inventors: **Robert G. Vennard**, 10 Hicke Bay,
Regina, SK (CA), S4R 7G5; **Justin L.
Tremblay**, 5327 McKinley Avenue,
Regina, SK (CA), S4T 7M2; **Miles M.
E. Evans**, 308-2600 Arens Road,
Regina, SK (CA), S4V 3A7

(**) Term: **14 Years**

(21) Appl. No.: **29/231,484**

(22) Filed: **Jun. 6, 2005**

Related U.S. Application Data

(60) Division of application No. 29/185,854, filed on Jul. 3, 2003,
which is a continuation-in-part of application No. 29/171,
447, filed on Nov. 21, 2002, now Pat. No. Des. 478,097.

(51) **LOC (8) Cl.** **15-03**

(52) **U.S. Cl.** **D15/11**

(58) **Field of Classification Search** D15/10,
D15/11, 23, 25, 28, 32; 37/217, 273, 276,
37/407, 266, 279; 254/131.5, 54.5, 59; 701/41,
701/50; 702/41; 180/6.7, 701.1, 4.5, 7, 2,
180/817, 826, 821

See application file for complete search history.

(56) **References Cited**

U.S. PATENT DOCUMENTS

4,306,362 A 12/1981 Waterman

4,531,713 A 7/1985 Balboni
5,473,541 A 12/1995 Ishino et al.
5,535,830 A 7/1996 Matsushita et al.
5,799,737 A 9/1998 Kamikawa et al.
6,481,506 B1 11/2002 Okada et al.
D478,097 S 8/2003 Vennard et al.

Primary Examiner—Mitchell Seigel

(74) *Attorney, Agent, or Firm*—Davis & Bujold, P.L.L.C.

(57) **CLAIM**

I/We claim the ornamental design for a snow moving
apparatus, as shown and described.

DESCRIPTION

FIG. 1 is a front perspective view of the snow moving
apparatus;

FIG. 2 is a rear perspective view of the snow moving
apparatus;

FIG. 3 is a front elevational view of the snow moving
apparatus;

FIG. 4 is a rear elevational view of the snow moving
apparatus;

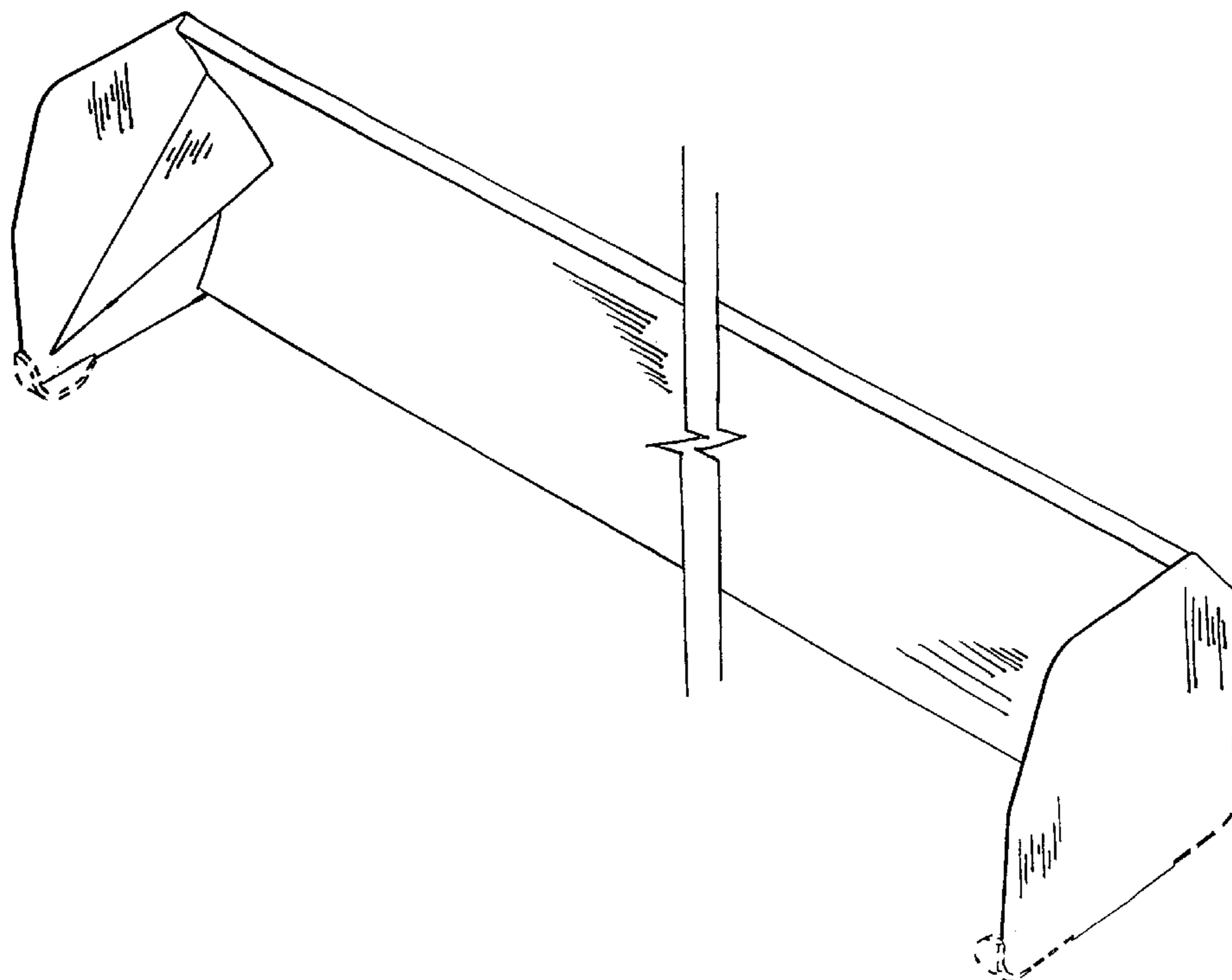
FIG. 5 is a bottom plan view of the snow moving apparatus;

FIG. 6 is a top plan view of the snow moving apparatus;

FIG. 7 is a left side view of the snow moving apparatus; and,
FIG. 8 is a right side view of the snow moving apparatus.

The broken line showing of is for illustrative purposes only
and forms no part of the claimed design. The blade portion
of the claimed design is shown broken-away do to indeter-
minate length.

1 Claim, 8 Drawing Sheets



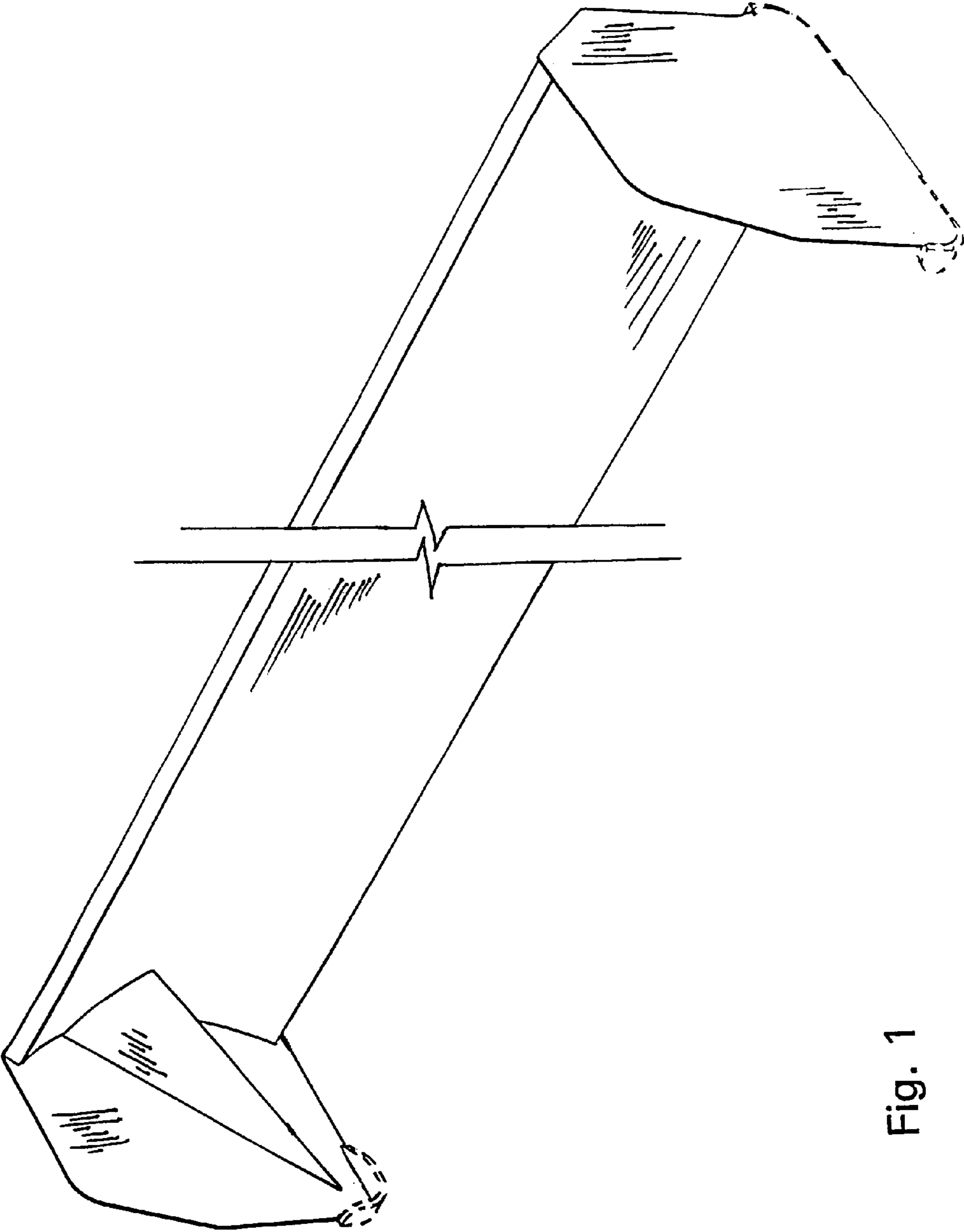


Fig. 1

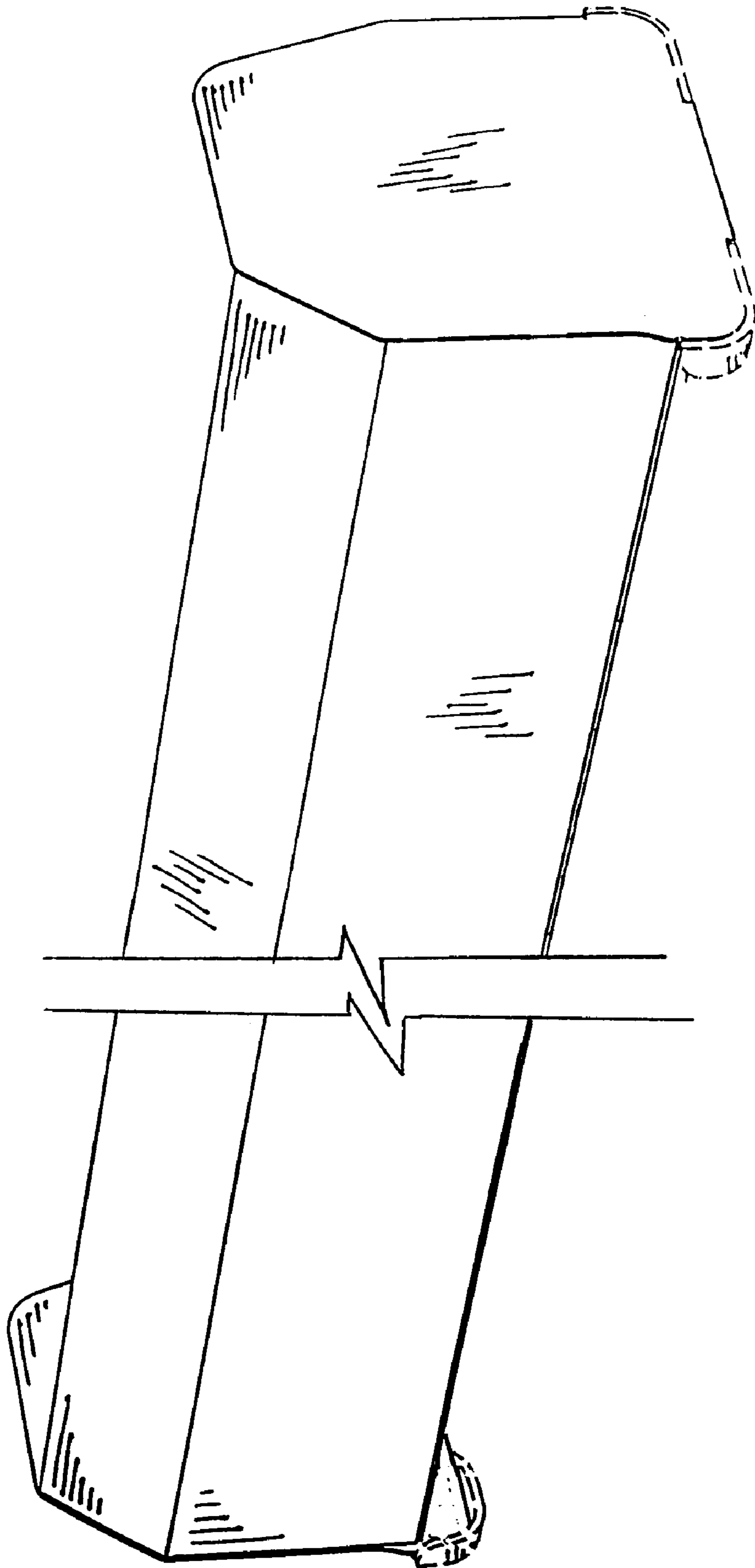


Fig. 2

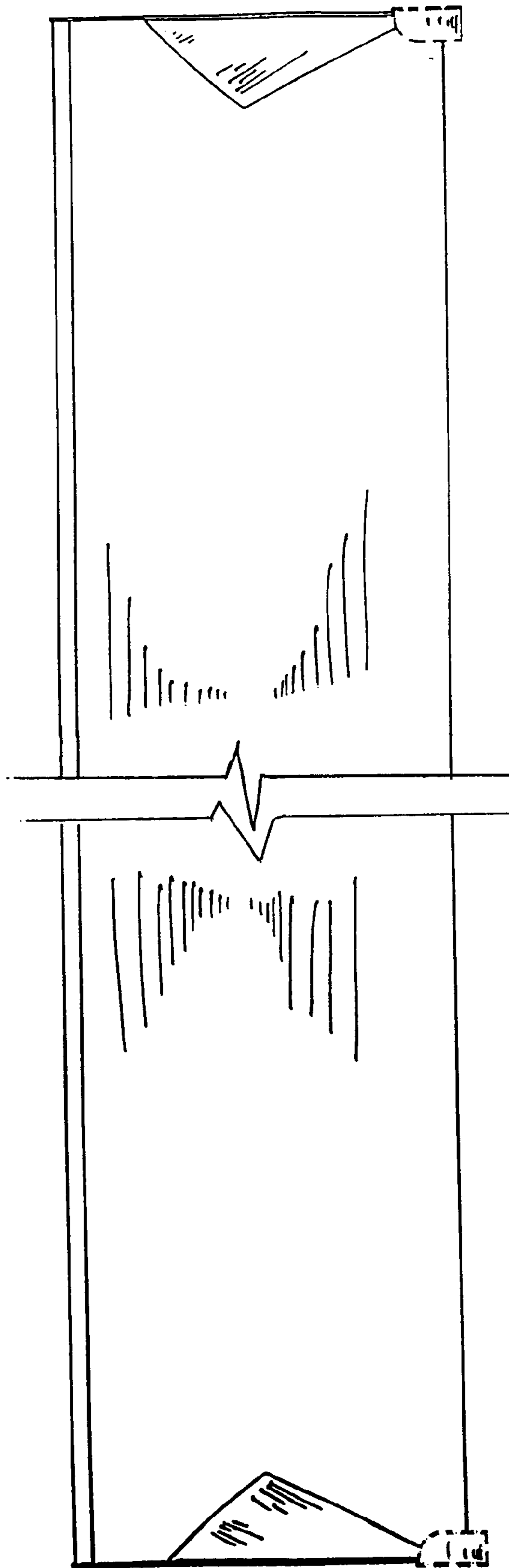


Fig. 3

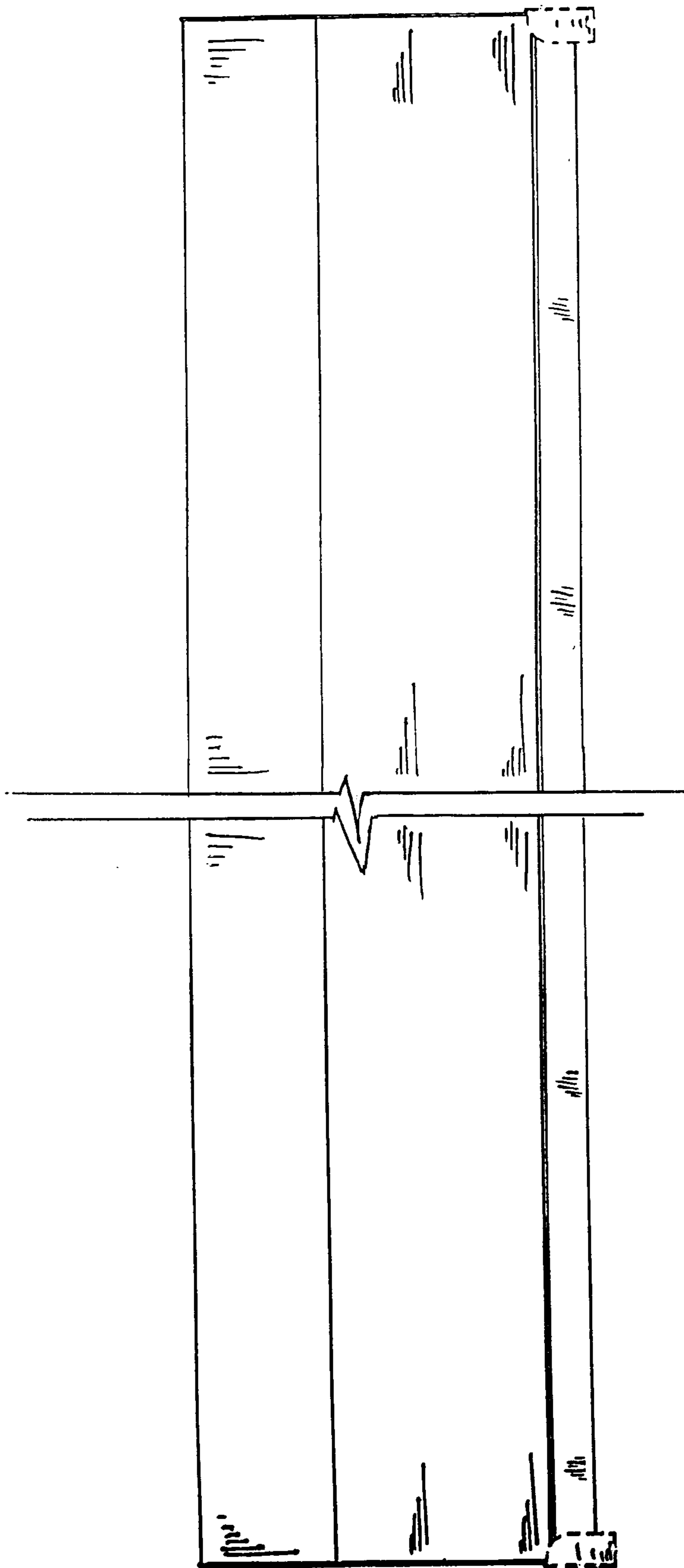


Fig. 4

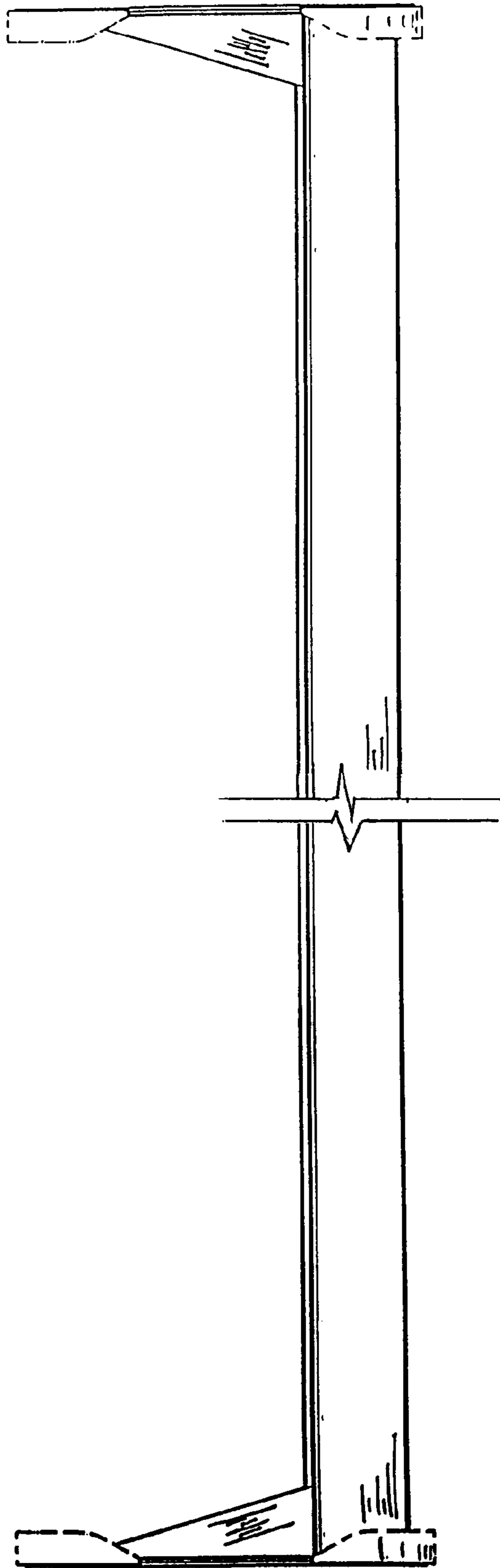


Fig. 5

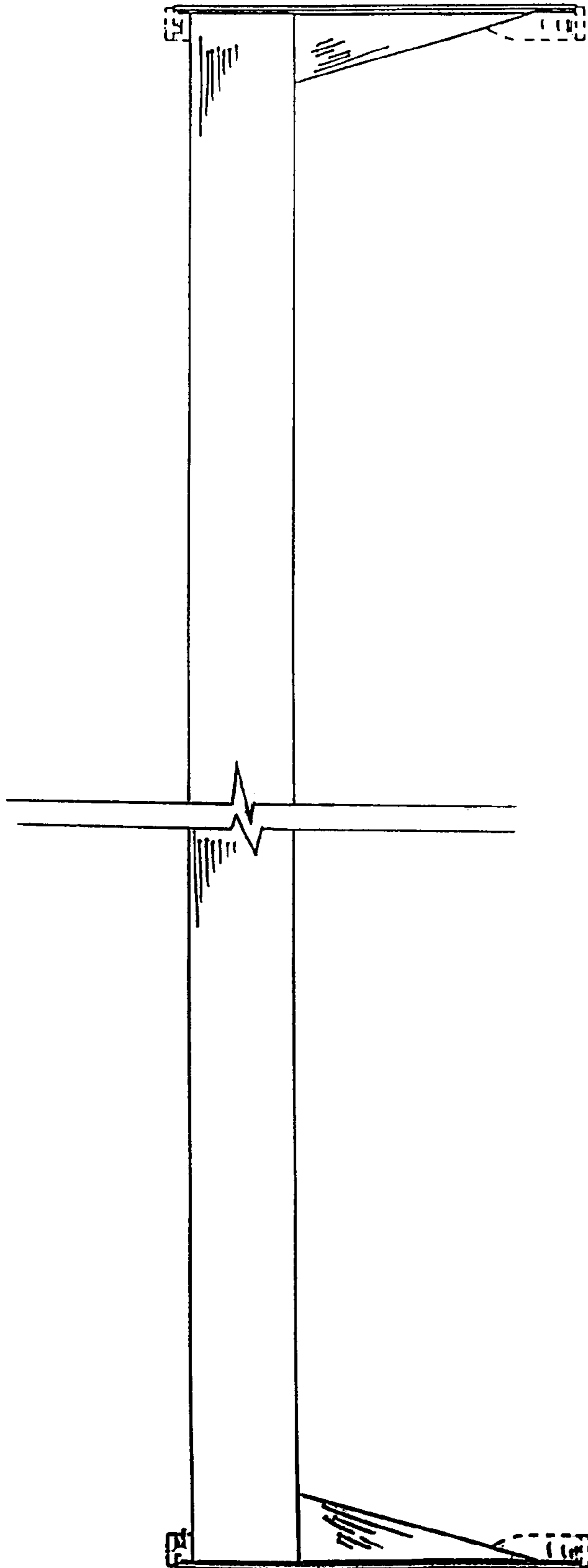


Fig. 6

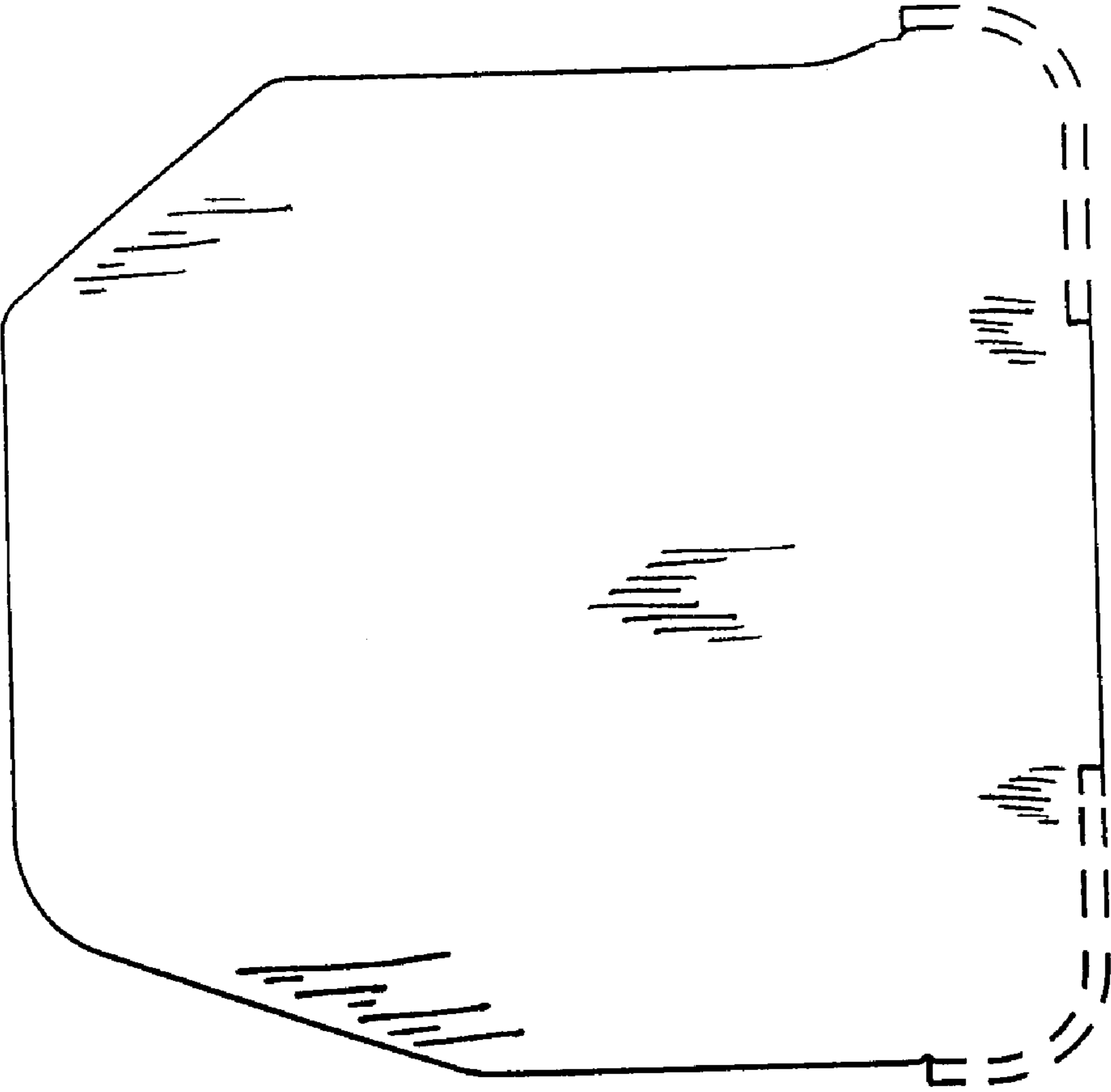


Fig. 7

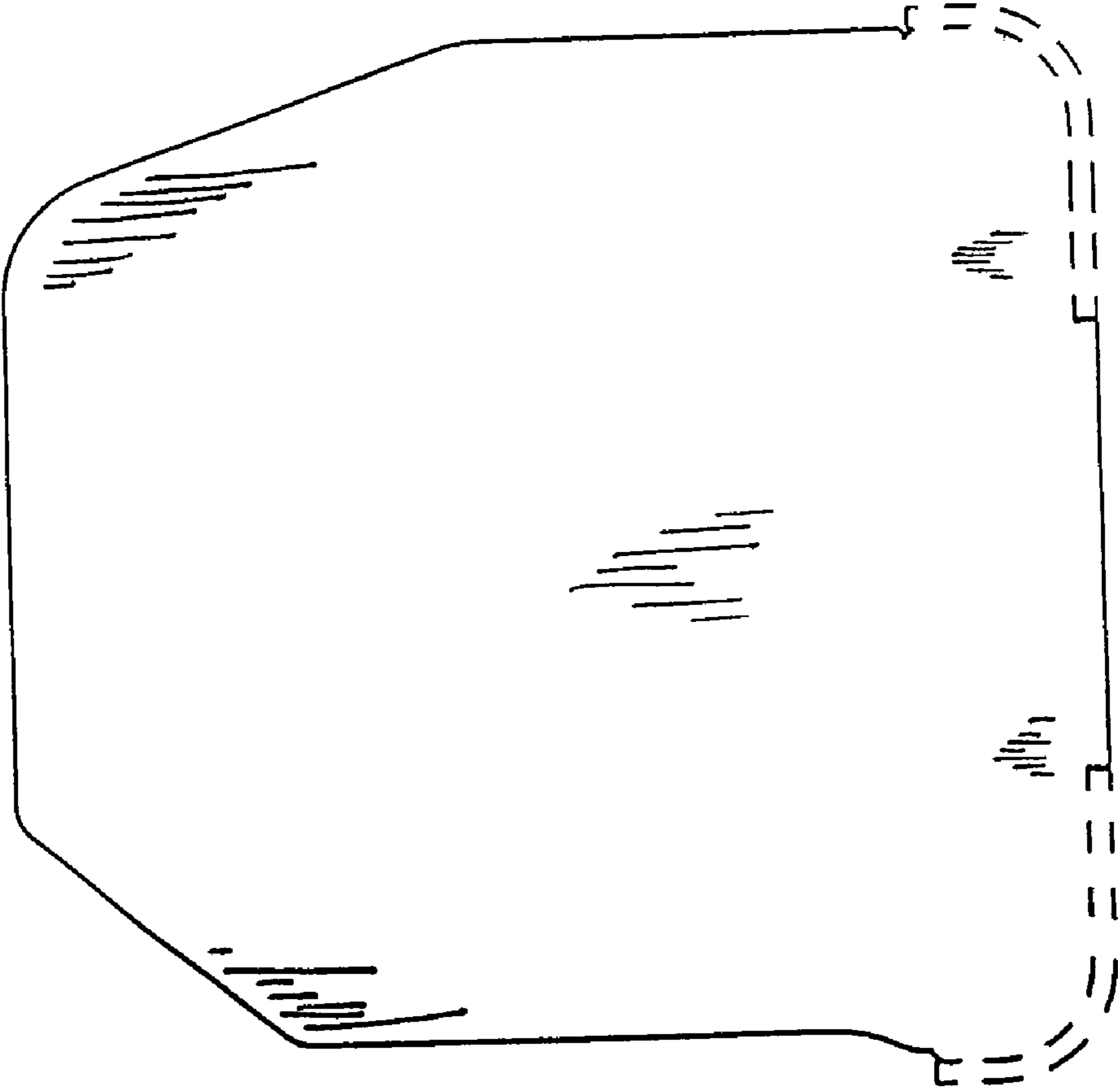


Fig. 8