



US00D519128S

(12) **United States Design Patent**
Vennard et al.

(10) **Patent No.:** **US D519,128 S**
(45) **Date of Patent:** **** Apr. 18, 2006**

(54) **SNOW MOVING APPARATUS**

(75) Inventors: **Robert G. Vennard**, Regina (CA);
Justin L. Tremblay, Regina (CA);
Miles M. E. Evans, Regina (CA)

(73) Assignee: **Degelman Industries Ltd.**, Regina (CA)

(**) Term: **14 Years**

(21) Appl. No.: **29/185,854**

(22) Filed: **Jul. 3, 2003**

Related U.S. Application Data

(63) Continuation-in-part of application No. 29/171,447, filed on Nov. 21, 2002, now Pat. No. Des. 478,097.

(51) **LOC (8) Cl.** **15-03**

(52) **U.S. Cl.** **D15/11**

(58) **Field of Classification Search** D15/10,
D15/11, 23, 25, 28, 32; 37/219, 273, 276,
37/407, 266, 279, 217; 254/131.5, 54.5, 59;
701/41, 50; 702/41; 180/6.7, 701.1, 4.5, 7,
180/2, 817, 826, 821; 172/7, 2, 817, 826,
172/821

See application file for complete search history.

(56) **References Cited**

U.S. PATENT DOCUMENTS

4,306,362 A * 12/1981 Waterman 37/219

4,531,713 A * 7/1985 Balboni 254/131.5
5,473,541 A * 12/1995 Ishino et al. 701/50
5,535,830 A * 7/1996 Matsushita et al. 172/7
5,799,737 A * 9/1998 Kamikawa et al. 172/2
6,481,506 B1 * 11/2002 Okada et al. 172/812
D478,097 S * 8/2003 Vennard et al. D15/11

* cited by examiner

Primary Examiner—Mitchell Siegel

(74) *Attorney, Agent, or Firm*—Davis & Bujold, P.L.L.C.

(57) **CLAIM**

We claim the ornamental design for a snow moving apparatus, as shown and described.

DESCRIPTION

FIG. 1 is a front perspective view of the snow moving apparatus;

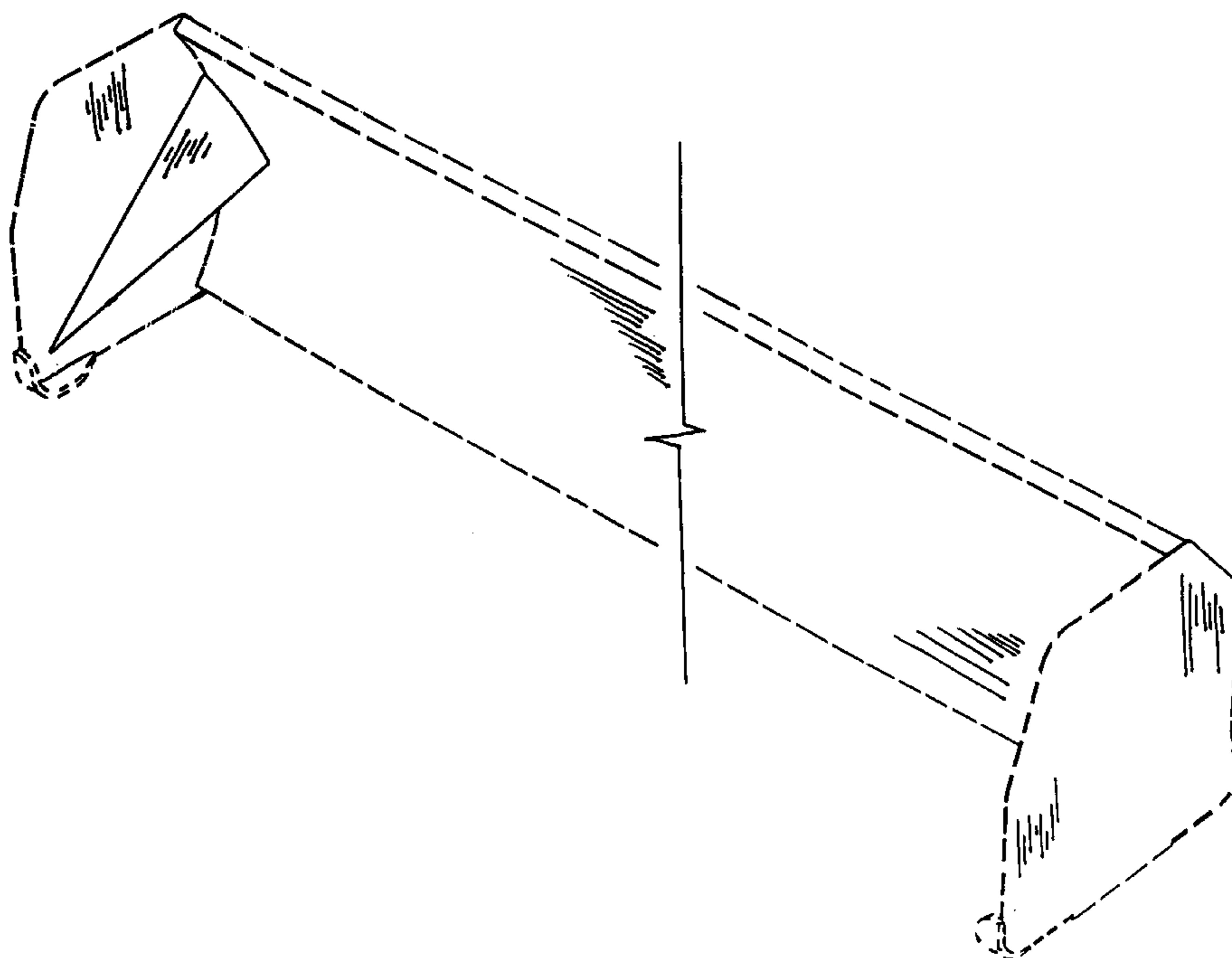
FIG. 2 is a front elevational view of the snow moving apparatus;

FIG. 3 is a bottom plan view of the snow moving apparatus; and,

FIG. 4 is a top plan view of the snow moving apparatus.

The broken line showing of is for illustrative purposes only and forms no part of the claimed design.

1 Claim, 4 Drawing Sheets



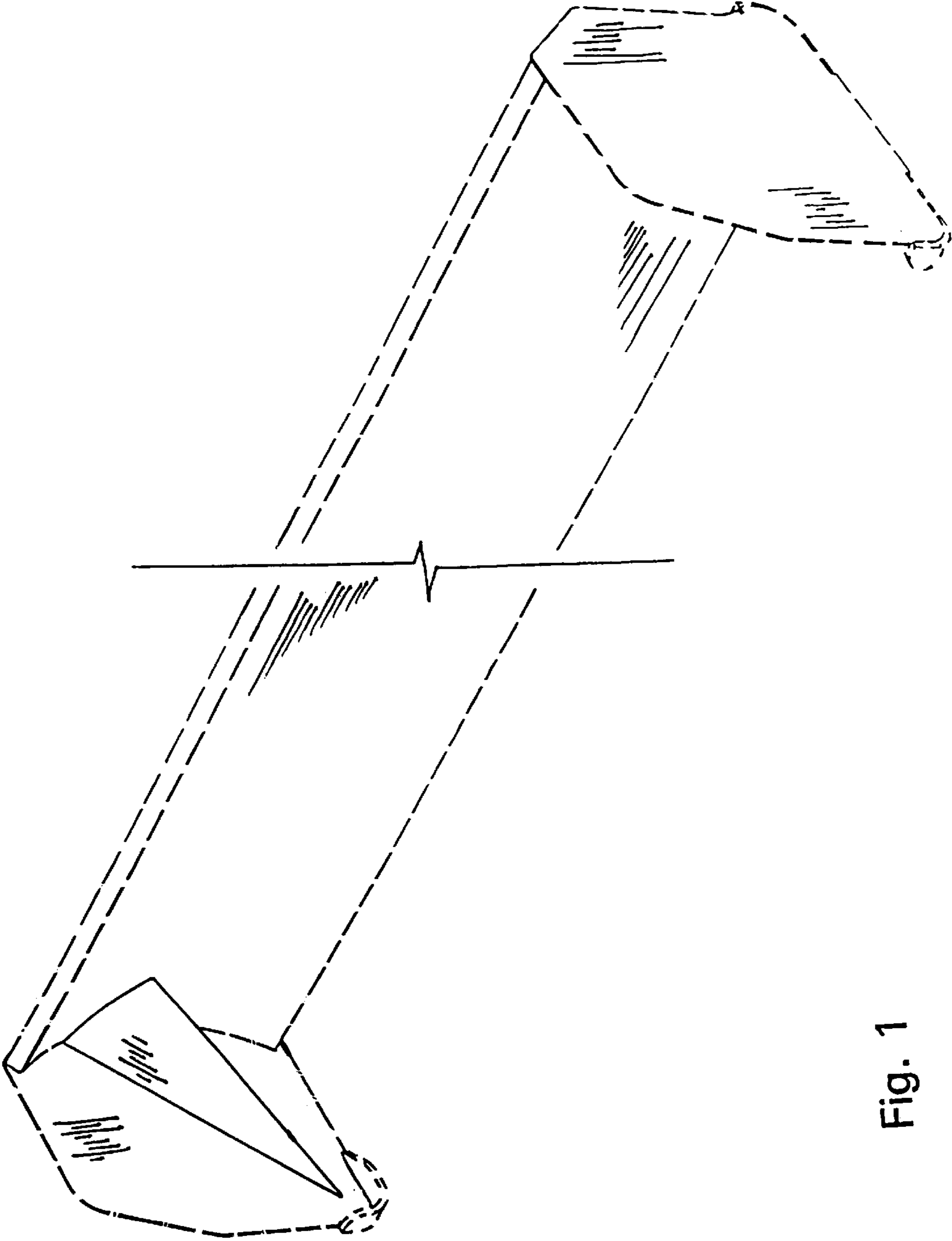


Fig. 1

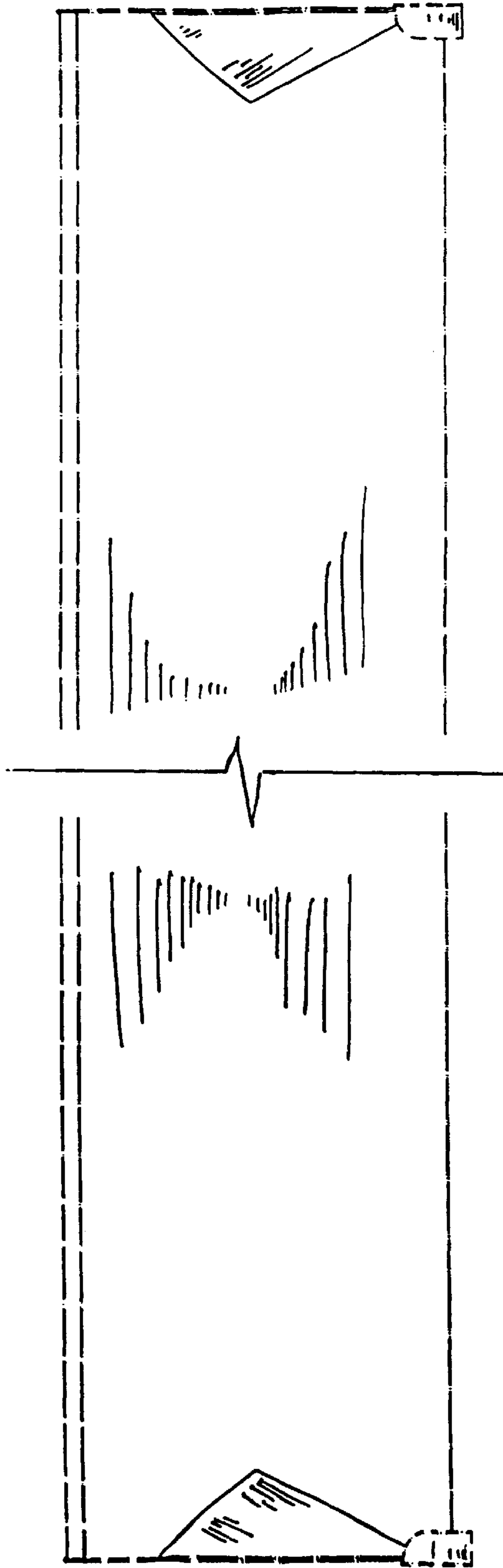


Fig. 2

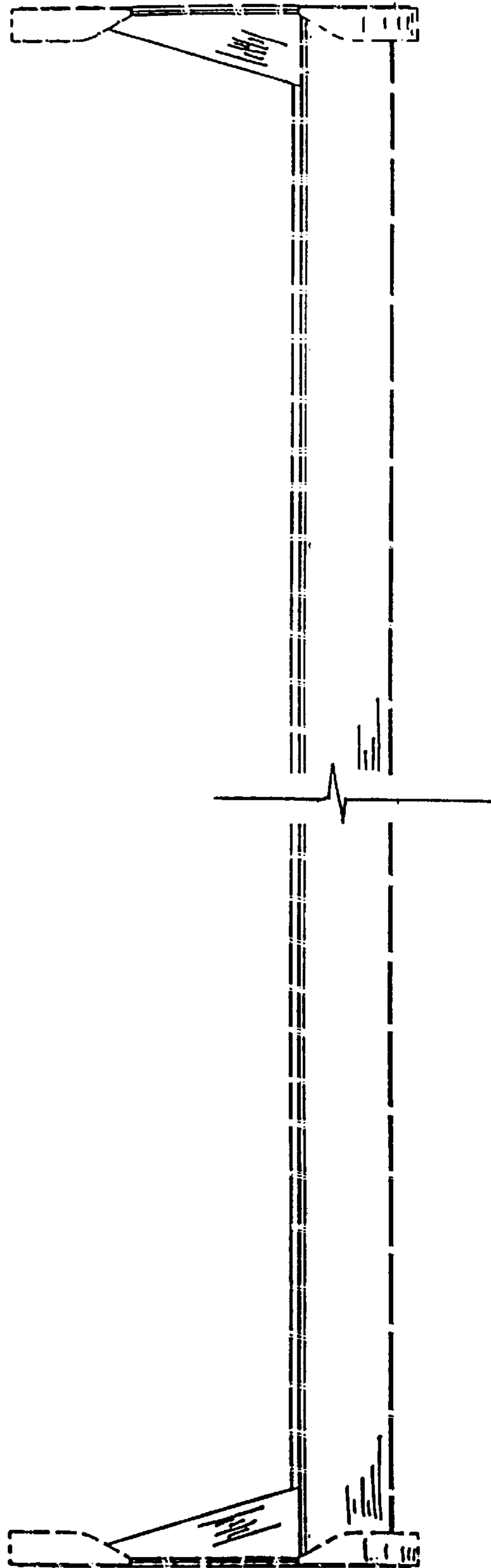


Fig. 3

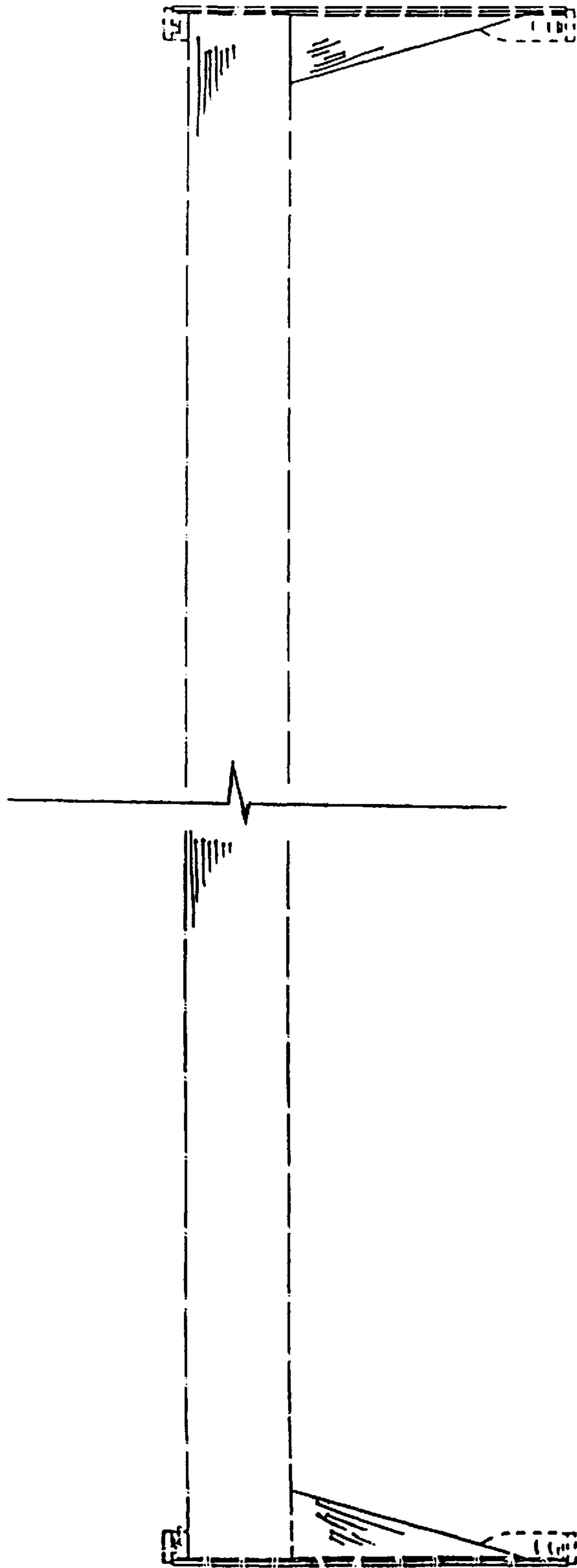


Fig. 4