



US00D519127S

(12) **United States Design Patent**  
**Shaffer et al.**

(10) **Patent No.:** **US D519,127 S**

(45) **Date of Patent:** **\*\* Apr. 18, 2006**

(54) **HOUSING FOR CONVERTIBLE YARD TOOL**

(75) Inventors: **Chadwick A. Shaffer**, Oakdale, MN  
(US); **David J. Martin**, Eden Prairie,  
MN (US)

(73) Assignee: **The Toro Company**, Bloomington, MN  
(US)

(\*\*) **Term:** **14 Years**

(21) **Appl. No.:** **29/216,077**

(22) **Filed:** **Oct. 27, 2004**

(51) **LOC (8) Cl.** ..... **15-03**

(52) **U.S. Cl.** ..... **D15/10; D15/12**

(58) **Field of Classification Search** ..... D15/10-12;  
D8/8; 37/227, 244, 241, 242, 246, 259, 260,  
37/252, 256; 30/298.1, 276

See application file for complete search history.

D324,524 S *	3/1992	Beihoffer	.....	D15/11
D326,457 S *	5/1992	Pink et al.	.....	D15/11
5,161,318 A	11/1992	Bergman et al.		
5,269,082 A	12/1993	Sund et al.		
5,398,431 A	3/1995	Beihoffer et al.		
5,522,162 A	6/1996	Allison		
5,553,406 A	9/1996	Cerny		
5,560,108 A	10/1996	Wilson		
5,603,173 A	2/1997	Brazell		
D380,129 S	6/1997	Meisner et al.		
D382,450 S	8/1997	Meisner et al.		
D382,778 S	8/1997	Meisner et al.		
5,662,428 A	9/1997	Wilson		
5,771,582 A	6/1998	Tuggle		
5,867,911 A	2/1999	Yates et al.		
D406,225 S	3/1999	Searle et al.		
5,933,966 A	8/1999	Yates et al.		
6,076,265 A	6/2000	Huang Lo		
6,182,383 B1	2/2001	Reed, Jr.		
D440,131 S	4/2001	Aglassinger et al.		
6,301,866 B1	10/2001	Marshall et al.		

(Continued)

(56) **References Cited**

U.S. PATENT DOCUMENTS

3,221,481 A	12/1965	Mattson et al.		
3,330,102 A	7/1967	Schuman, Jr.		
3,341,235 A	9/1967	Mattson et al.		
3,350,864 A	11/1967	Sheps et al.		
3,561,199 A	2/1971	Lay		
3,627,054 A	12/1971	Lay		
4,190,972 A	3/1980	Berner		
4,255,880 A	3/1981	McMickle et al.		
D260,898 S *	9/1981	Chieda et al.	.....	D15/12
4,295,285 A	10/1981	Stevens		
D262,797 S *	1/1982	Arthur et al.	.....	D15/12
4,325,195 A *	4/1982	Comer	.....	37/227
4,329,792 A	5/1982	Berner		
D266,427 S *	10/1982	McMickle et al.	.....	D15/12
D267,953 S *	2/1983	Berner	.....	D15/12
4,378,644 A	4/1983	Tuggle et al.		
4,397,088 A *	8/1983	Hampel	.....	30/296.1
D272,742 S *	2/1984	Hoshino	.....	D15/11
4,505,040 A	3/1985	Everts		
D278,537 S *	4/1985	Krapowicz et al.	.....	D15/12
4,894,914 A	1/1990	Mead		
D320,993 S *	10/1991	Pink et al.	.....	D15/12

*Primary Examiner*—Stella Reid

*Assistant Examiner*—Mark A. Goodwin

(74) *Attorney, Agent, or Firm*—Fulbright & Jaworski L.L.P.

(57) **CLAIM**

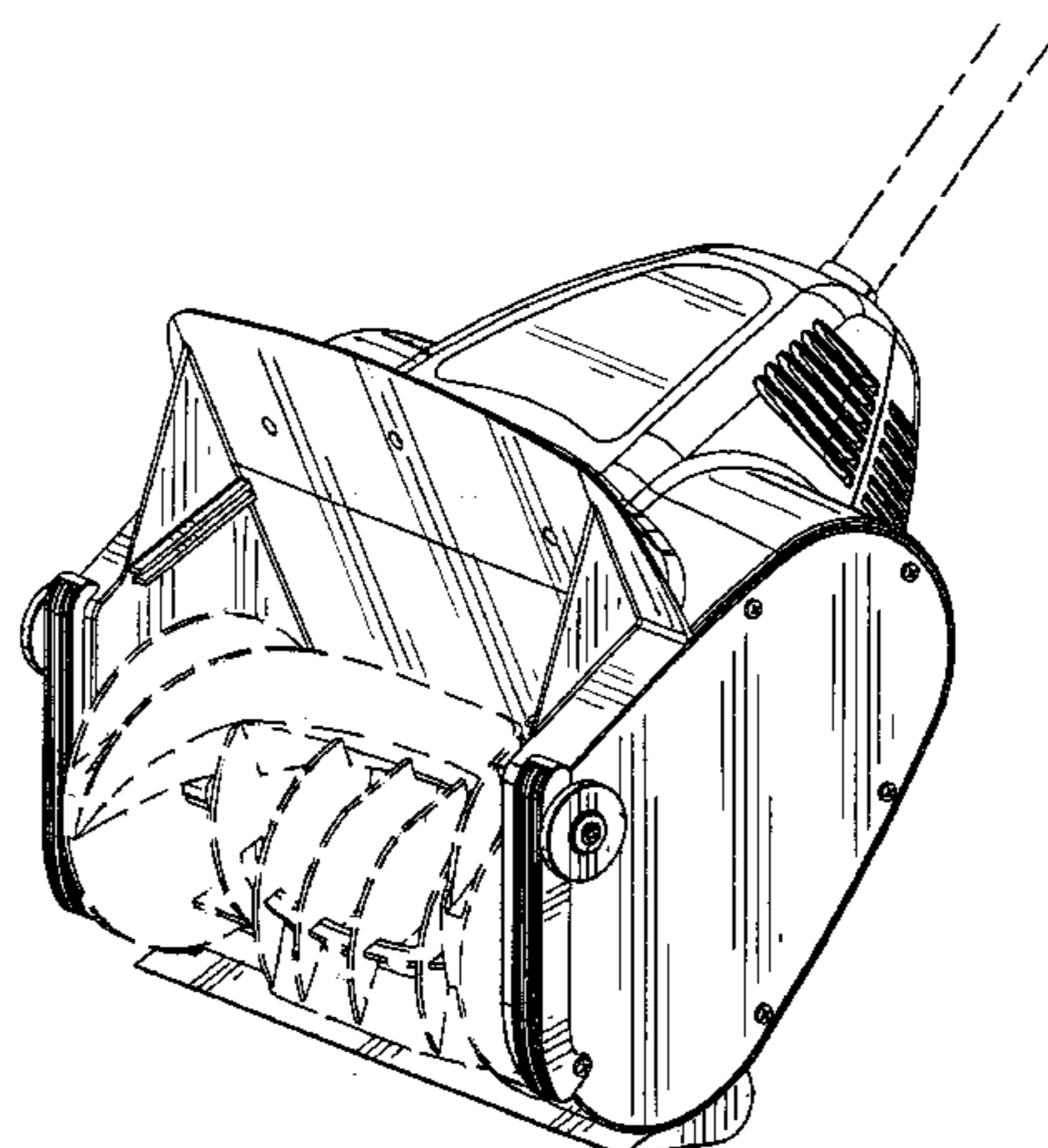
The ornamental design for a housing for convertible yard tool, as shown and described.

**DESCRIPTION**

FIG. 1 is a perspective view of a housing for a convertible yard tool showing our new design;  
FIG. 2 is a front elevational view thereof;  
FIG. 3 is a left side elevational view thereof;  
FIG. 4 is a right side elevational view thereof;  
FIG. 5 is a back elevational view thereof;  
FIG. 6 is a top plan view thereof; and,  
FIG. 7 is a bottom plan view thereof.

The broken line showing the snow throwing impeller and the handle is for illustrative purposes only and forms no part of the claimed design.

**1 Claim, 7 Drawing Sheets**



# US D519,127 S

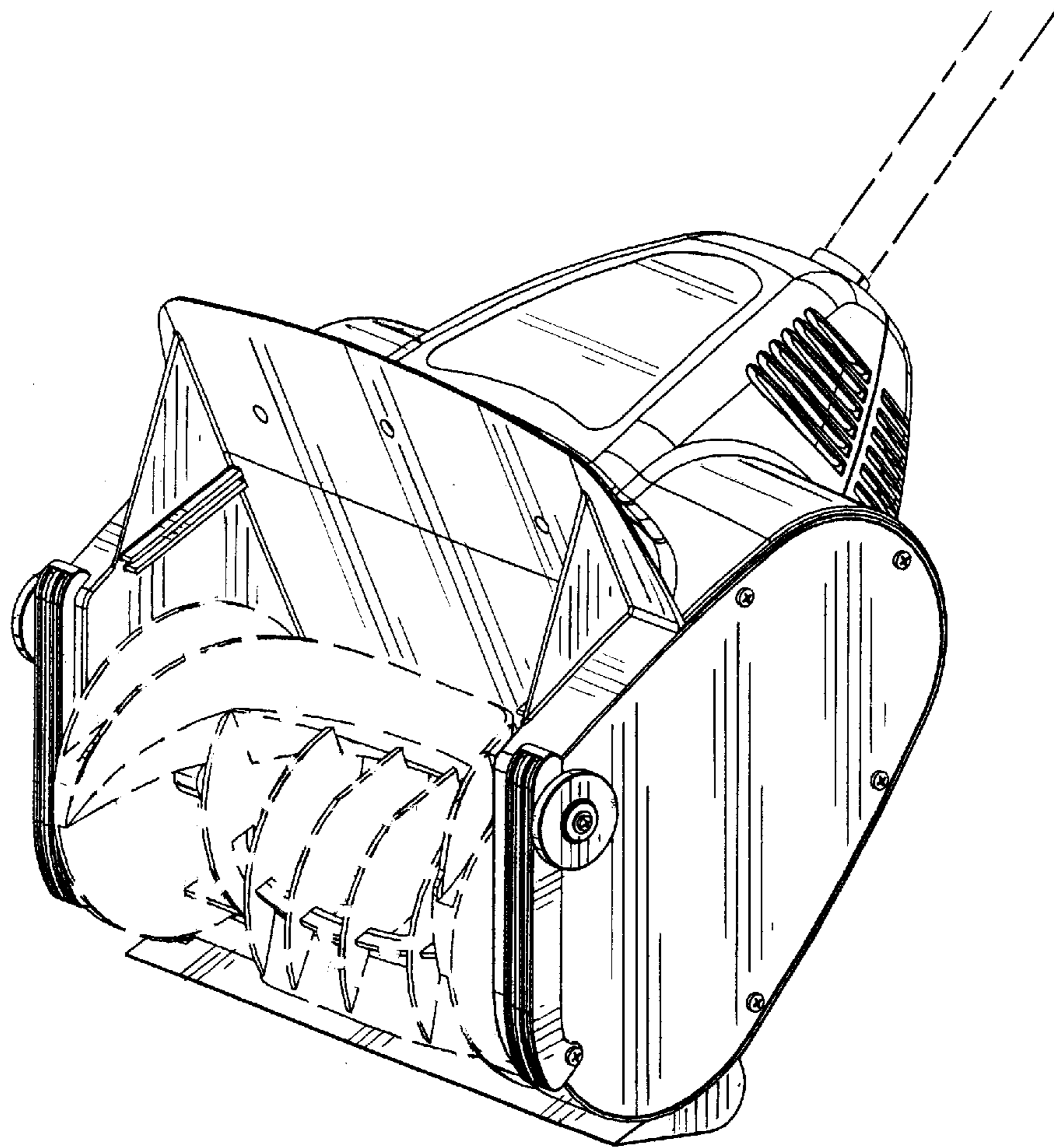
Page 2

---

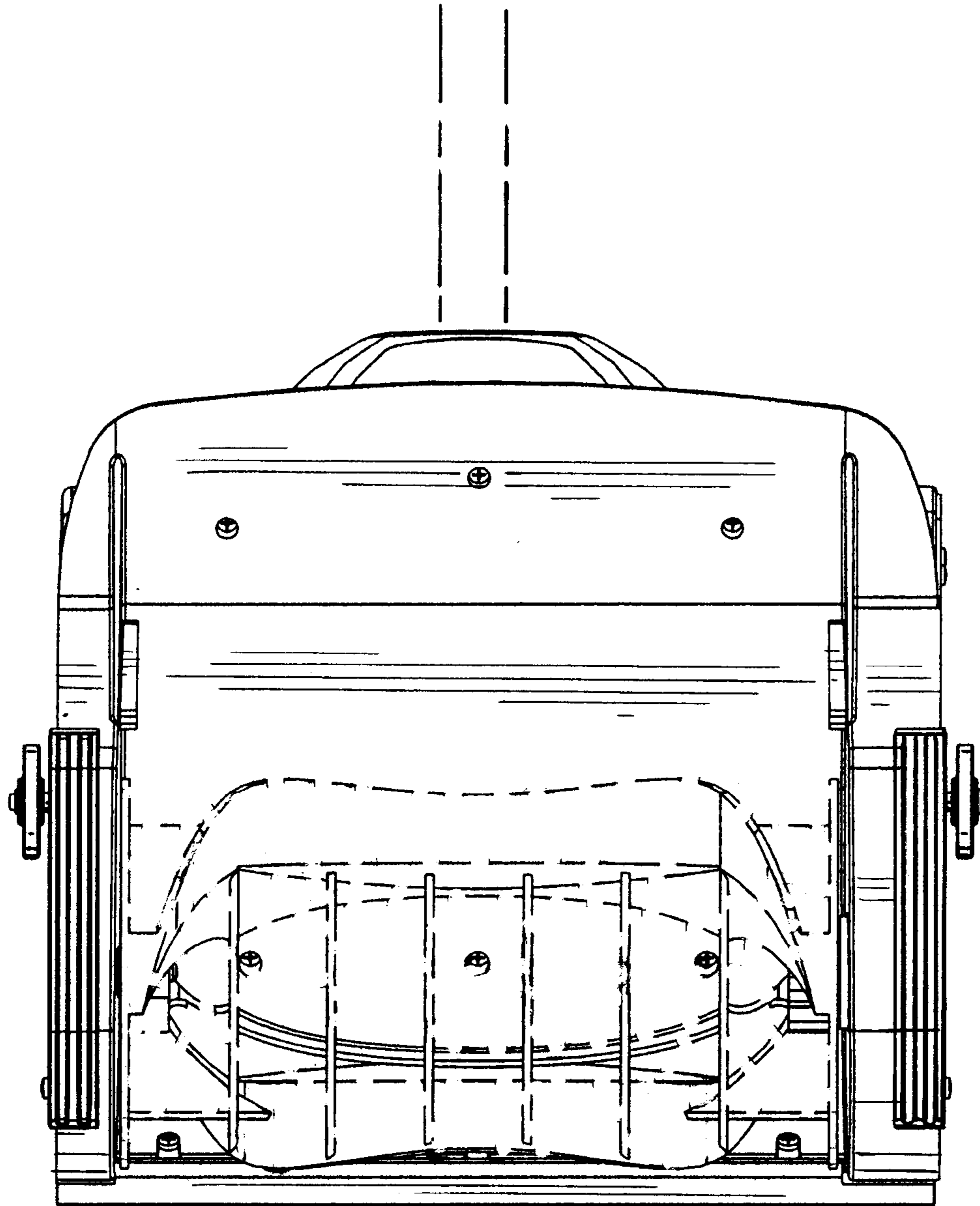
## U.S. PATENT DOCUMENTS

D450,226 S	11/2001	Martin	6,581,246 B1	6/2003	Polette
6,327,781 B1	12/2001	Sinclair et al.	D479,676 S	9/2003	Van Wambeke et al.
D457,403 S	5/2002	Cooper	D479,677 S	9/2003	Van Wambeke et al.
6,439,088 B1	8/2002	Eytchison et al.	D479,962 S	9/2003	Van Wambeke et al.
6,516,598 B1	2/2003	Notaras et al.	6,643,958 B1	11/2003	Krejci
D473,114 S	4/2003	Van Wambeke et al.	6,643,959 B1	11/2003	Jolliff et al.
D473,115 S	4/2003	Van Wambeke et al.	D483,236 S	12/2003	Martin et al.

\* cited by examiner

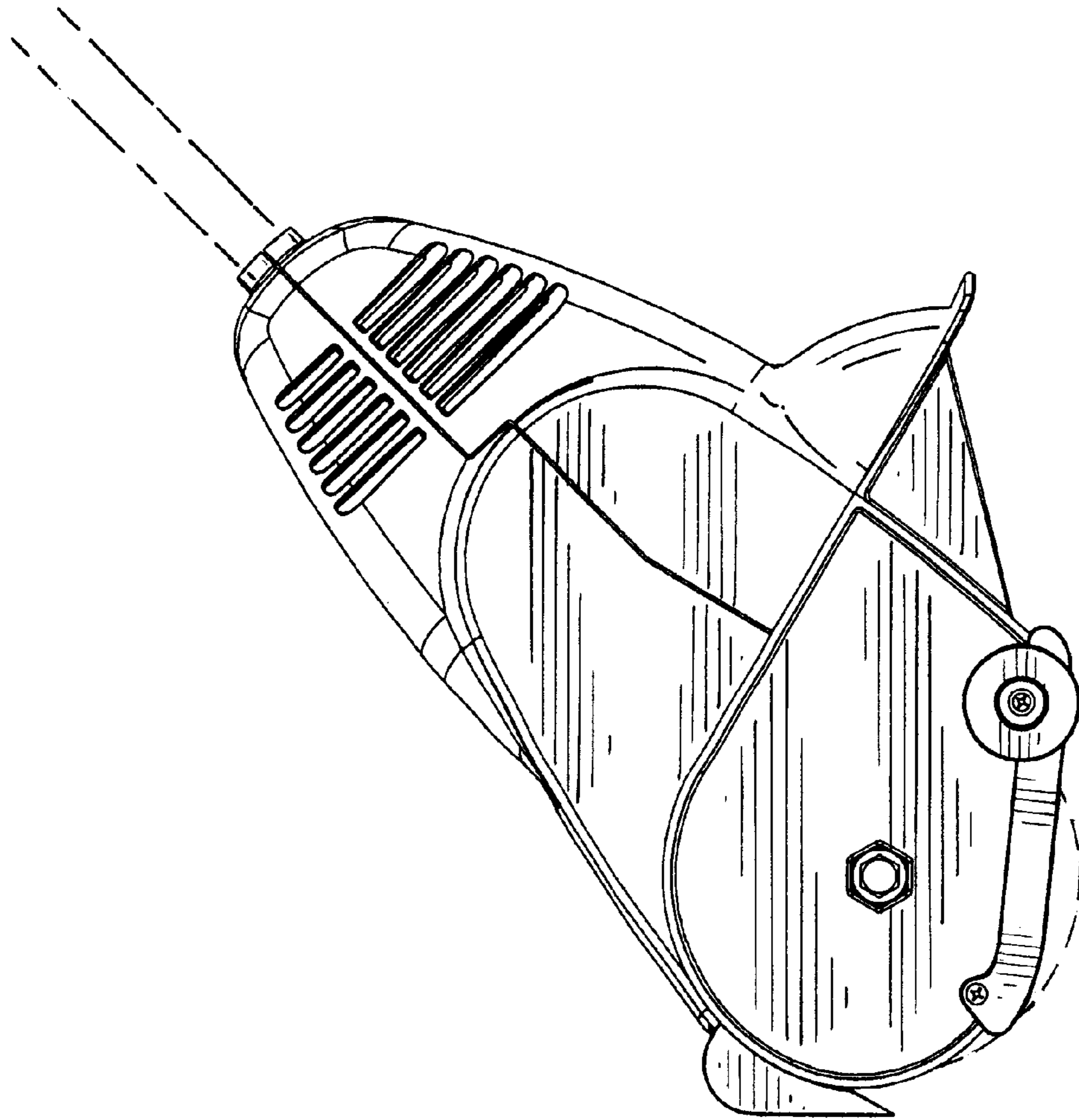


*FIG. 1*

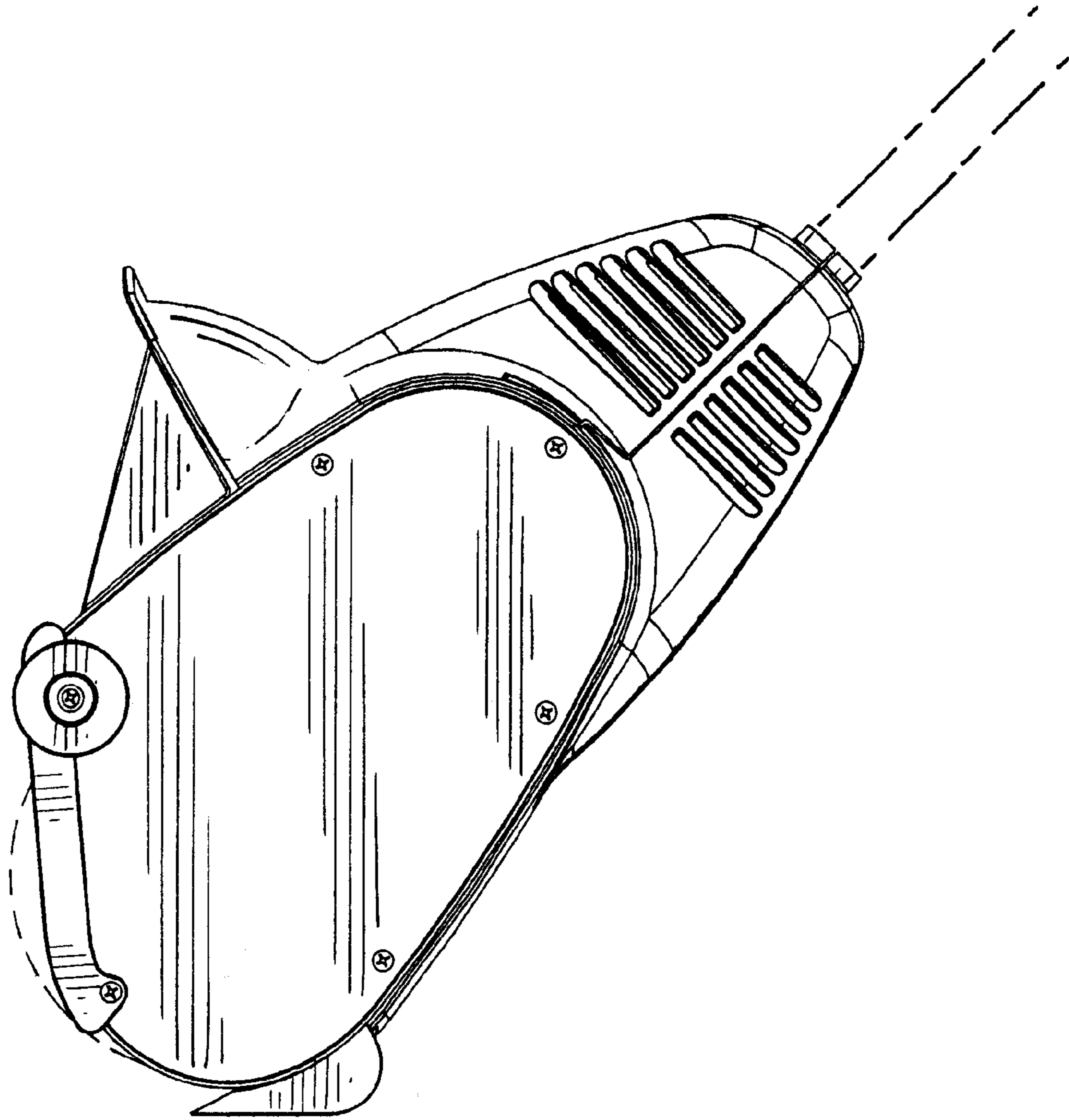


*FIG. 2*

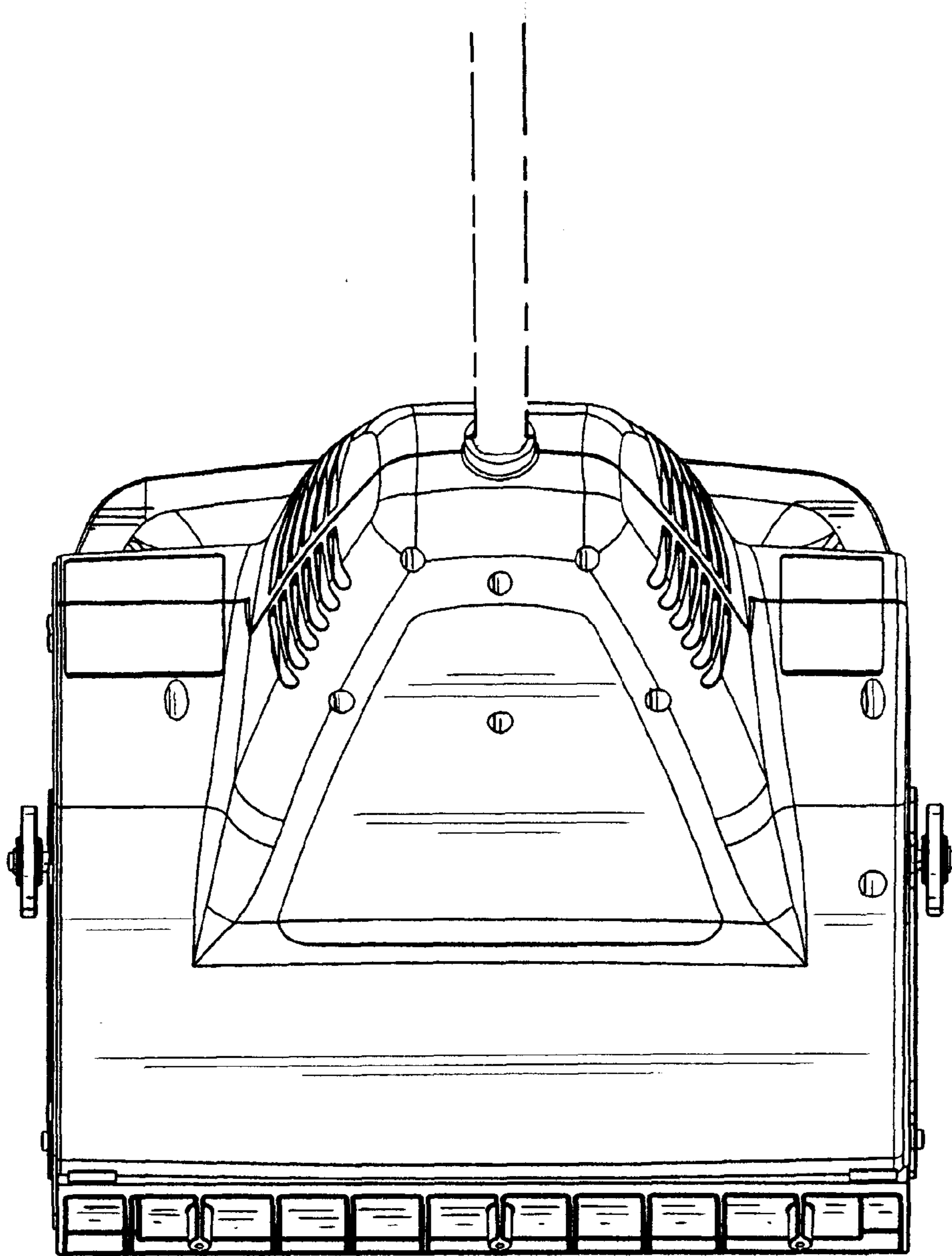




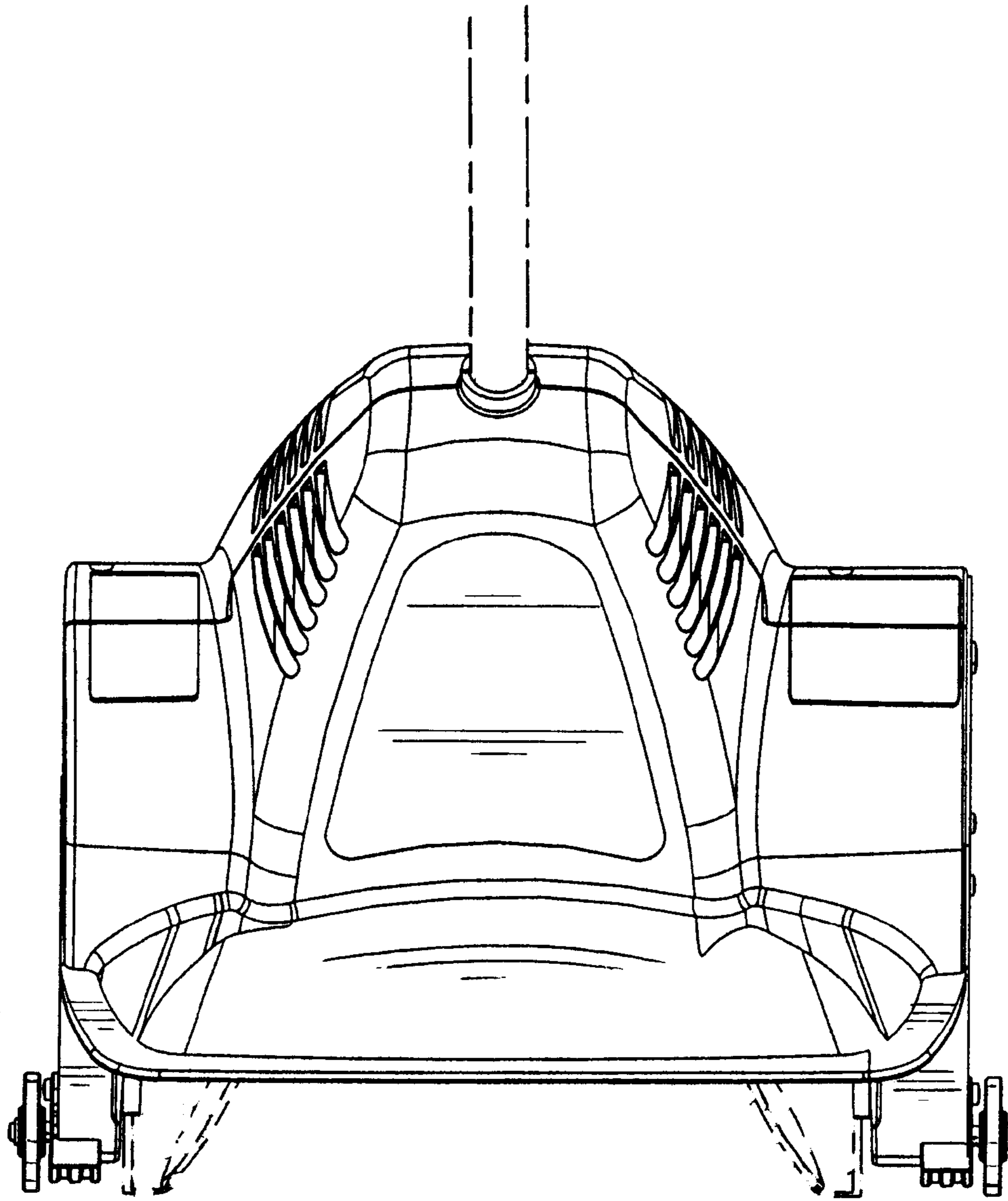
*FIG. 3*



*FIG. 4*

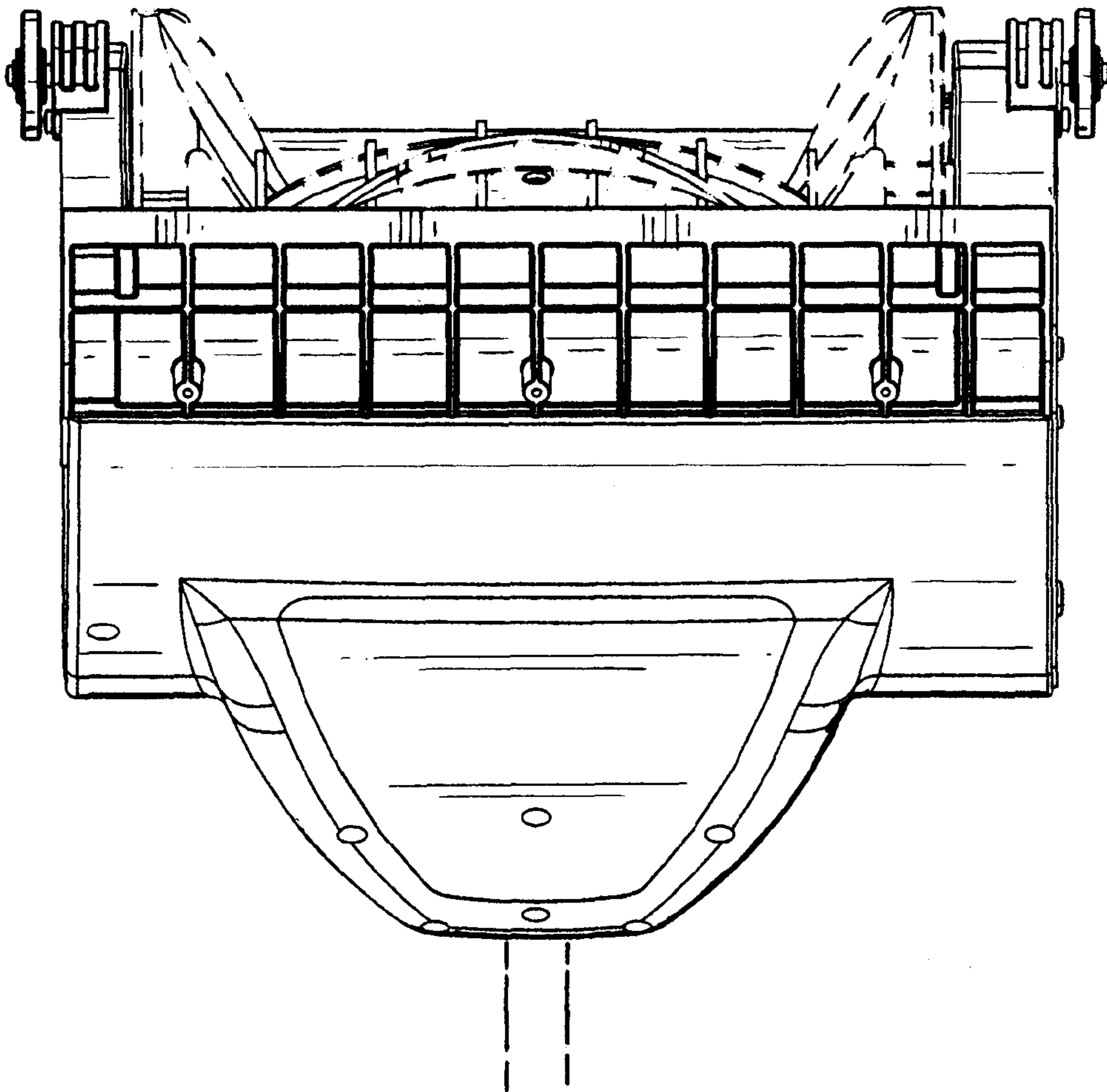


*FIG. 5*



*FIG. 6*





*FIG. 7*