



US00D519126S

(12) **United States Design Patent**
Leasure et al.

(10) **Patent No.:** **US D519,126 S**

(45) **Date of Patent:** **** Apr. 18, 2006**

(54) **AIR COMPRESSOR ASSEMBLY**

D447,151 S * 8/2001 Matthew et al. D15/9
D498,244 S * 11/2004 Chen D15/7

(75) Inventors: **Jeremy D. Leasure**, Jackson, TN (US);
Timothy C. Smith, Jackson, TN (US)

* cited by examiner

(73) Assignee: **Black & Decker Inc.**, Newark, DE
(US)

Primary Examiner—Ralf Seifert
(74) *Attorney, Agent, or Firm*—Suiter West Swantz PC
LLO

(**) Term: **14 Years**

(57) **CLAIM**

(21) Appl. No.: **29/214,647**

We claim the ornamental design for a air compressor assembly, as shown.

(22) Filed: **Oct. 6, 2004**

DESCRIPTION

(51) **LOC (8) Cl.** **15-02**

(52) **U.S. Cl.** **D15/9**

(58) **Field of Classification Search** D15/7-9;
D23/231, 232; 417/410.1, 359, 415-416,
417/234, 229, 321, 265, 405

See application file for complete search history.

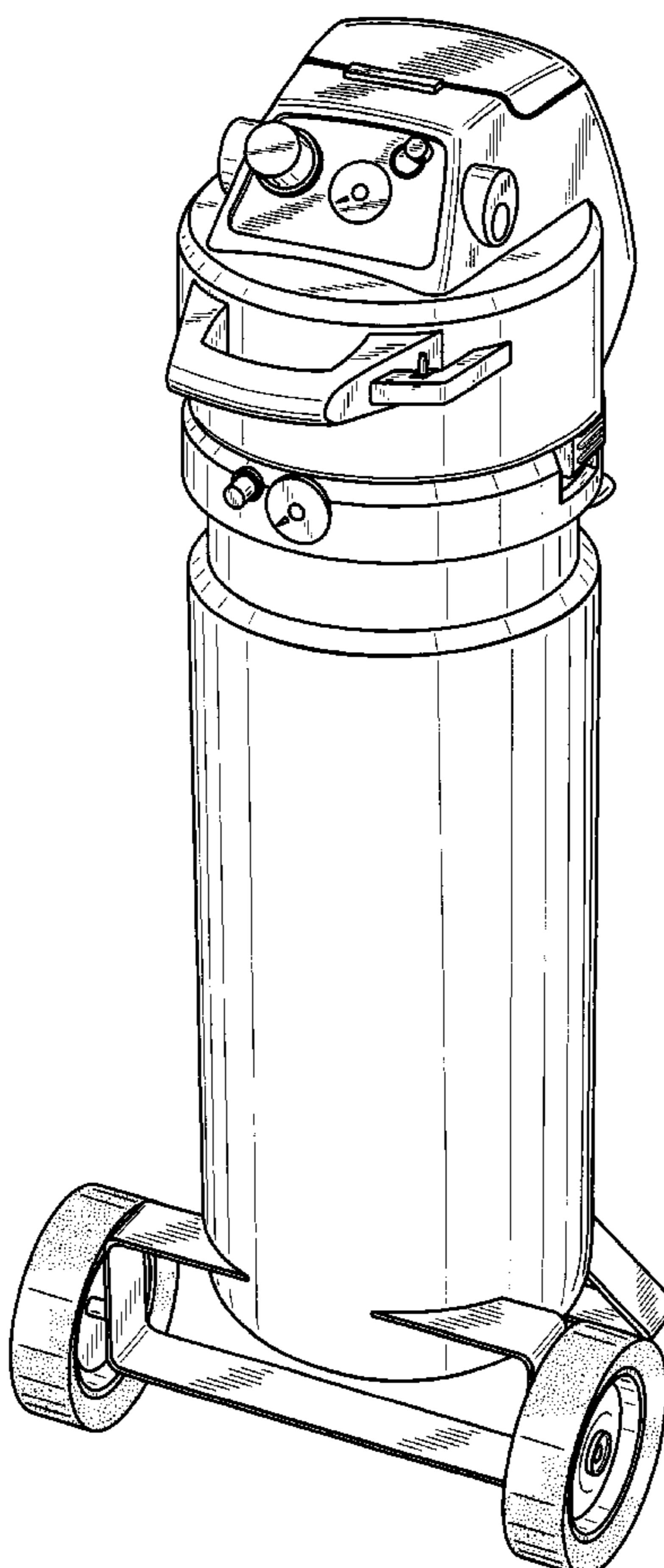
FIG. 1 is an isometric view showing my new design, with environment shown;
FIG. 2 is an isometric view thereof;
FIG. 3 is a front elevation view thereof;
FIG. 4 is a left side elevation view thereof;
FIG. 5 is a right side elevation view thereof;
FIG. 6 is a rear elevation view thereof;
FIG. 7 is a top plan view thereof;
FIG. 8 is a bottom plan view thereof;
FIG. 9 is an isometric view thereof, with air compressor shown separated from tank; and,
FIG. 10 is an isometric view thereof with environment shown, and with air compressor shown separated from tank.

(56) **References Cited**

U.S. PATENT DOCUMENTS

2,384,174	A	*	9/1945	Jones	222/3
D185,000	S	*	4/1959	Hoover	D15/9
D223,039	S	*	2/1972	Widmer	D15/7
D273,493	S	*	4/1984	Vitaloni	D15/9
D423,518	S	*	4/2000	Milligan et al.	D15/9
D446,792	S	*	8/2001	Matthew et al.	D15/9

1 Claim, 9 Drawing Sheets



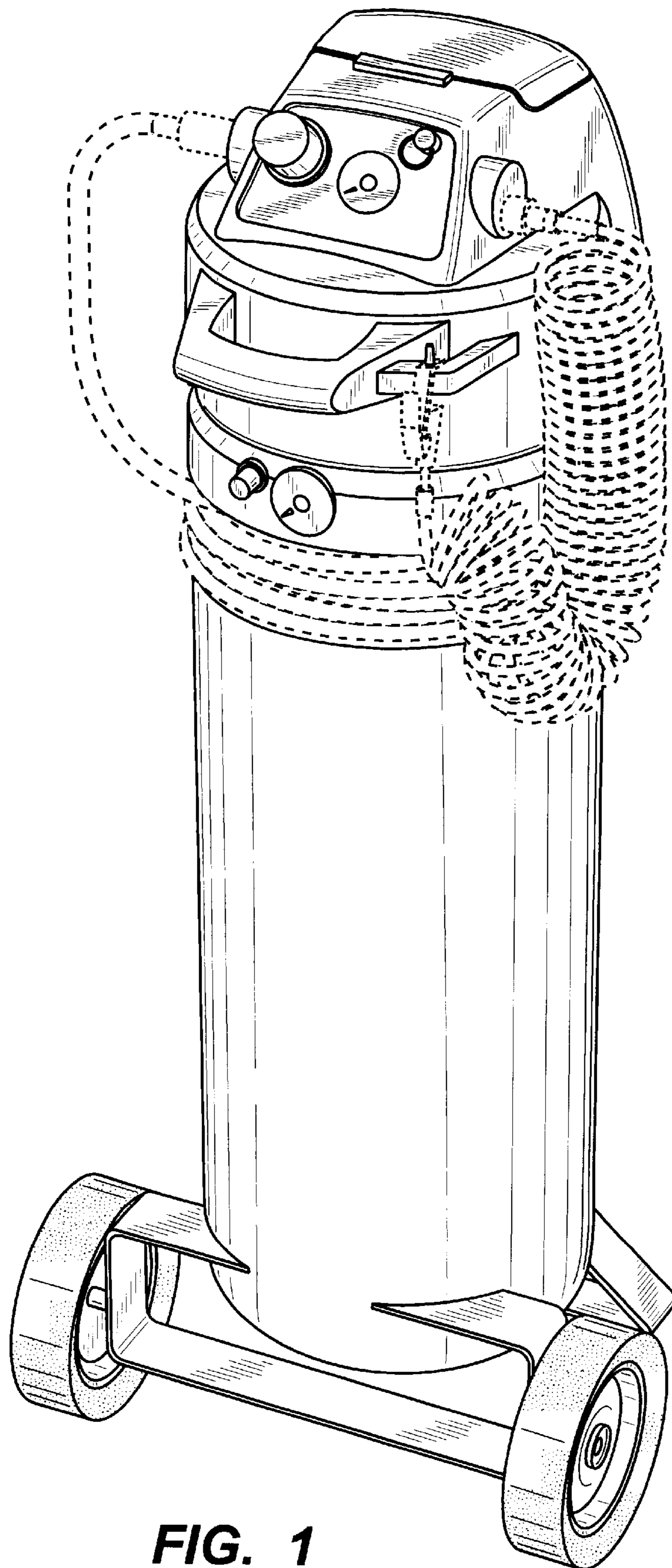


FIG. 1

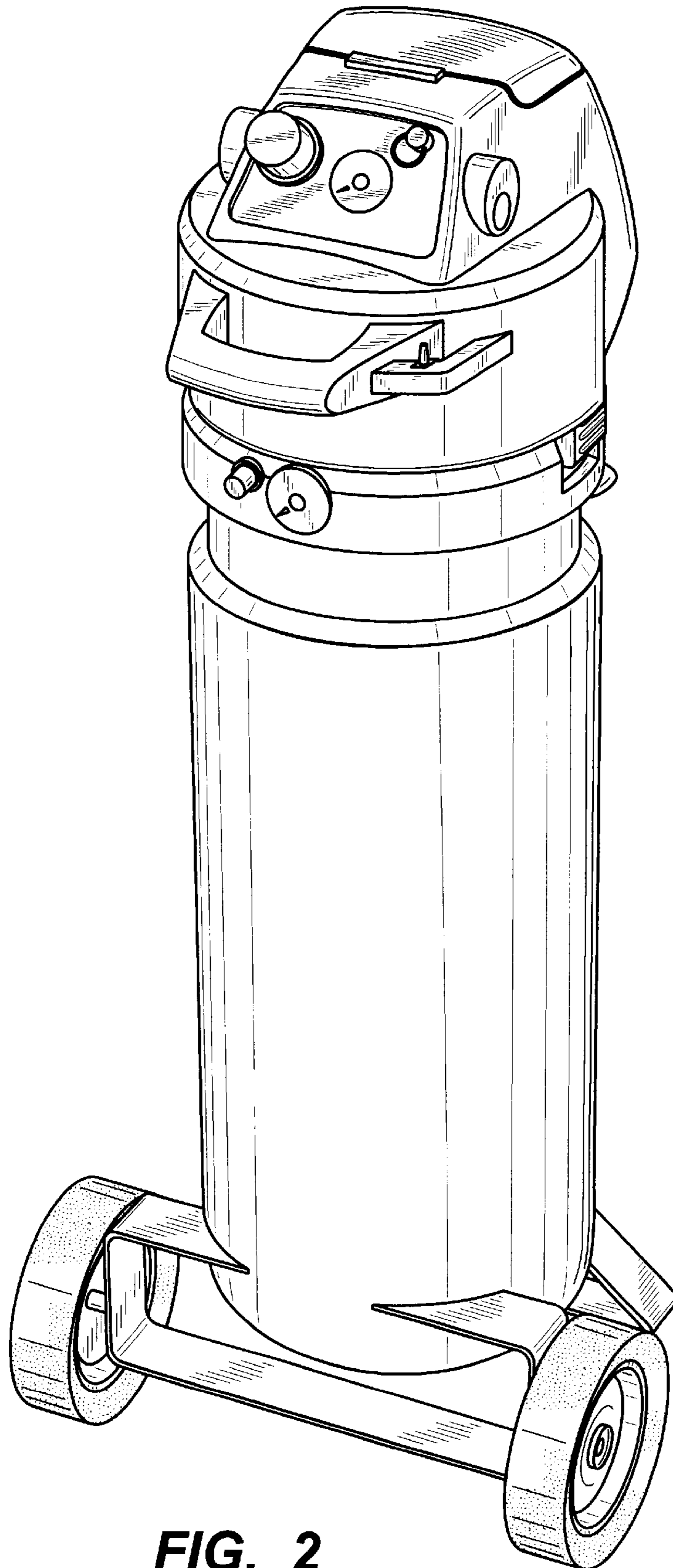


FIG. 2

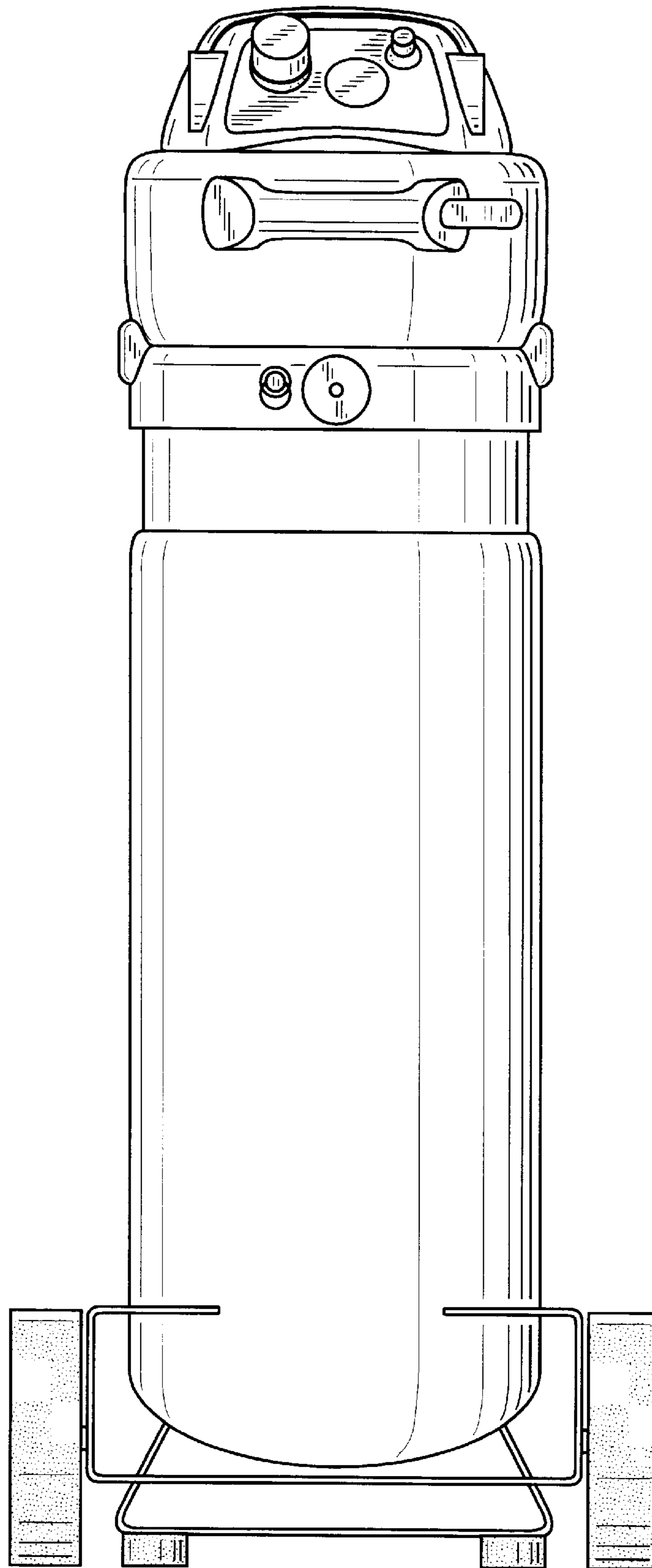


FIG. 3

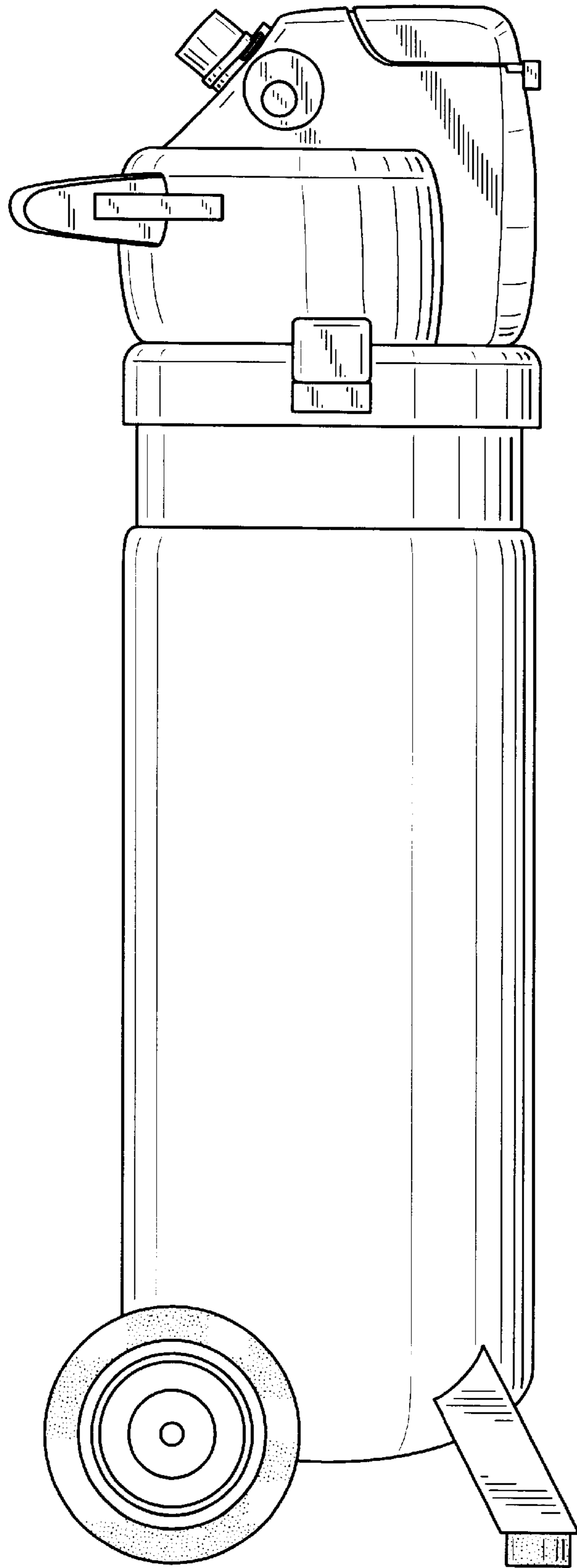


FIG. 4

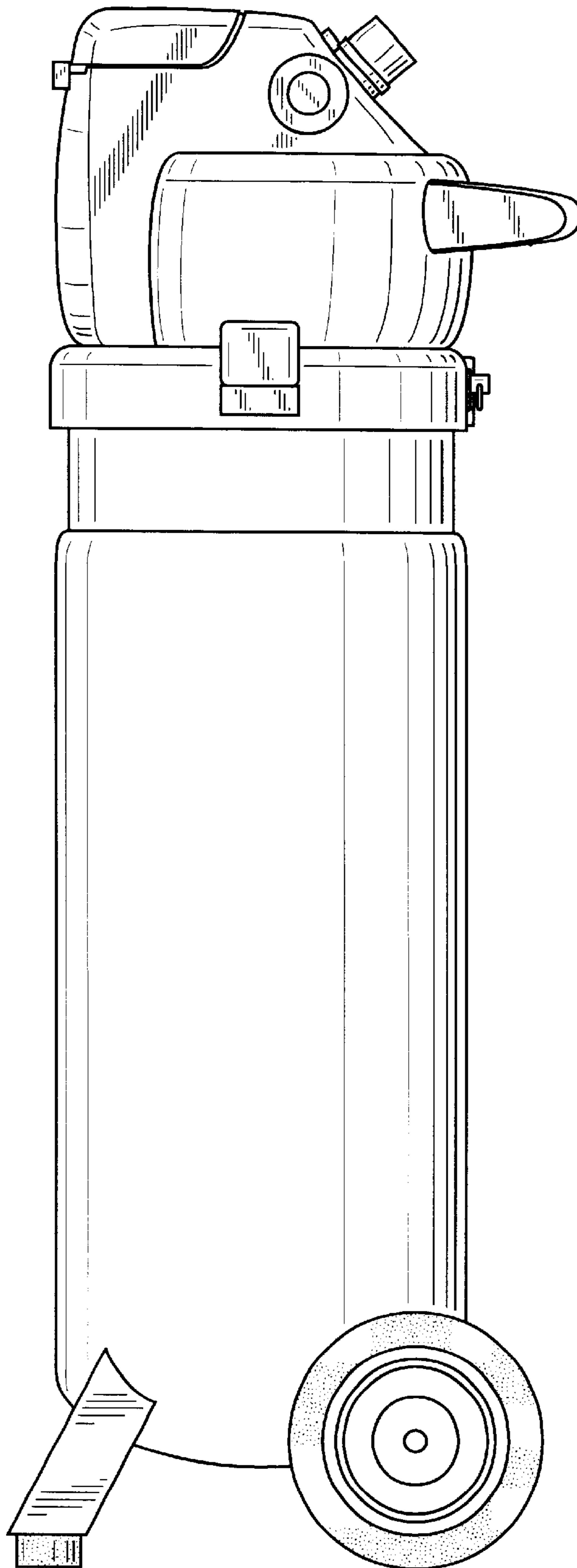


FIG. 5

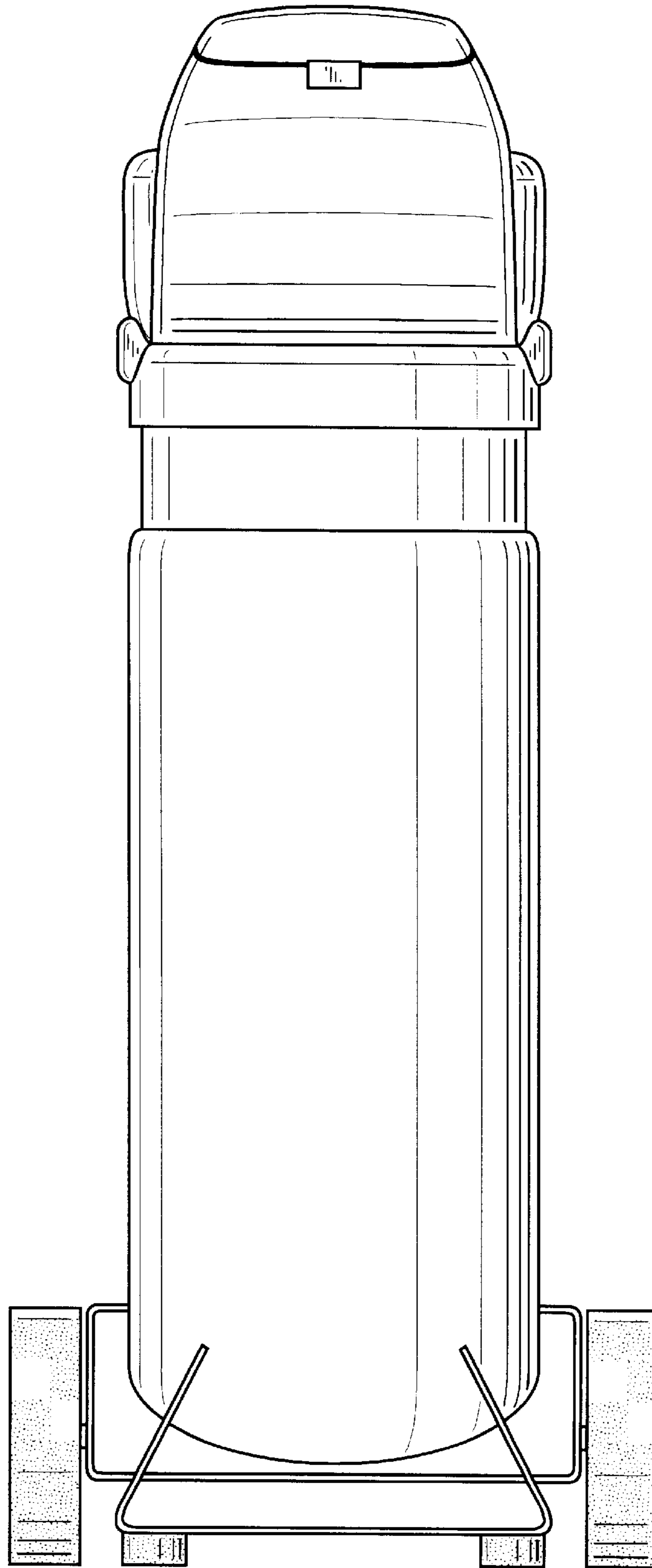


FIG. 6

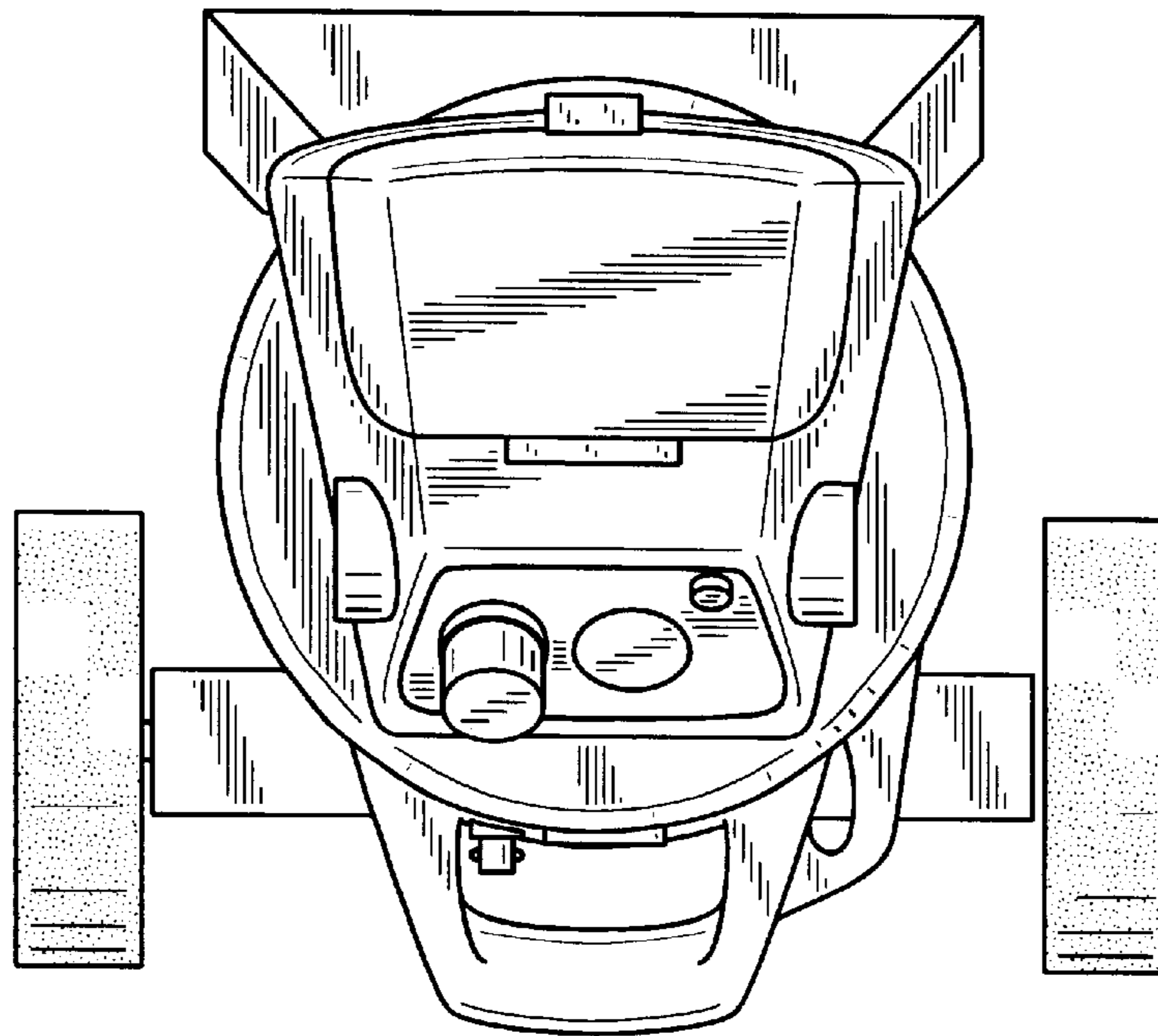


FIG. 7

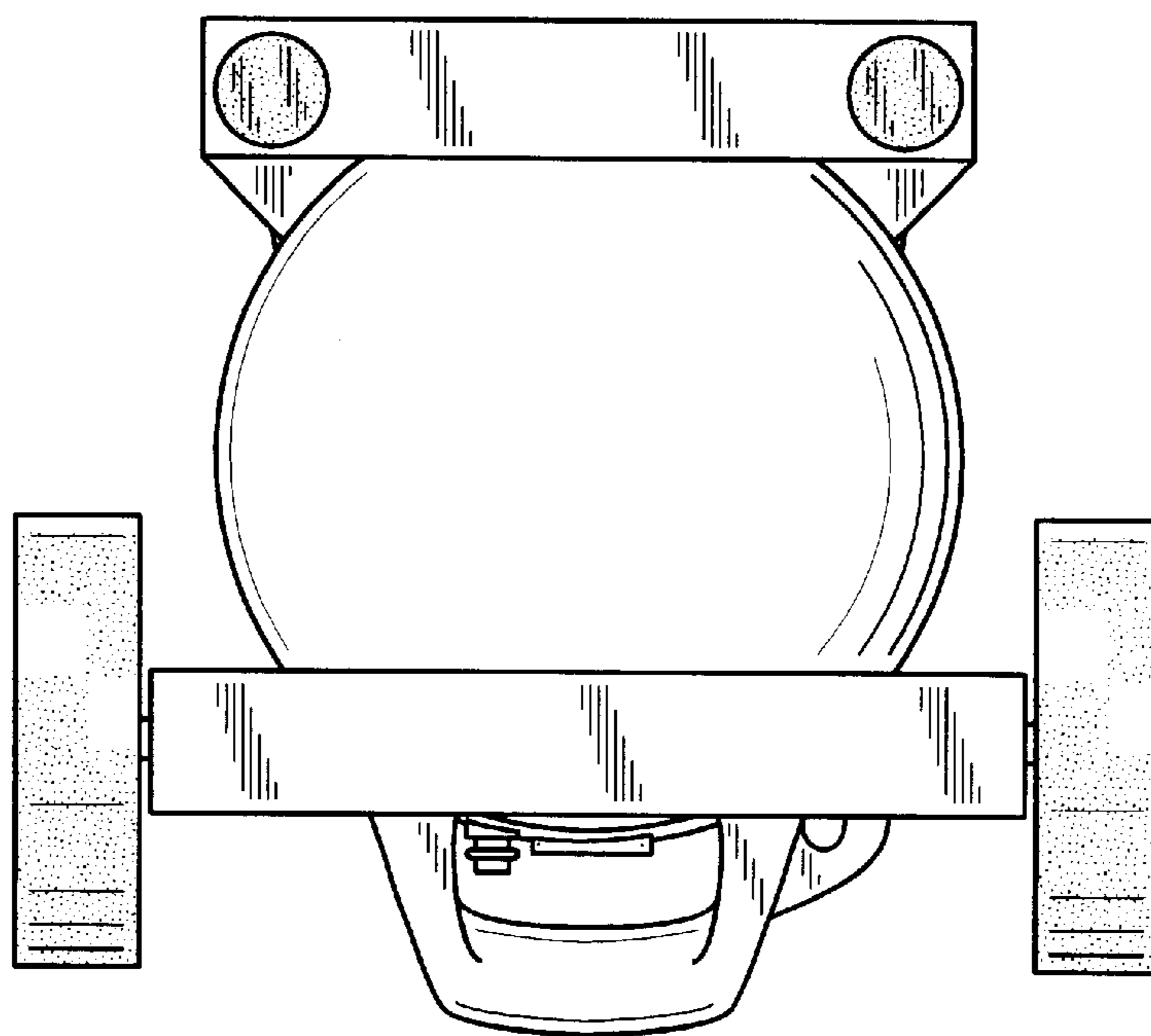


FIG. 8

