



US00D519124S

(12) **United States Design Patent**
Hudnall et al.

(10) **Patent No.:** **US D519,124 S**
(45) **Date of Patent:** **** Apr. 18, 2006**

(54) **AUTOMOBILE STARTER ADAPTOR BLOCK**

(75) Inventors: **Coy Hudnall**, Knoxville, TN (US);
Kevin Bennett, Corryton, TN (US)

(73) Assignee: **Key Components, Inc.**, Knoxville, TN (US)

(**) Term: **14 Years**

(21) Appl. No.: **29/203,175**

(22) Filed: **Apr. 12, 2004**

(51) **LOC (8) Cl.** **15-01**

(52) **U.S. Cl.** **D15/5**

(58) **Field of Classification Search** D15/1-5;
210/695, 222, 541, 232; 74/6, 7 E, 325, 606 R;
29/401.1; 123/195 A

See application file for complete search history.

(56) **References Cited**

U.S. PATENT DOCUMENTS

RE35,425 E * 1/1997 Isom et al. 210/695

* cited by examiner

Primary Examiner—Caron D. Veynar

Assistant Examiner—Maurice Stevens

(74) *Attorney, Agent, or Firm*—William M. Hobby, III

(57) **CLAIM**

The ornamental design for an automobile starter adaptor block, as shown.

DESCRIPTION

FIG. 1 is a front, left side perspective view of our new automobile starter adaptor block;

FIG. 2 is a rear right side perspective view;

FIG. 3 is a front elevation;

FIG. 4 is a rear elevation;

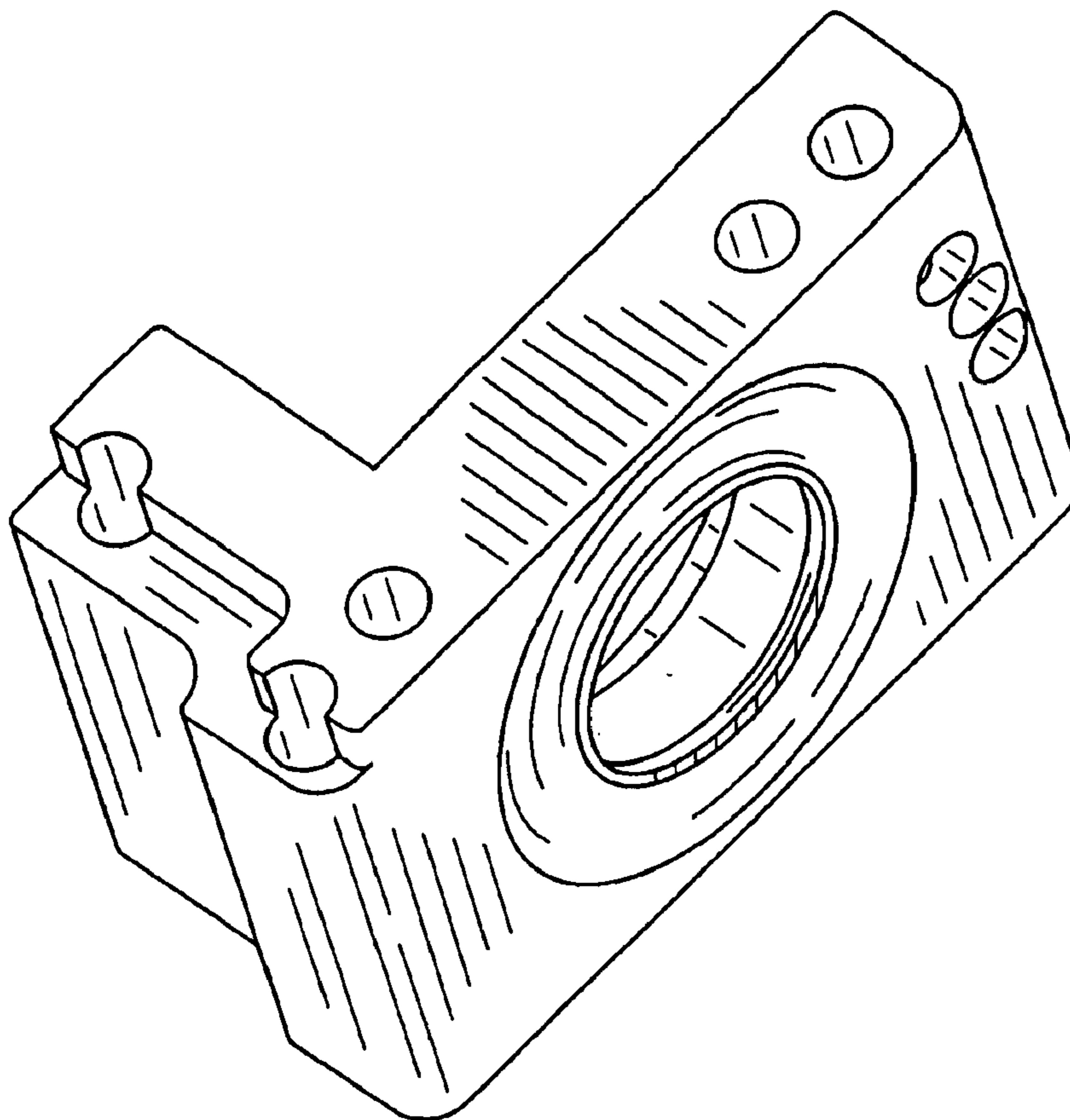
FIG. 5 is a top plan view;

FIG. 6 is a bottom plan view;

FIG. 7 is a left side elevation; and,

FIG. 8 is a right side elevation.

1 Claim, 3 Drawing Sheets



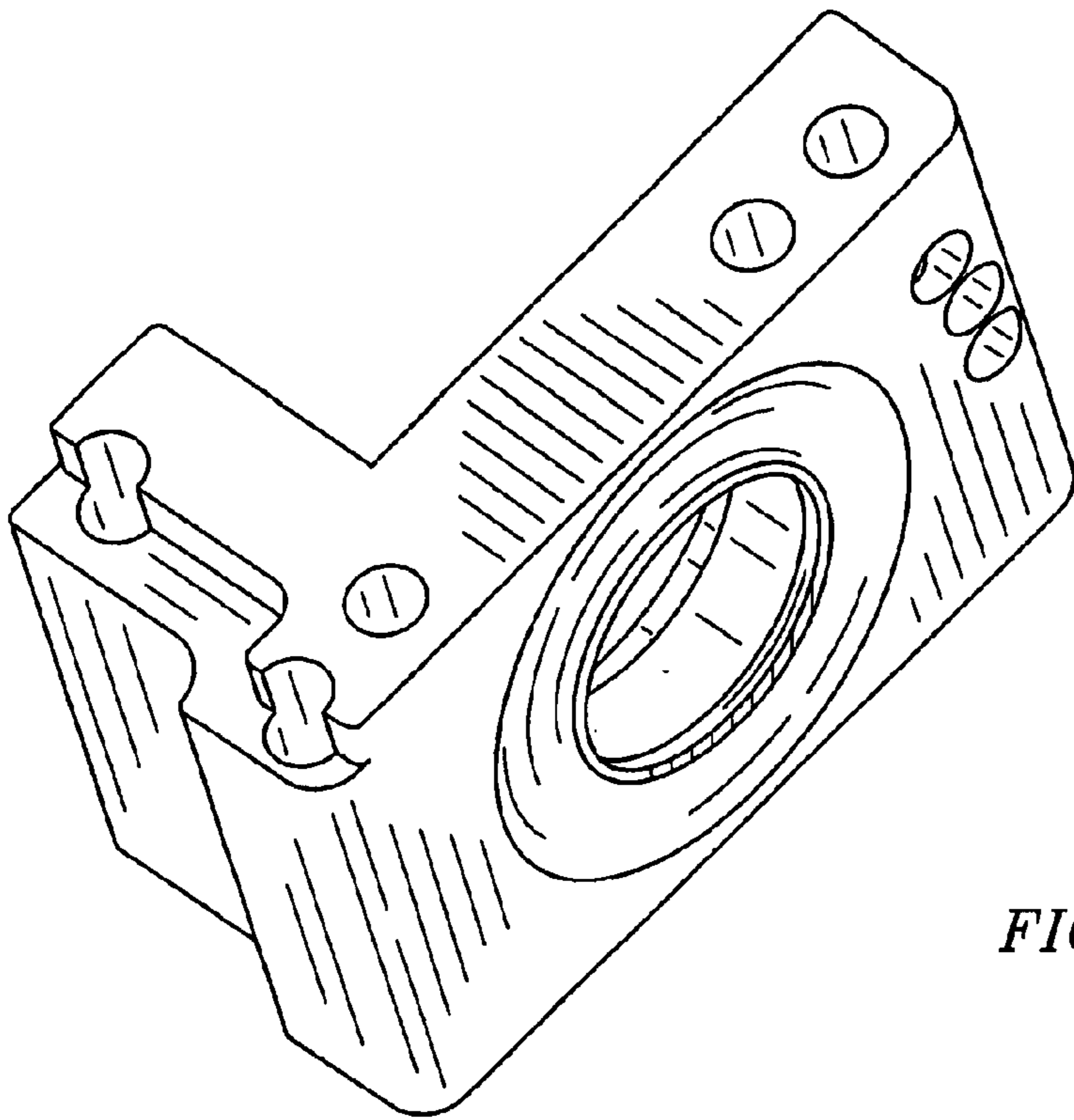


FIG. 1

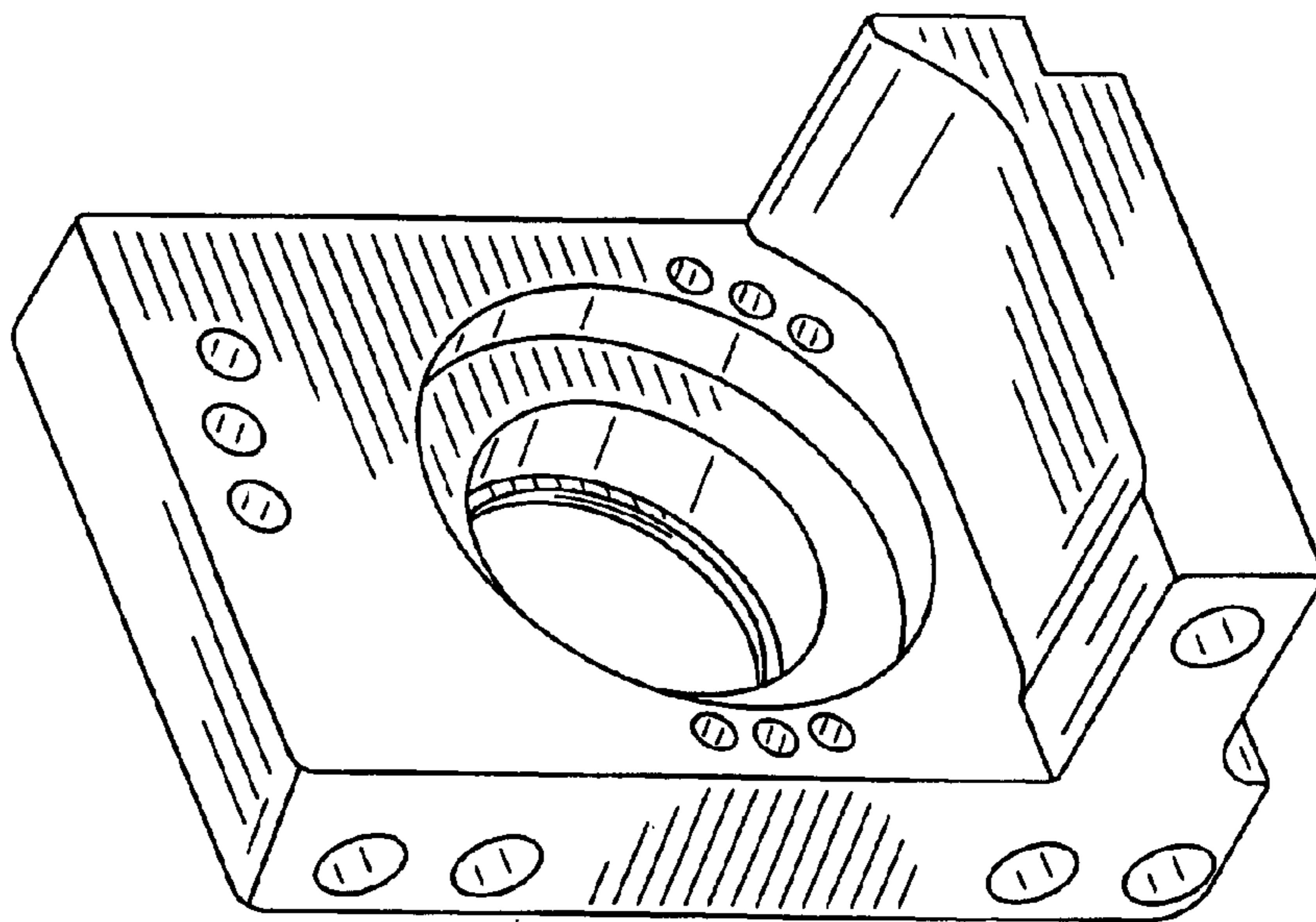


FIG. 2

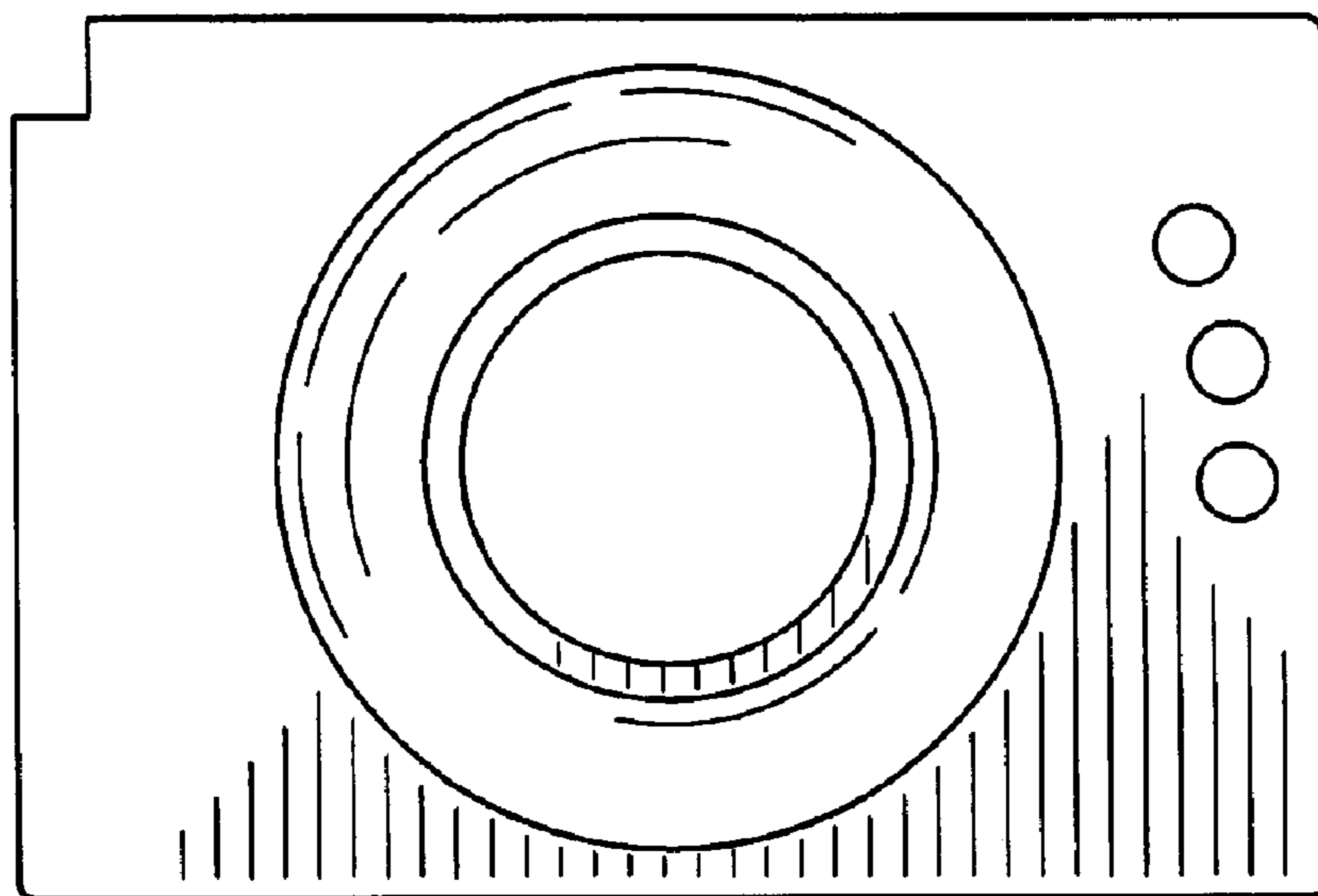


FIG. 3

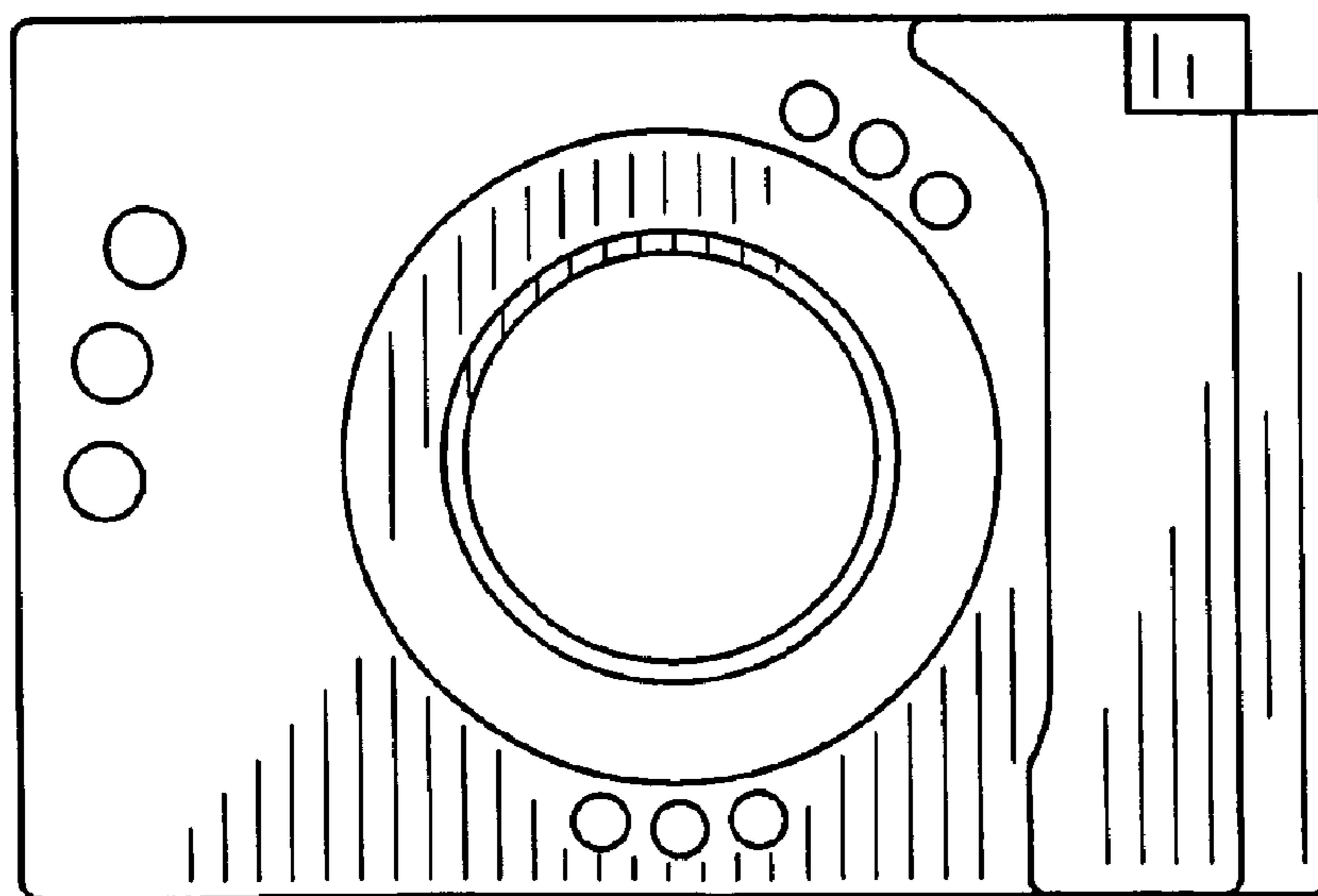


FIG. 4

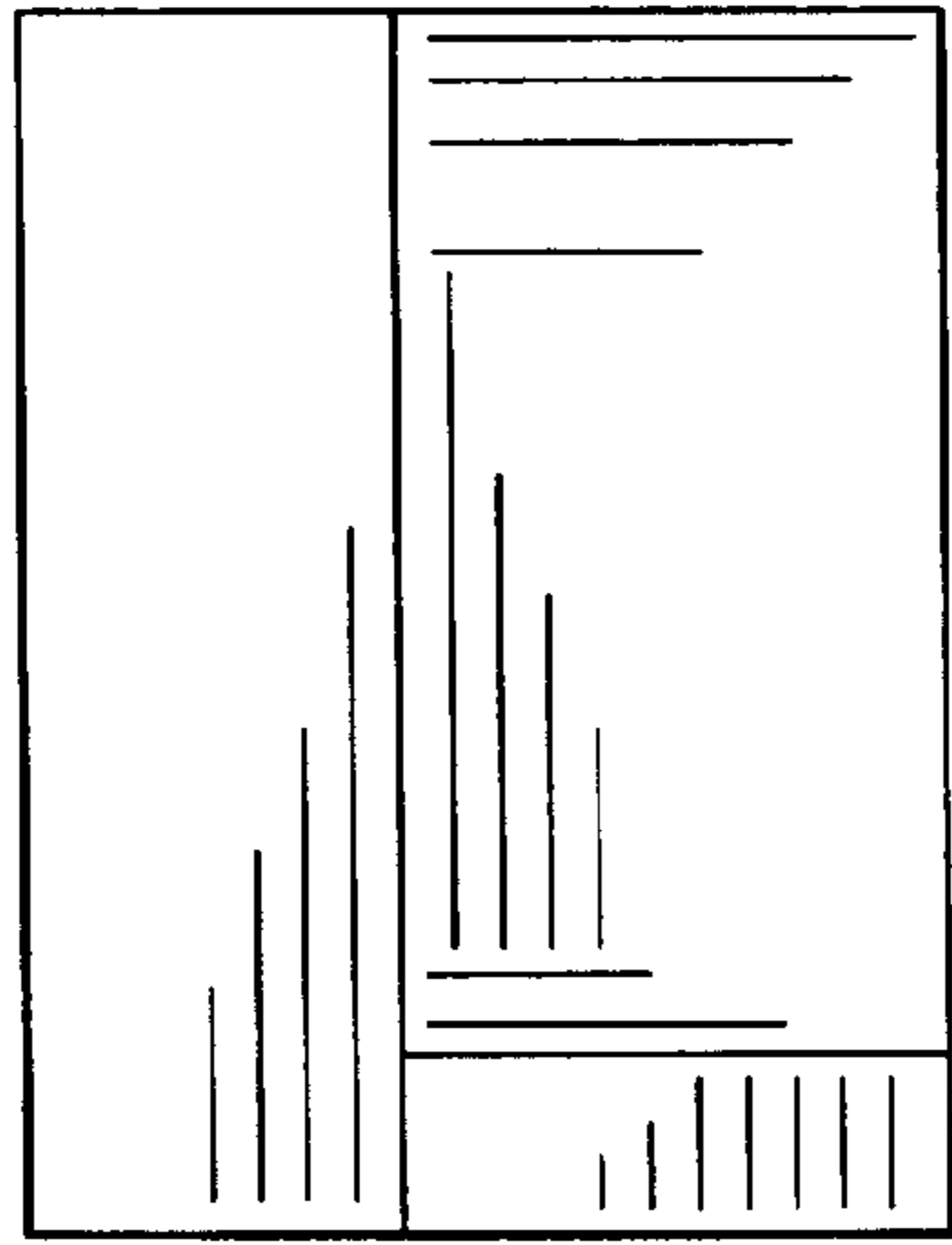


FIG. 5

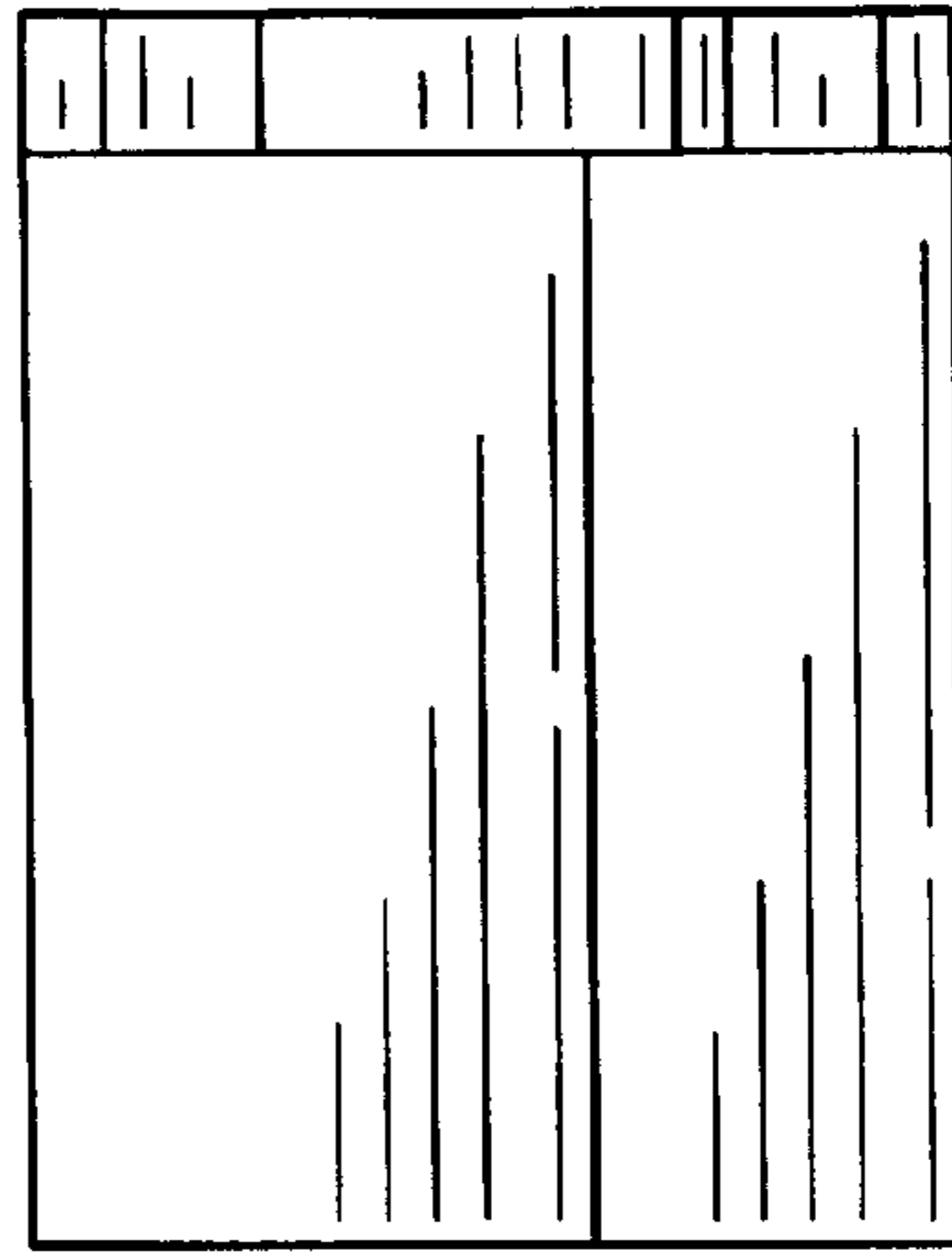


FIG. 6

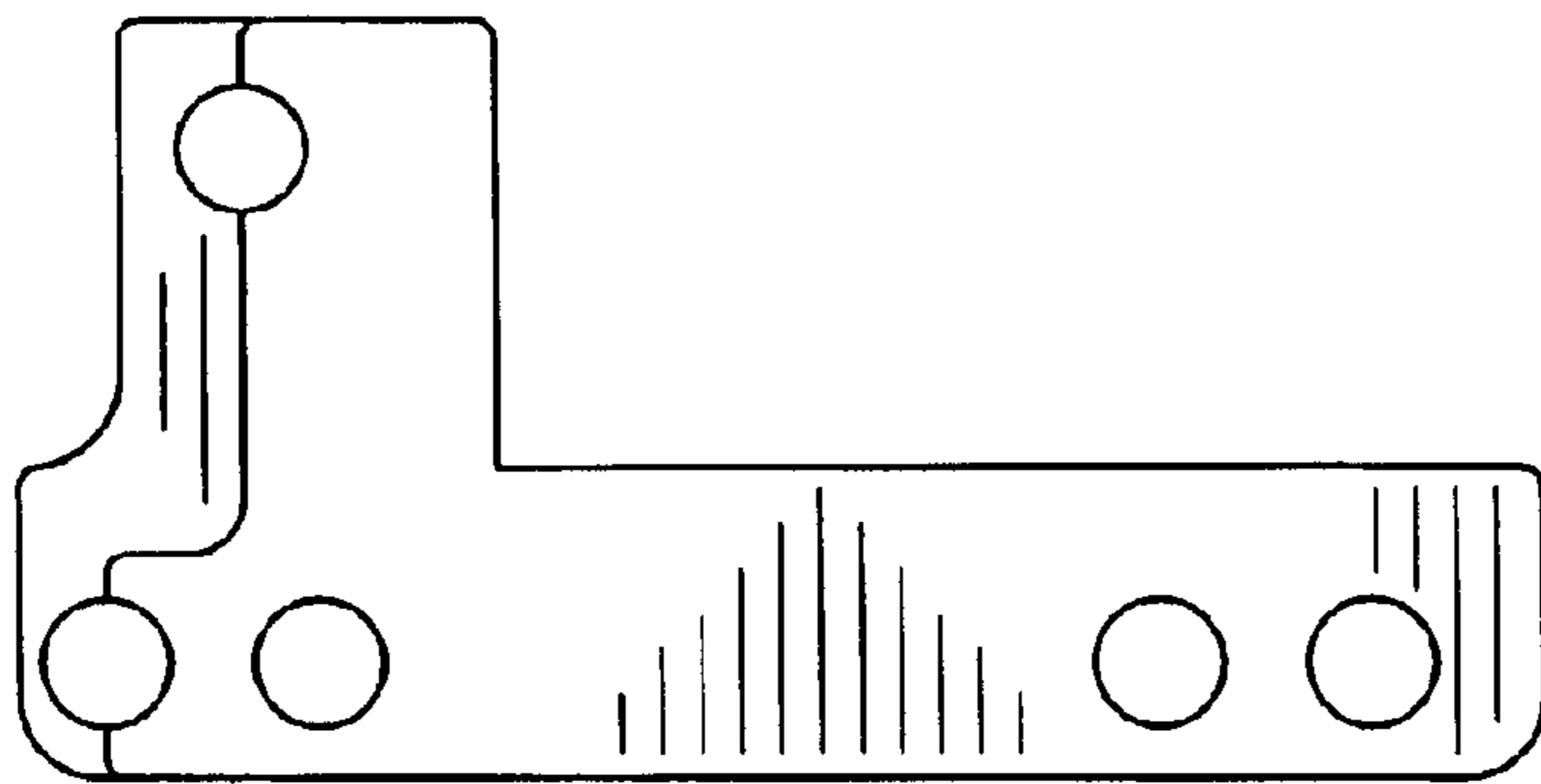


FIG. 7

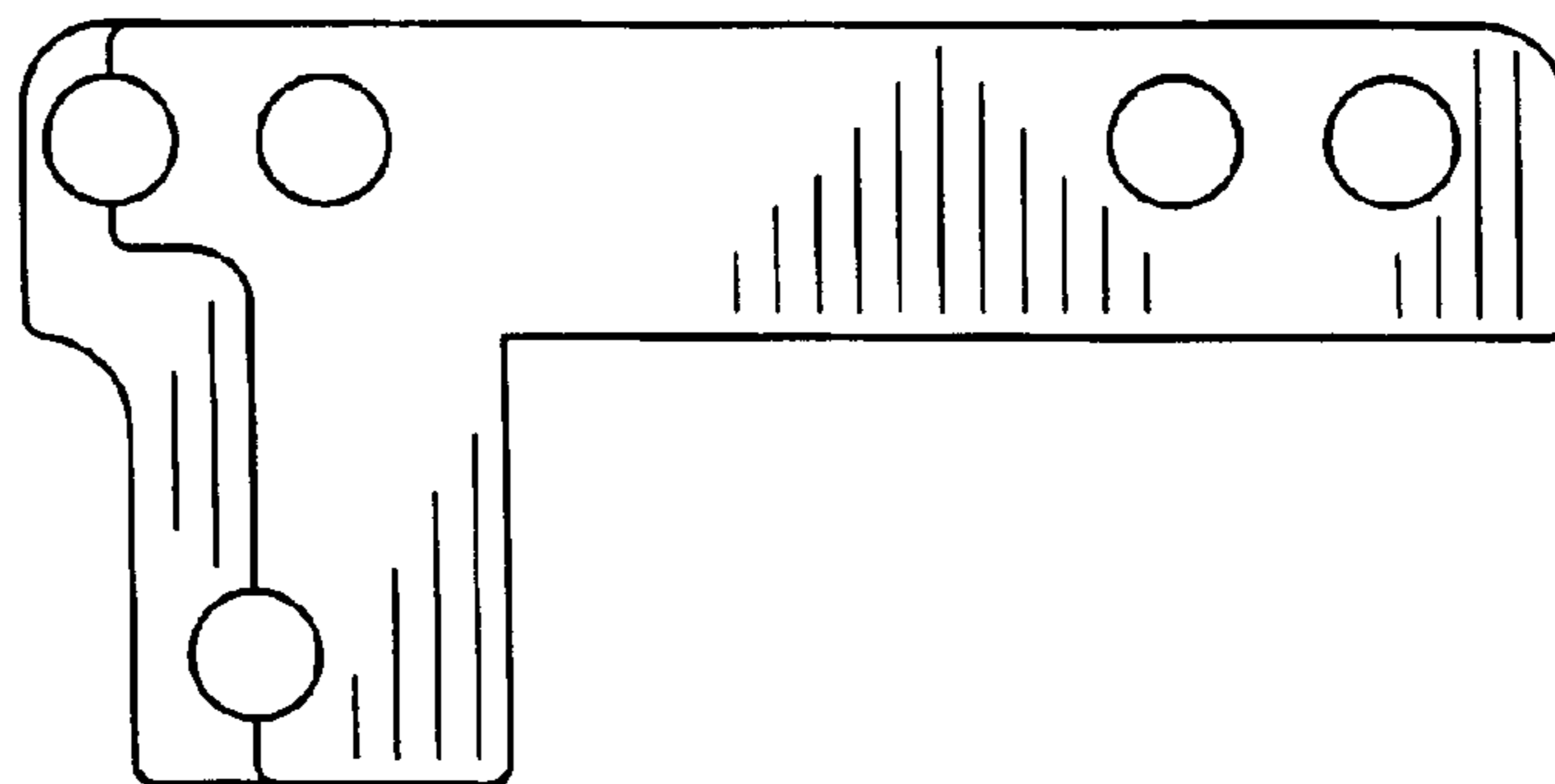


FIG. 8