



US00D519121S

(12) **United States Design Patent**
Zamanian

(10) **Patent No.:** **US D519,121 S**

(45) **Date of Patent:** **** Apr. 18, 2006**

(54) **COMPUTER SUPPORT DEVICE**

(75) Inventor: **Hossein Zamanian**, Dallas County, TX
(US)

(73) Assignee: **PC-Skate Inc.**, Dallas, TX (US)

(**) Term: **14 Years**

(21) Appl. No.: **29/221,928**

(22) Filed: **Jan. 24, 2005**

(51) **LOC (8) Cl.** **08-07**

(52) **U.S. Cl.** **D14/447; D6/449**

(58) **Field of Classification Search** D6/406.6,
D6/406.3, 449, 511; D14/451, 447; D34/23,
D34/17, 12, 28, 38; 280/32.5–32.6, 79.11;
248/346.01, 346.02; 336/65; 108/56.1, 901,
108/57.28, 57.31

See application file for complete search history.

(56) **References Cited**

U.S. PATENT DOCUMENTS

D173,318 S * 10/1954 Levenhagen D7/554.3
3,598,164 A * 8/1971 August 269/13
D274,730 S * 7/1984 Hovey et al. D14/451
D282,043 S * 1/1986 Morin D7/552.2
D334,304 S * 3/1993 Gilman D6/449

D338,882 S * 8/1993 Reiter D14/447
D376,787 S * 12/1996 Calfee D14/451
5,685,441 A * 11/1997 Calfee 211/194
D390,314 S * 2/1998 Chen D34/23
D401,724 S * 11/1998 Whiteside et al. D34/23
D468,747 S * 1/2003 Kwon D14/451

* cited by examiner

Primary Examiner—Alan P. Douglas
Assistant Examiner—Susan Moon Lee

(57) **CLAIM**

I claim the ornamental design for an computer support device, substantially as shown and described.

DESCRIPTION

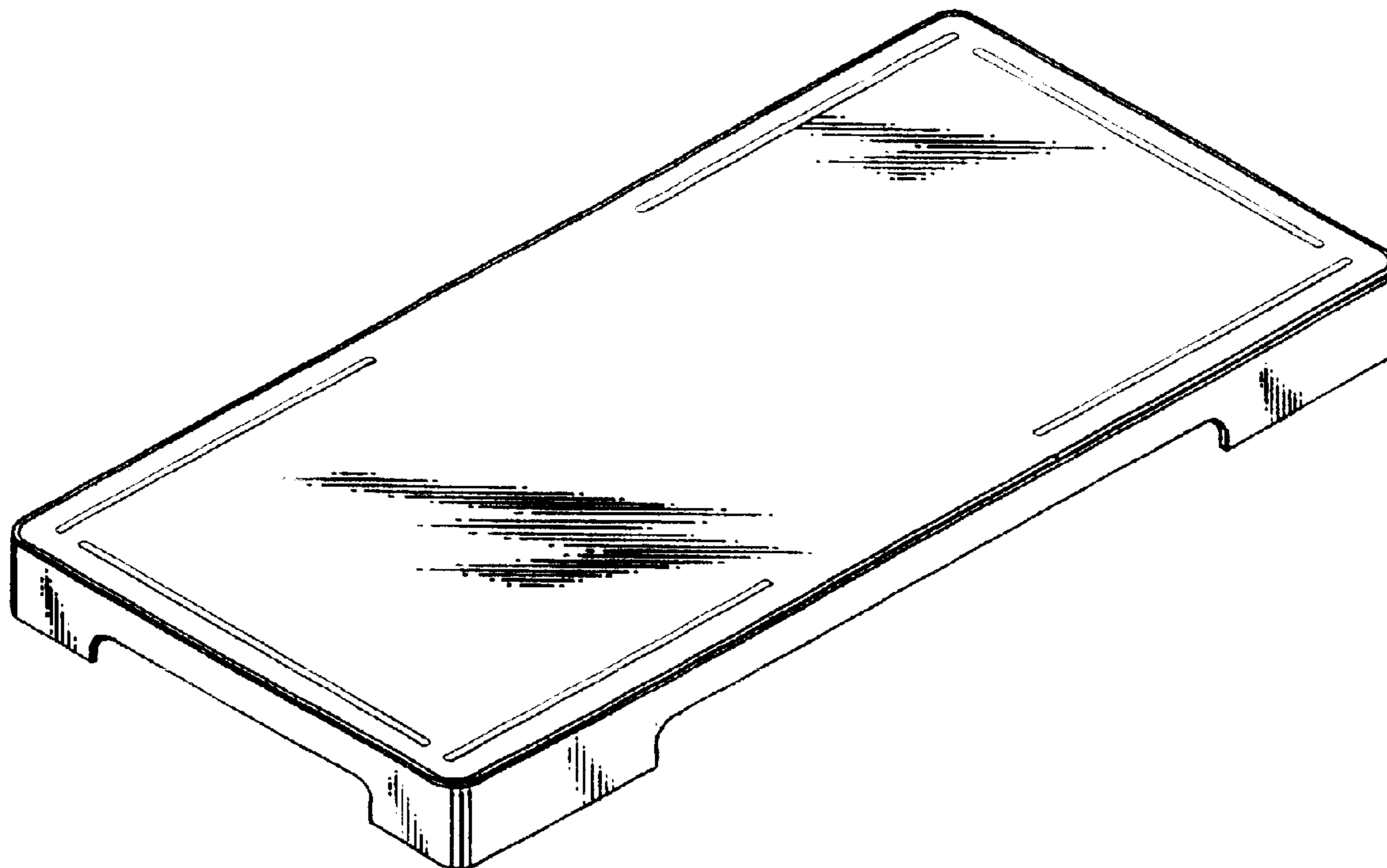
FIG. 1 is a top perspective view directed toward the front left of an computer support device;

FIG. 2 is a front elevational view of the computer support device shown in FIG. 1, the back elevational view being a mirror image of the front elevational view;

FIG. 3 is a bottom plan view of the computer support device shown in FIG. 1; and,

FIG. 4 is a left side elevational view of the computer support device shown in FIG. 1, the right side elevational view being a mirror image of the left side elevational view.

1 Claim, 2 Drawing Sheets



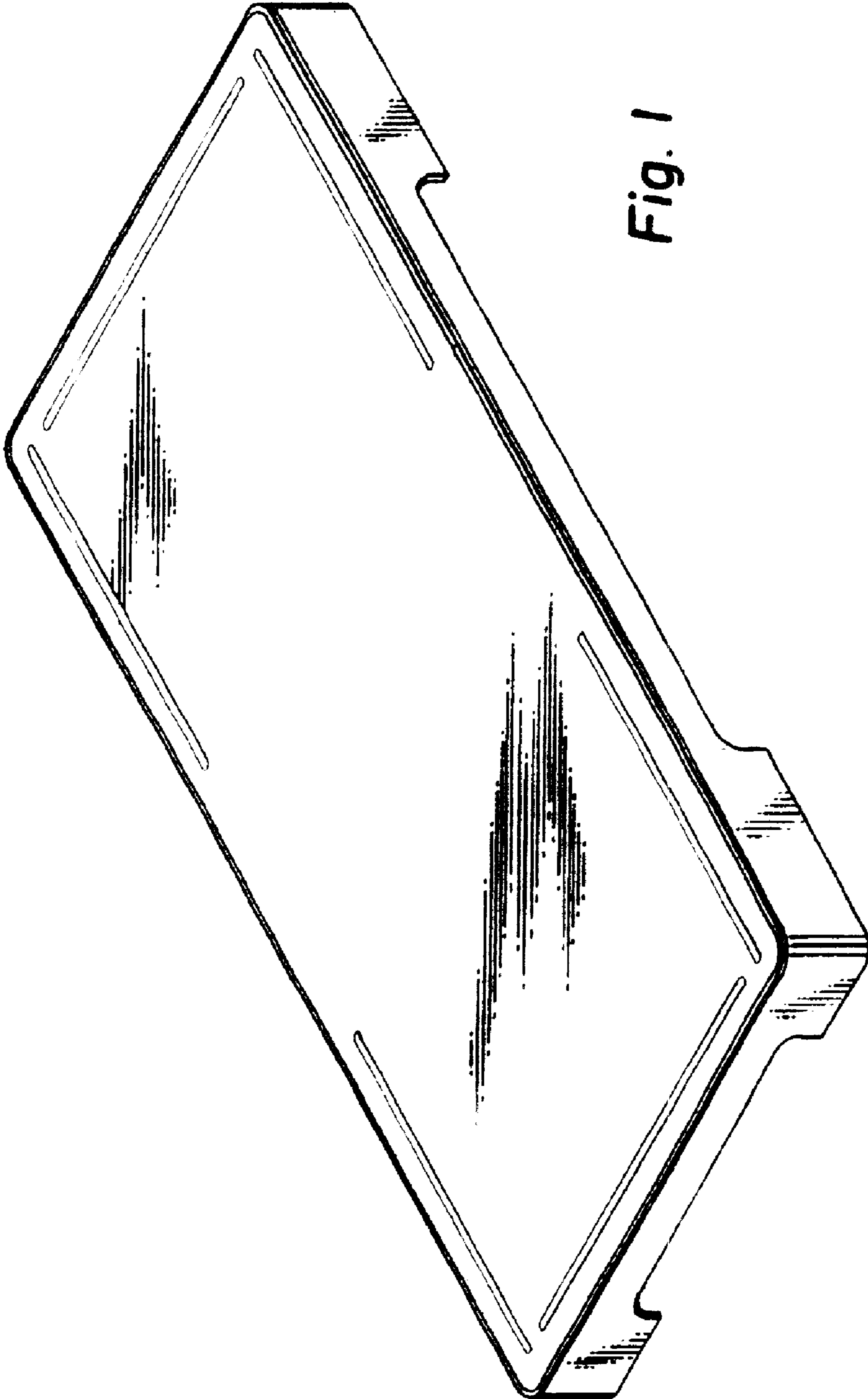


Fig. 1

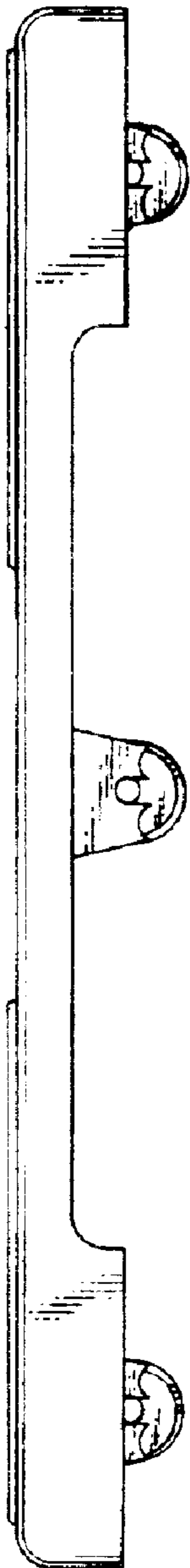


Fig. 2

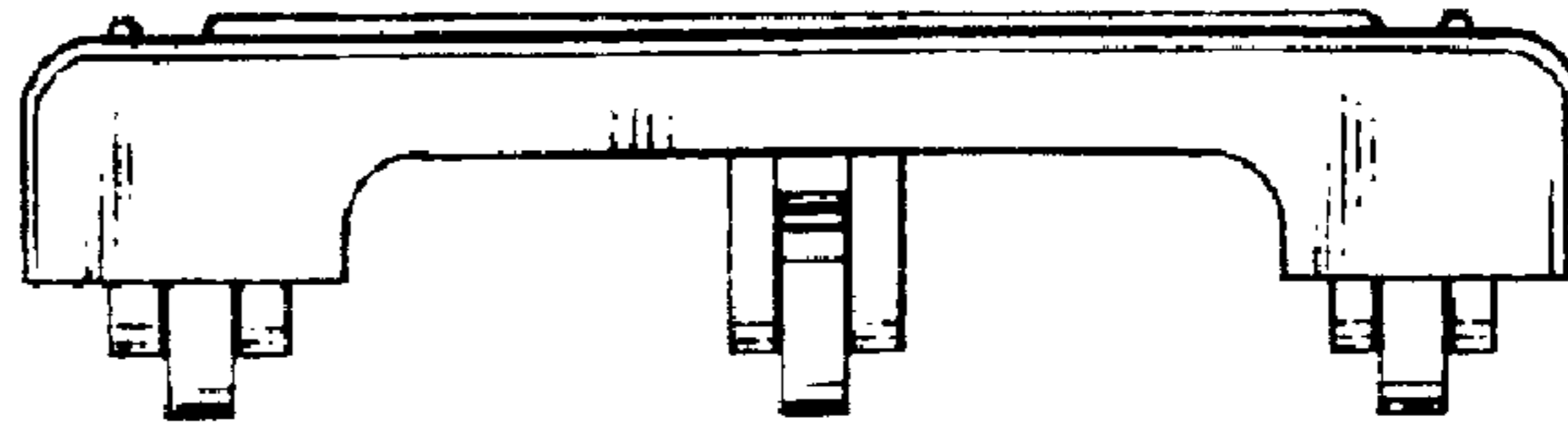


Fig. 4

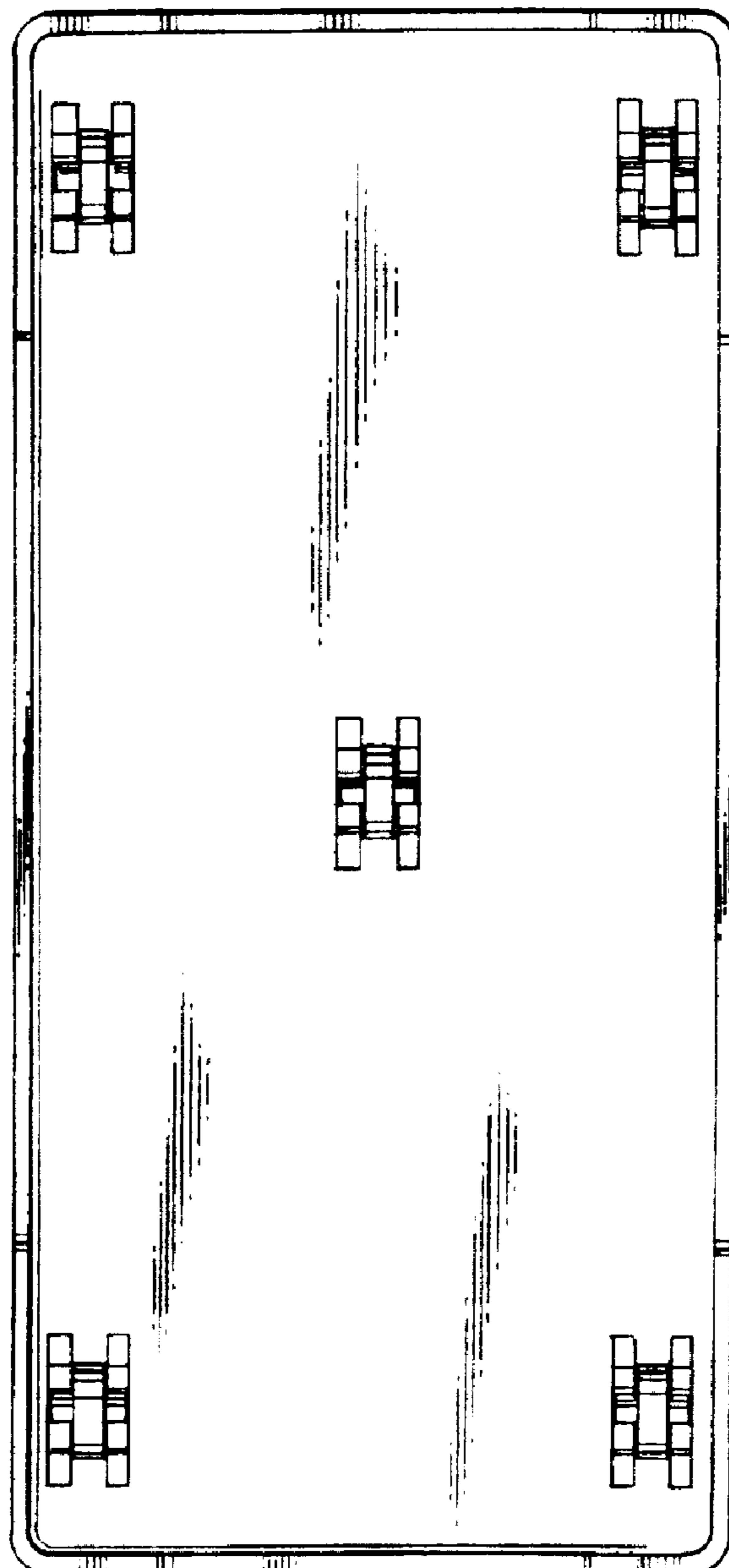


Fig. 3