



US00D519117S

(12) **United States Design Patent**
Lewis

(10) **Patent No.:** **US D519,117 S**

(45) **Date of Patent:** **** Apr. 18, 2006**

(54) **PLASMA SCREEN**

(75) Inventor: **David Lewis**, Copenhagen (DK)

(73) Assignee: **Bang & Olufsen A/S**, Struer (DK)

(**) Term: **14 Years**

(21) Appl. No.: **29/206,053**

(22) Filed: **May 25, 2004**

(51) **LOC (8) Cl.** **14-02**

(52) **U.S. Cl.** **D14/374**

(58) **Field of Classification Search** D14/371-375,
D14/125-129; 345/104, 156, 168, 173, 87;
348/180, 184, 325, 739; 248/917-924; 349/1,
349/2, 11, 62

See application file for complete search history.

(56) **References Cited**

U.S. PATENT DOCUMENTS

D382,259 S * 8/1997 Nagai et al. D14/374

D424,068 S * 5/2000 Takemasa D14/374

D424,538 S * 5/2000 Hayashi et al. D14/374

D486,825 S * 2/2004 Shiota et al. D14/374

* cited by examiner

Primary Examiner—Freda S. Nunn

(74) *Attorney, Agent, or Firm*—Buchanan Ingersoll PC

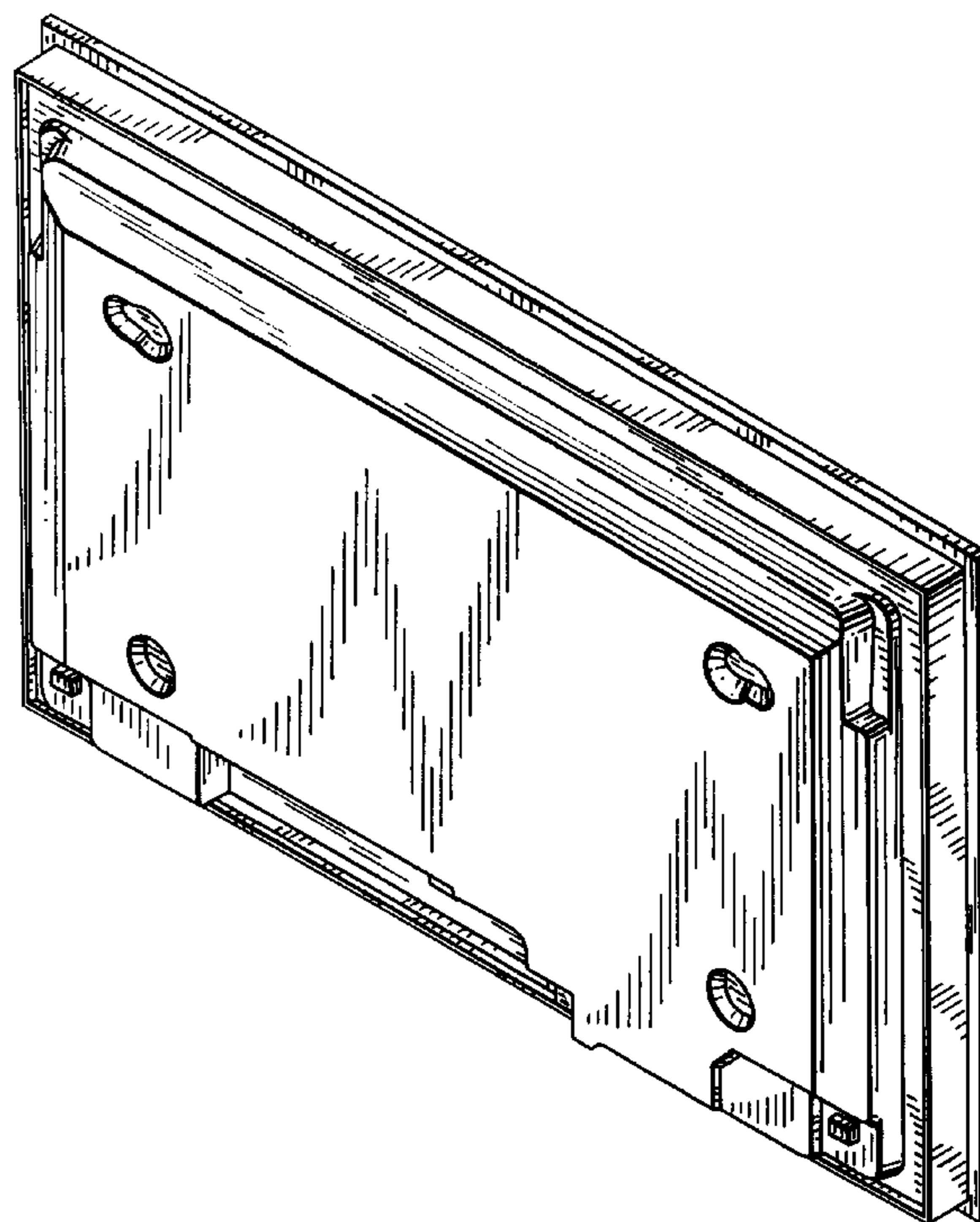
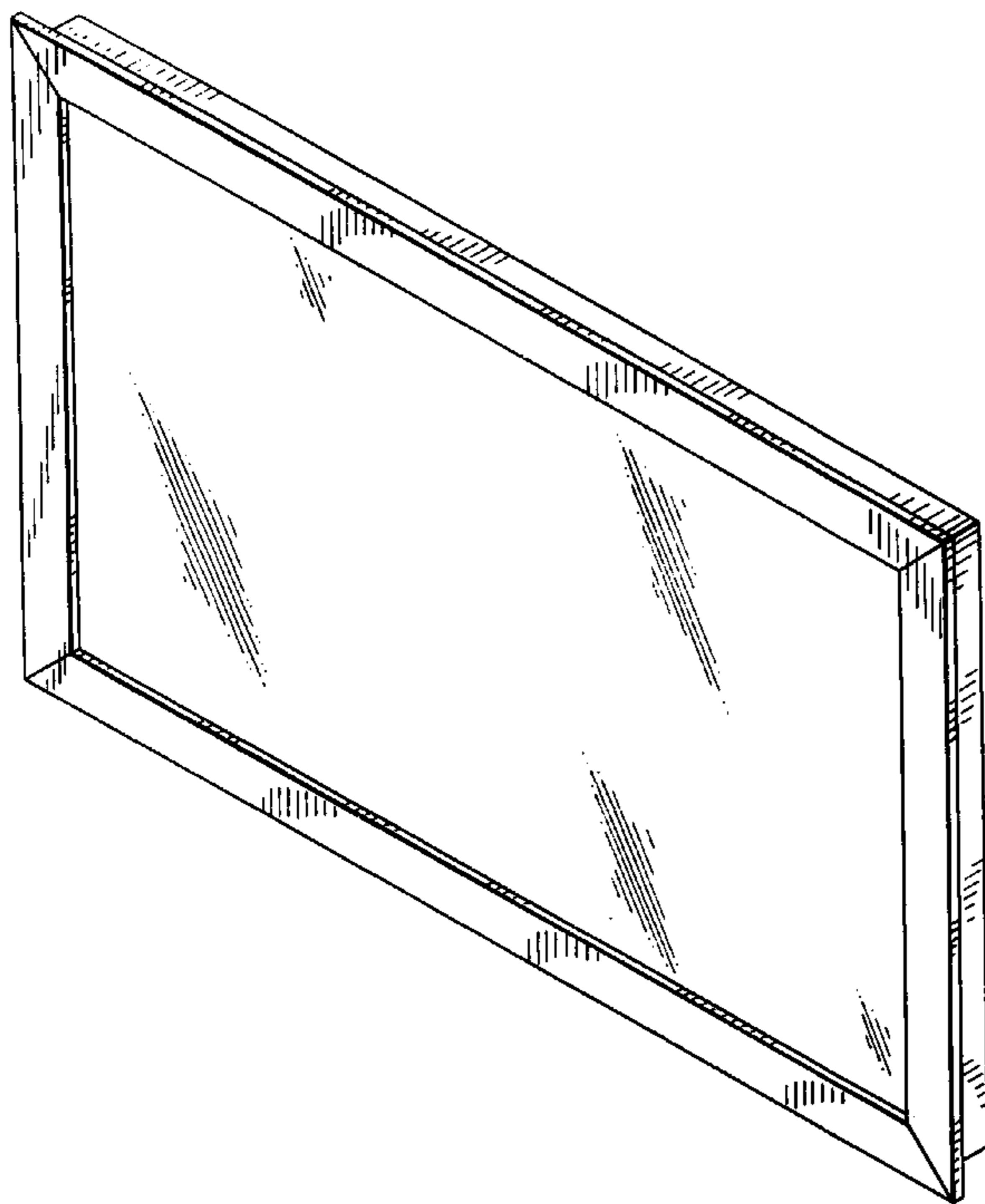
(57) **CLAIM**

I claim the ornamental design for a plasma screen, as shown and described.

DESCRIPTION

FIG. 1 is a front, right, top perspective view of the new ornamental plasma screen of the present invention; FIG. 2 is a rear view thereof; FIG. 3 is a left side view thereof; FIG. 4 is a right side view thereof; FIG. 5 is a top view thereof; FIG. 6 is a bottom view thereof; and, FIG. 7 is a rear, right, top perspective view thereof.

1 Claim, 7 Drawing Sheets



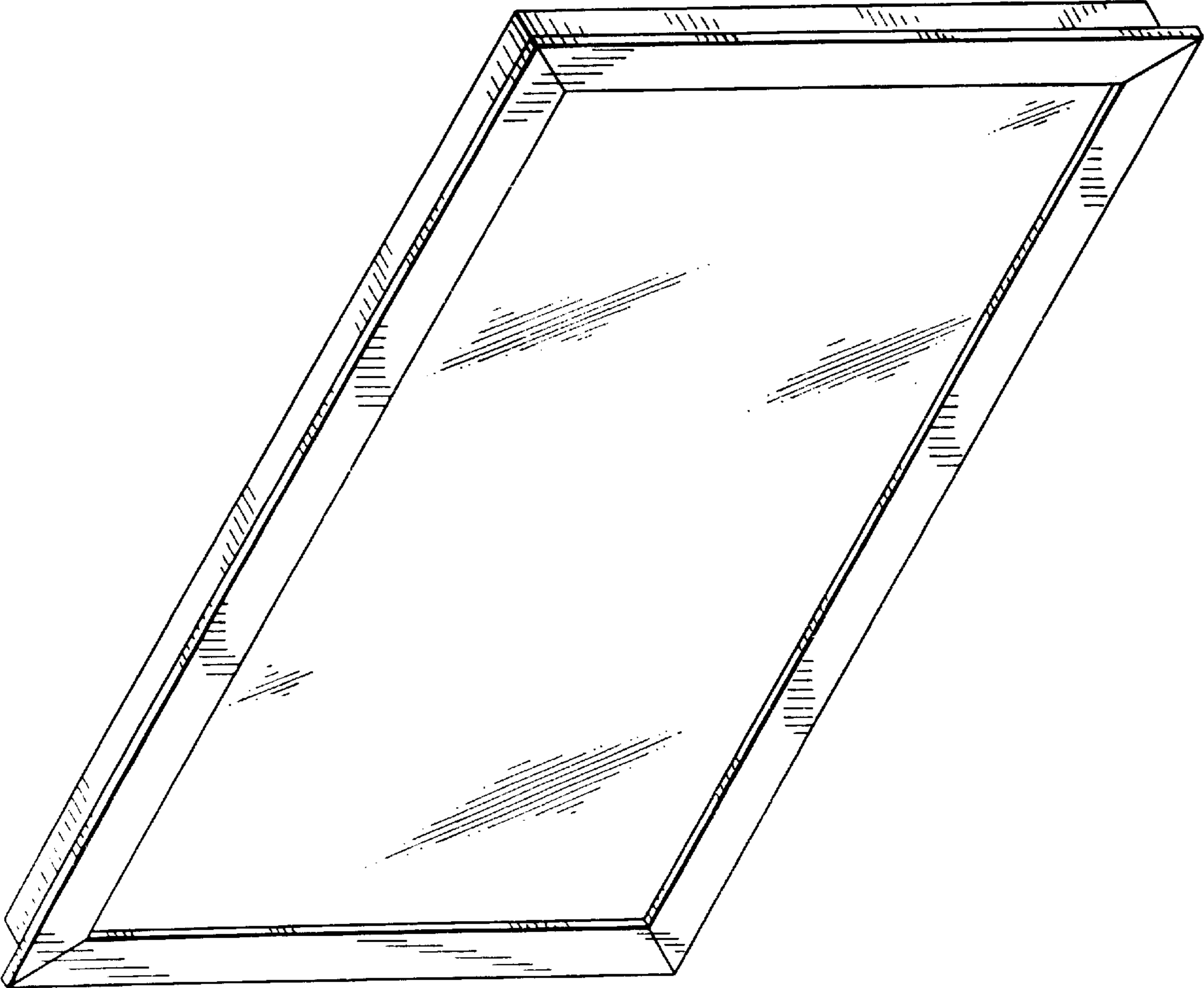


FIG. 1

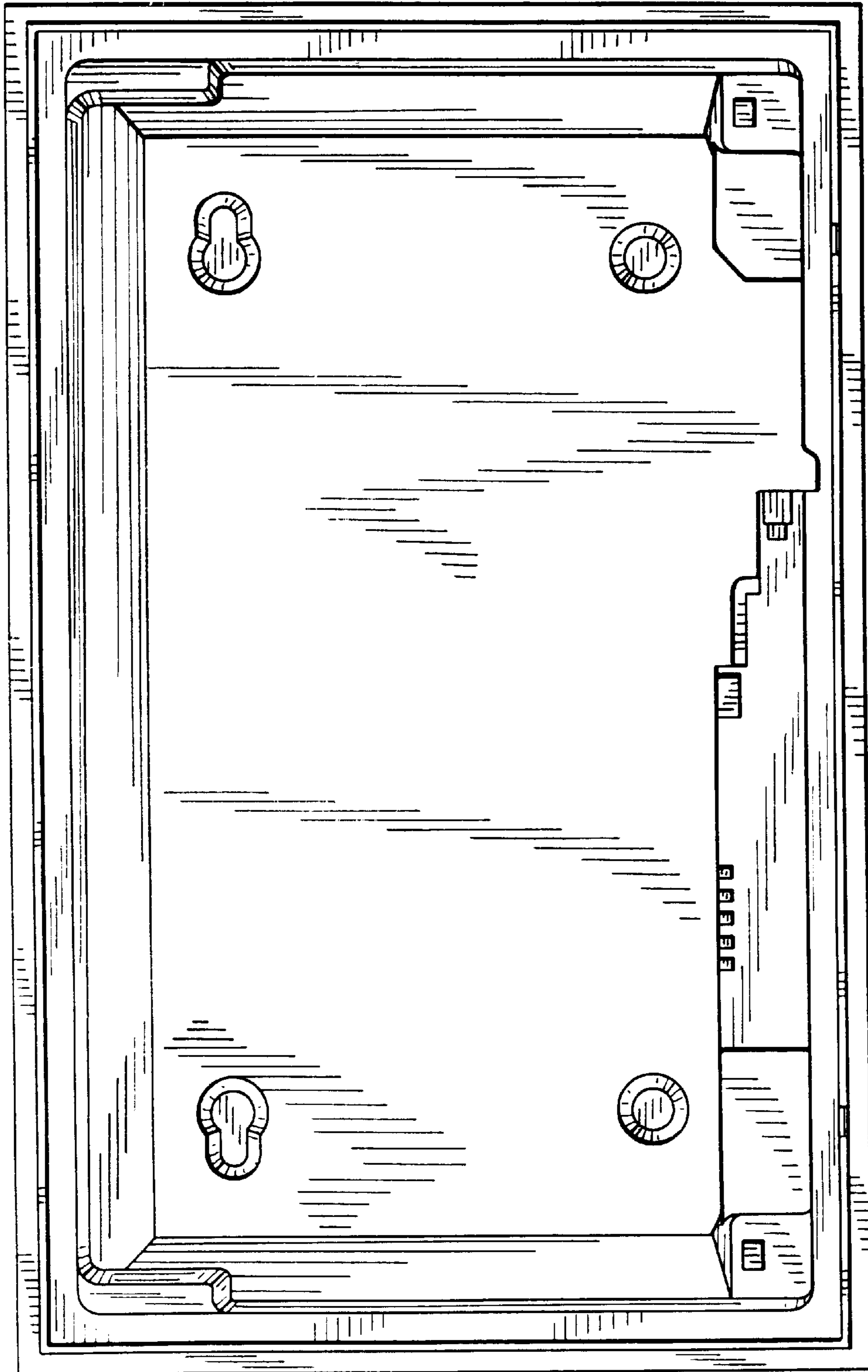


FIG. 2

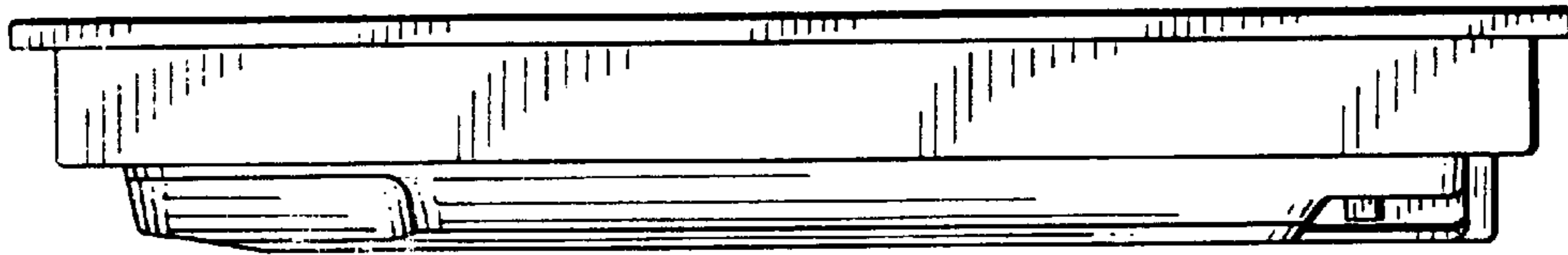


FIG. 3

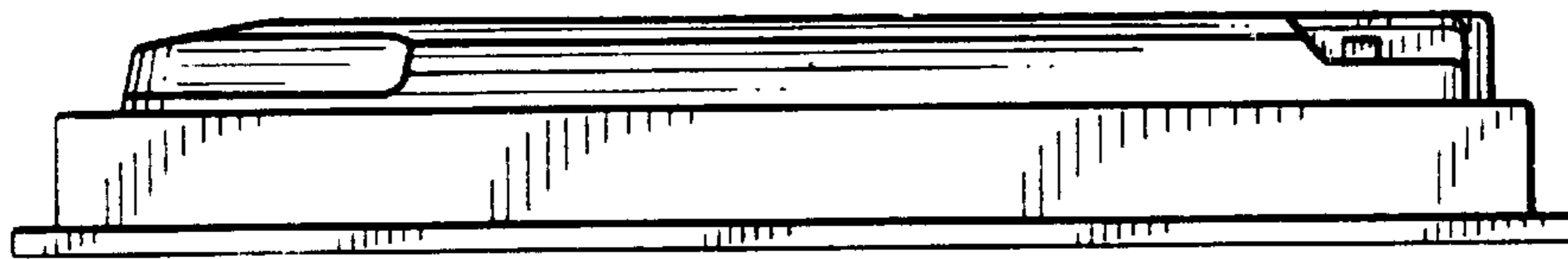


FIG. 4

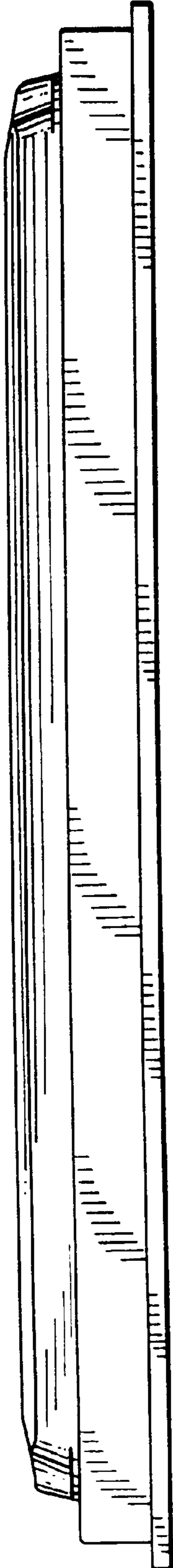


FIG. 5

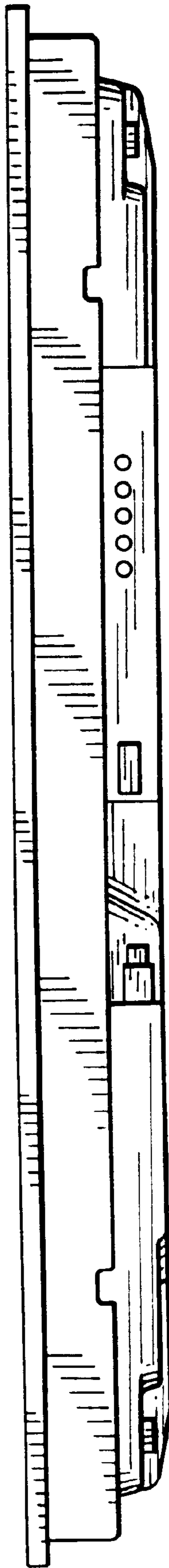


FIG. 6

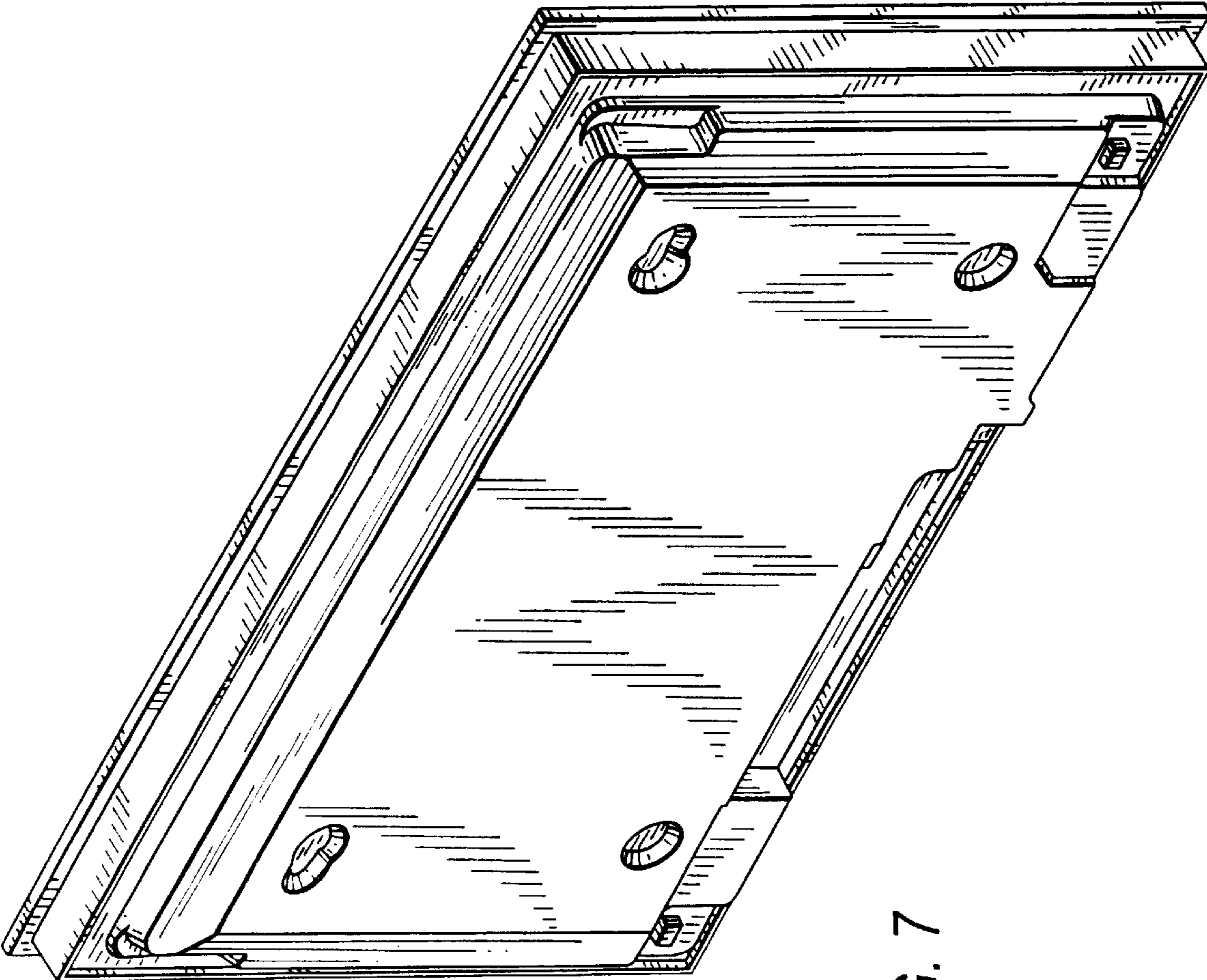


FIG. 7