



US00D519116S

(12) **United States Design Patent**  
**Tanaka et al.**

(10) **Patent No.:** **US D519,116 S**  
(45) **Date of Patent:** **\*\* Apr. 18, 2006**

(54) **MOBILE COMPUTER**

(75) Inventors: **Toshiyuki Tanaka**, Austin, TX (US);  
**Aage Granaas**, Redwood City, CA (US)

(73) Assignee: **Kabushiki Kaisha Toshiba**, Tokyo (JP)

(\*\*) Term: **14 Years**

(21) Appl. No.: **29/212,883**

(22) Filed: **Sep. 8, 2004**

(51) **LOC (8) Cl.** ..... **14-02**

(52) **U.S. Cl.** ..... **D14/341**

(58) **Field of Classification Search** ..... D14/341-346,  
D14/320, 356, 331, 371, 373; D18/1, 2, 7,  
D18/11; 235/145 A, 145 R; 341/22, 23; 345/156,  
345/168, 169, 172, 173, 87; 361/680-686  
See application file for complete search history.

(56) **References Cited**

**U.S. PATENT DOCUMENTS**

D433,021 S	*	10/2000	Shibata	.....	D14/356
D438,206 S	*	2/2001	Joshi	.....	D14/373
D454,347 S	*	3/2002	Chung et al.	.....	D14/320
D455,424 S	*	4/2002	Sheth et al.	.....	D14/320
D476,327 S	*	6/2003	Lewis et al.	.....	D14/331
D485,270 S	*	1/2004	Peng	.....	D14/371

**FOREIGN PATENT DOCUMENTS**

JP 10-055227 2/1998

\* cited by examiner

*Primary Examiner*—Freda S. Nunn

(74) *Attorney, Agent, or Firm*—Blakely Sokoloff Taylor & Zafman, LLP

(57) **CLAIM**

The ornamental design for a mobile computer, as shown and described.

**DESCRIPTION**

FIG. 1 is a front perspective view of an embodiment of a mobile computer;

FIG. 2 is a rear perspective view of the mobile computer of FIG. 1;

FIG. 3 is a top elevational view of the mobile computer of FIG. 1;

FIG. 4 is a bottom side view of the mobile computer of FIG. 1;

FIG. 5 is a top side view of the mobile computer of FIG. 1;

FIG. 6 is a front perspective view of a first alternative position of the mobile computer;

FIG. 7 is a rear perspective view of the first alternative position of the mobile computer of FIG. 6;

FIG. 8 is a top elevational view of the first alternative position of the mobile computer of FIG. 6;

FIG. 9 is a right side view of the first alternative position of the mobile computer of FIG. 6;

FIG. 10 is a front perspective view of a second alternative position of the mobile computer;

FIG. 11 is a rear perspective view of the second alternative position of the mobile computer of FIG. 10;

FIG. 12 is a top elevational view of the second alternative position of the mobile computer of FIG. 10;

FIG. 13 is a right side view of the second alternative position of the mobile computer of FIG. 10;

FIG. 14 is a front perspective view of a third alternative position of the mobile computer;

FIG. 15 is a rear perspective view of the third alternative position of the mobile computer of FIG. 14;

FIG. 16 is a front view of the third alternative position of the mobile computer of FIG. 14;

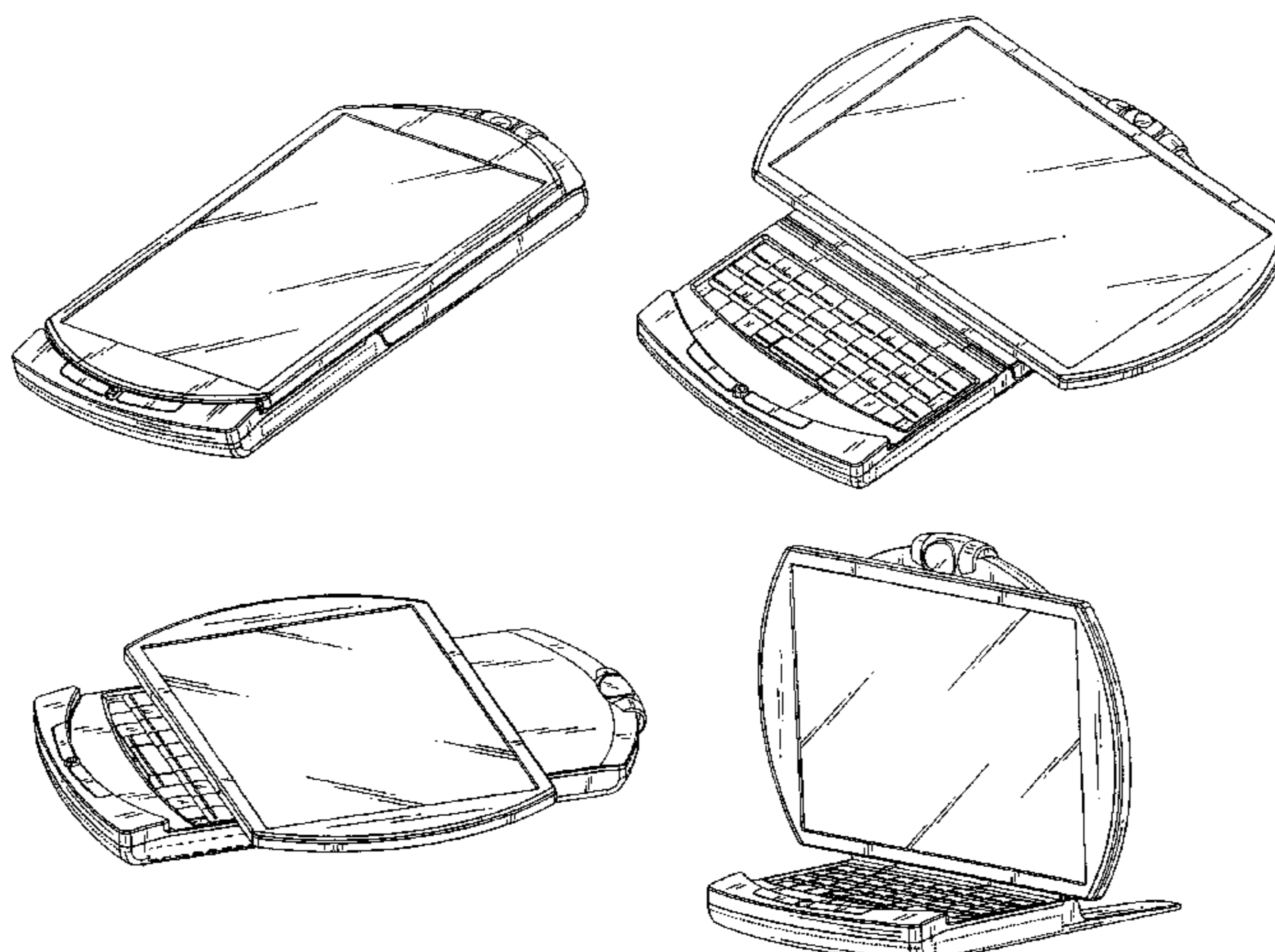
FIG. 17 is a right side view of the third alternative position of the mobile computer of FIG. 14;

FIG. 18 is a rear view of the third alternative position of the mobile computer of FIG. 14; and,

FIG. 19 is a top plan view of the third alternative position of the mobile computer of FIG. 14.

The broken lines, as shown in FIGS. 1 through 19, are for illustrative purposes only and form no part of the claimed design.

**1 Claim, 19 Drawing Sheets**



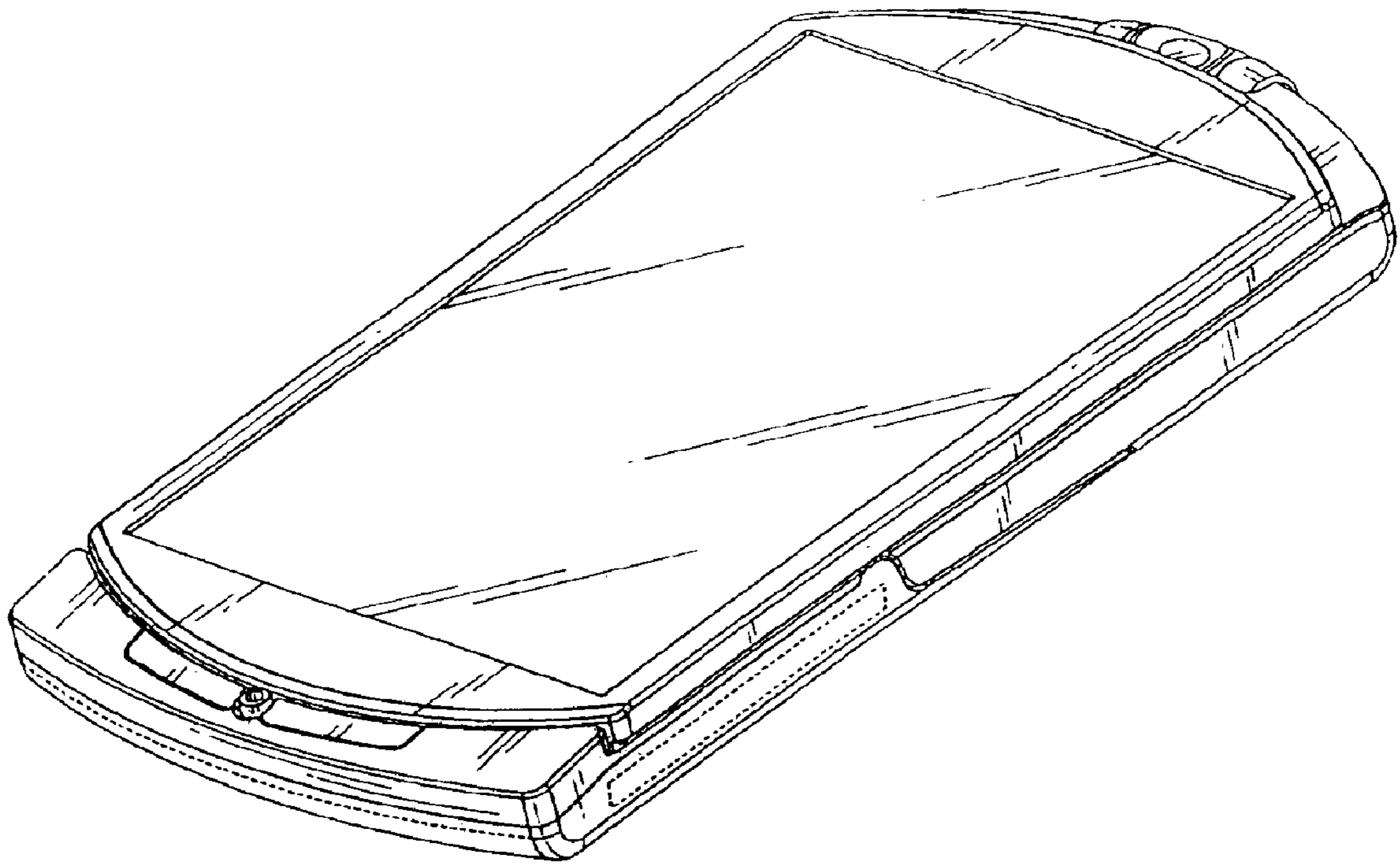


Fig. 1

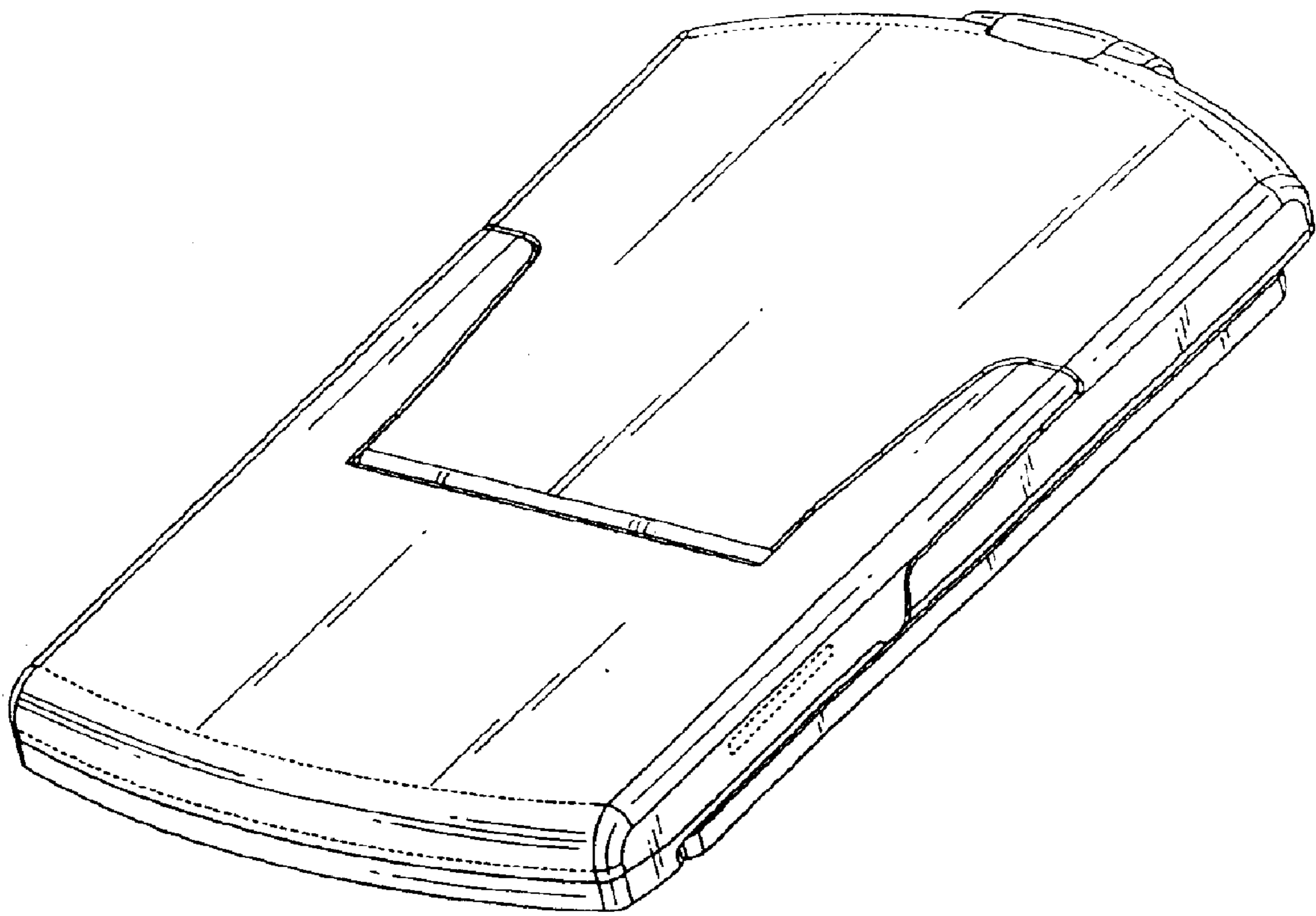


Fig. 2

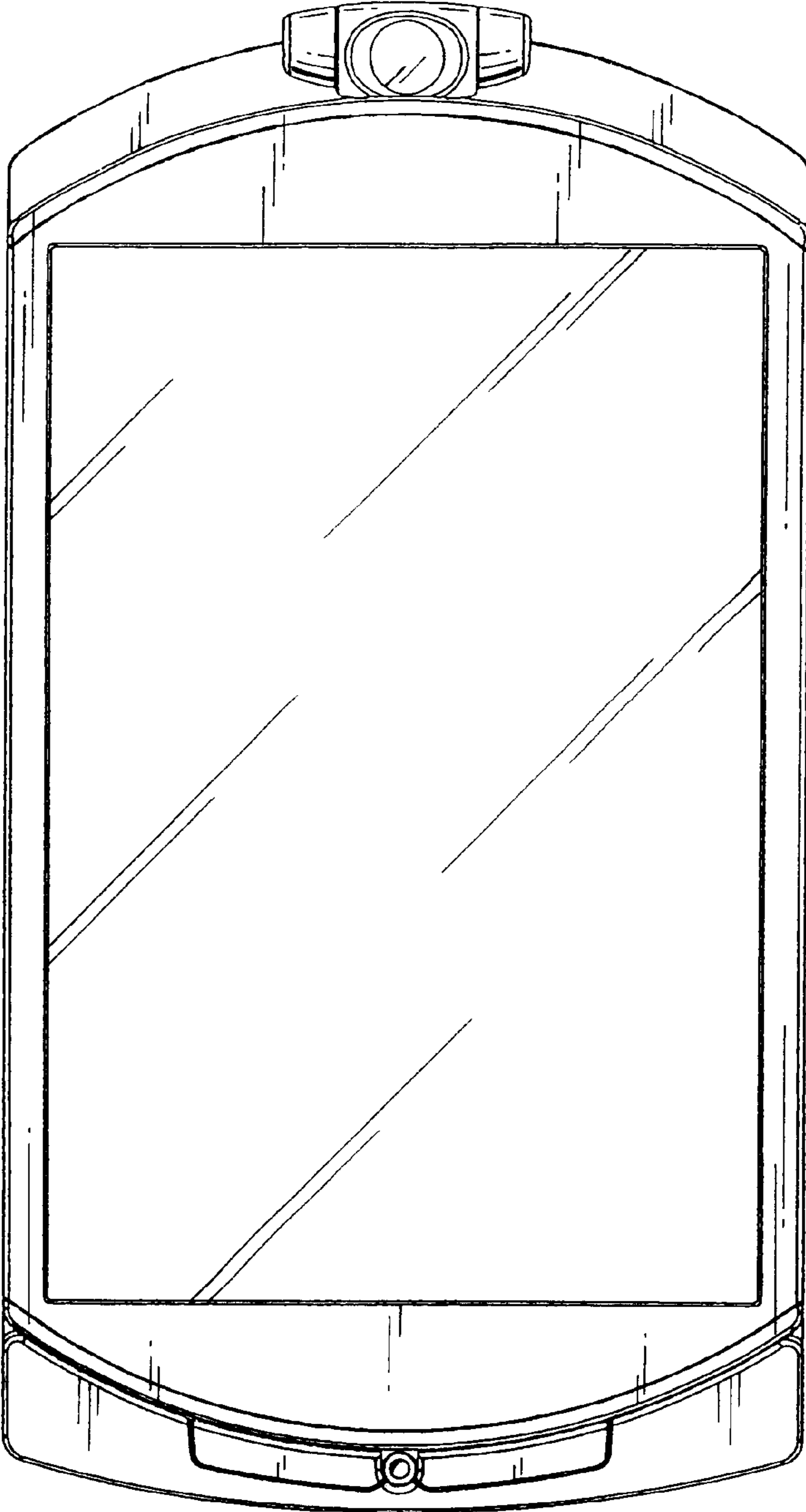


Fig. 3

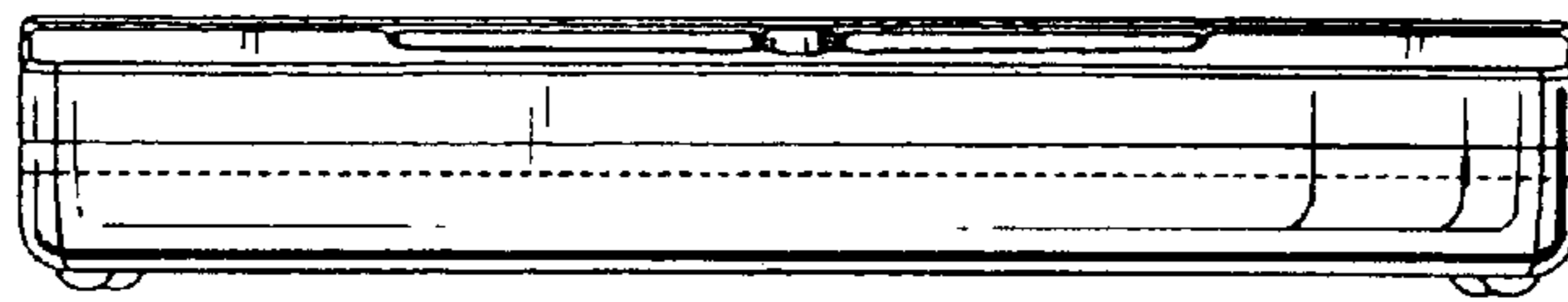


Fig. 4

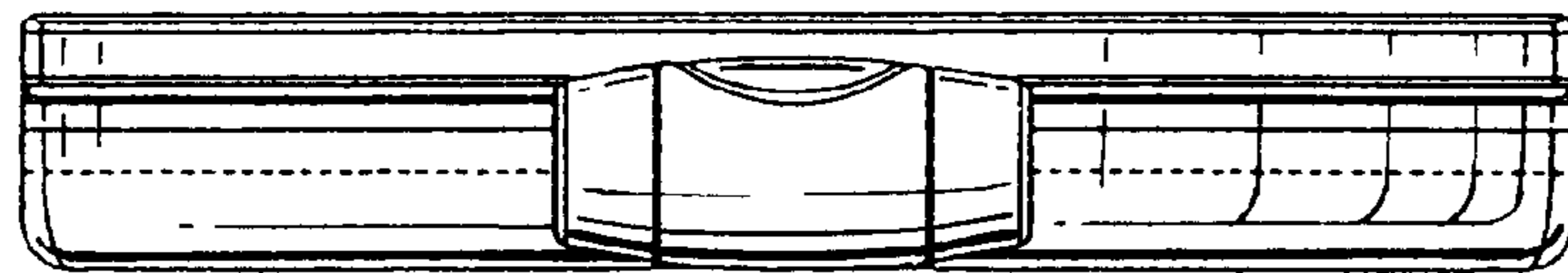


Fig. 5

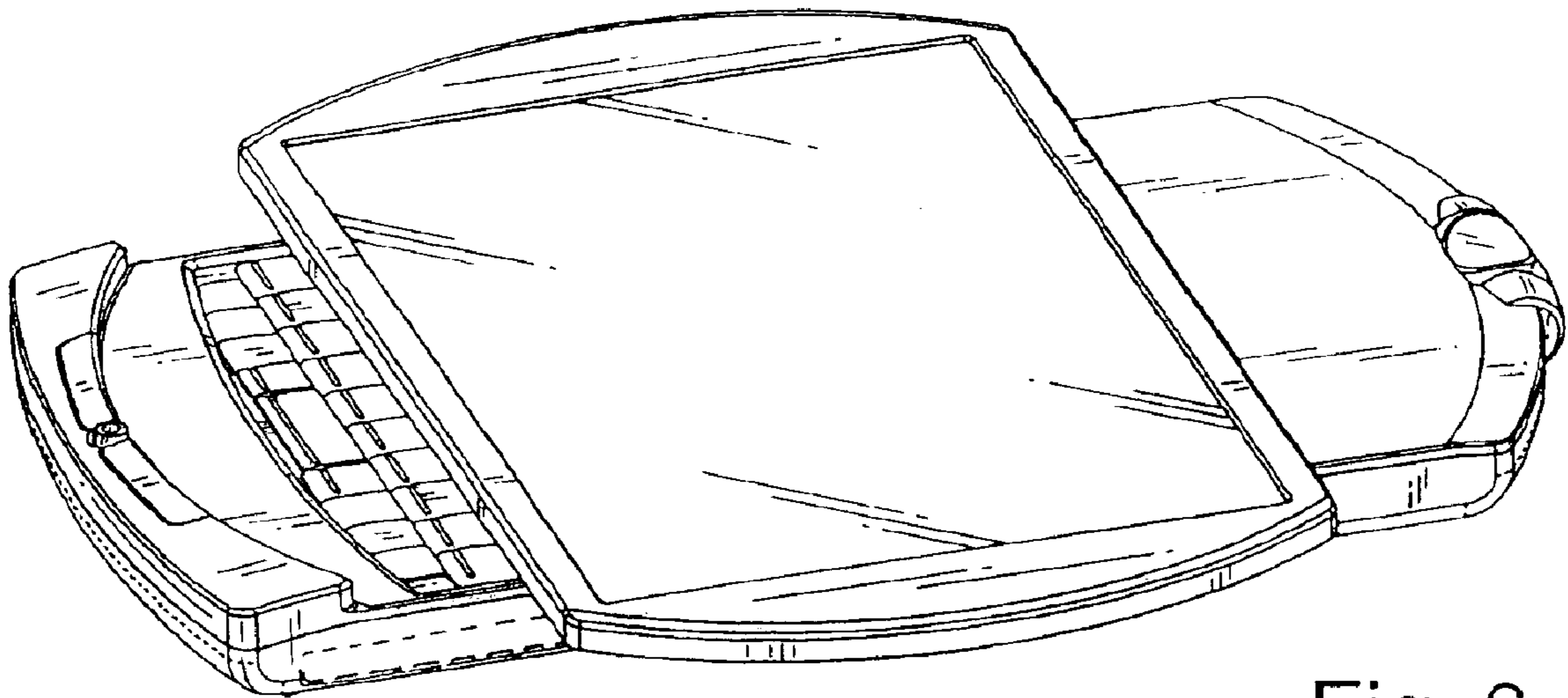


Fig. 6

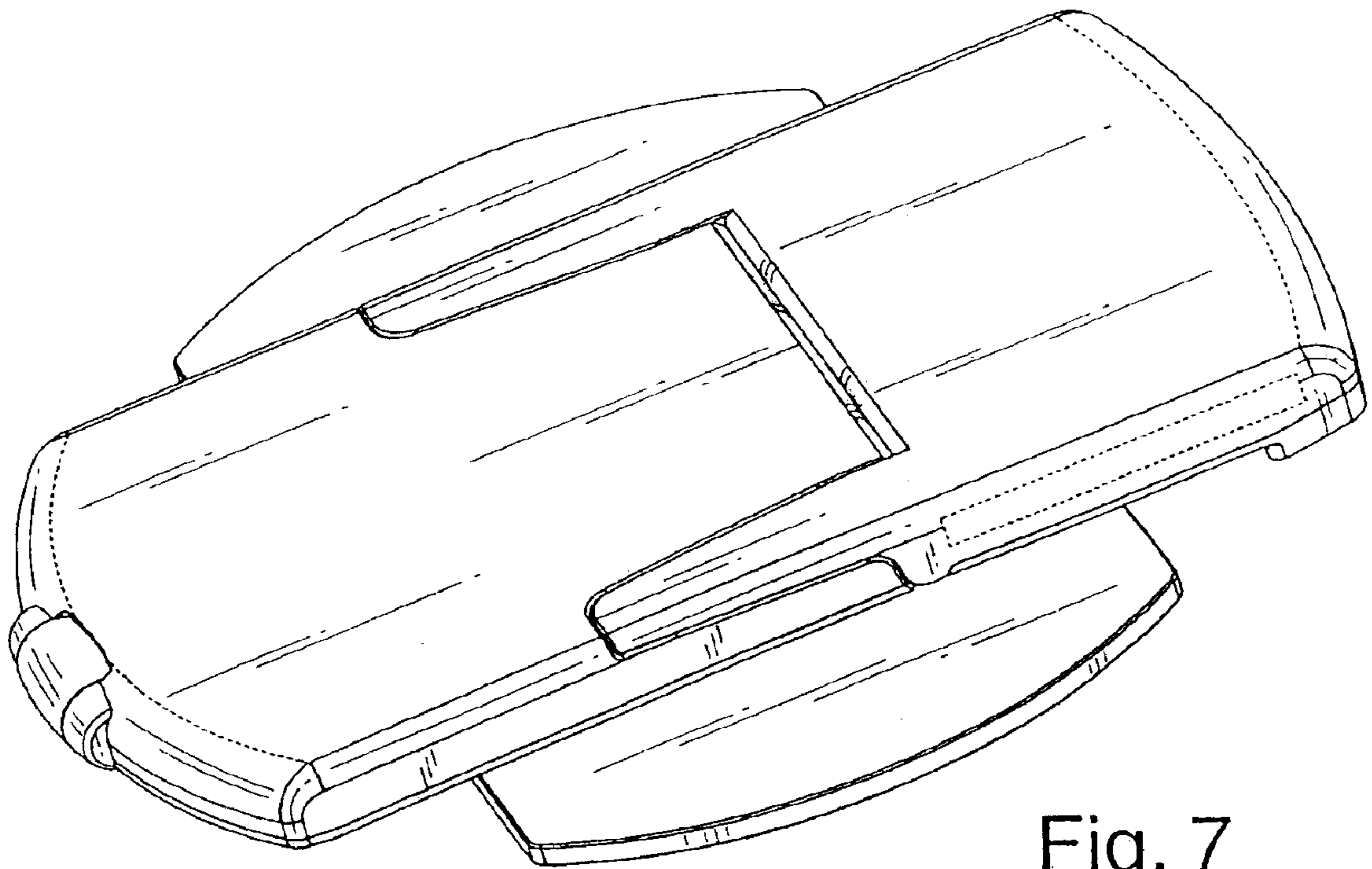


Fig. 7



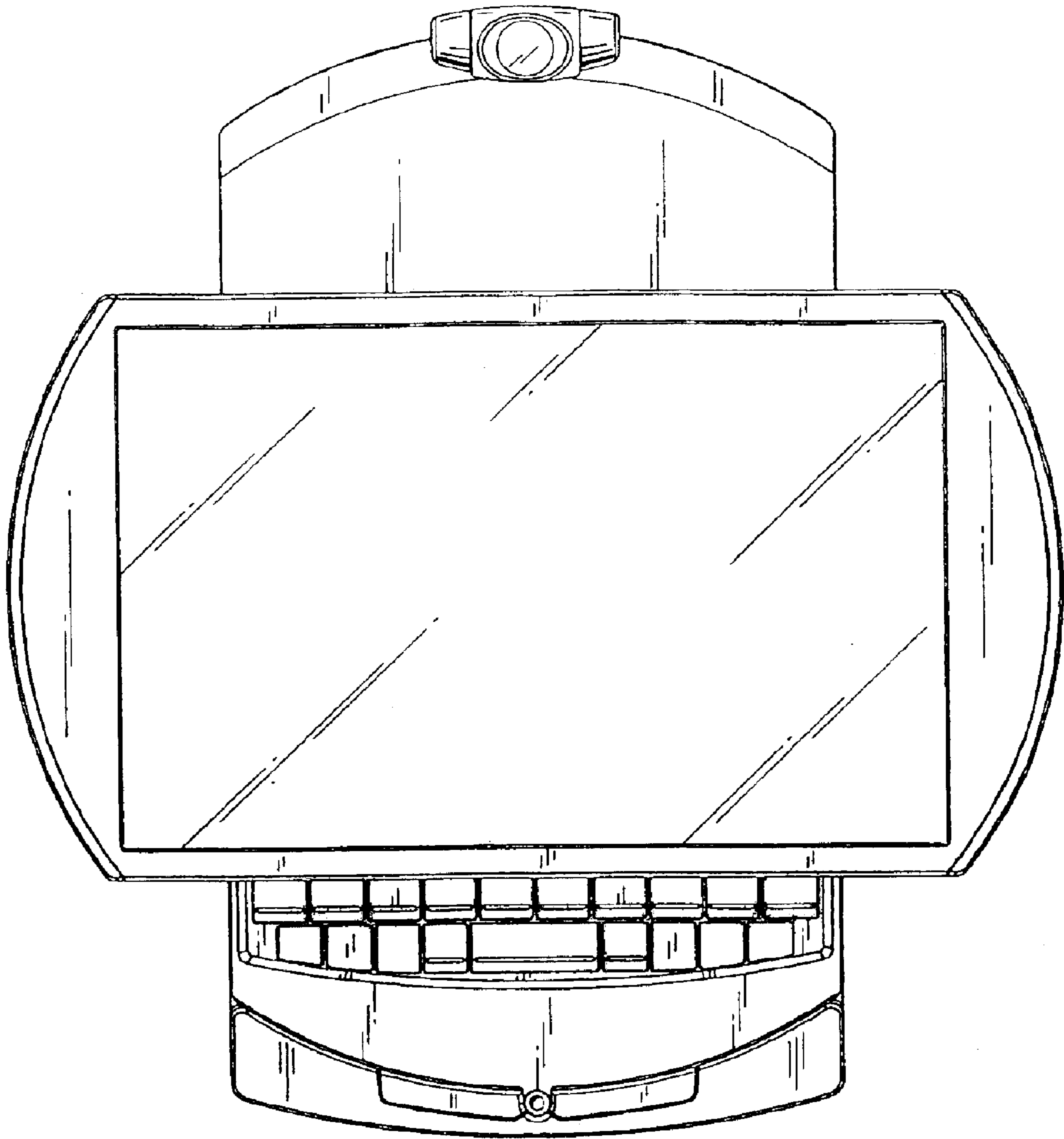


Fig. 8



Fig. 9

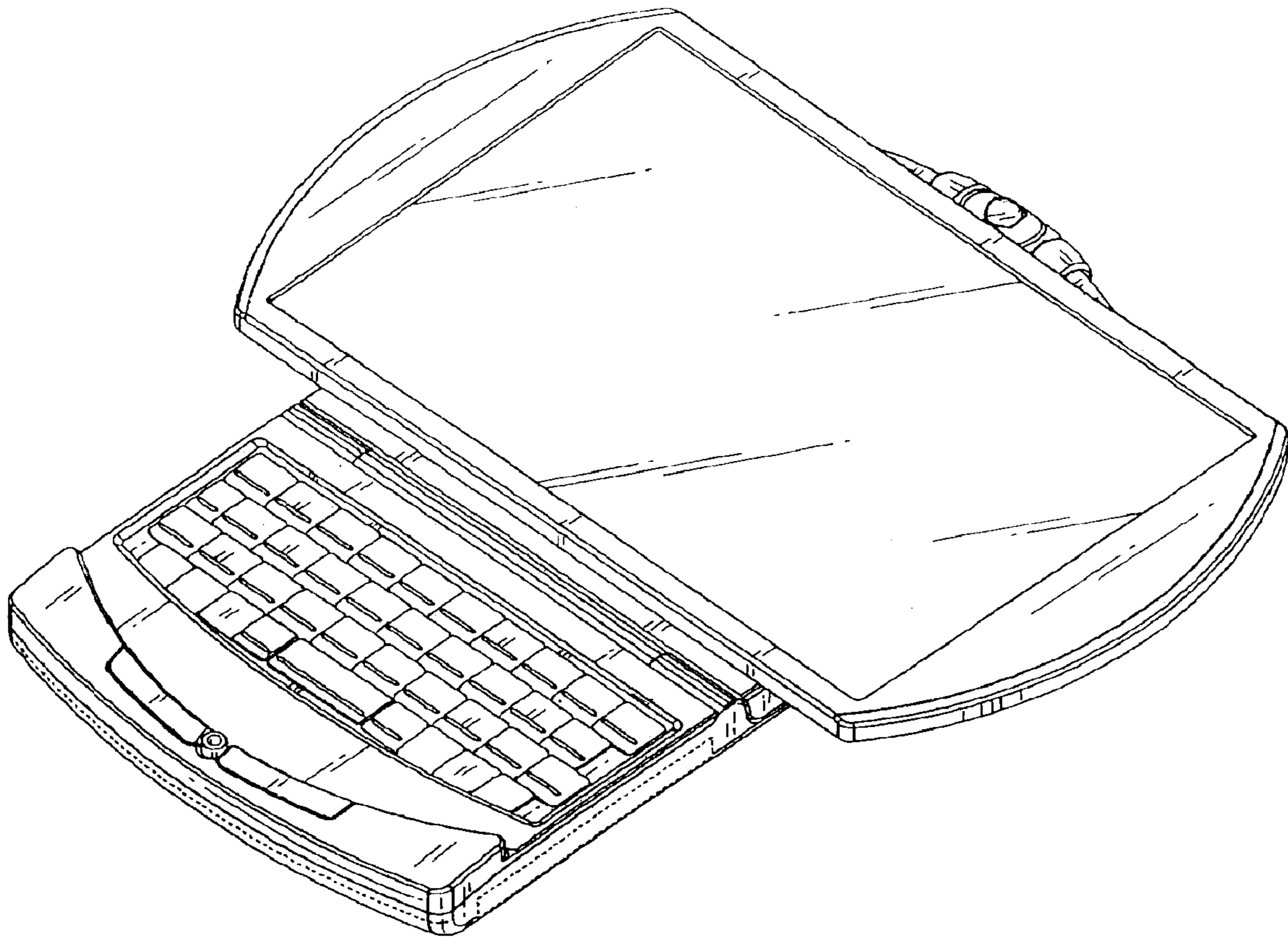


Fig. 10

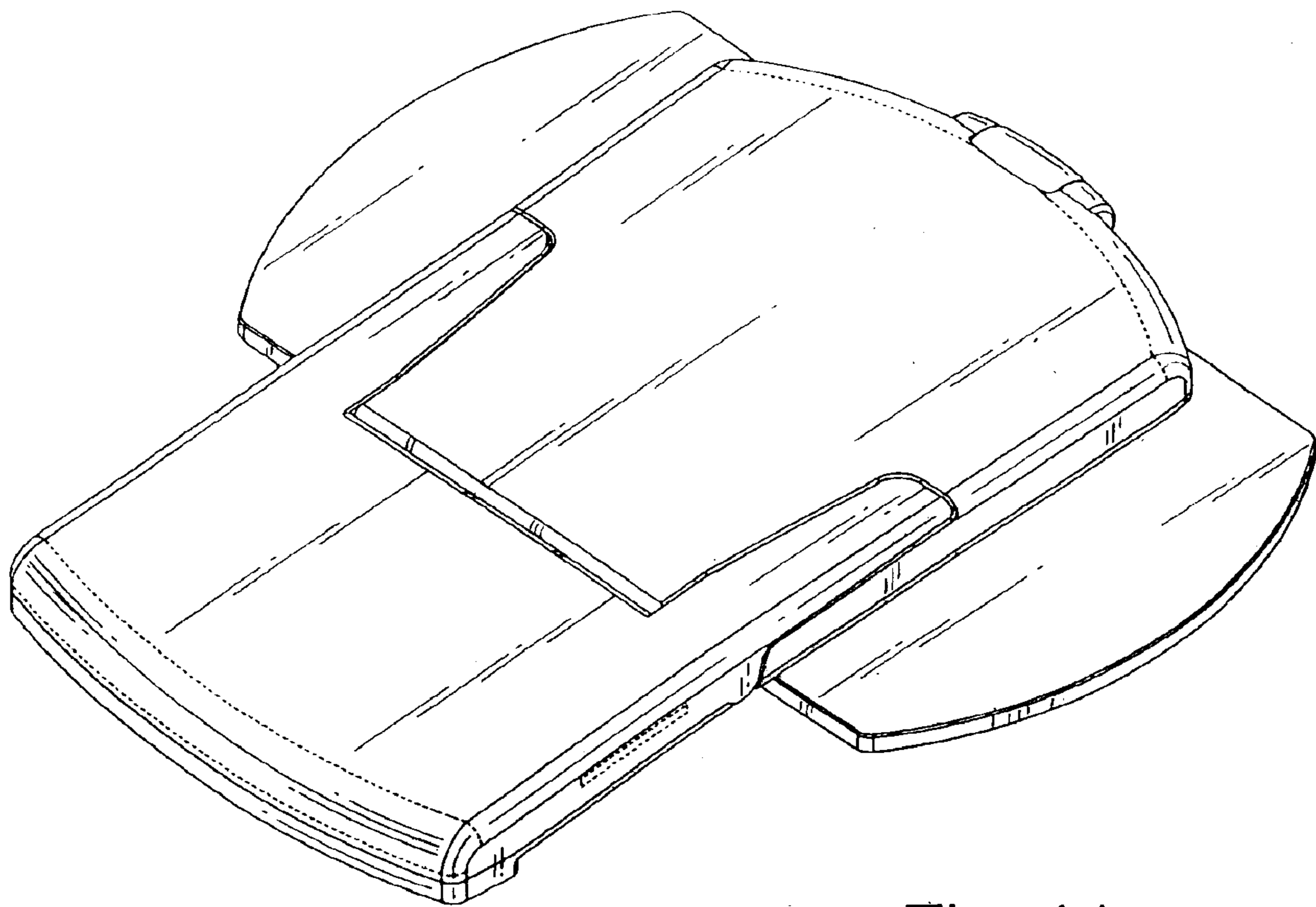


Fig. 11

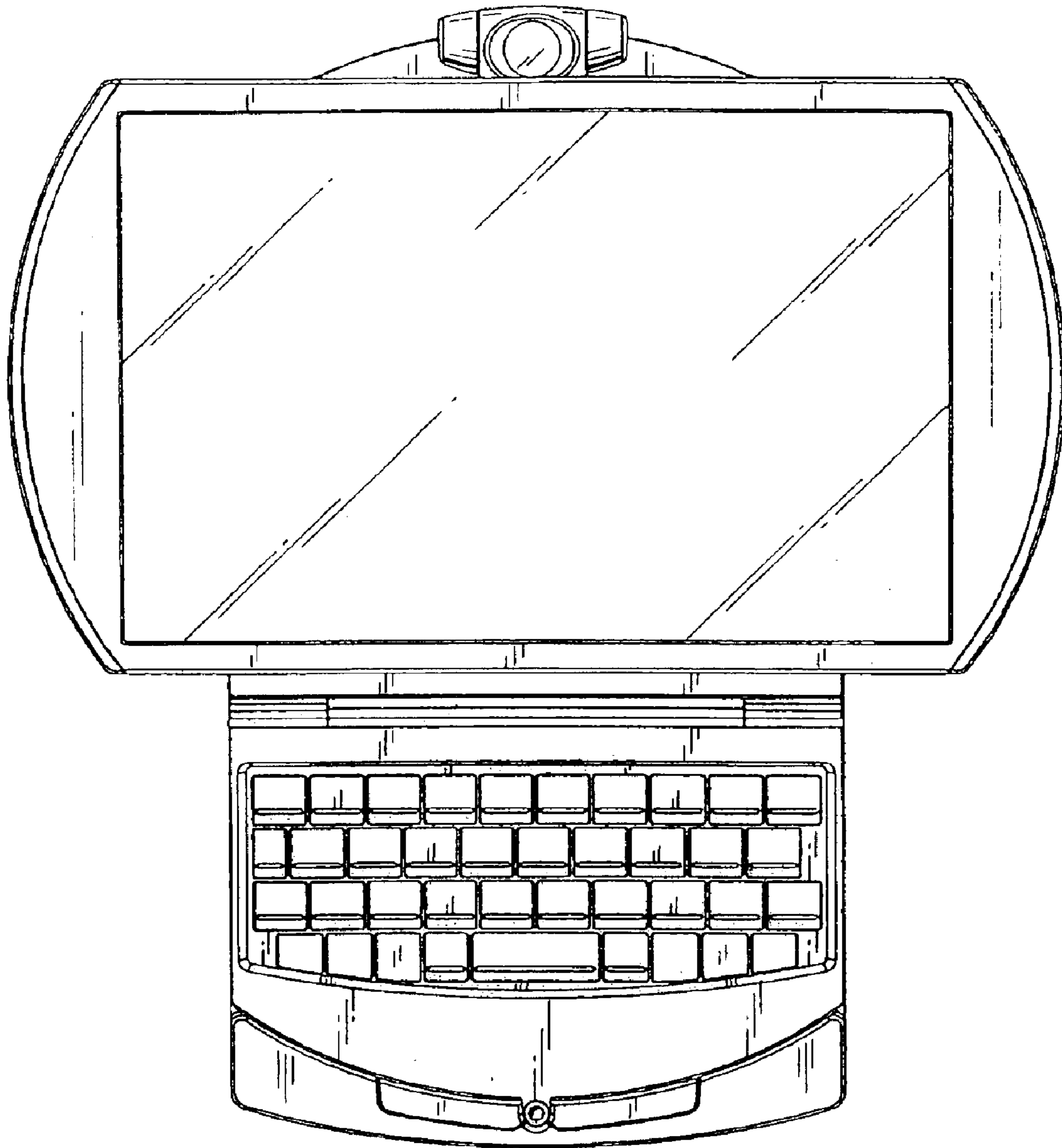


Fig. 12

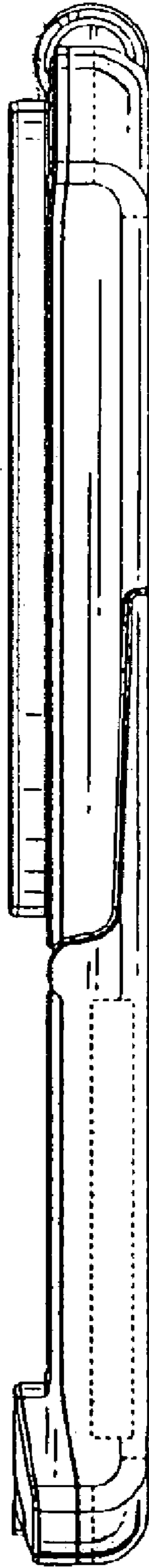


Fig. 13

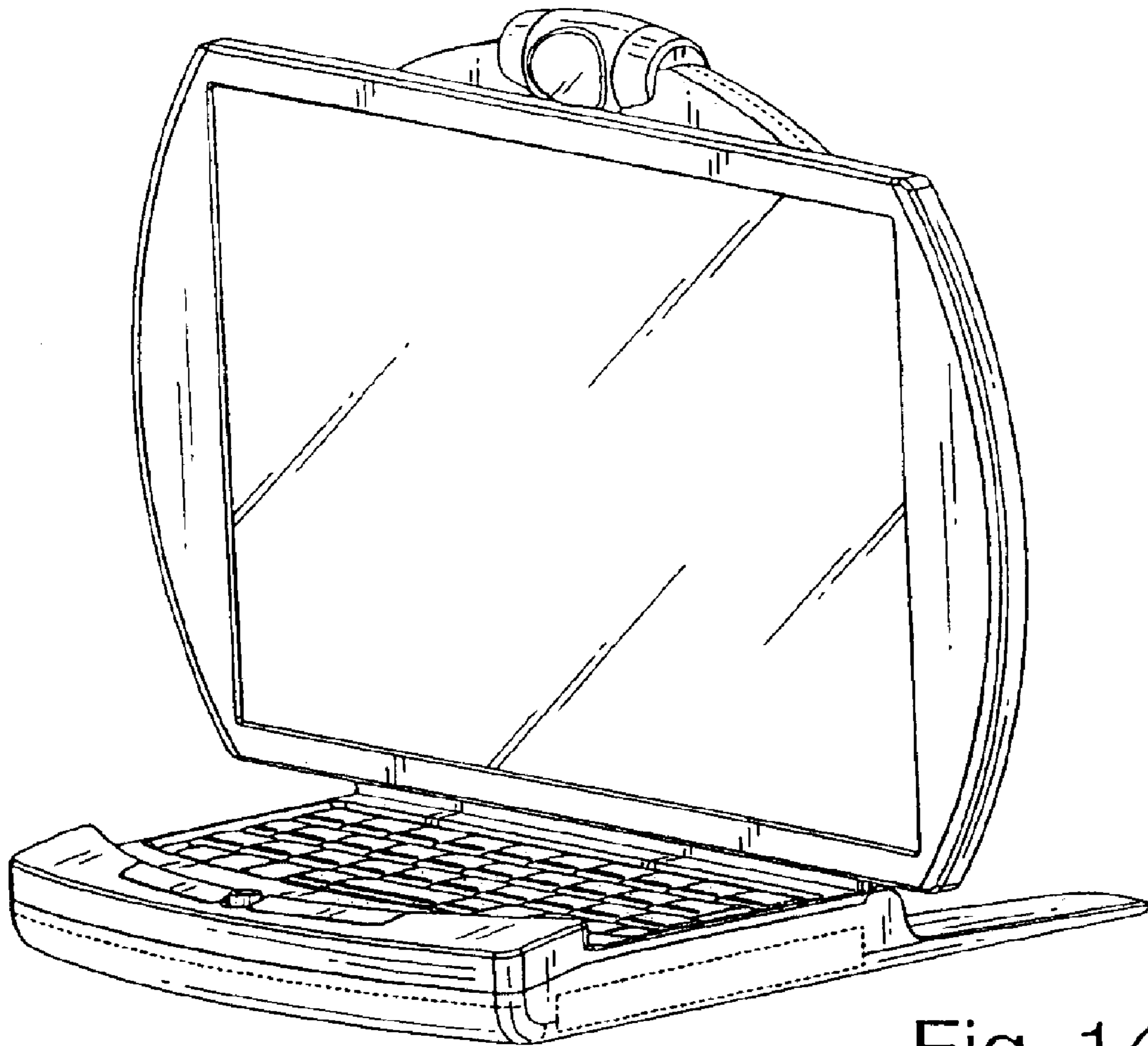


Fig. 14

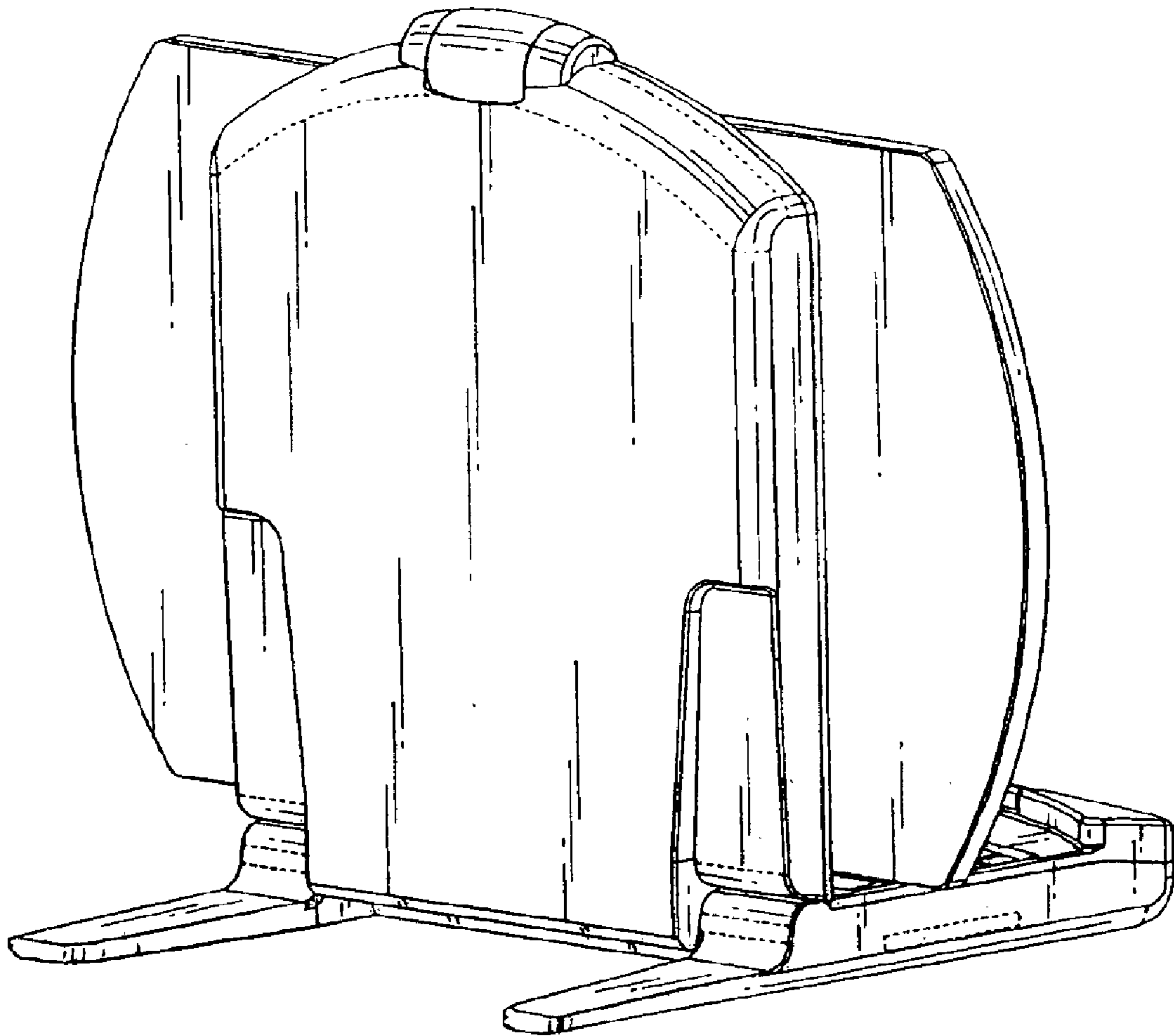


Fig. 15



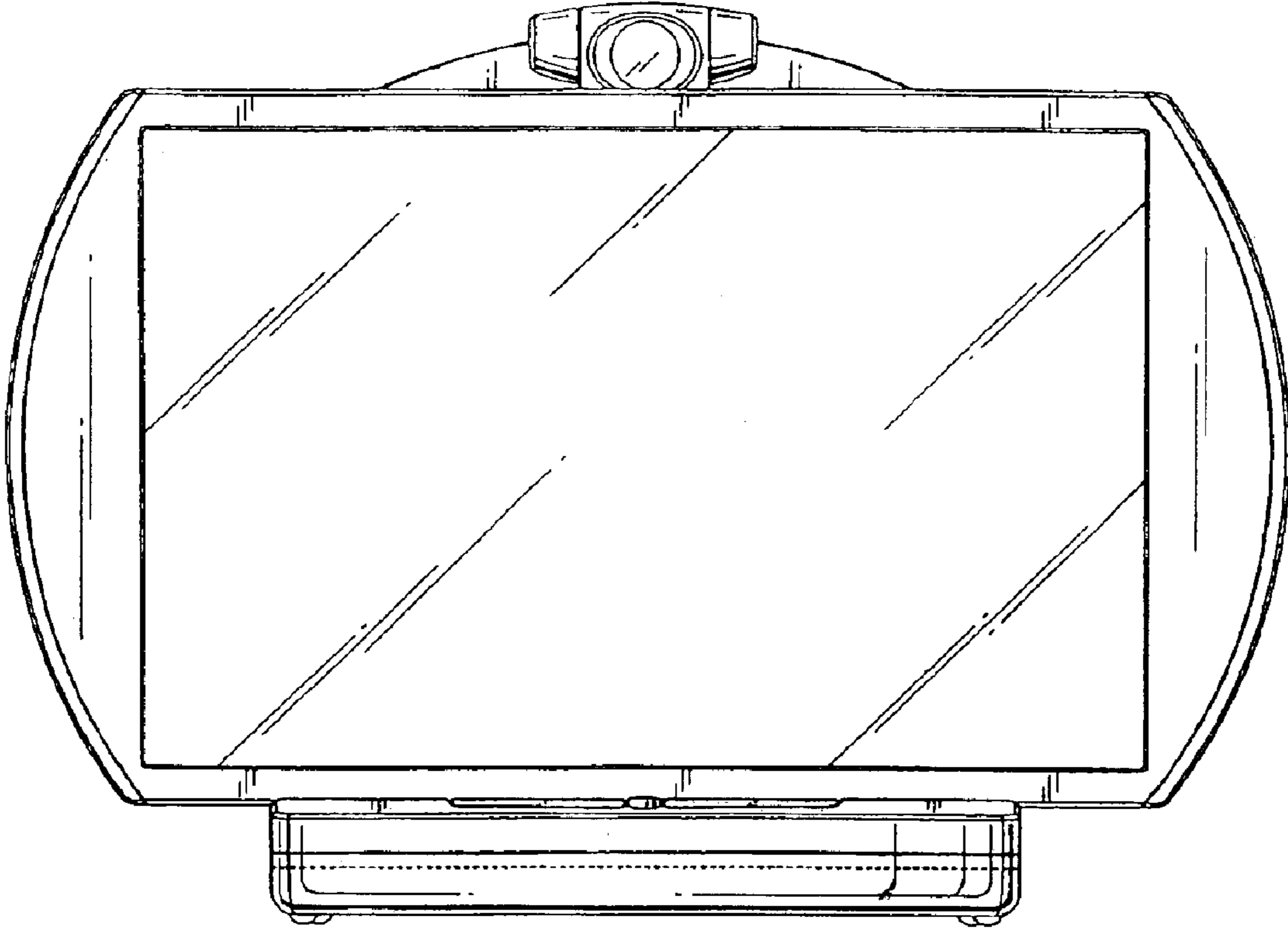
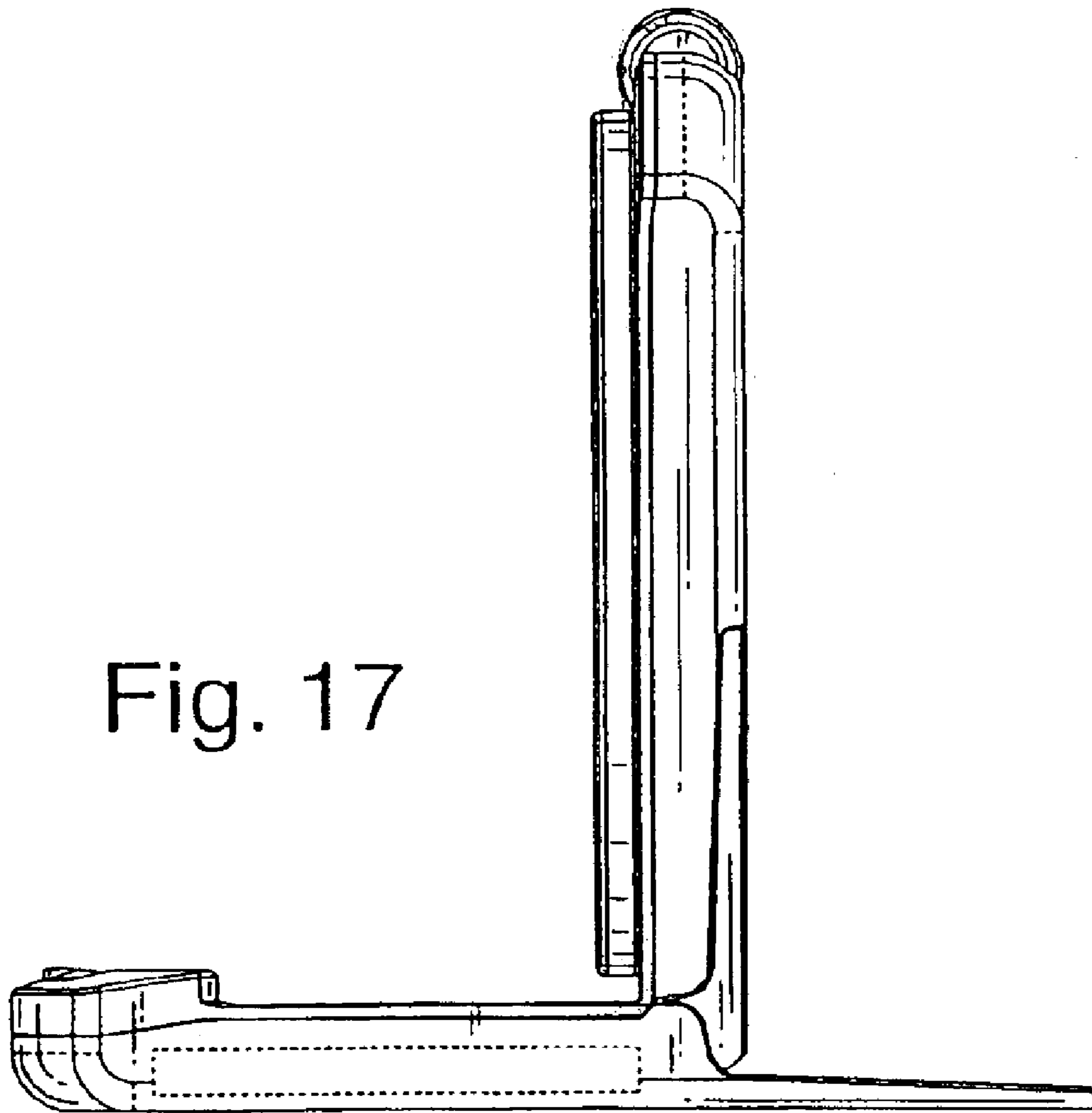


Fig. 16

Fig. 17



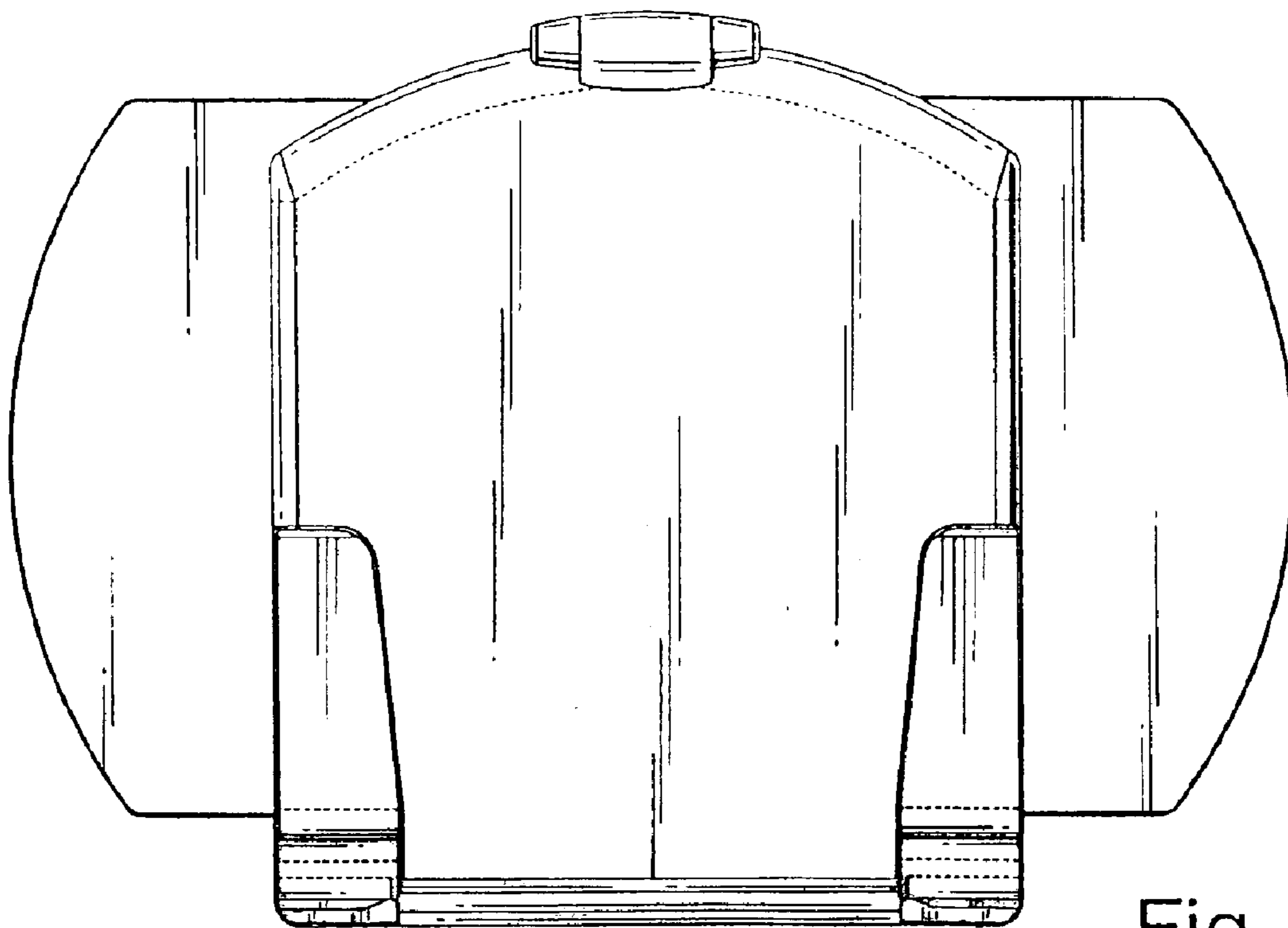


Fig. 18

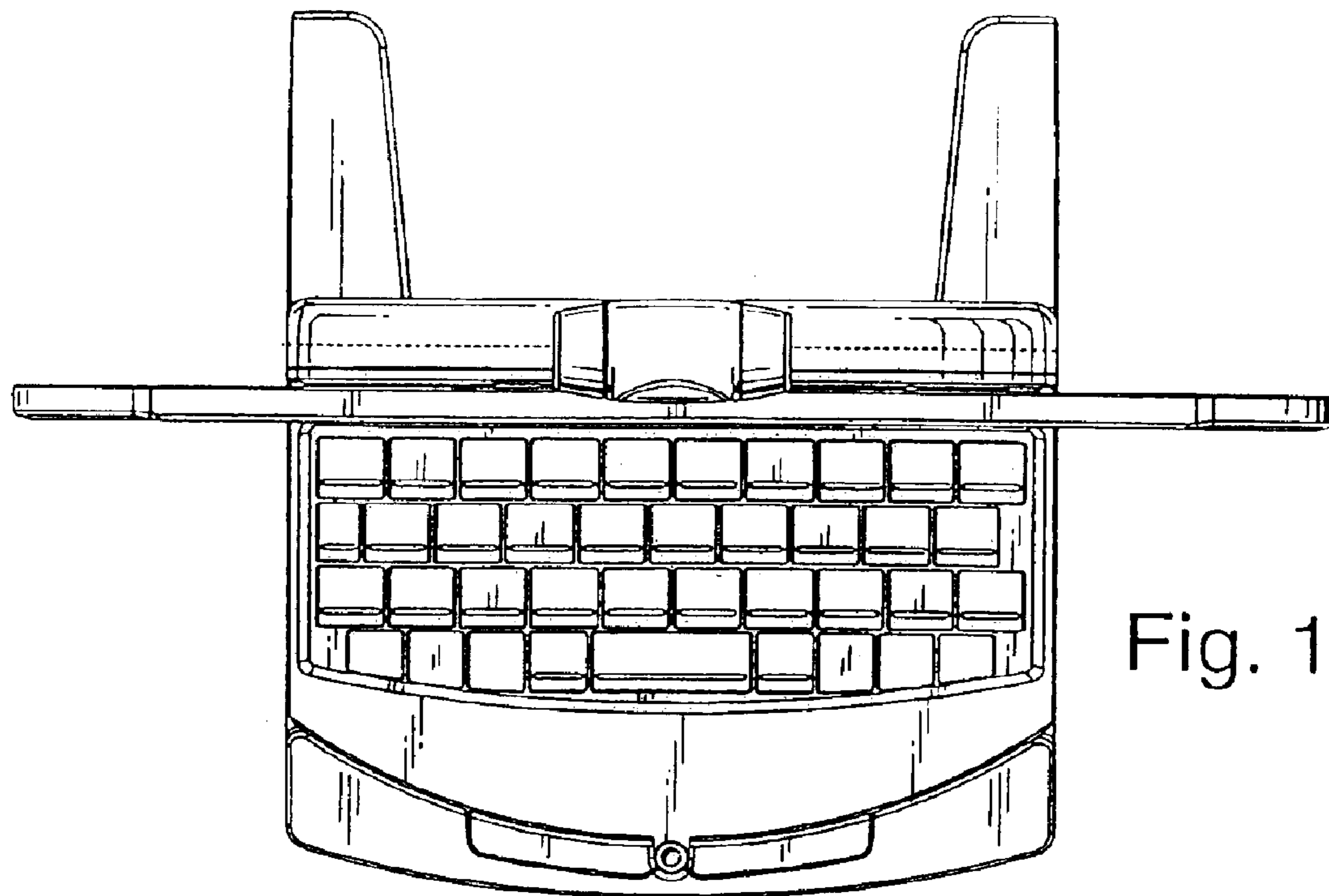


Fig. 19