



US00D519114S

(12) **United States Design Patent**  
**Shinohara**

(10) **Patent No.:** **US D519,114 S**

(45) **Date of Patent:** **\*\* Apr. 18, 2006**

(54) **PICKUP FOR DISC PLAYER**

(75) Inventor: **Yoshikazu Shinohara**, Tokyo (JP)

(73) Assignee: **Sony Corporation**, Tokyo (JP)

(\*\*) Term: **14 Years**

(21) Appl. No.: **29/198,914**

(22) Filed: **Feb. 9, 2004**

(51) **LOC (8) Cl.** ..... **14-03**

(52) **U.S. Cl.** ..... **D14/260**

(58) **Field of Classification Search** ..... D14/260,  
D14/366, 217, 156, 299, 239; 720/606, 659,  
720/661, 664, 665, 671, 681, 684, 691, 694;  
369/264

See application file for complete search history.

(56) **References Cited**

**U.S. PATENT DOCUMENTS**

5,696,753	A *	12/1997	Okushita	720/665
5,886,977	A *	3/1999	Ota et al.	720/665
5,926,451	A *	7/1999	Sofue	720/688
5,995,467	A *	11/1999	Ohyama et al.	369/71
D433,676	S	11/2000	Yamada et al.	
D436,947	S	1/2001	Yamada et al.	
6,185,180	B1 *	2/2001	Morishita	720/681
6,378,392	B1 *	4/2002	Dombrowski et al.	74/422
6,404,723	B1 *	6/2002	Morishita	369/112.23
6,430,143	B1 *	8/2002	Kajiyama et al.	720/671
6,567,370	B1 *	5/2003	Weisser	720/607
D475,365	S	6/2003	Yamamoto	

6,646,972	B1 *	11/2003	Morishita	369/71
2003/0031111	A1 *	2/2003	Osada et al.	369/219
2005/0005279	A1 *	1/2005	Storz	720/659
2005/0005281	A1 *	1/2005	Tabor et al.	720/671

**OTHER PUBLICATIONS**

Catalog "KSM-2101BDM/ADM", 1 sheet, Sony (Dec. 2003).

Catalog "KSM-213BCM", 1 sheet, Sony (Dec. 2003).

\* cited by examiner

*Primary Examiner*—Caron D. Veynar

*Assistant Examiner*—Austin Murphy

(74) *Attorney, Agent, or Firm*—Rader, Fishman & Grauer PLLC

(57) **CLAIM**

The ornamental design for a pickup for disc player, as shown and described.

**DESCRIPTION**

FIG. 1 is a perspective view of a pickup for disc player showing my new design;

FIG. 2 is a front elevational view thereof;

FIG. 3 is a rear elevational view thereof;

FIG. 4 is a left side elevational view thereof;

FIG. 5 is a right side elevational view thereof;

FIG. 6 is a top plan view thereof; and,

FIG. 7 is a bottom plan view thereof.

The broken lines depicted in FIGS. 3, 4, 6 and 7 form no part of the claimed design.

**1 Claim, 4 Drawing Sheets**

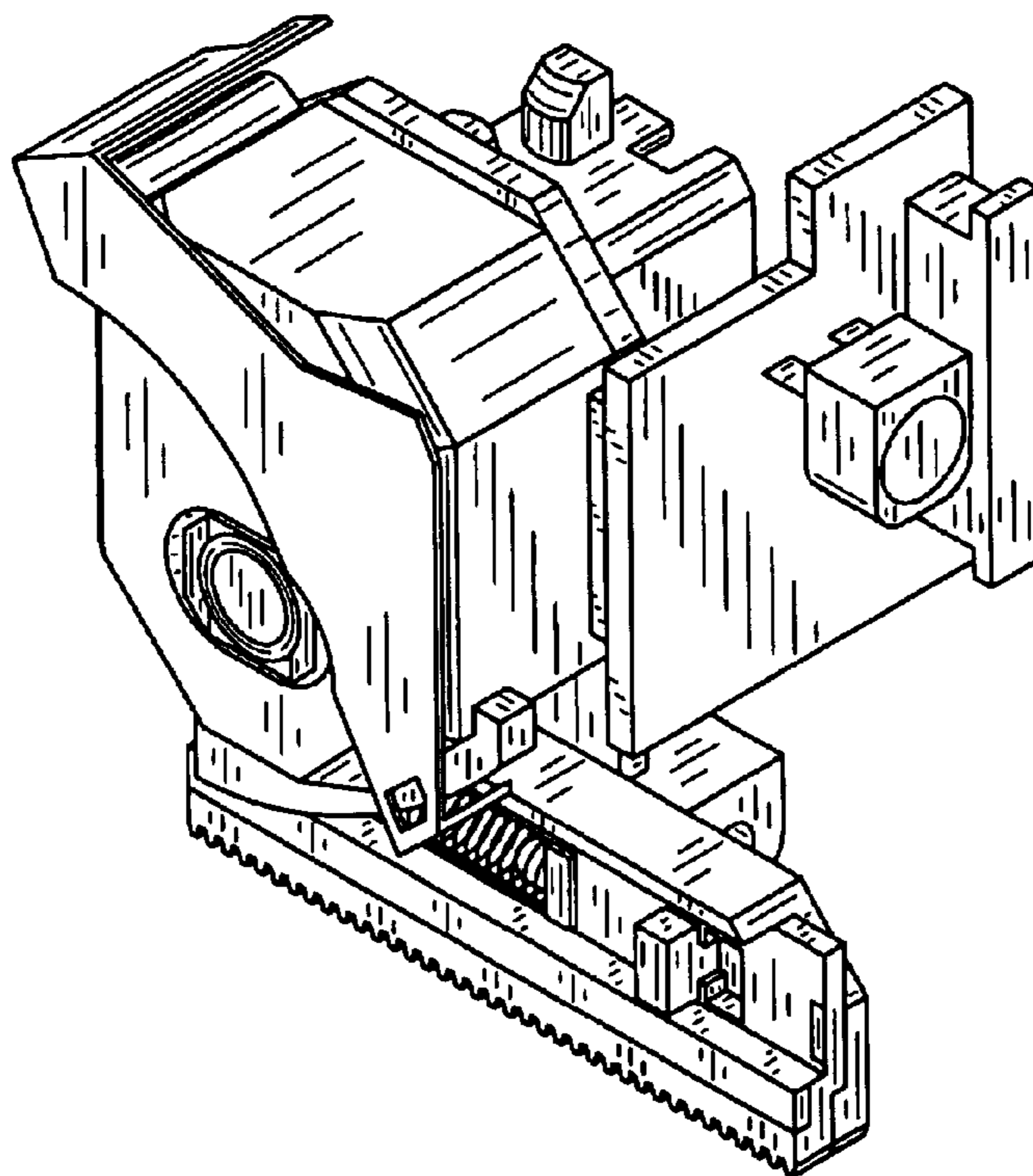


FIG. 1

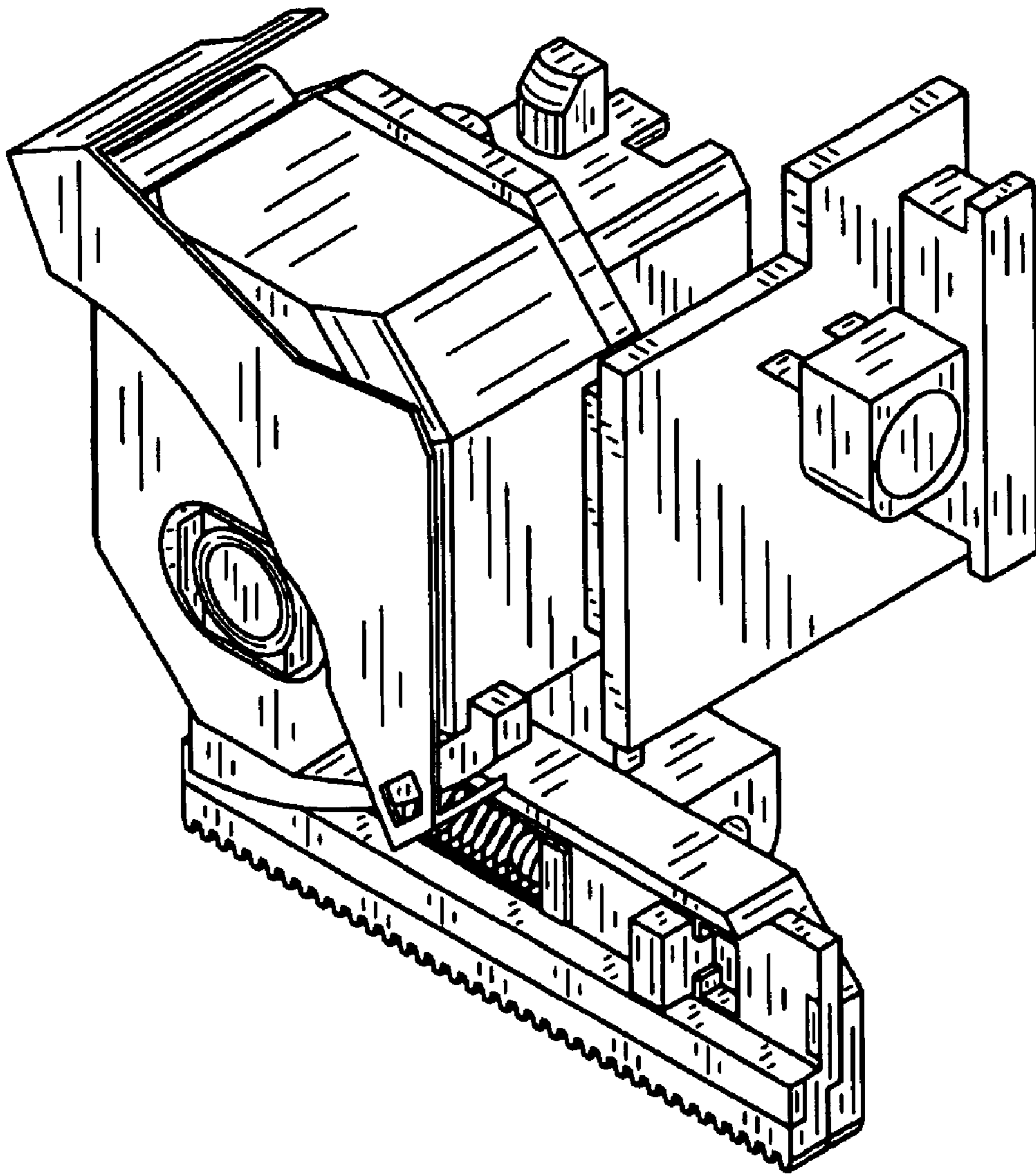


FIG.2

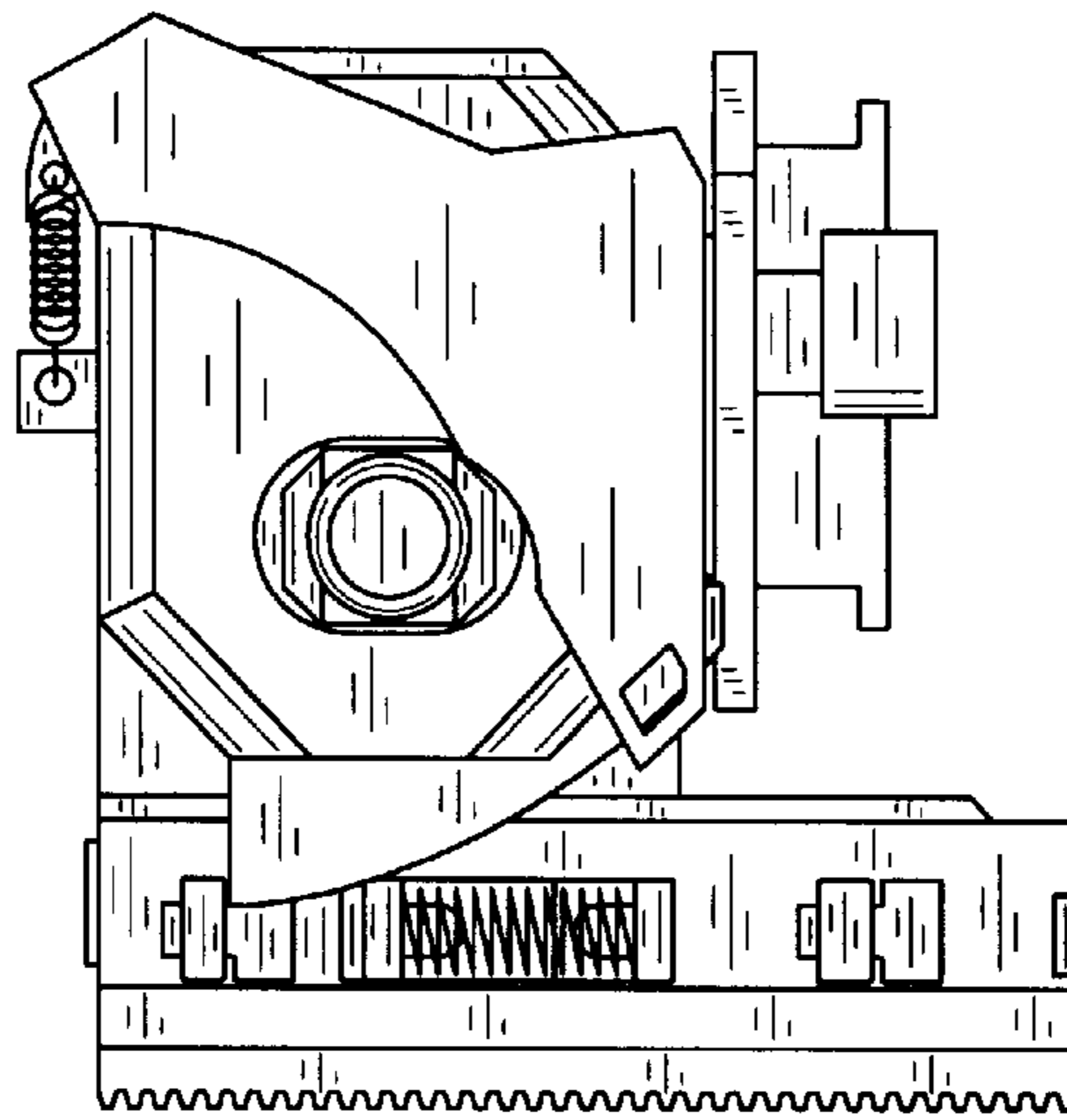


FIG.3

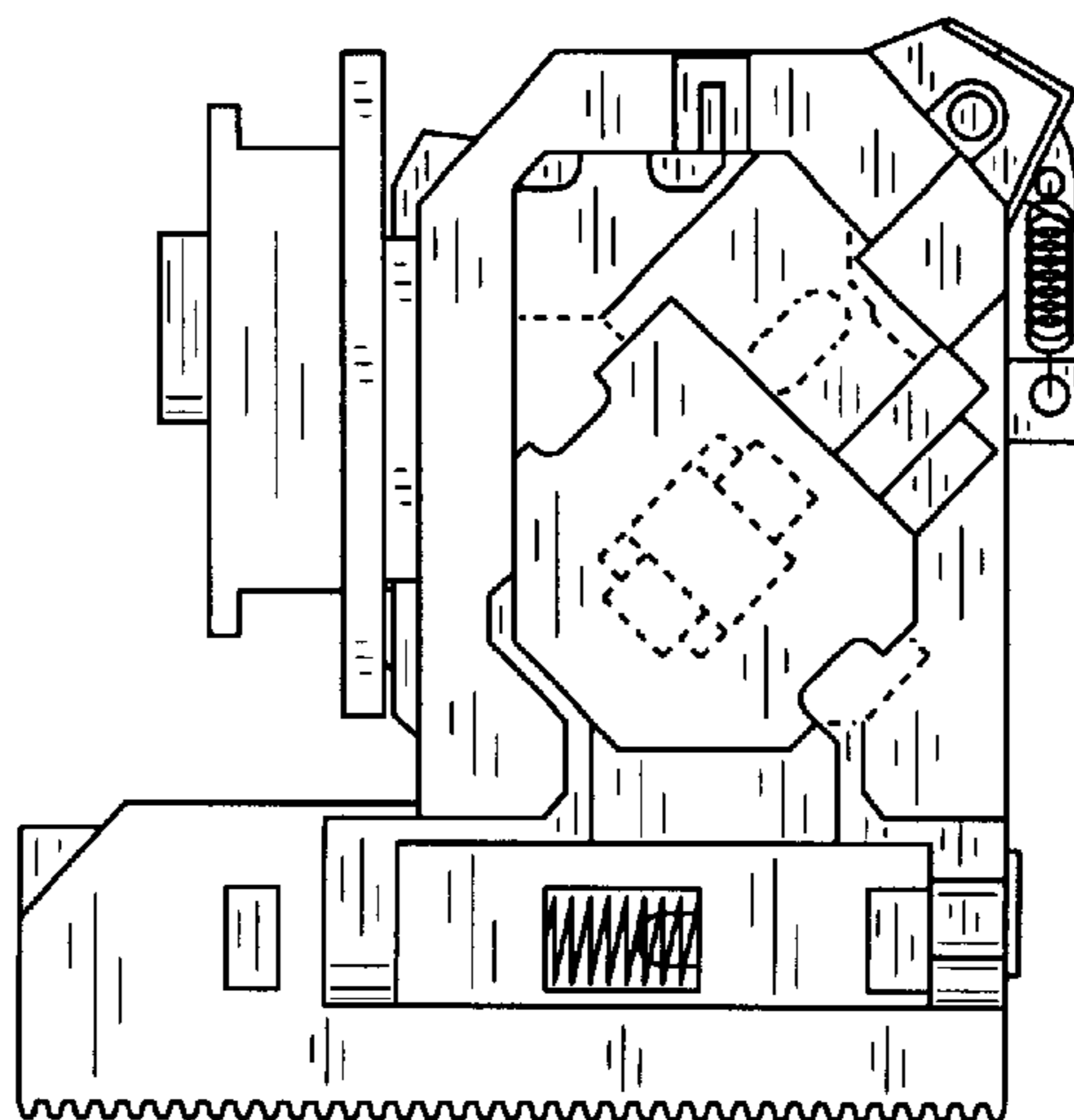


FIG.4

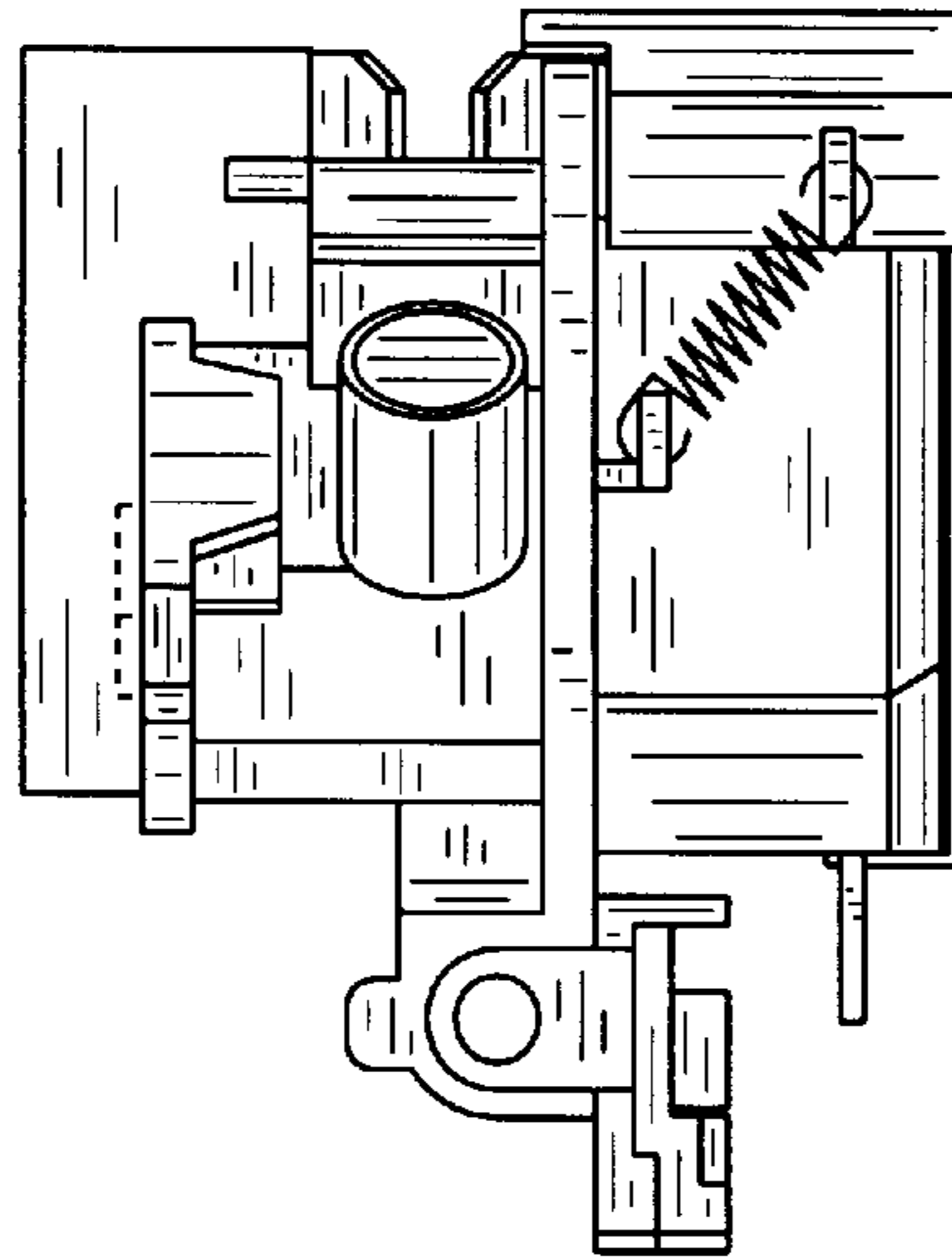


FIG.5

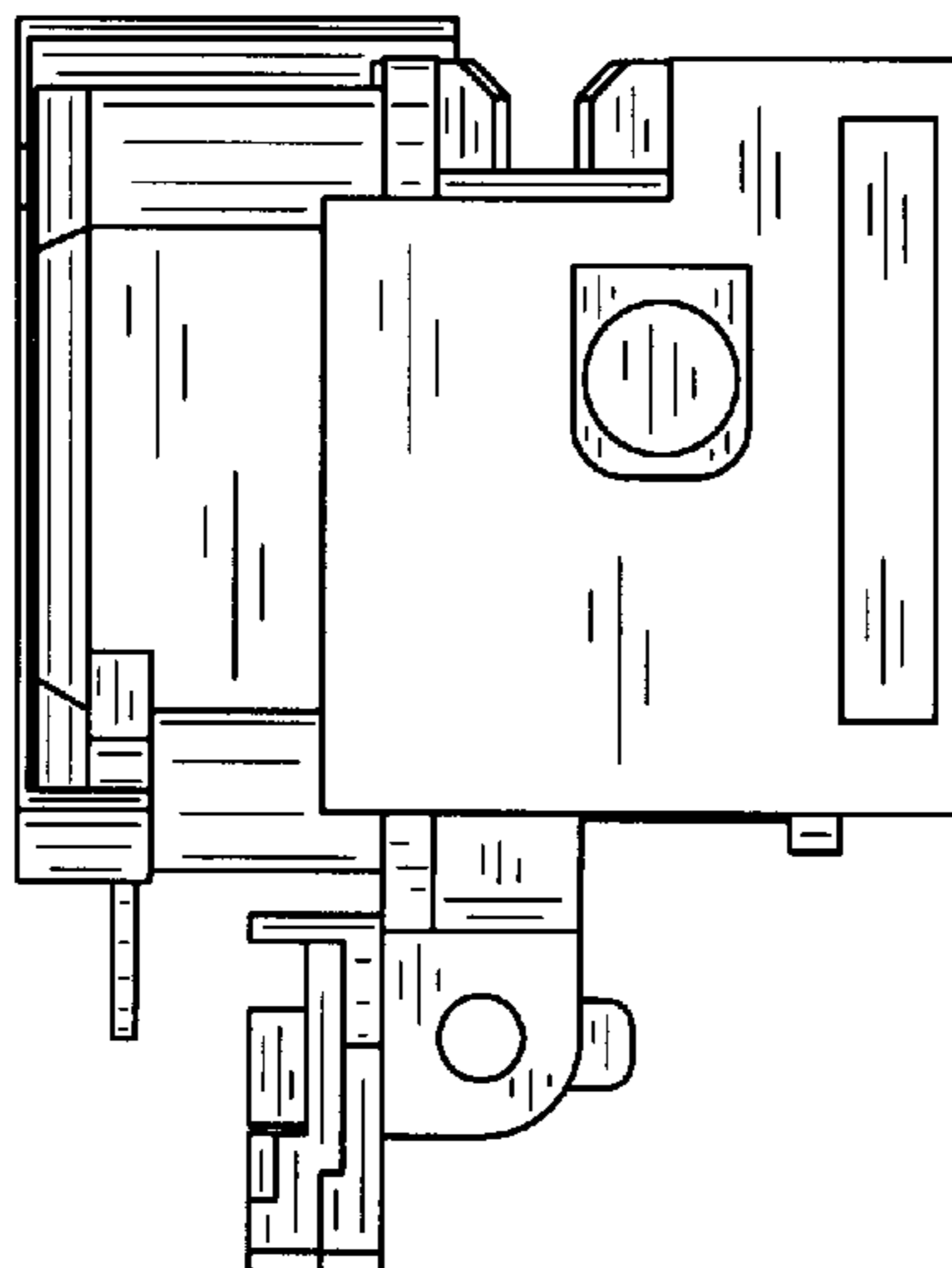


FIG.6

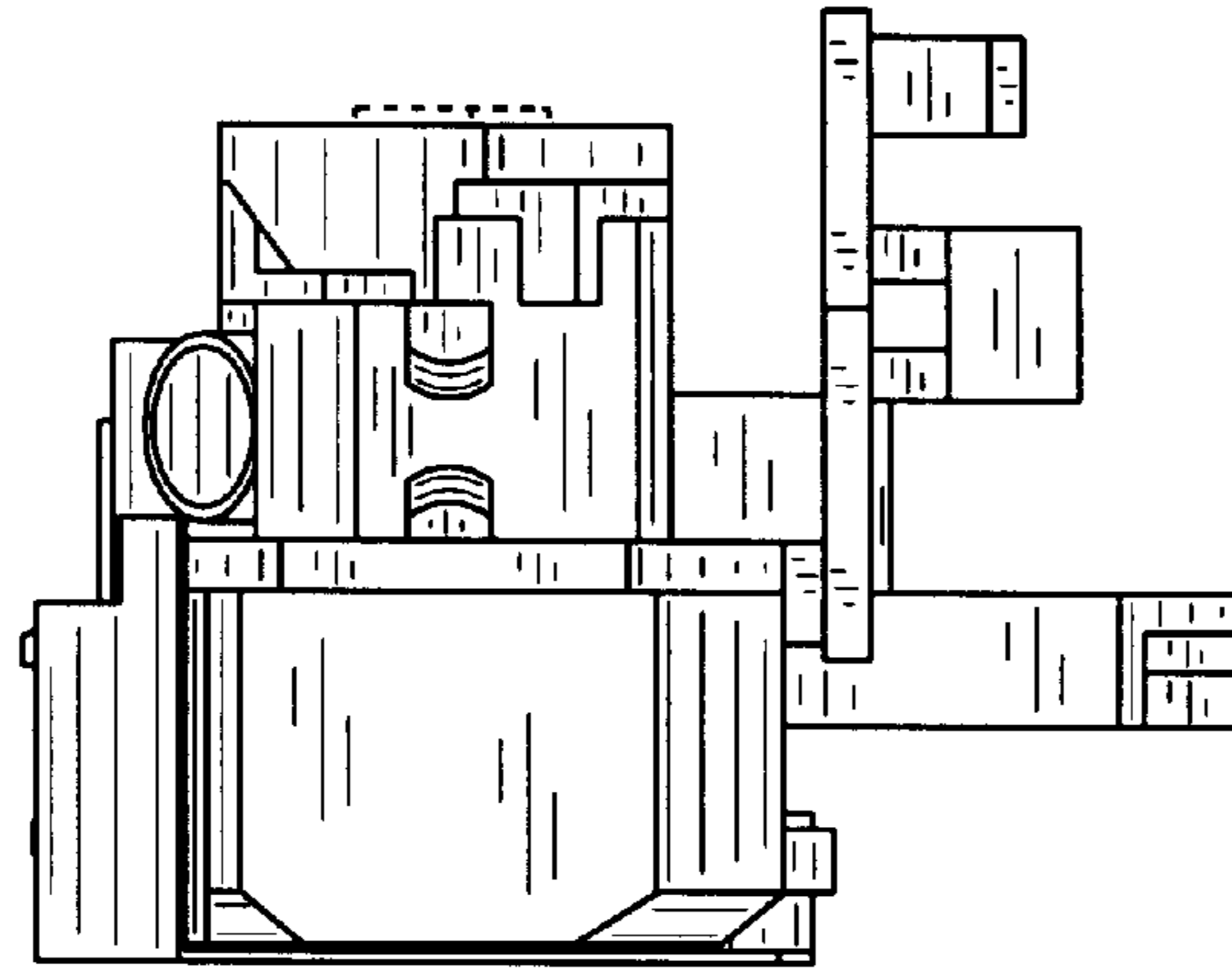


FIG.7

