



US00D519111S

(12) **United States Design Patent**
Miranda

(10) **Patent No.:** **US D519,111 S**
(45) **Date of Patent:** **** Apr. 18, 2006**

(54) **MICROPHONE BODY WITH ACTUATOR
BUTTON**

(75) Inventor: **Stephen Alfred Miranda**, Daisy Hill
(AU)

(73) Assignee: **Innotech Pty Ltd.**, Queensland (AU)

(**) Term: **14 Years**

(21) Appl. No.: **29/202,631**

(22) Filed: **Apr. 1, 2004**

(30) **Foreign Application Priority Data**

Oct. 1, 2003 (AU) 3402/2003

(51) **LOC (8) Cl.** **14-01**

(52) **U.S. Cl.** **D14/225**

(58) **Field of Classification Search** D14/137,
D14/205-206, 223-229; 181/158, 242; 379/368,
379/430, 431, 432; 381/181, 355-360, 361,
381/369, 122, 161, 168, 169

See application file for complete search history.

(56) **References Cited**

U.S. PATENT DOCUMENTS

D203,187 S	*	12/1965	Deschamps	D14/225
D234,957 S	*	4/1975	Huntington et al.	D14/225
D245,692 S	*	9/1977	Imazeki	D14/225
D307,907 S	*	5/1990	Siddoway et al.	D14/225
D376,599 S	*	12/1996	Lindeman et al.	D14/225
D378,820 S	*	4/1997	Tokiyama et al.	D14/225
5,701,355 A	*	12/1997	Brannan et al.	381/361
D416,912 S	*	11/1999	Hsieh	D14/225
D440,560 S	*	4/2001	Tokiyama et al.	D14/225
D448,019 S	*	9/2001	Cebe et al.	D14/225
D459,718 S	*	7/2002	Ma et al.	D14/225
D494,960 S	*	8/2004	Lum	D14/225

* cited by examiner

Primary Examiner—Paula A. Greene

(74) *Attorney, Agent, or Firm*—Boyle, Fredrickson,
Newholm, Stein & Gratz, S.C.

(57) **CLAIM**

I claim the ornamental Design for a microphone body with actuator button, as shown and described.

DESCRIPTION

FIG. 1 is a perspective view of a first embodiment of the microphone body with actuator button;

FIG. 2 is a first side view of the microphone body with actuator button of FIG. 1;

FIG. 3 is a second side view of the microphone body with actuator button of FIG. 1, opposite the side shown in FIG. 2;

FIG. 4 is a third side view of the microphone body with actuator button of FIG. 1;

FIG. 5 is a fourth side view of the microphone body with actuator button of FIG. 1, opposite the side shown in FIG. 4;

FIG. 6 is a top view of the microphone body with actuator button of FIG. 1;

FIG. 7 is a bottom view of the microphone body with actuator button of FIG. 1;

FIG. 8 is a perspective view of a second embodiment of the microphone body with actuator button;

FIG. 9 is a first side view of the microphone body with actuator button of FIG. 8;

FIG. 10 is a second side view of the microphone body with actuator button of FIG. 8, opposite the side shown in FIG. 9;

FIG. 11 is a third side view of the microphone body with actuator button of FIG. 8;

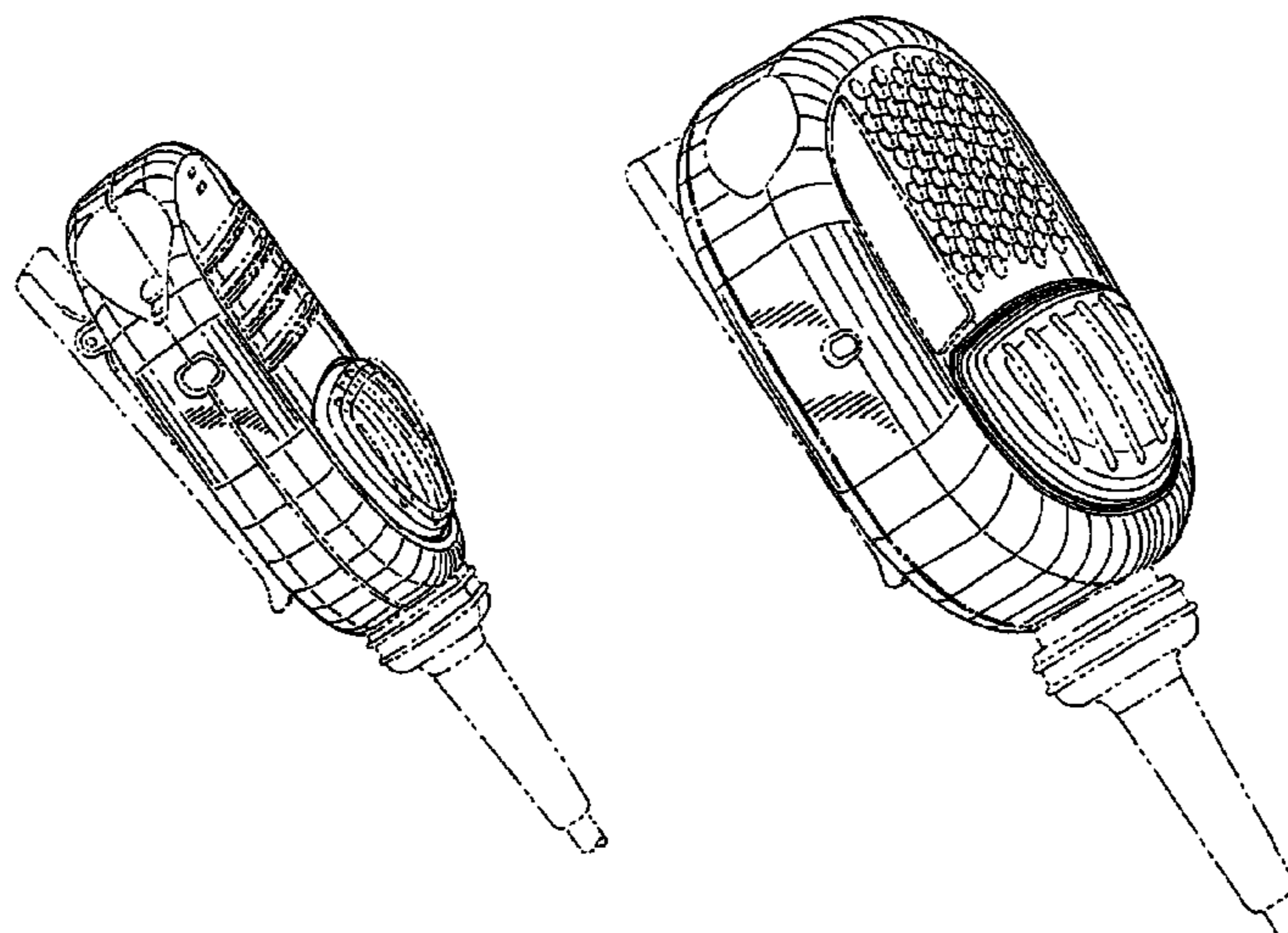
FIG. 12 is a fourth side view of the microphone body with actuator button of FIG. 8, opposite the side shown in FIG. 11;

FIG. 13 is a top view of the microphone body with actuator button of FIG. 8; and,

FIG. 14 is a bottom view of the microphone body with actuator button of FIG. 8.

The broken lines are for illustrative purposes only and forms no part of the claimed design.

1 Claim, 5 Drawing Sheets



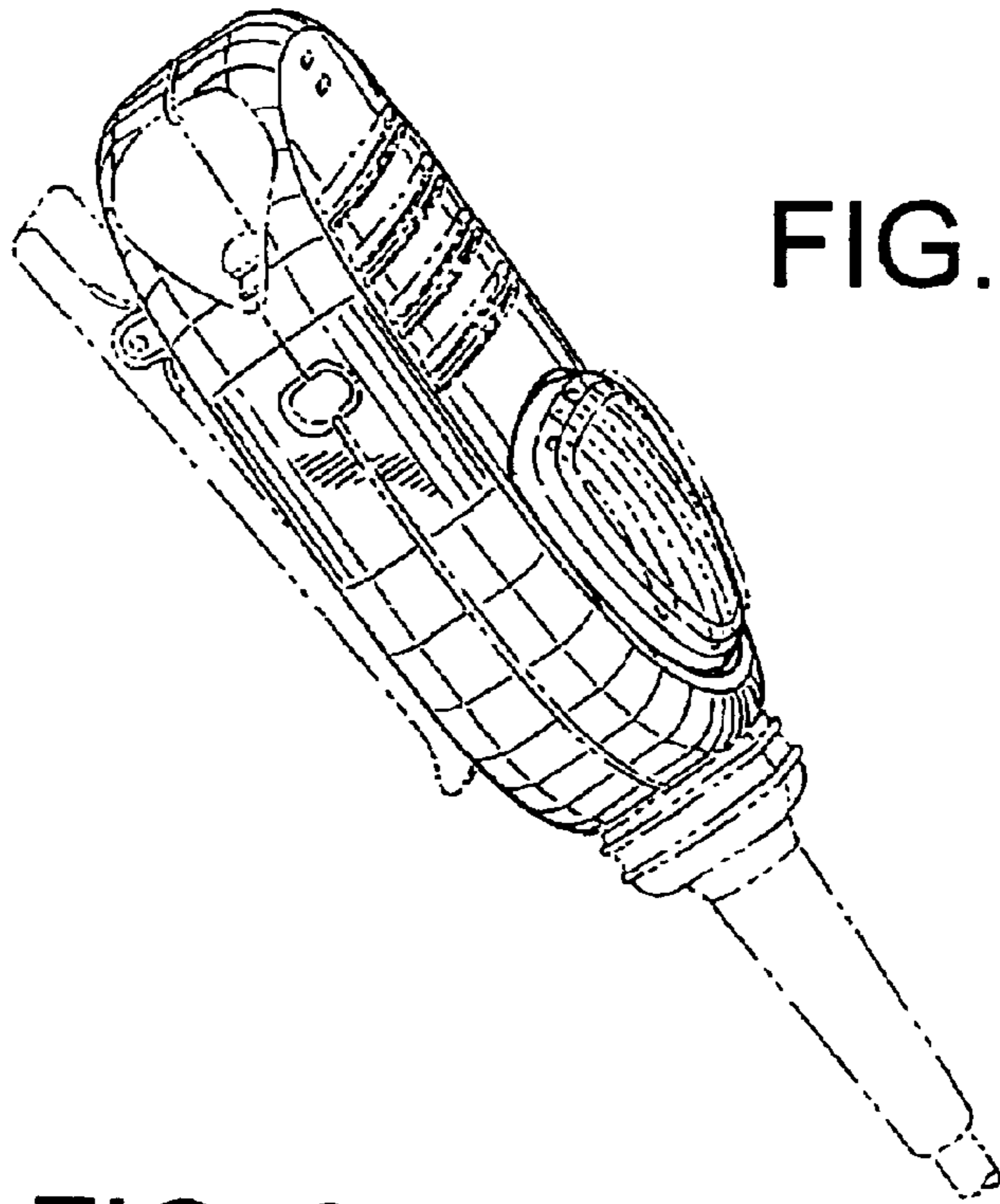


FIG. 1

FIG. 2

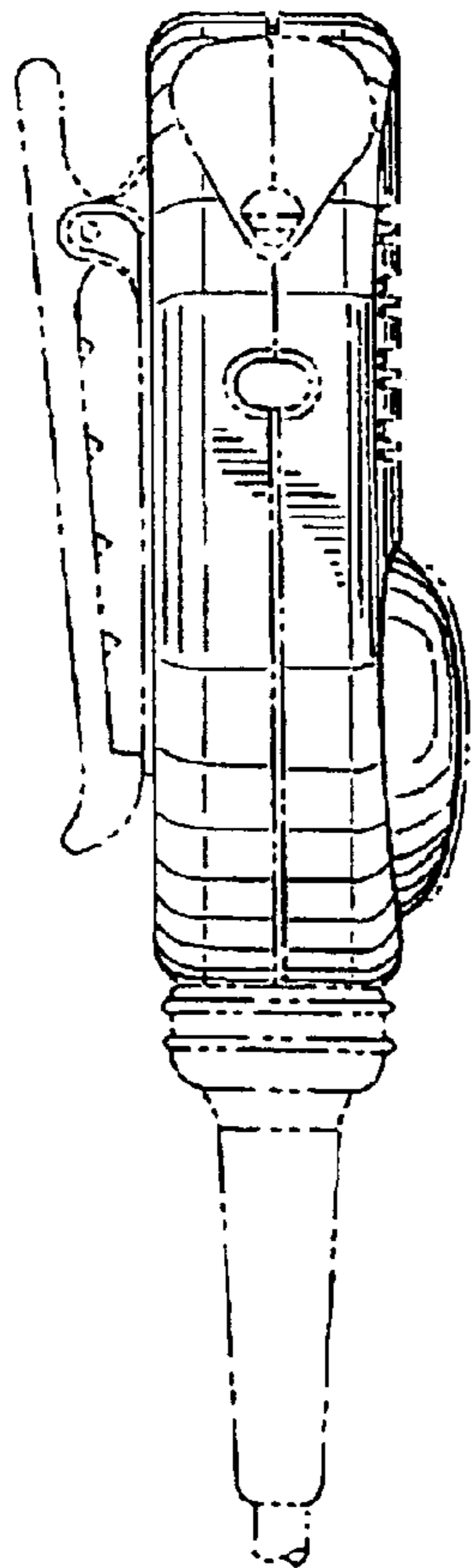


FIG. 3

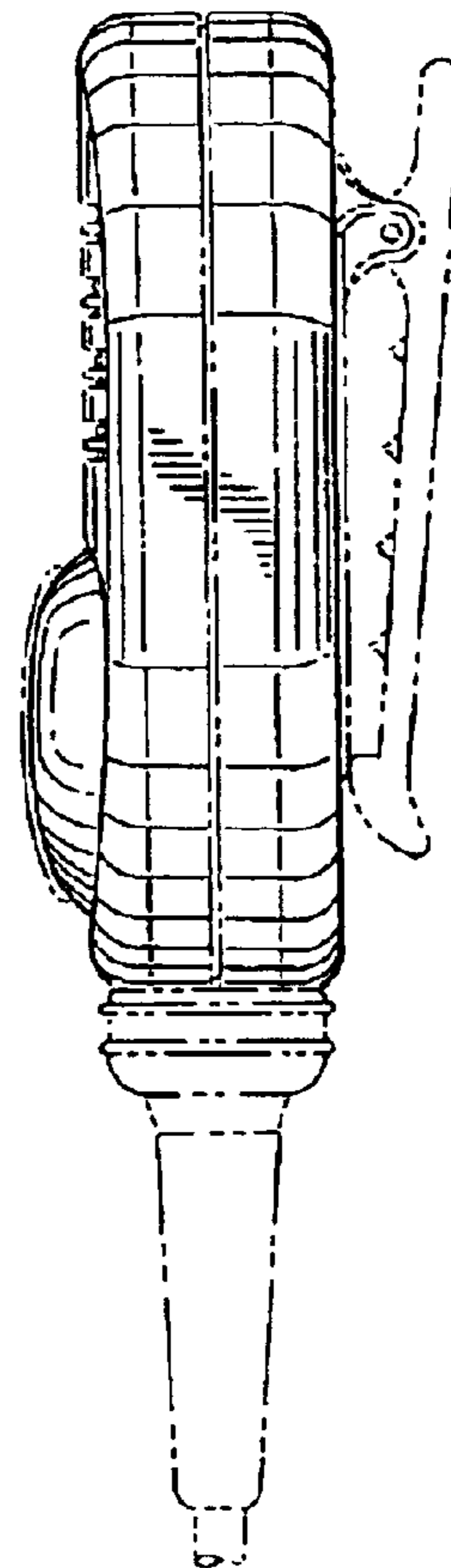


FIG. 4

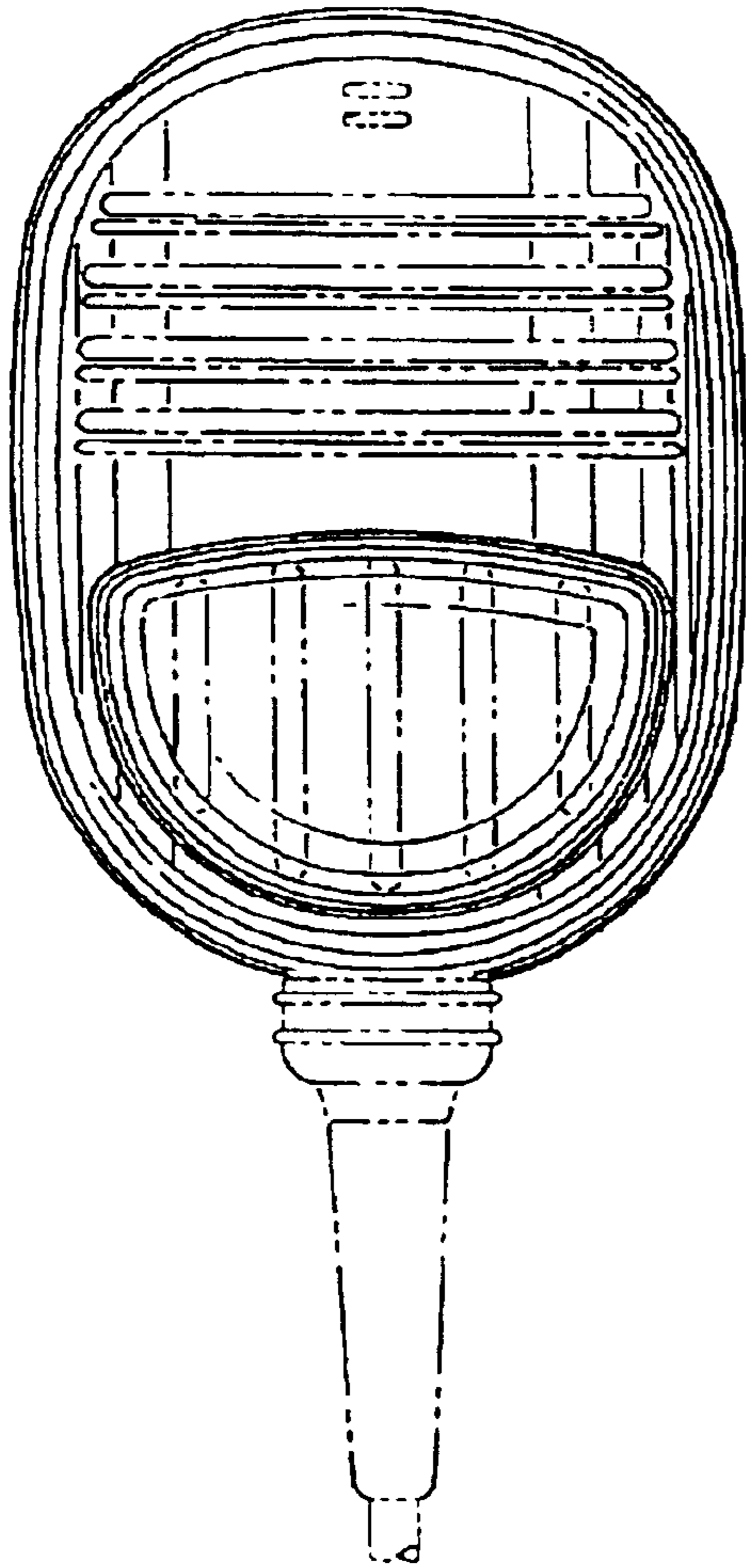


FIG. 5

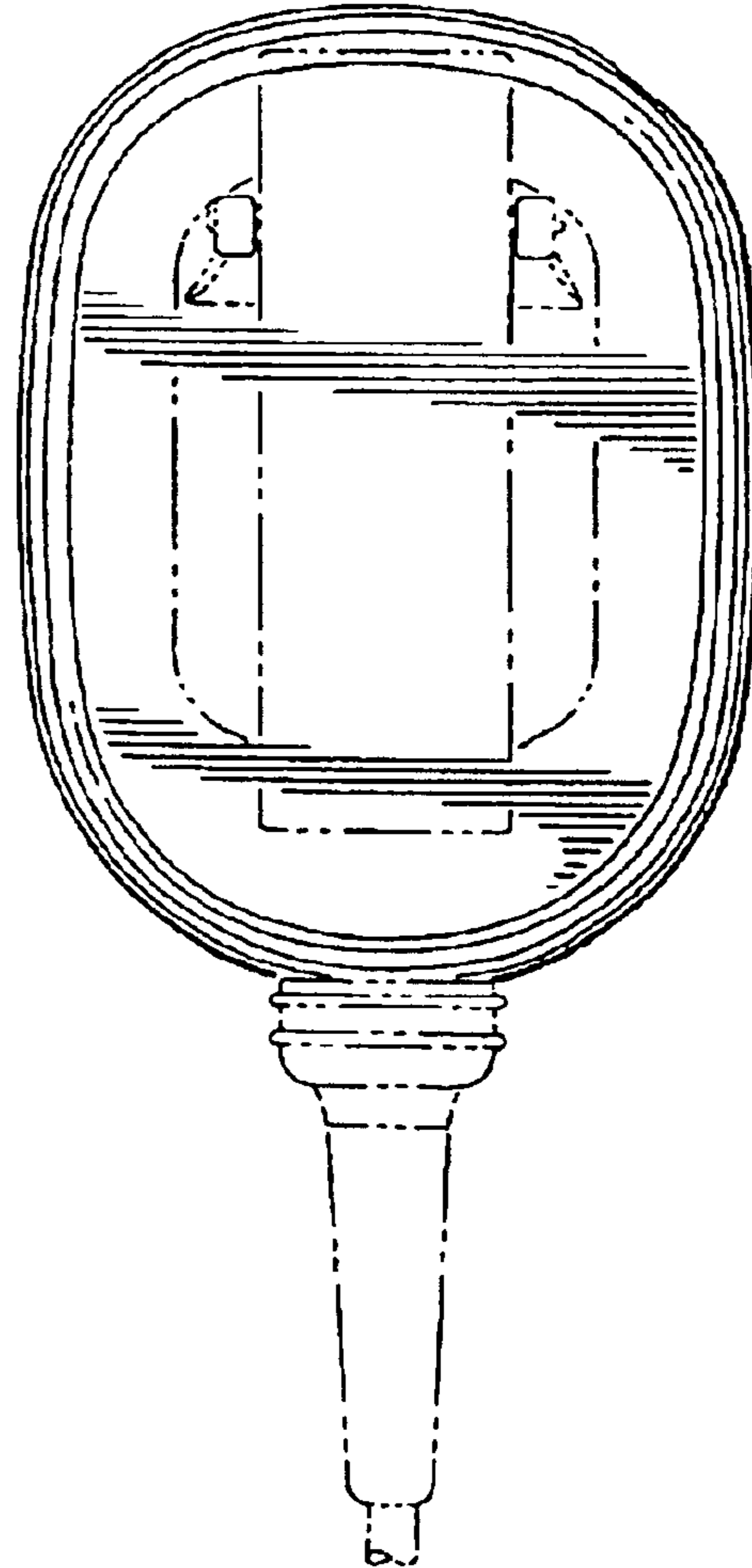


FIG. 6

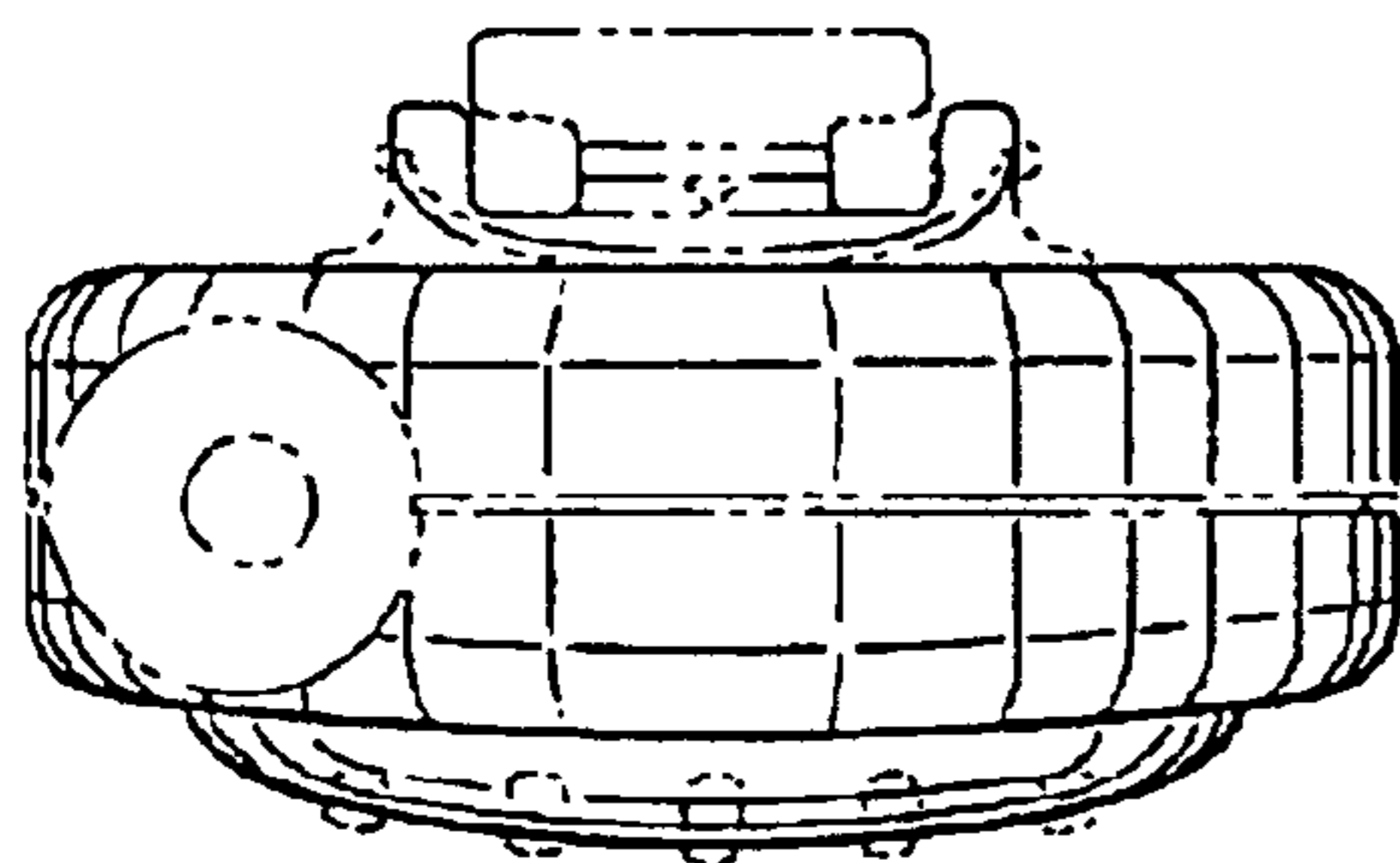


FIG. 7

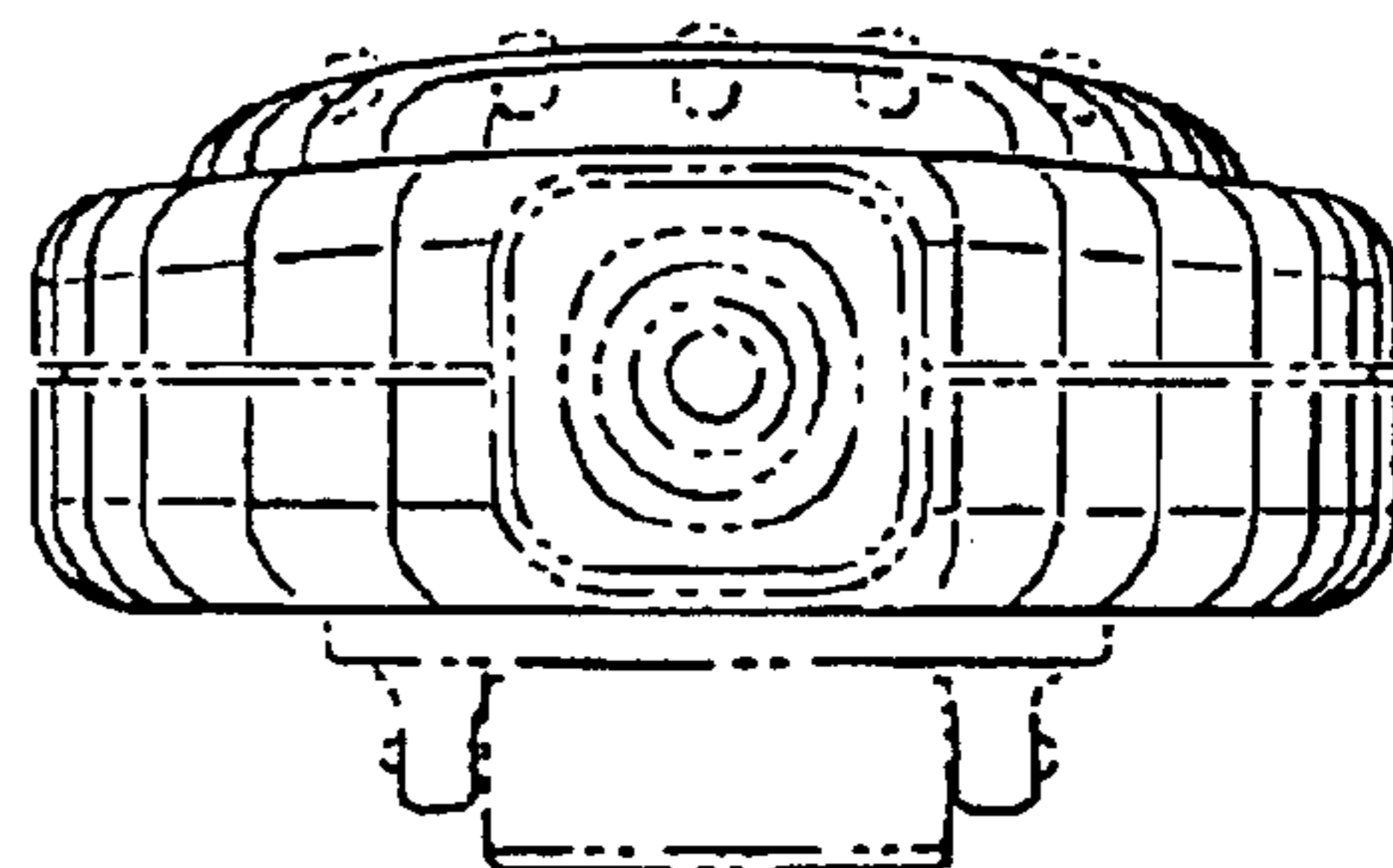


FIG. 8

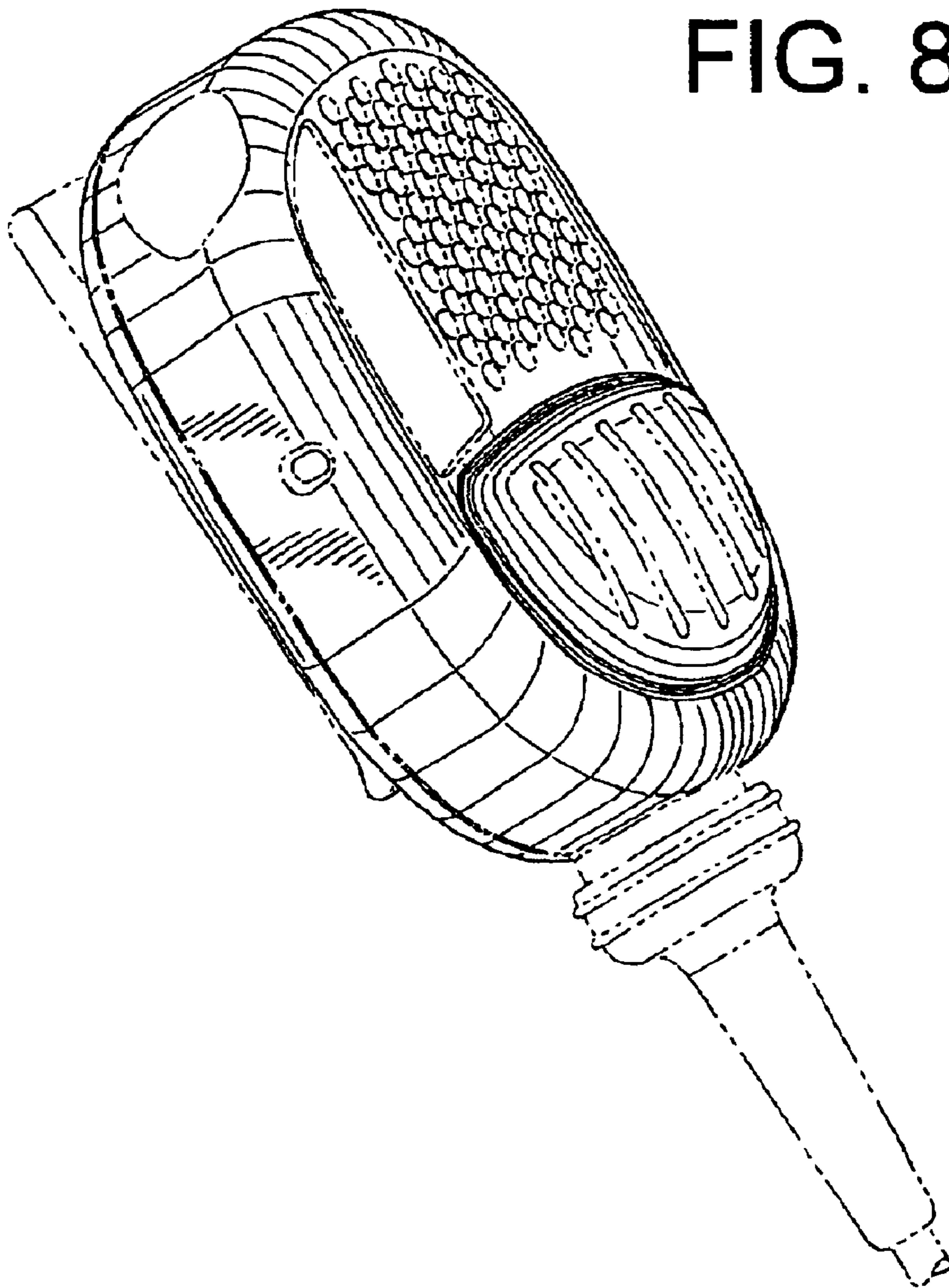


FIG. 9

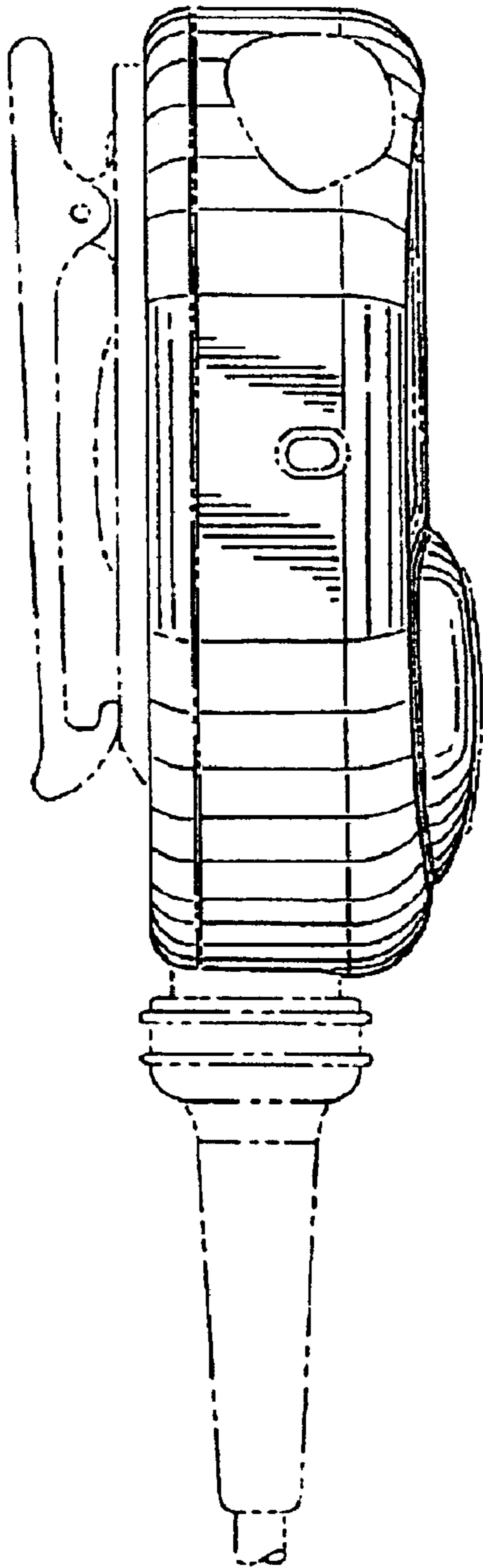


FIG. 10

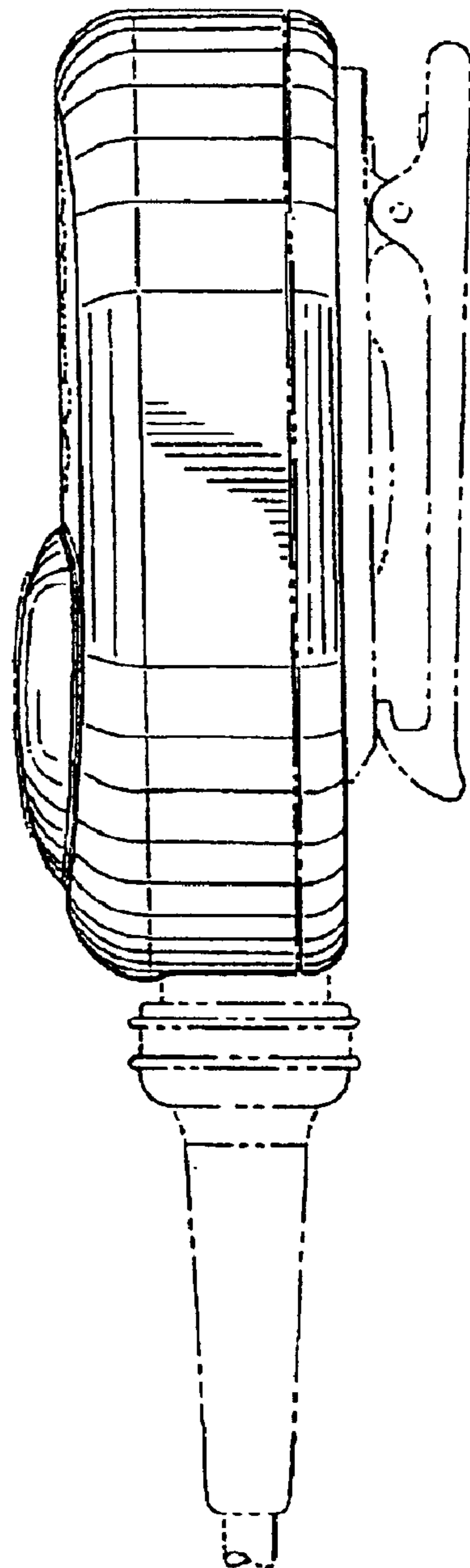


FIG. 11

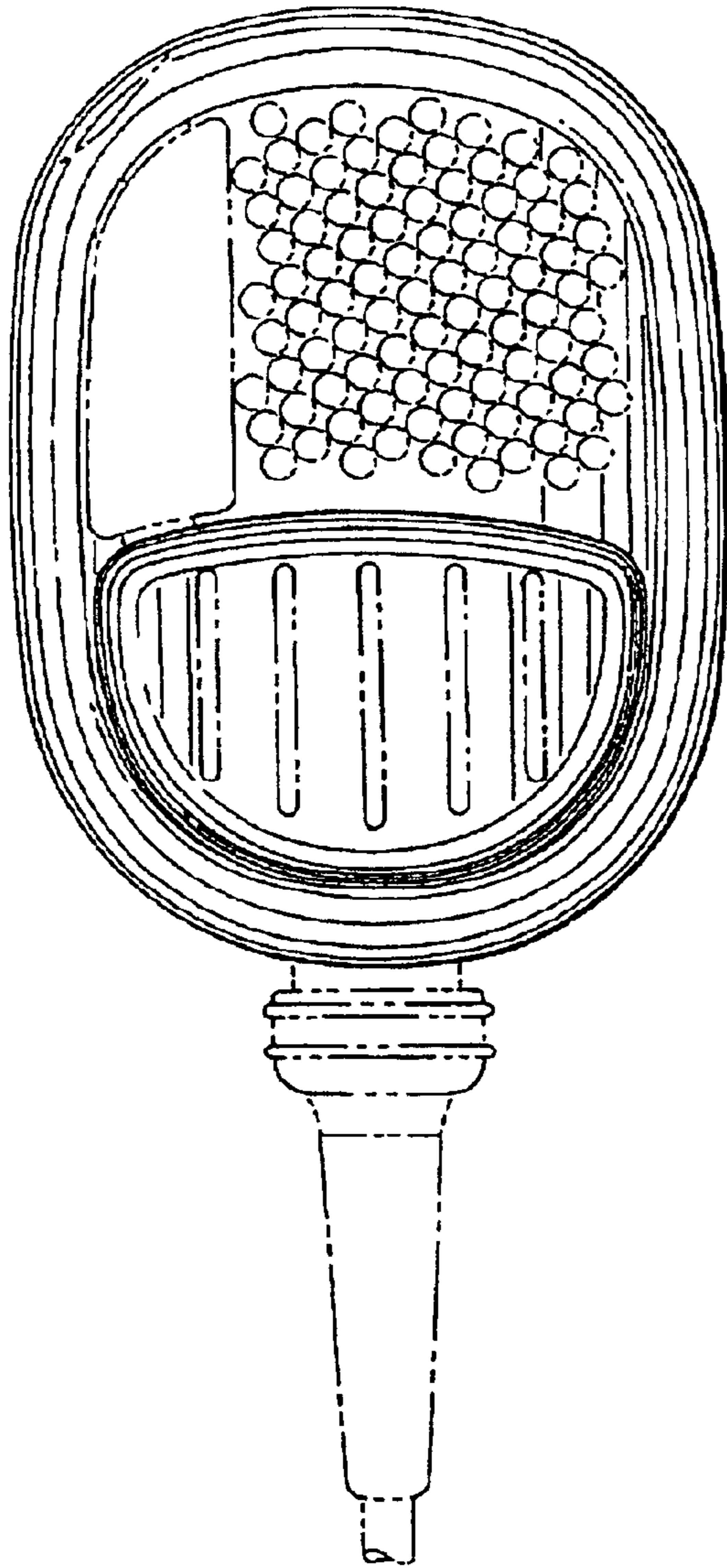


FIG. 12

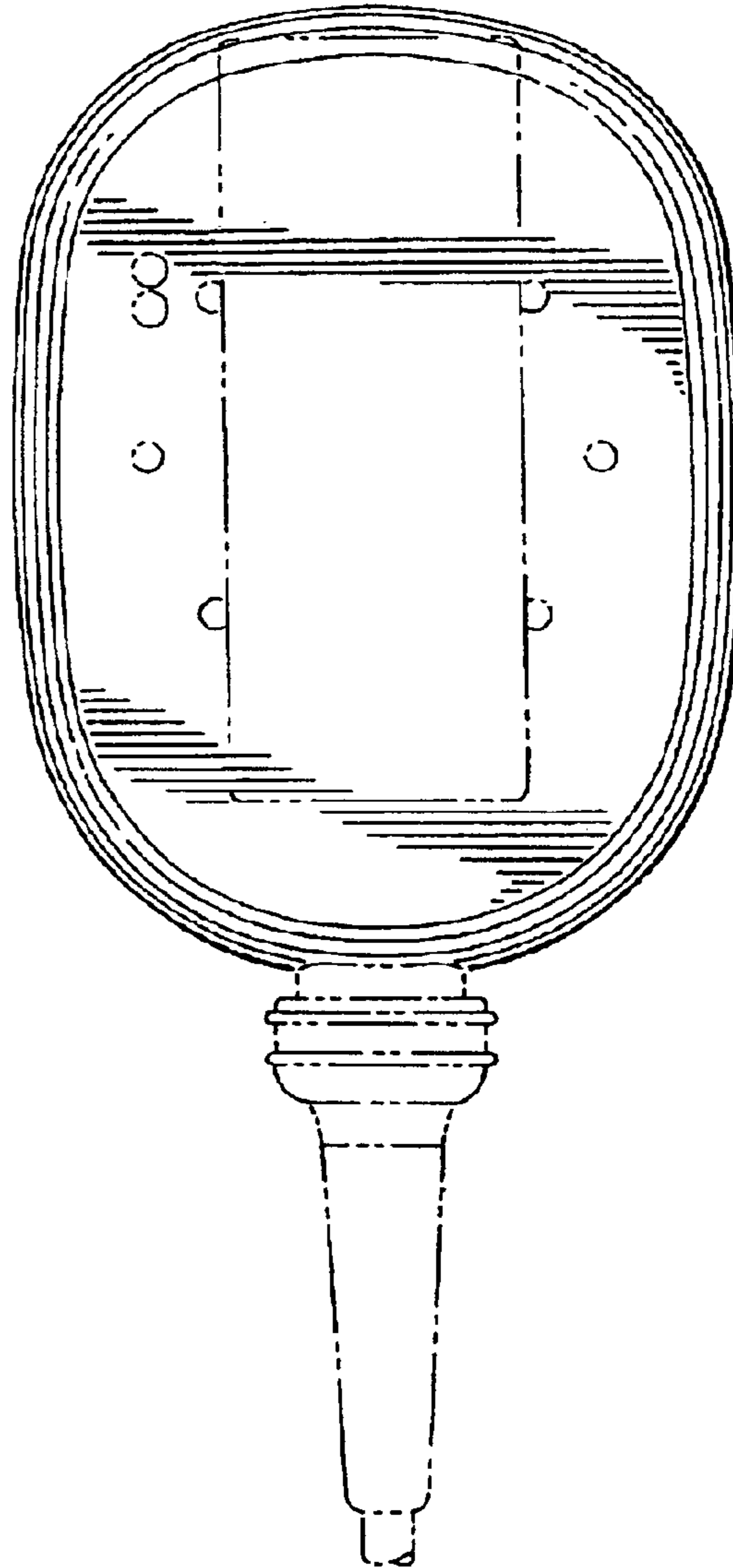


FIG. 13

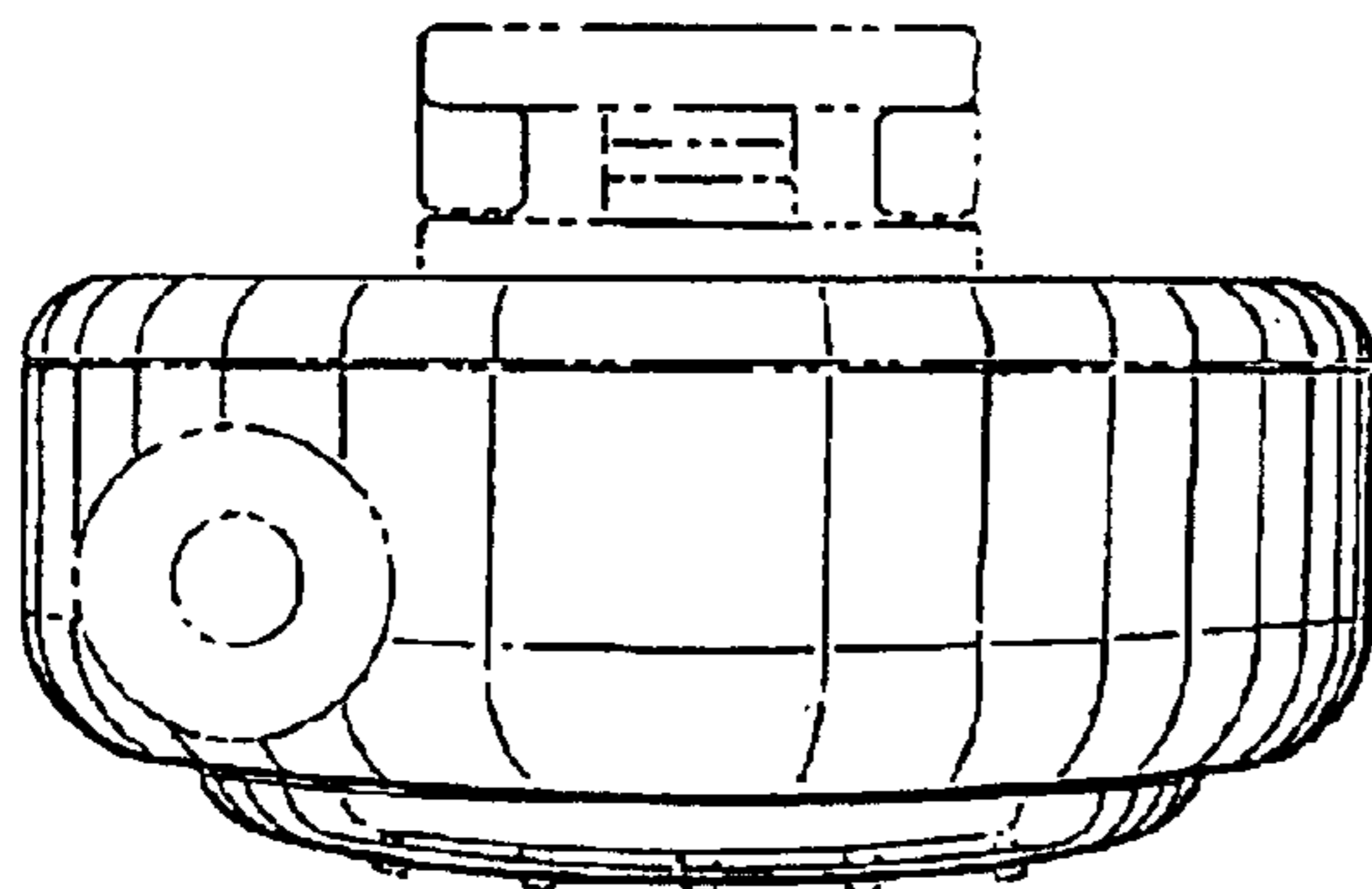


FIG. 14

