



US00D519110S

(12) **United States Design Patent**
Komiyama

(10) **Patent No.:** **US D519,110 S**
(45) **Date of Patent:** **** Apr. 18, 2006**

(54) **HEADPHONE**

6,724,906 B1 * 4/2004 Naksen et al. 381/379

(75) Inventor: **Jun Komiyama**, Tokyo (JP)

(73) Assignee: **Sony Corporation**, Tokyo (JP)

(**) Term: **14 Years**

(21) Appl. No.: **29/227,495**

(22) Filed: **Apr. 13, 2005**

(51) **LOC (8) Cl.** **14-01**

(52) **U.S. Cl.** **D14/223**

(58) **Field of Classification Search** D14/192,
D14/205, 206, 223; D2/894, 866, 883; 2/171,
2/209, 410, 423; 181/129, 130; 381/370,
381/371, 374, 376, 377, 378, 379, 380, 381;
403/107, 393

See application file for complete search history.

(56) **References Cited**

U.S. PATENT DOCUMENTS

2,434,251	A	*	1/1948	Warnke	381/379
5,068,923	A	*	12/1991	Sjoqvist	2/209
D423,012	S		4/2000	Yasutomi		
D443,872	S		6/2001	Mori		
D445,240	S	*	7/2001	Persson	D2/866
D457,512	S		5/2002	Yoneda		
6,434,250	B1	*	8/2002	Tsuhako	381/374

OTHER PUBLICATIONS

Web page "Sony eCatalog, MDR-CD2000" <http://www.e-cat.sony.co.jp/avacc/headphone/acc/index.cfm?PD=817&KM=MDR-CD2000>, 2 sheets, Sony (Mar. 2005).

* cited by examiner

Primary Examiner—Paula A. Greene

(74) *Attorney, Agent, or Firm*—Rader, Fishman & Grauer PLLC

(57) **CLAIM**

The ornamental design for a headphone, as shown and described.

DESCRIPTION

FIG. 1 is a perspective view of a headphone showing my new design;

FIG. 2 is a front elevational view thereof;

FIG. 3 is a rear elevational view thereof;

FIG. 4 is a left side elevational view thereof;

FIG. 5 is a right side elevational view thereof;

FIG. 6 is a top plan view thereof; and

FIG. 7 is a bottom plan view thereof.

The broken lines in FIGS. 1 through 7 are for illustrative purposes only and forms no part of the claimed design.

1 Claim, 5 Drawing Sheets

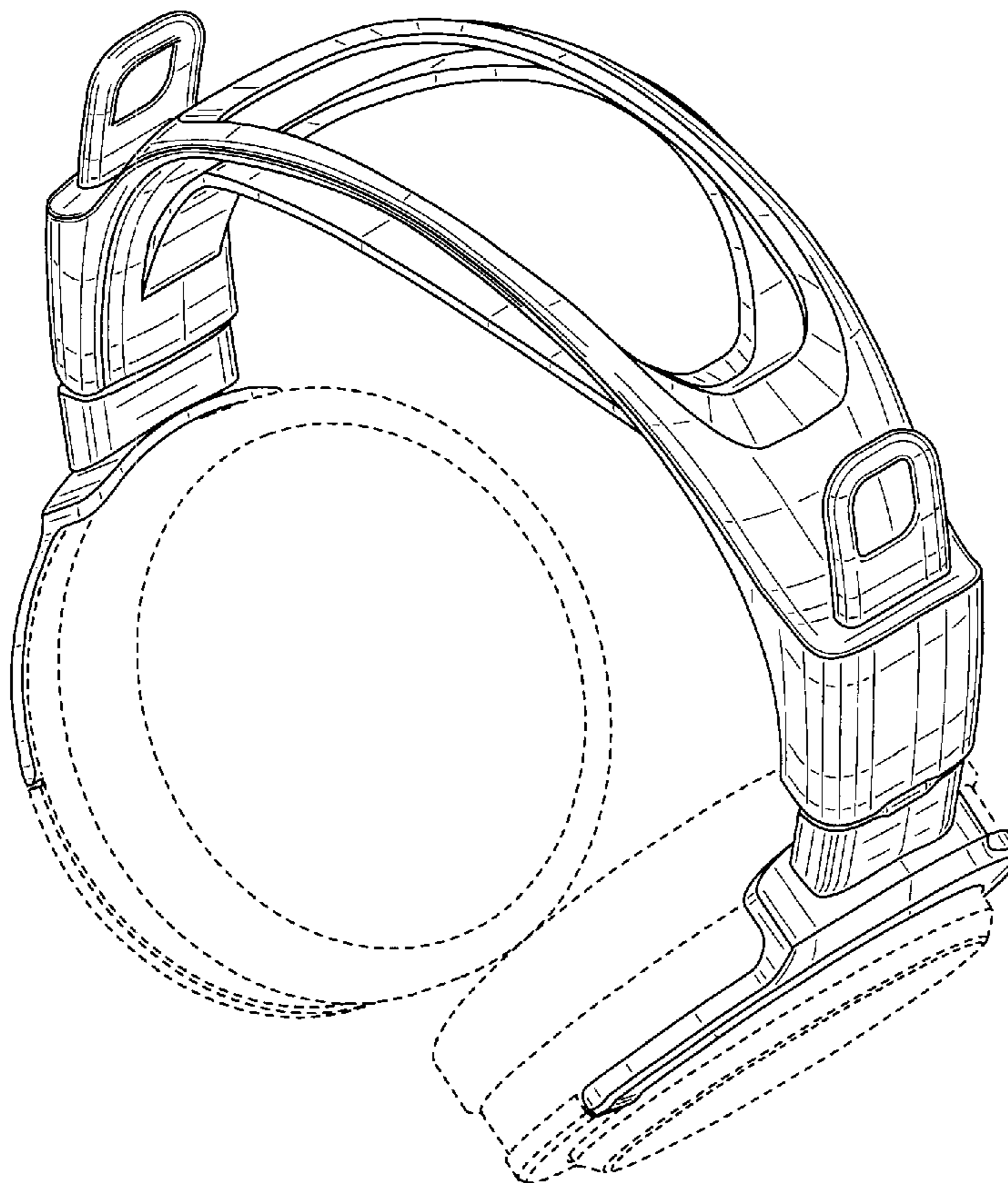


Fig. 1

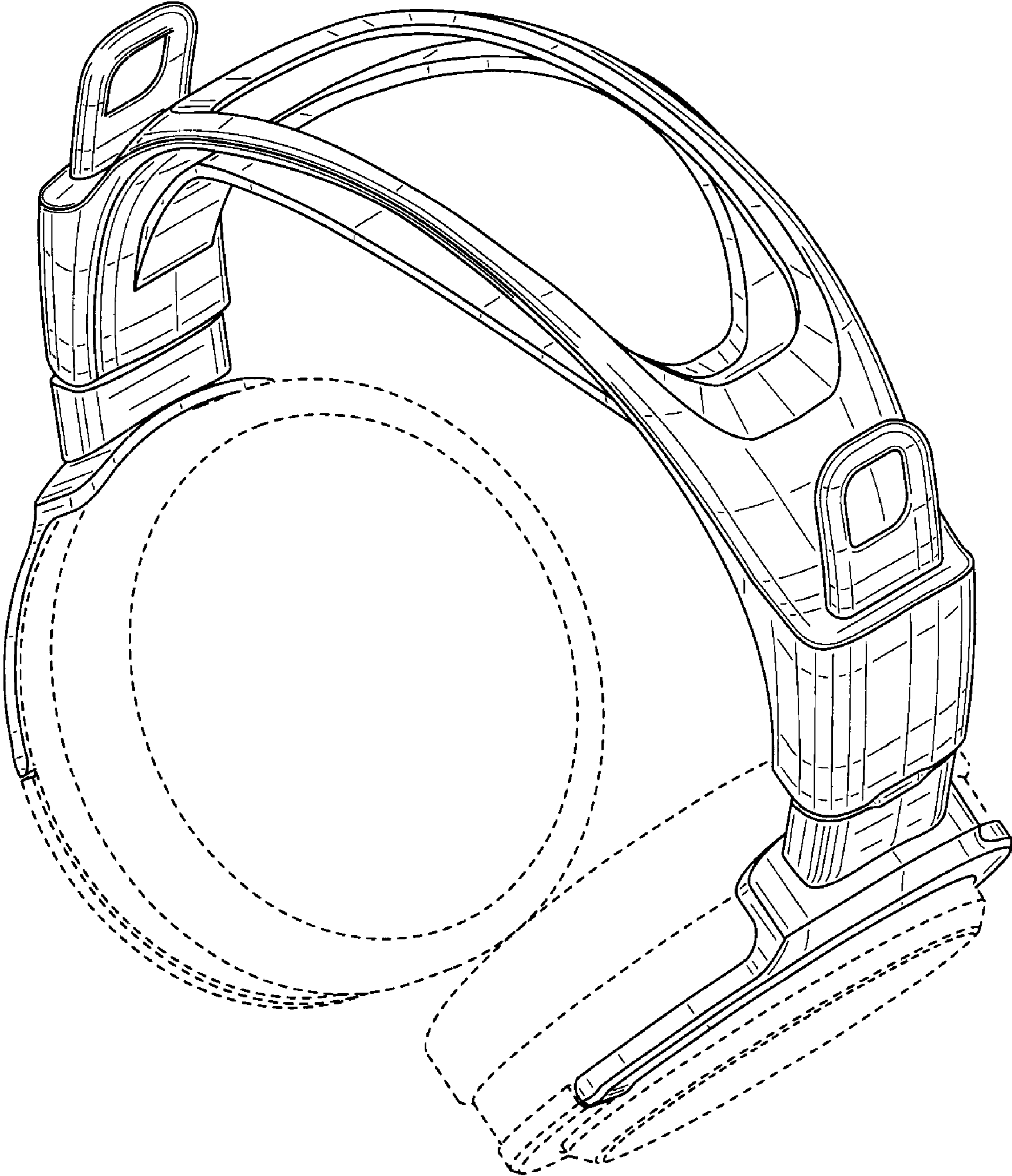


Fig.2



Fig.3



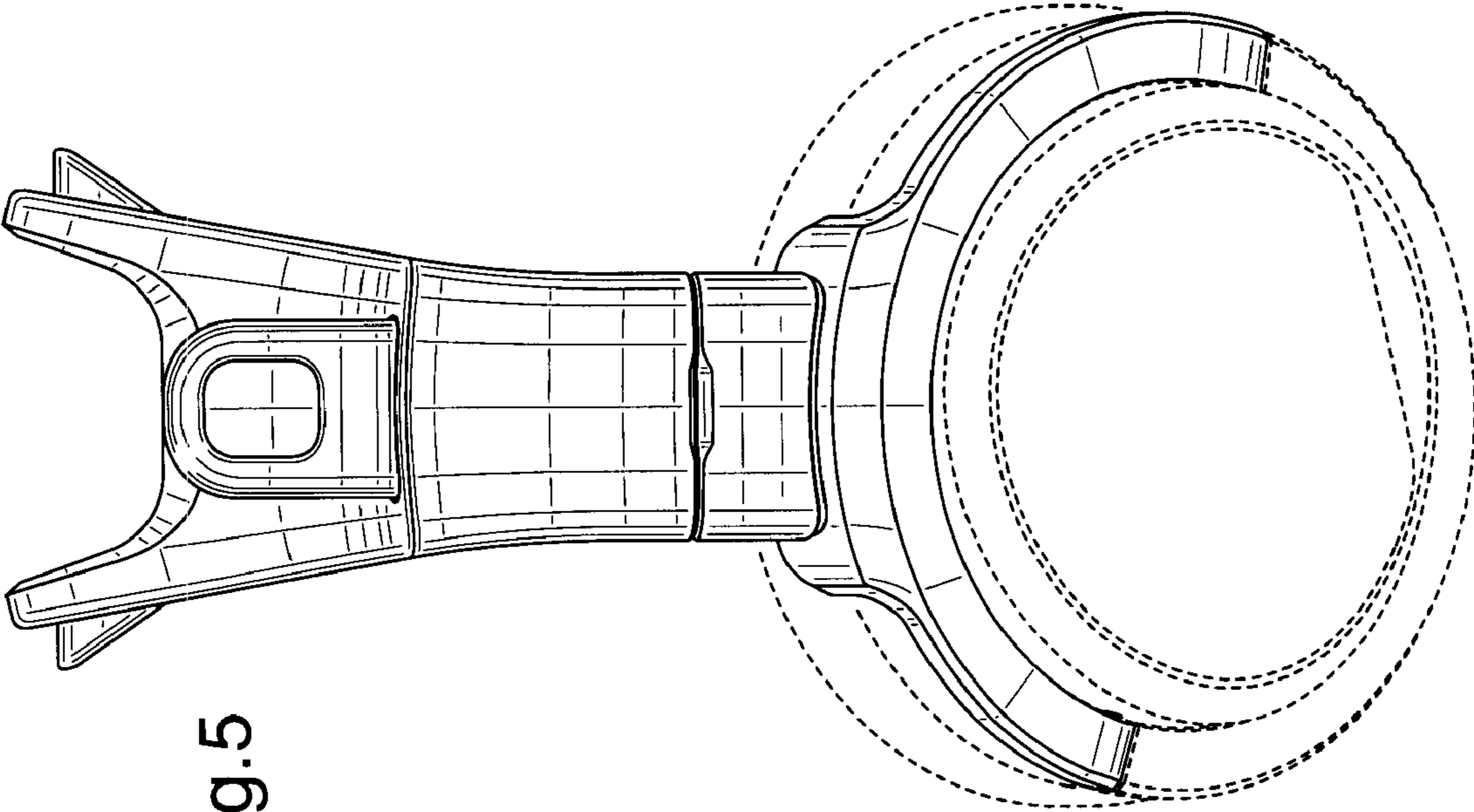


Fig. 5

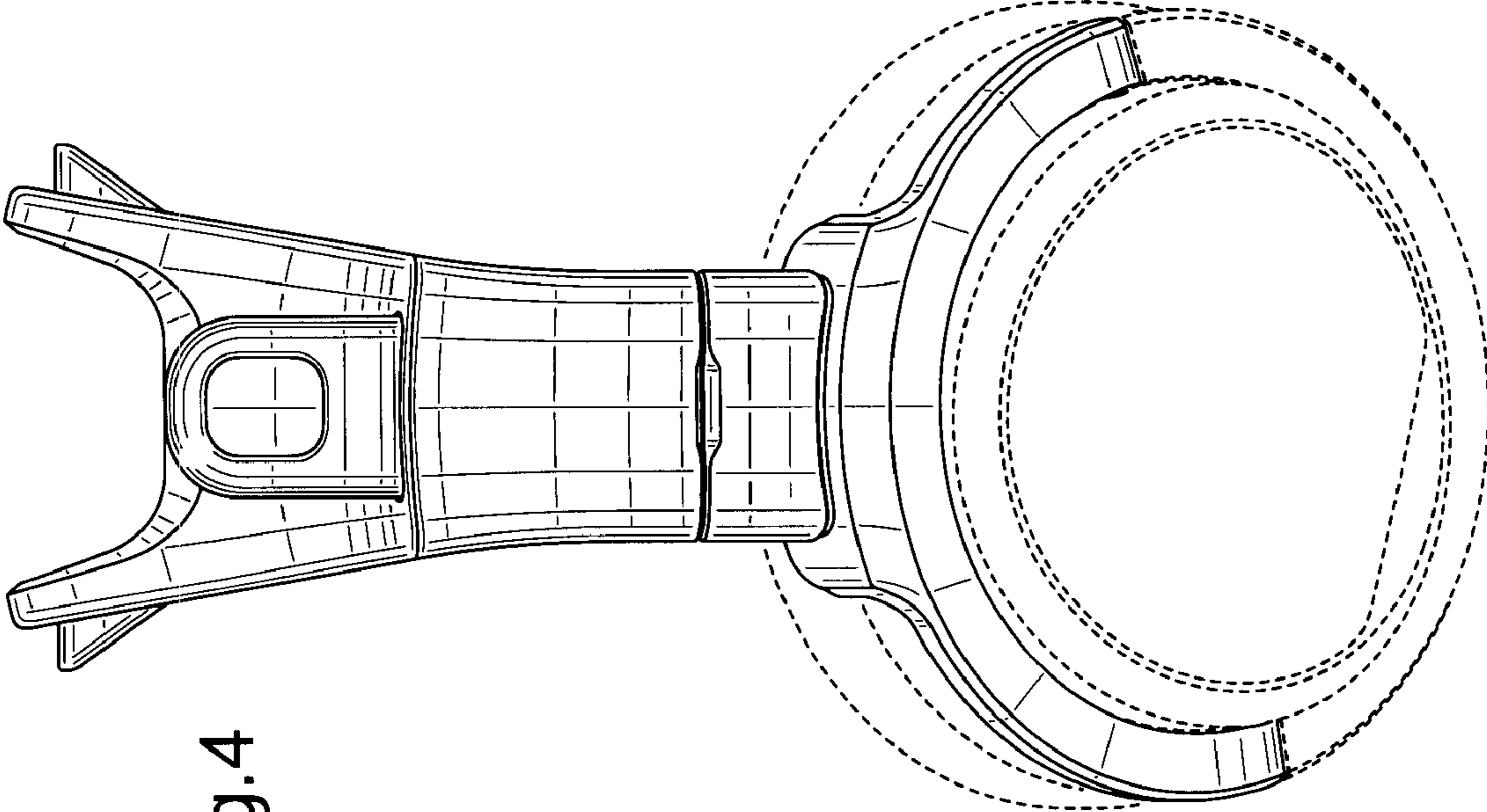


Fig. 4

Fig.6

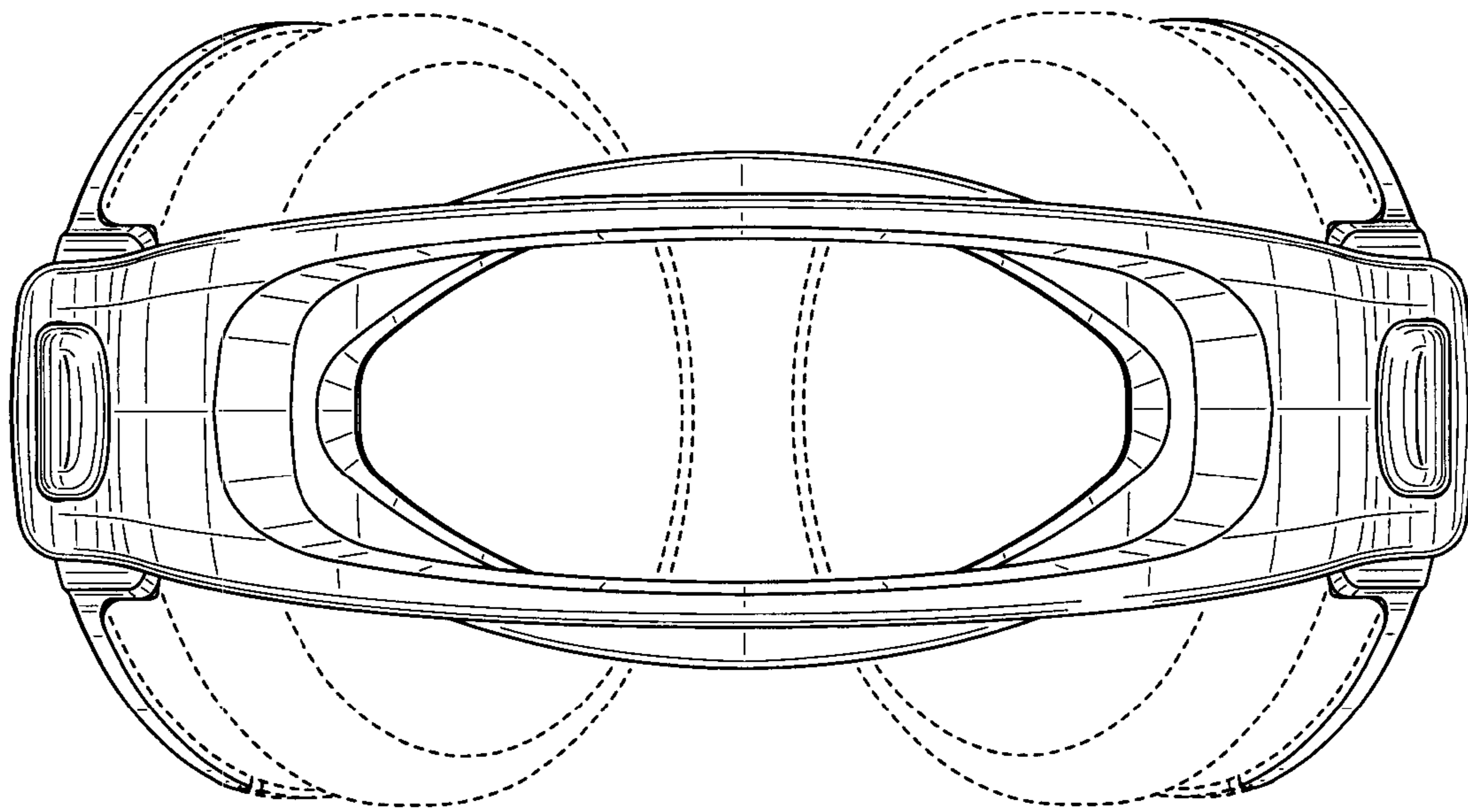


Fig.7

