



US00D519105S

(12) **United States Design Patent**
Masui

(10) **Patent No.:** **US D519,105 S**

(45) **Date of Patent:** **** Apr. 18, 2006**

(54) **SPEAKER**

(75) Inventor: **Kirio Masui**, Tokyo (JP)

(73) Assignee: **Sony Corporation**, Tokyo (JP)

(**) Term: **14 Years**

(21) Appl. No.: **29/221,232**

(22) Filed: **Jan. 14, 2005**

(51) **LOC (8) Cl.** **14-01**

(52) **U.S. Cl.** **D14/214**

(58) **Field of Classification Search** D14/204,
D14/207, 209–216, 356; 181/143–144, 147–148,
181/150, 157, 198–199, 151, 153; 381/300–302,
381/306, 333, 345, 361–364, 386–388, 332,
381/336

See application file for complete search history.

(56) **References Cited**

U.S. PATENT DOCUMENTS

D379,629 S * 6/1997 Watson et al. D14/215
D421,608 S 3/2000 Shintani

D437,307 S 2/2001 Tejima
D439,238 S * 3/2001 Mackie et al. D14/214
D467,572 S 12/2002 Narita
D484,115 S * 12/2003 Nishii et al. D14/215

* cited by examiner

Primary Examiner—Nanda Bondade
(74) *Attorney, Agent, or Firm*—Rader, Fishman & Grauer
PLLC

(57) **CLAIM**

The ornamental design for a speaker, as shown.

DESCRIPTION

FIG. 1 is a perspective view of a speaker showing my new design;
FIG. 2 is a front elevational view thereof;
FIG. 3 is a rear elevational view thereof;
FIG. 4 is a left side elevational view thereof;
FIG. 5 is a right side elevational view thereof;
FIG. 6 is a top plan view thereof; and,
FIG. 7 is a bottom plan view thereof.

1 Claim, 4 Drawing Sheets

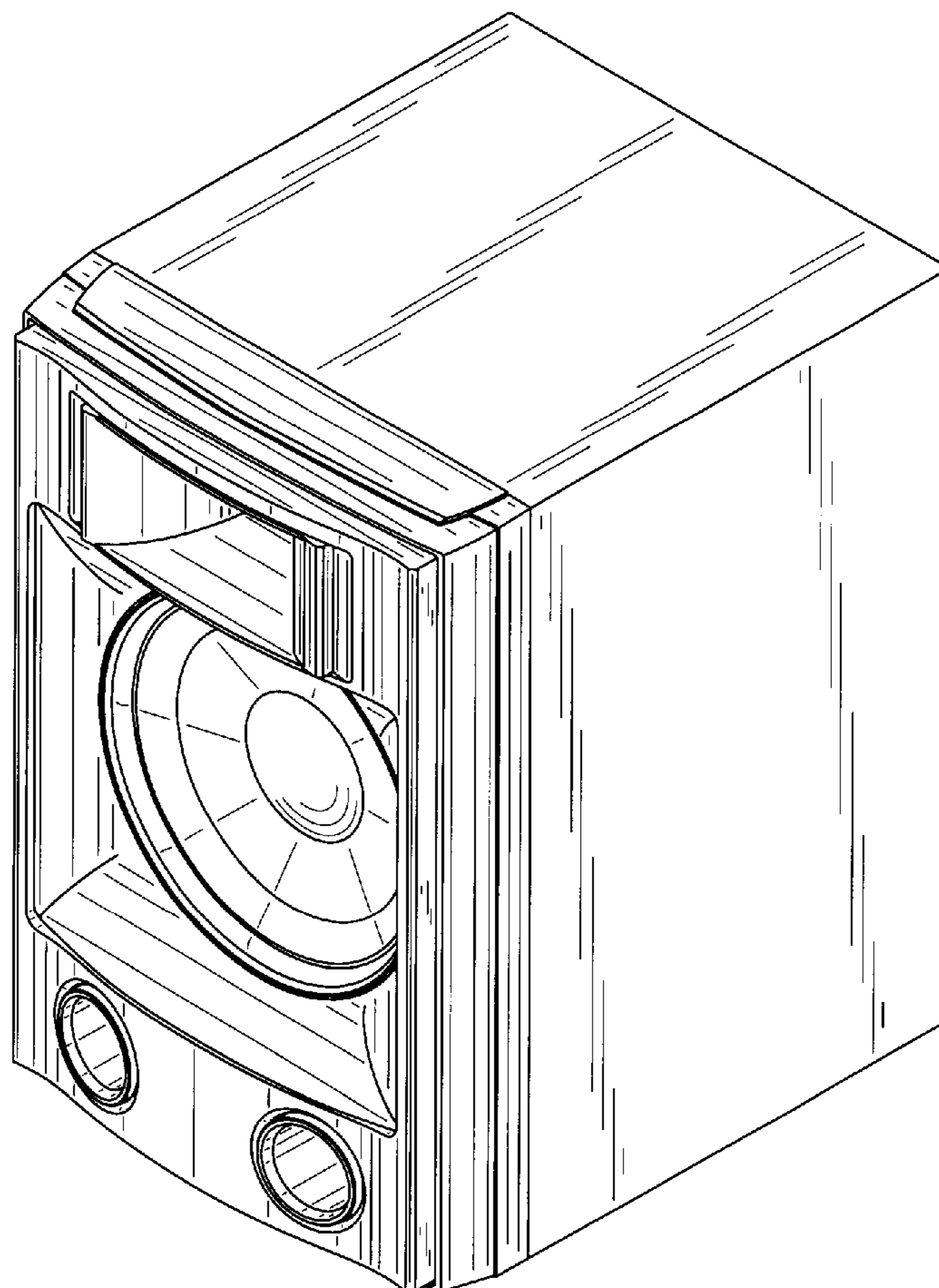


FIG.1

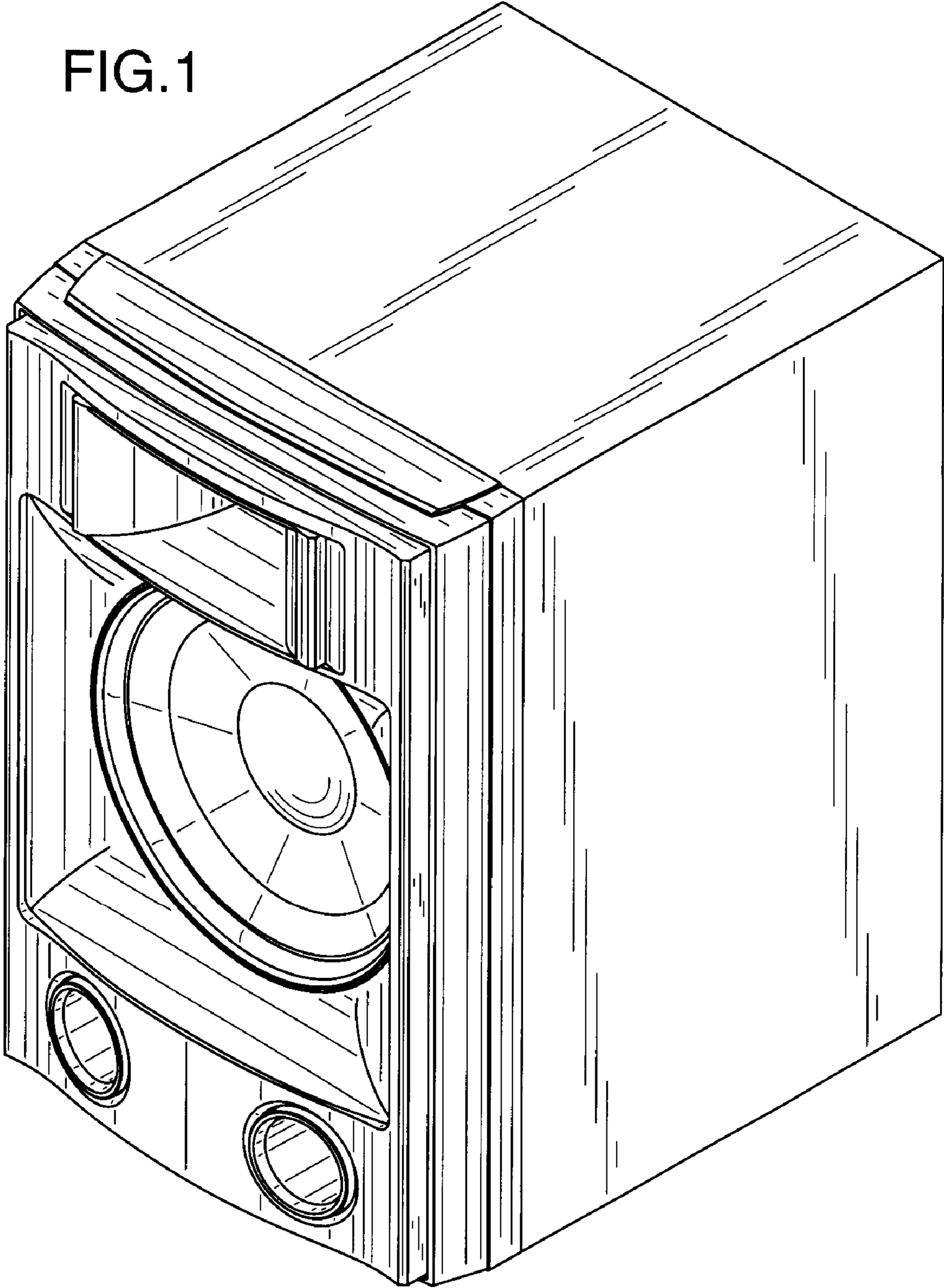


FIG.2

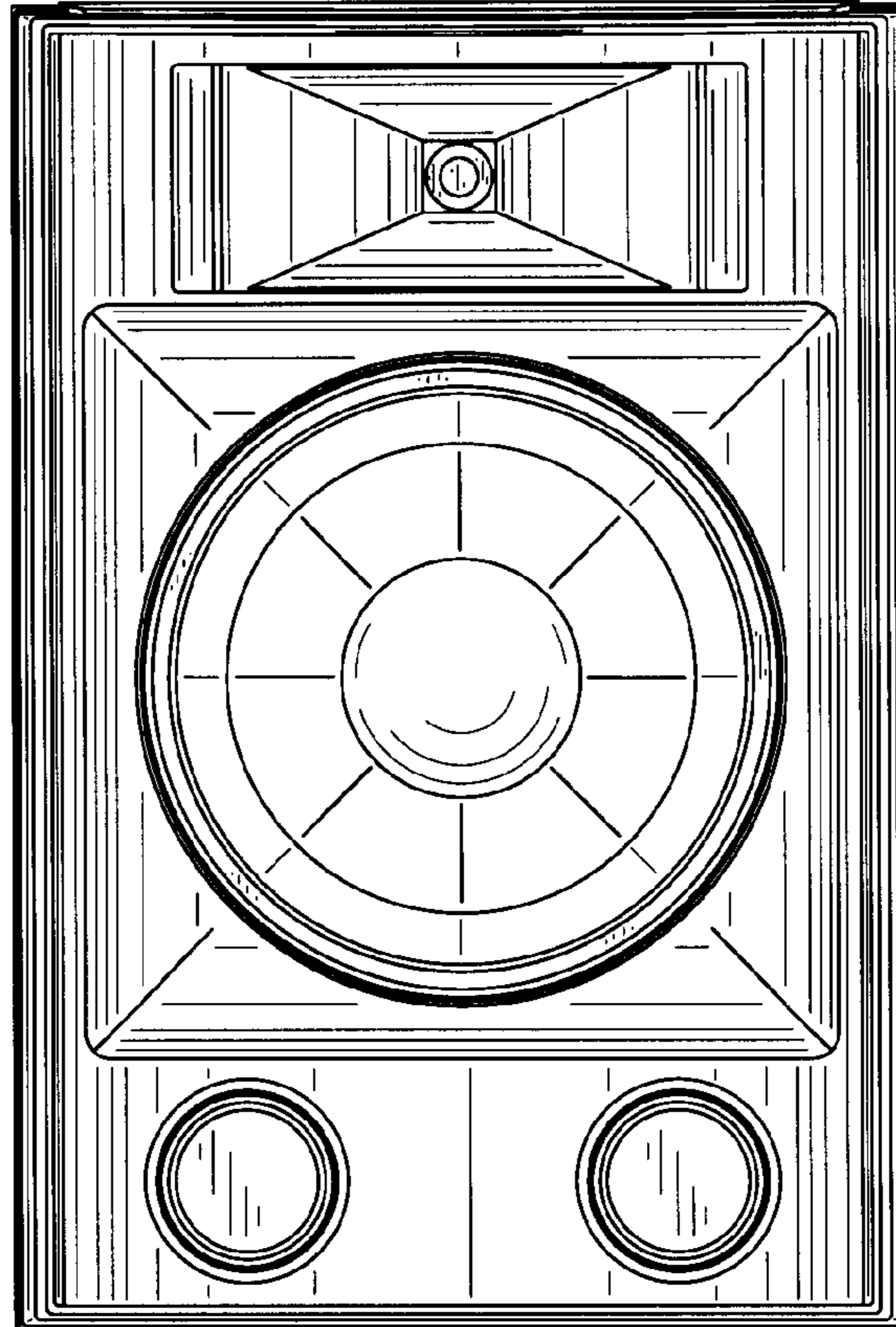


FIG.3

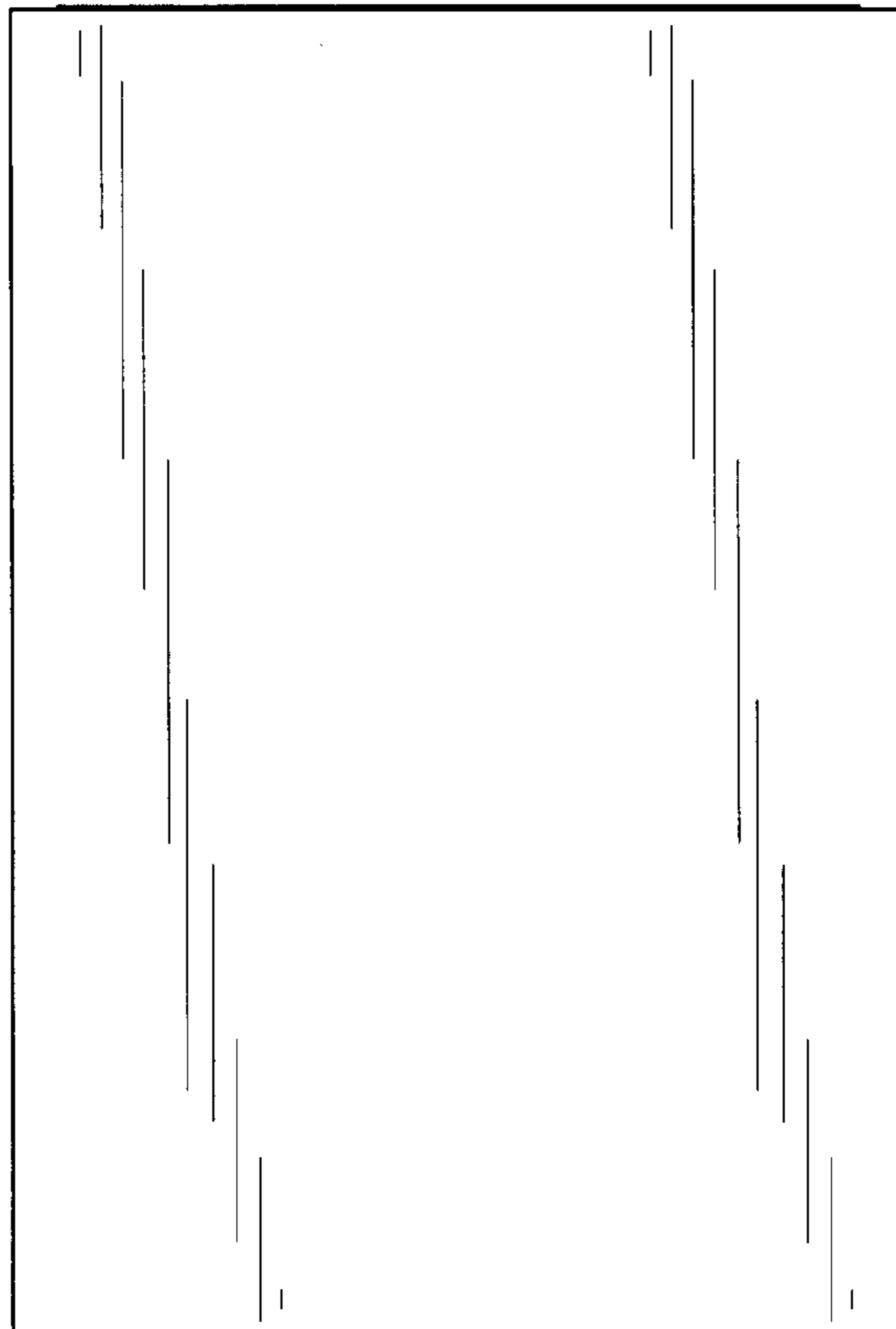


FIG.4

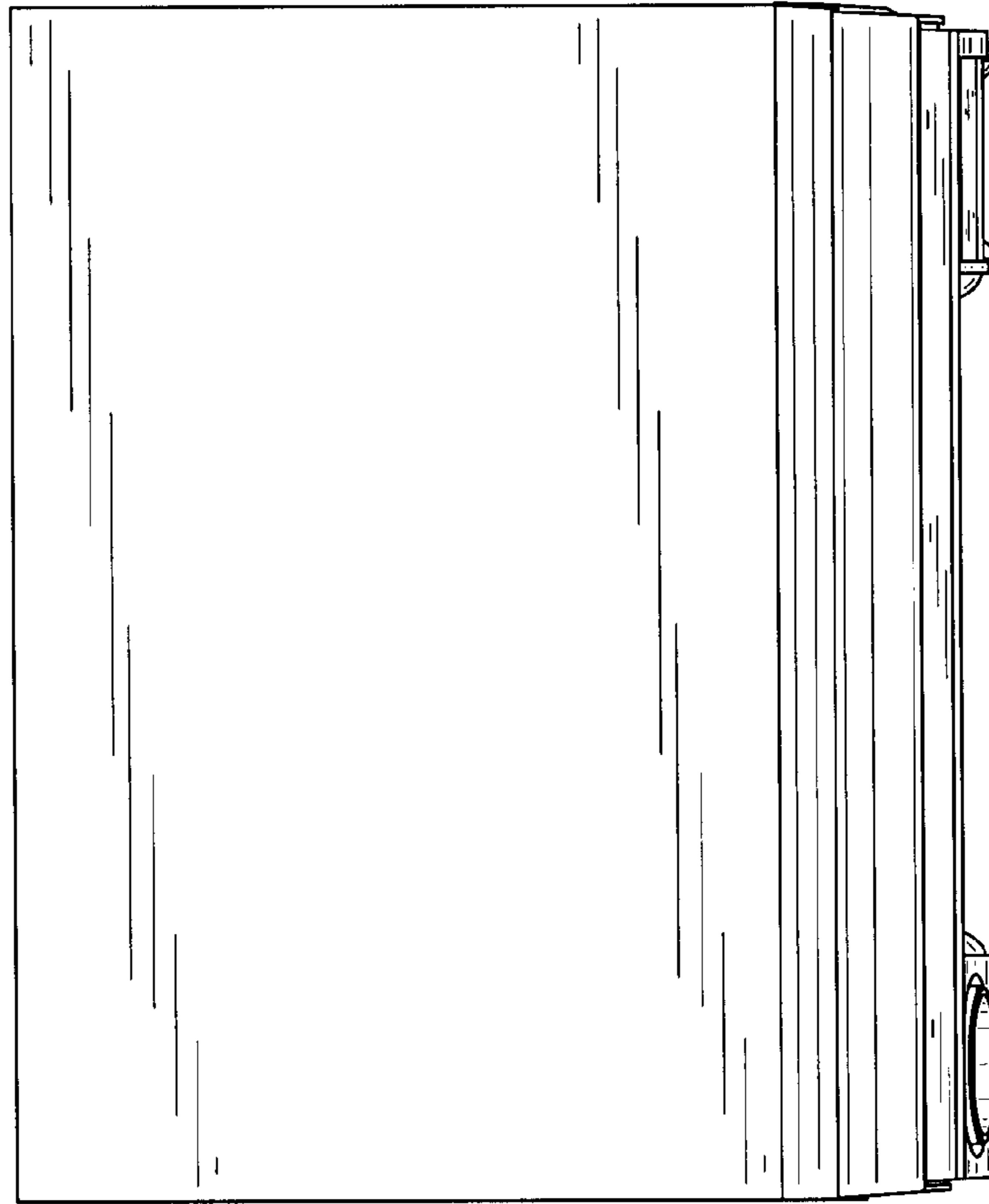


FIG.5

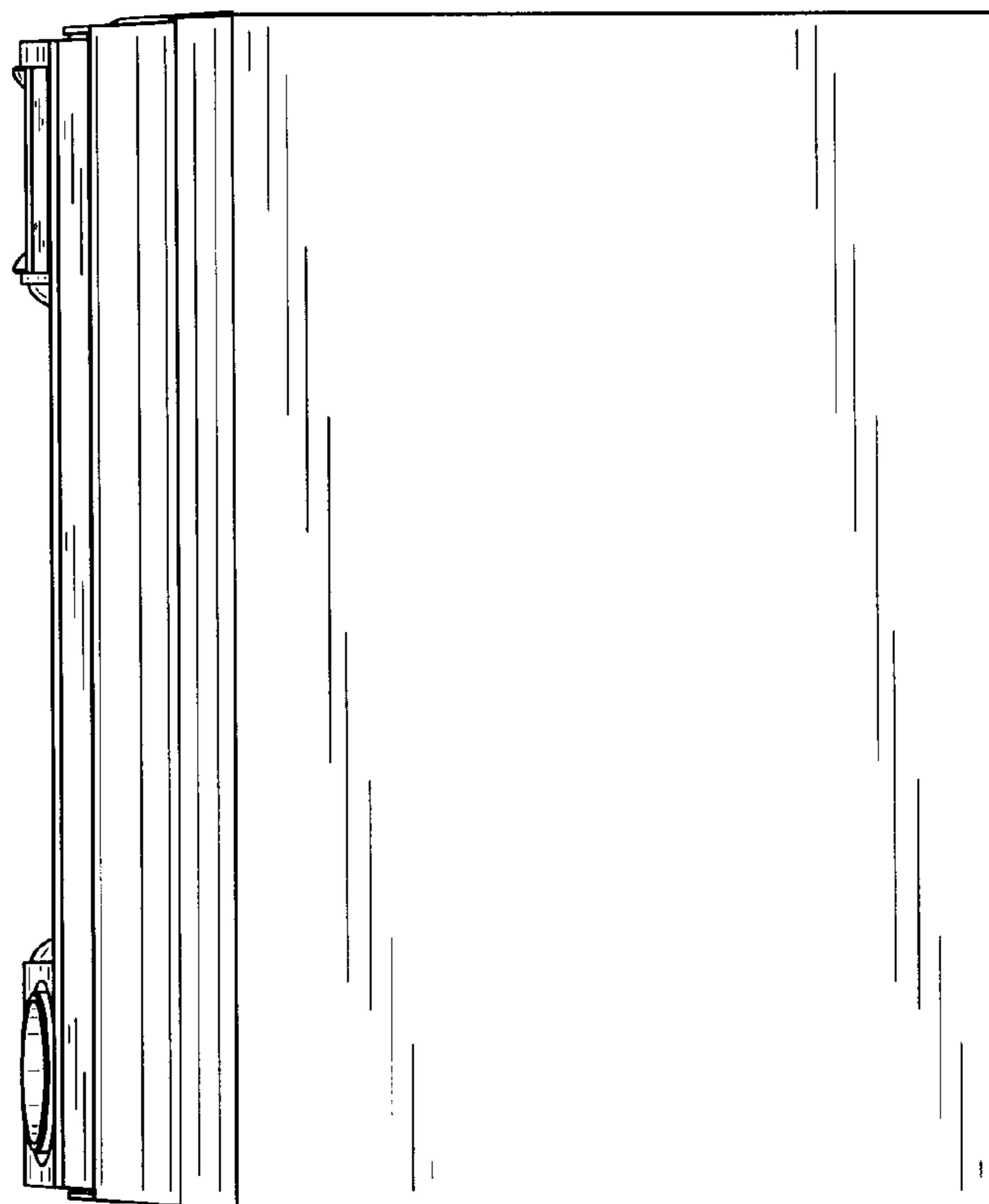


FIG.6

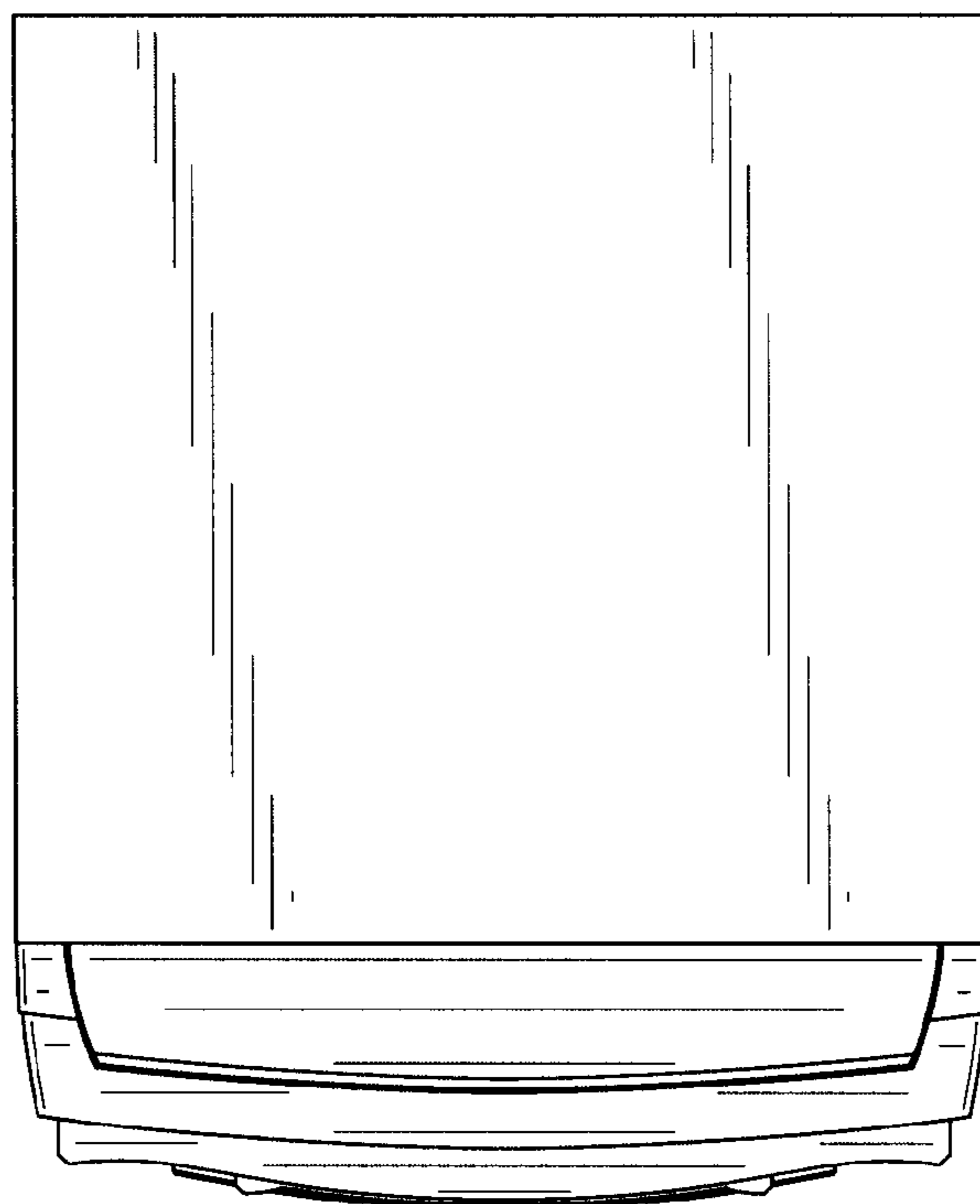


FIG.7

