

US00D519101S

(12) **United States Design Patent** (10) **Patent No.:** **US D519,101 S**
Alwicker et al. (45) **Date of Patent:** **** Apr. 18, 2006**

(54) **WIRELESS RECEIVER**

(75) Inventors: **Michael Joseph Alwicker**, Chicago, IL (US); **Jeffrey Michael**, Cambridge, MA (US); **Scott Edward Stropkay**, Carlisle, MA (US)

(73) Assignee: **Shure Incorporated**, Niles, IL (US)

(**) Term: **14 Years**

(21) Appl. No.: **29/211,545**

(22) Filed: **Aug. 18, 2004**

(51) **LOC (8) Cl.** **14-03**

(52) **U.S. Cl.** **D14/188**

(58) **Field of Classification Search** D14/188,
D14/137, 155, 358, 248, 230, 192-198; 379/433,
379/434, 149, 428, 440; 455/344-351, 3.01-306,
455/90.2, 91, 92

See application file for complete search history.

(56) **References Cited**

U.S. PATENT DOCUMENTS

4,310,923	A	*	1/1982	Kennedy	455/79
4,885,797	A	*	12/1989	Leather et al.	455/40
D371,788	S	*	7/1996	Kenning et al.	D14/188
D390,570	S	*	2/1998	Read	D14/240
D404,736	S		1/1999	Alvarez et al.		
5,877,675	A	*	3/1999	Rebstock et al.	340/286.07
D417,871	S	*	12/1999	Hisatsune	D14/188
6,263,193	B1	*	7/2001	Iseki et al.	455/84
D449,590	S	*	10/2001	Lewis	D14/188
D451,084	S	*	11/2001	Su	D14/188
D477,304	S	*	7/2003	Isaacs et al.	D14/188
D496,346	S	*	9/2004	Fuss et al.	D14/188
6,801,171	B1	*	10/2004	Lien	343/702

OTHER PUBLICATIONS

Sennheiser USA—EW112-G2—Product Details <http://www.sennheiserusa.com/newsite/productdetail.asp?transid=G2.2>, pp. 1-3.

AKG Acoustics—SR 81; <http://www.akg.com/products/lpowerslave.id.448.pid.448.mynodeid.188>, language.EN.html, pp. 1-2.

AKG Acoustics—SR 40 diversity; <http://www.akg.com/products/lpowerslave.id.285.pid.285.mynoldeid.186>, language.EN.html, pp. 1-2.

Audio-Technica Wireless Systems, 200 Series Freeway VHF Body-pack and Handheld Systems, <http://www.audio-technica.com/guide/wireless/200Freeway.html>, pp. 1-4.

Audio-Technica Wireless Systems, 3000 Series Frequency-agile UHF Body-pack and Handheld Systems, <http://www.audio-technica.com/guide/wireless/3000.html>, pp. 1-5.

Audio-Technica Wireless System; 600 Series Freeway UHF Body-pack and Handheld Systems, <http://www.audio-technical.com/guide/wireless/600Freeway.html>, pp. 1-4.

Musicians Buy, EV RE2N2 Receiver and Transmitter <http://www.musiciansbuy.com/mb/items.asp?ic=RE2N2KIT>, pp. 1-4.

Linksys:WAP54G—Wireless-G Access Point, <http://www.linksys.com/products/product.asp?grid=33&scid=35&prid=608>, pp. 1-2.

NETGEAR—54 Mbps Wireless ADSL Firewall Router, Model DG834G, http://www.netgear.com/products/prod_details.php?prodID=223&view=, 1 page.

Wireless Routers—NETGEAR; <http://www.netgear.com/products/routers/wireless.php>, pp. 1-2.

* cited by examiner

Primary Examiner—Prabhakar Deshmukh

(74) *Attorney, Agent, or Firm*—Banner & Witcoff, Ltd.

(57) **CLAIM**

The ornamental design for a wireless receiver, as shown and described.

DESCRIPTION

FIG. 1 is an isometric view of the wireless receiver design; FIG. 2 is a top view of the wireless receiver; FIG. 3 is a front view of the wireless receiver; FIG. 4 is a left side view of the wireless receiver; FIG. 5 is a rear view of the wireless receiver; and, FIG. 6 is a bottom view of the wireless receiver. The broken lines are for illustrative purpose only and from no part of the claimed design.

1 Claim, 2 Drawing Sheets

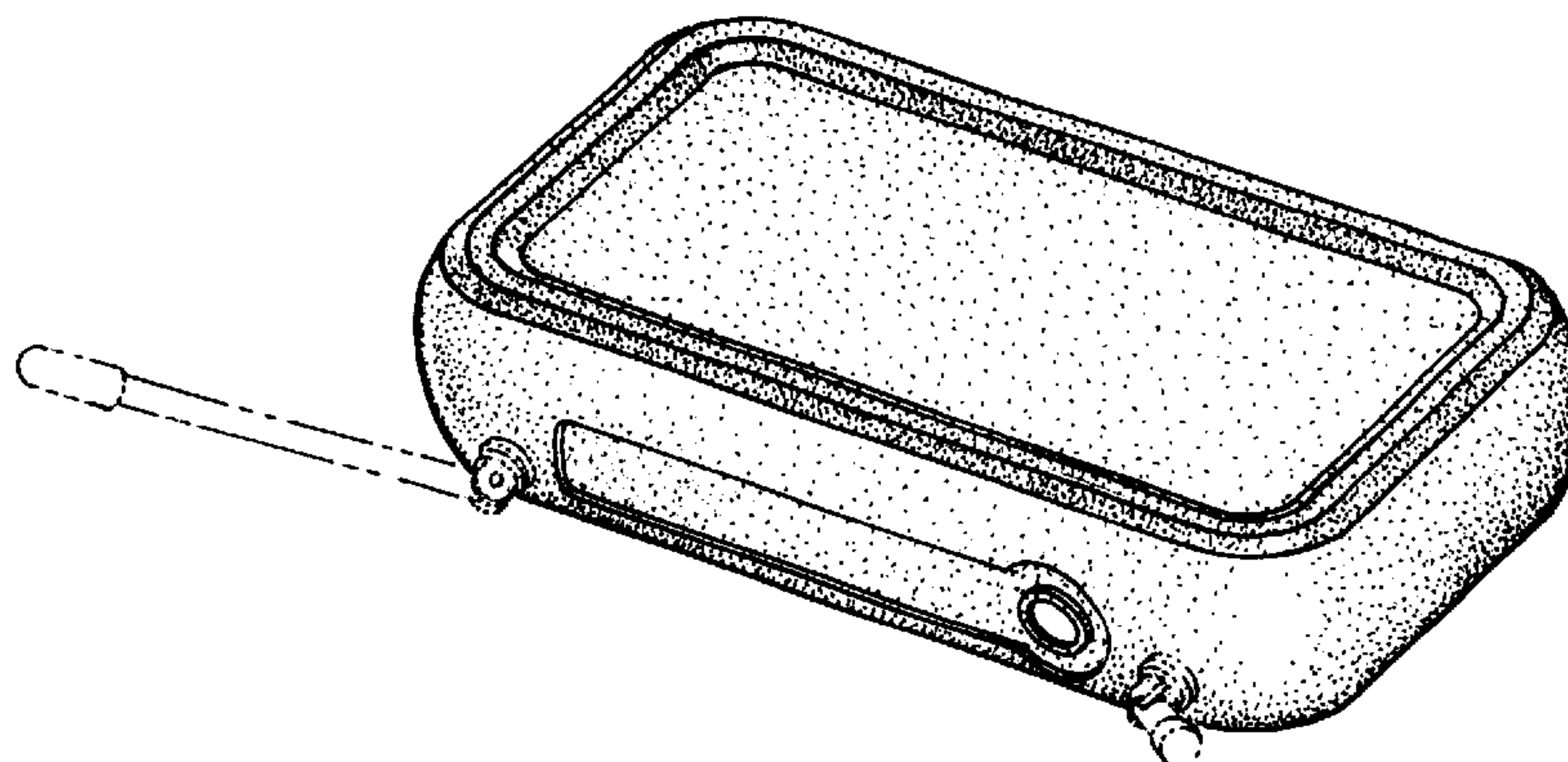


FIG.1

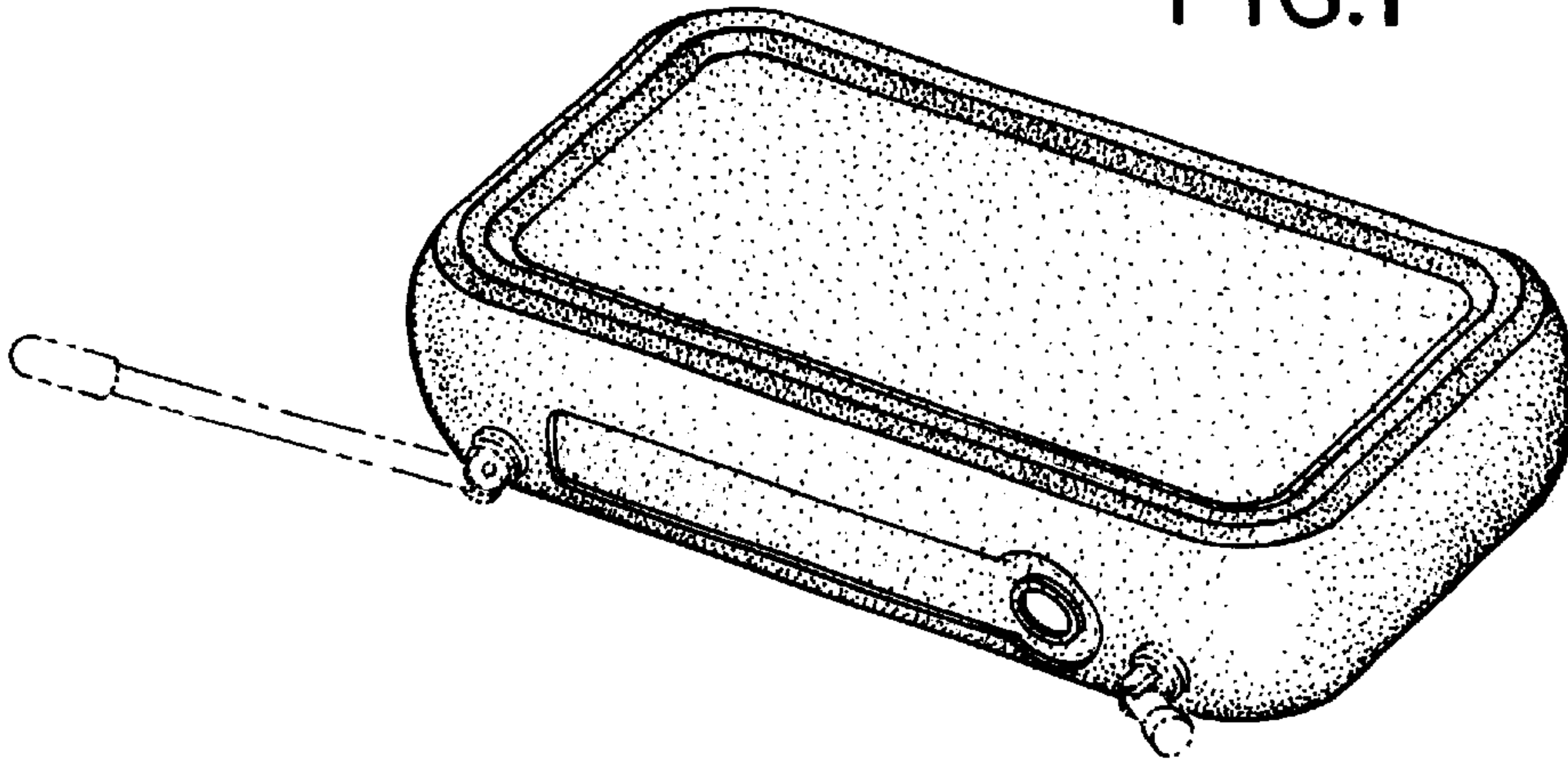


FIG.2

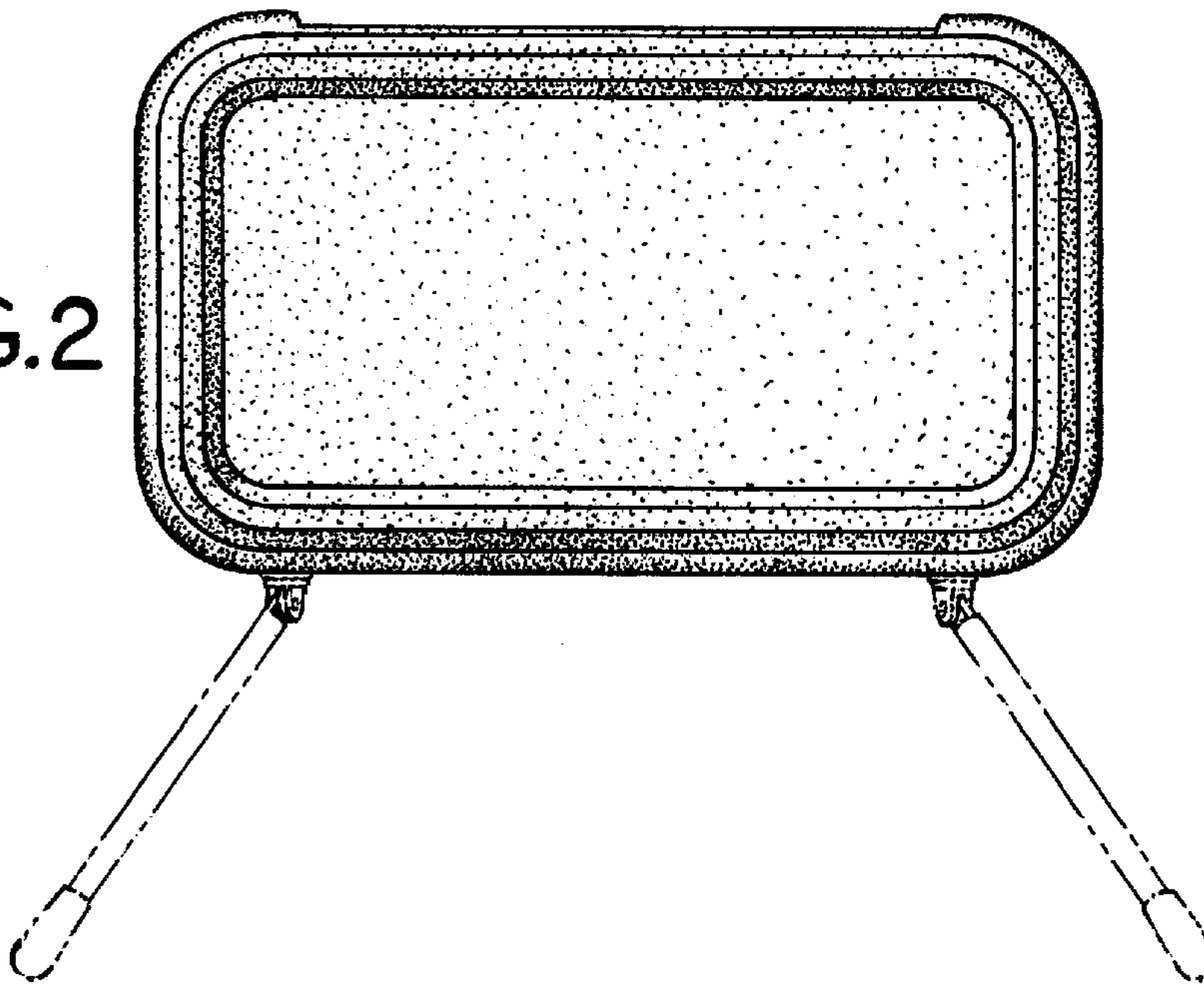


FIG.3

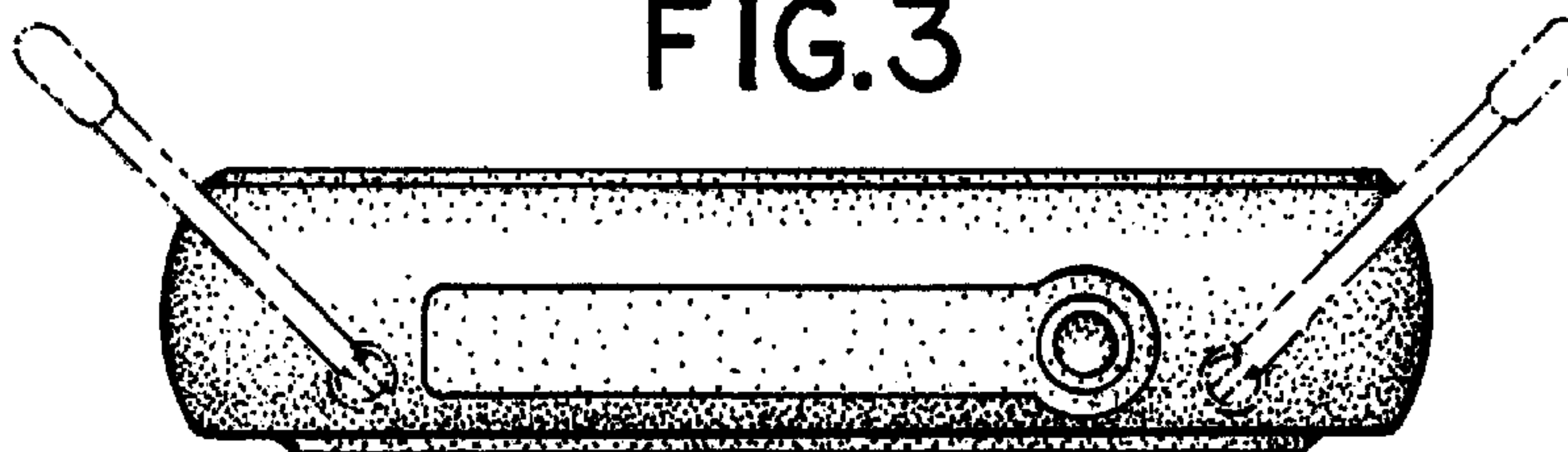


FIG.4

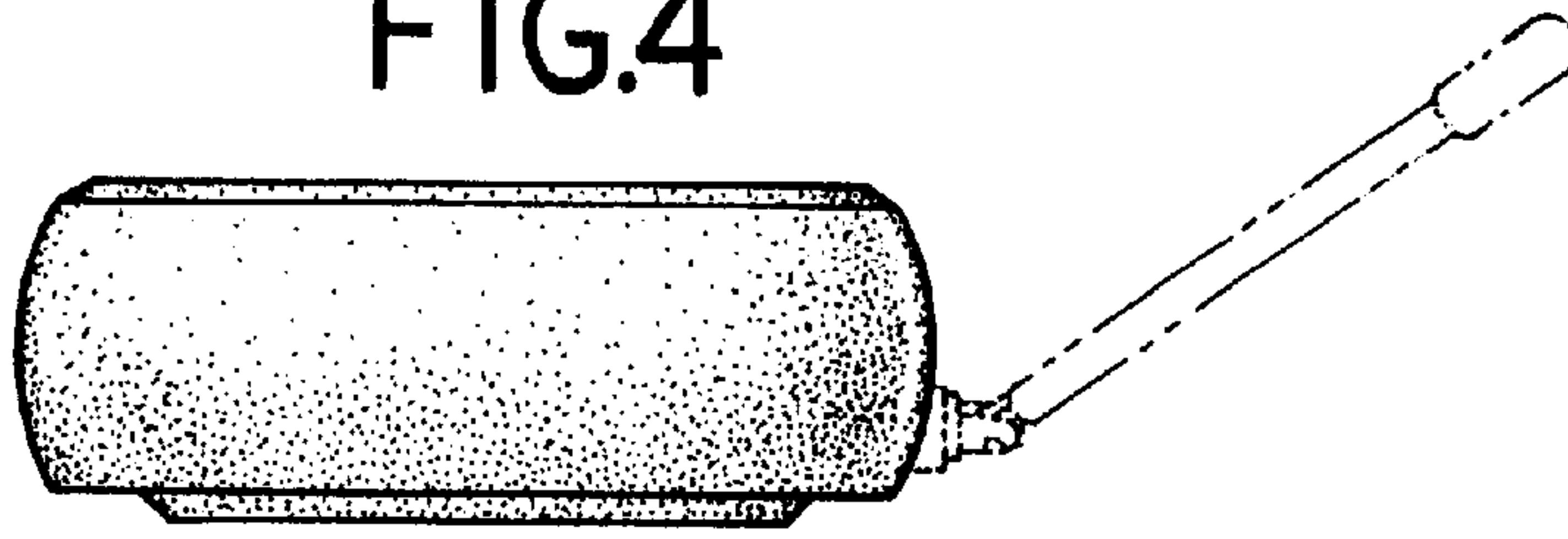


FIG.5

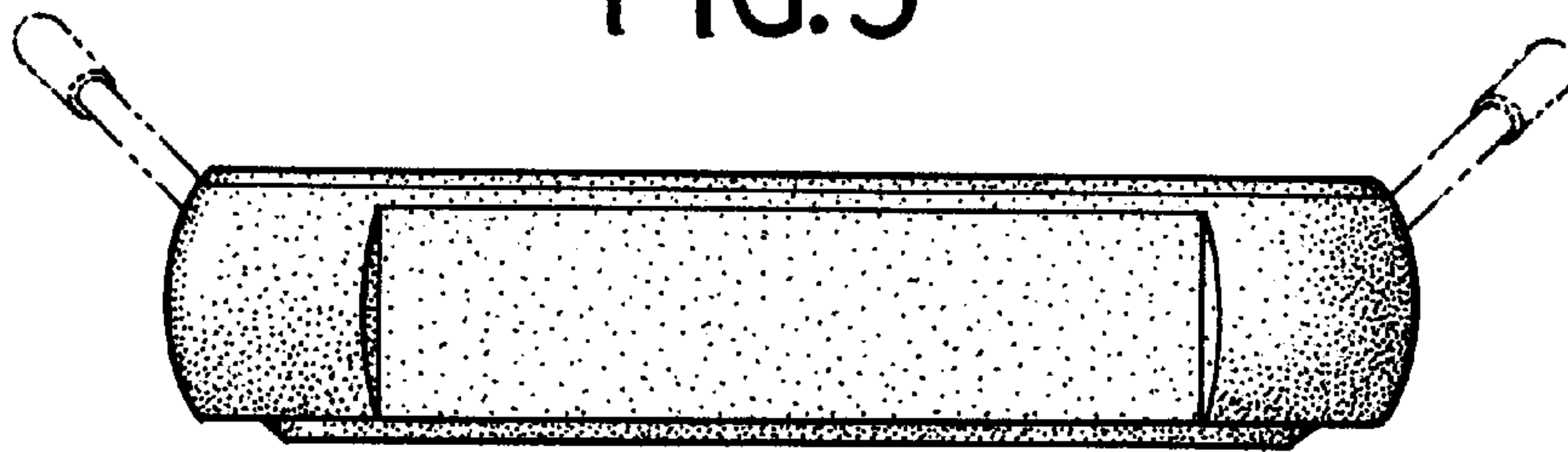


FIG.6

