



US00D519097S

(12) **United States Design Patent**  
**Lee et al.**

(10) **Patent No.: US D519,097 S**  
(45) **Date of Patent: \*\* Apr. 18, 2006**

(54) **PORTABLE TELEPHONE**

(75) Inventors: **Young-Keun Lee**, Seoul (KR); **Jeffrey Higashi**, Rancho Dominguez, CA (US); **Seiji Morioka**, Rancho Dominguez, CA (US); **Mark Gullickson**, Rancho Dominguez, CA (US); **Mark Sterzick**, Rancho Dominguez, CA (US)

(73) Assignee: **Samsung Electronics Co., Ltd.**, Suwon-si (KR)

(\*\*) Term: **14 Years**

(21) Appl. No.: **29/220,271**

(22) Filed: **Dec. 29, 2004**

(30) **Foreign Application Priority Data**

Jul. 30, 2004 (KR) ..... 30-2004-0023398

(51) **LOC (8) Cl.** ..... **14-03**

(52) **U.S. Cl.** ..... **D14/138**

(58) **Field of Classification Search** ..... D14/137, D14/138, 147-148, 247-248, 144, 341-347; 379/433.01-433.13, 434; D21/517; 455/575.3, 455/566, 575.1; 345/169  
See application file for complete search history.

(56) **References Cited**

**U.S. PATENT DOCUMENTS**

D401,577 S	*	11/1998	Yamaguchi	.....	D14/138
D408,030 S	*	4/1999	Richards et al.	.....	D14/138
D408,414 S	*	4/1999	Stead et al.	.....	D14/225
D428,403 S	*	7/2000	Hyun	.....	D14/138
D446,508 S	*	8/2001	Yoo et al.	.....	D14/138
D449,036 S	*	10/2001	Weikel et al.	.....	D14/215
D455,411 S	*	4/2002	Wong	.....	D14/137
D468,282 S	*	1/2003	Chen	.....	D14/138
D485,818 S	*	1/2004	Yabe et al.	.....	D14/138
D488,144 S	*	4/2004	Hwang	.....	D14/138
D490,389 S	*	5/2004	Yang	.....	D14/138
D490,792 S	*	6/2004	Lee	.....	D14/138
D491,158 S	*	6/2004	Mou et al.	.....	D14/138
D491,906 S	*	6/2004	Okamatsu	.....	D14/138

D491,907 S	*	6/2004	Ogawa	.....	D14/138
D494,948 S	*	8/2004	Cho	.....	D14/138
D496,019 S	*	9/2004	Okada et al.	.....	D14/138
D498,223 S	*	11/2004	Ho et al.	.....	D14/138
D501,837 S	*	2/2005	Kim et al.	.....	D14/138
D502,458 S	*	3/2005	Chung et al.	.....	D14/138
D504,670 S	*	5/2005	Lodato et al.	.....	D14/138
D505,124 S	*	5/2005	Takada	.....	D14/138
D506,736 S	*	6/2005	Lodato et al.	.....	D14/138
D506,739 S	*	6/2005	Shin et al.	.....	D14/138
D507,254 S	*	7/2005	Chen	.....	D14/138
D507,255 S	*	7/2005	Watanabe et al.	.....	D14/138
D507,553 S	*	7/2005	Gotou et al.	.....	D14/138
D507,554 S	*	7/2005	Kim	.....	D14/138
D508,903 S	*	8/2005	Kim et al.	.....	D14/138
D509,815 S	*	9/2005	Jang	.....	D14/138
2002/0137478 A1	*	9/2002	Masamura	.....	455/90
2004/0132482 A1	*	7/2004	Kang et al.	.....	455/550.1
2004/0132513 A1	*	7/2004	Taneda et al.	.....	455/575.3
2004/0203536 A1	*	10/2004	Chao et al.	.....	455/90.3

**FOREIGN PATENT DOCUMENTS**

JP	1167430	*	3/2003
JP	1183170	*	8/2003
JP	1190601	*	11/2003
WO	DM/064560	*	10/2003
WO	DM/066630	*	5/2005

\* cited by examiner

*Primary Examiner*—Jeffrey Asch

(74) *Attorney, Agent, or Firm*—Leydig, Voit & Mayer, Ltd.

(57) **CLAIM**

We claim the ornamental design for a portable telephone, as shown and described.

**DESCRIPTION**

FIG. 1 is a perspective view of a portable telephone, when closed, according to our new design; FIG. 2 is a front view thereof, when closed; FIG. 3 is a rear view thereof, when closed; FIG. 4 is a left side view thereof, when closed; FIG. 5 is a right side view thereof, when closed; FIG. 6 is a top view thereof, when closed; FIG. 7 is a bottom view thereof, when closed; and, FIG. 8 is a front view thereof, when open.

**1 Claim, 5 Drawing Sheets**

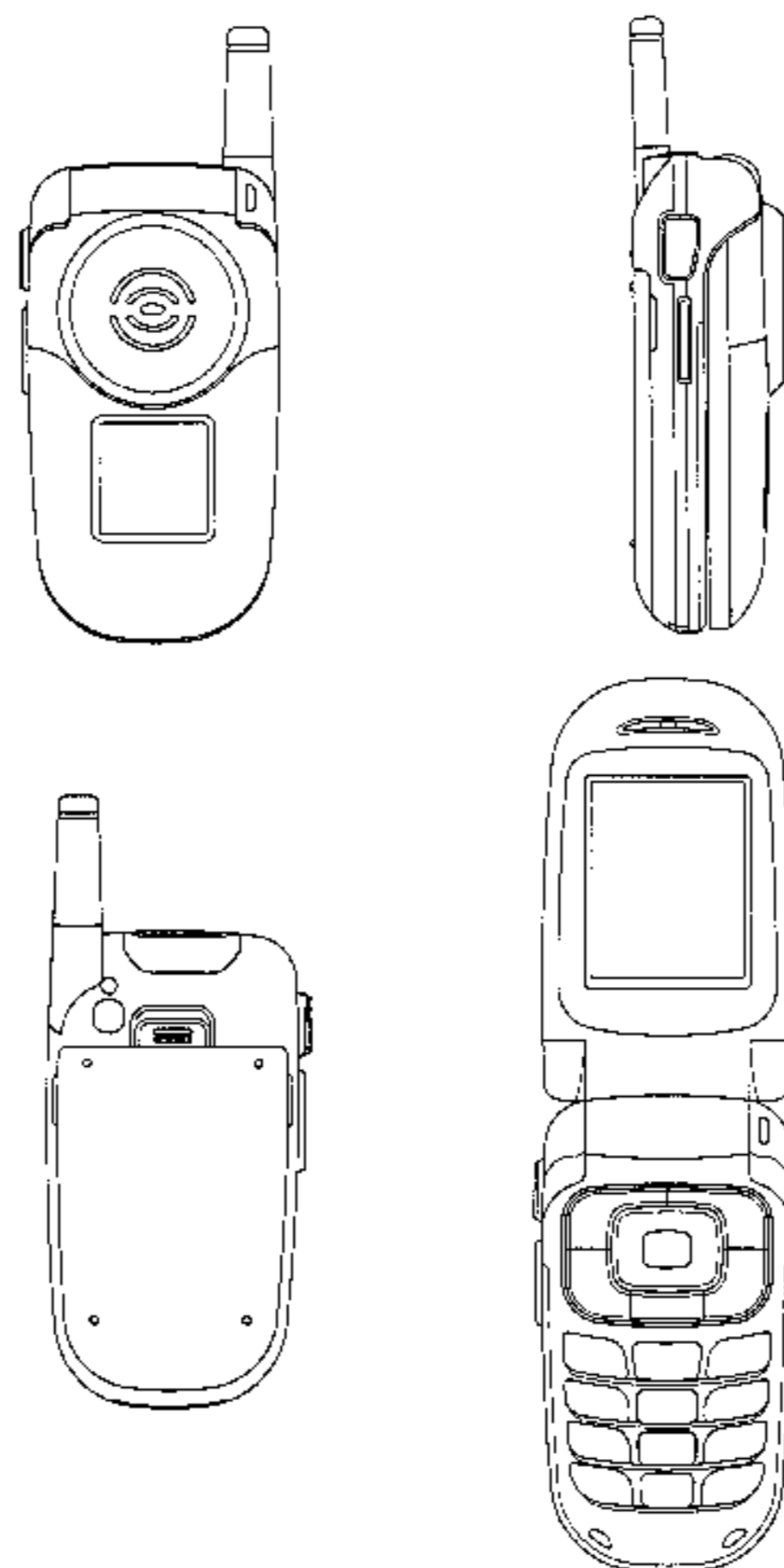
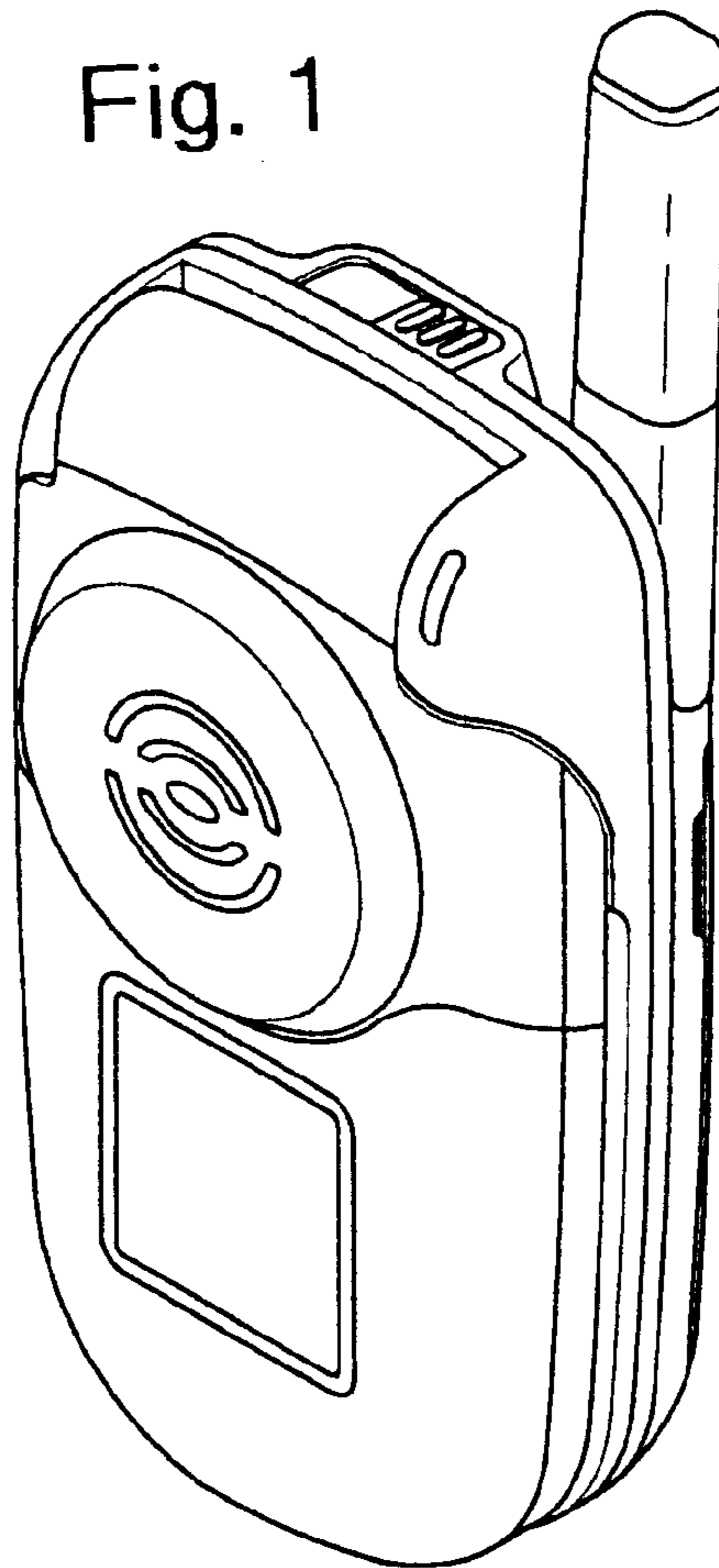


Fig. 1



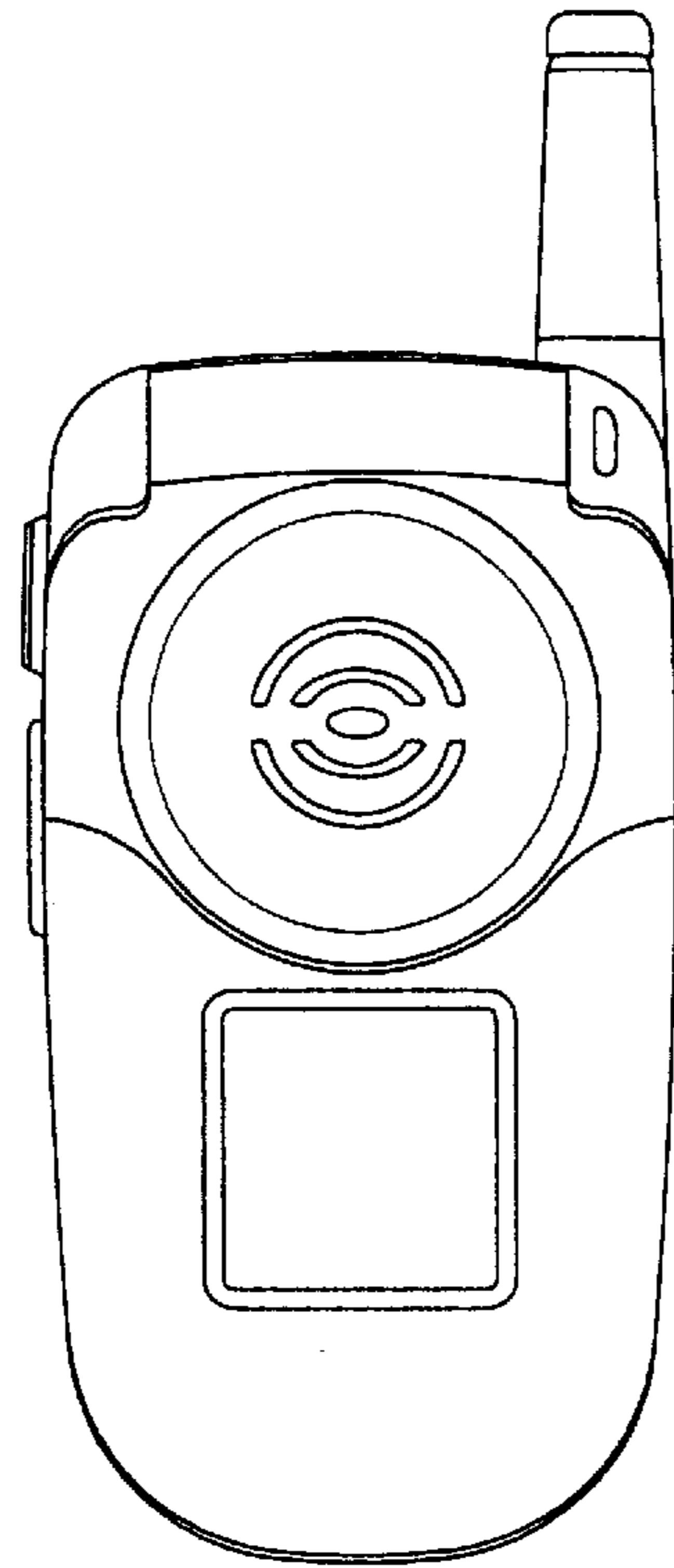


Fig. 2

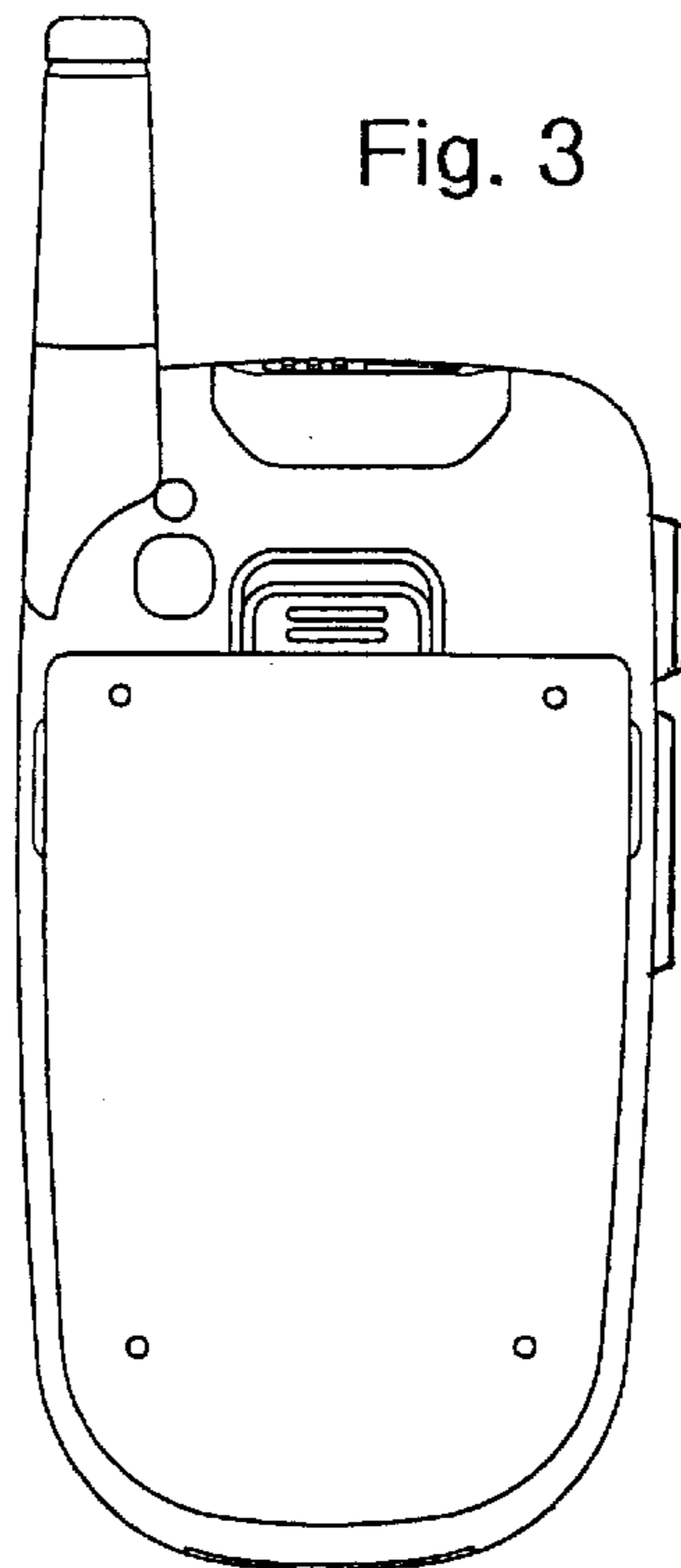


Fig. 3

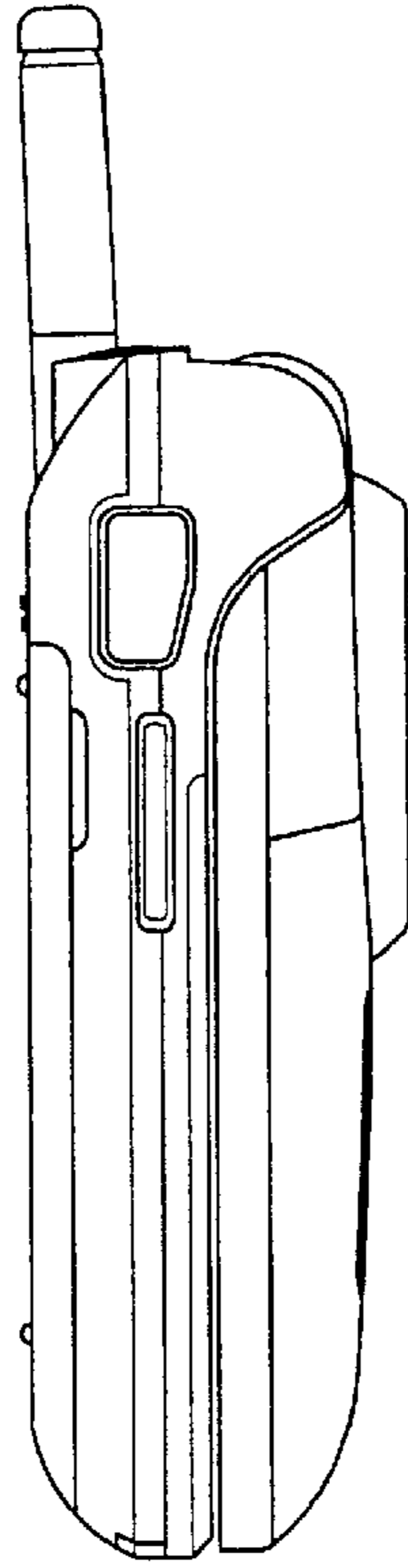


Fig. 4

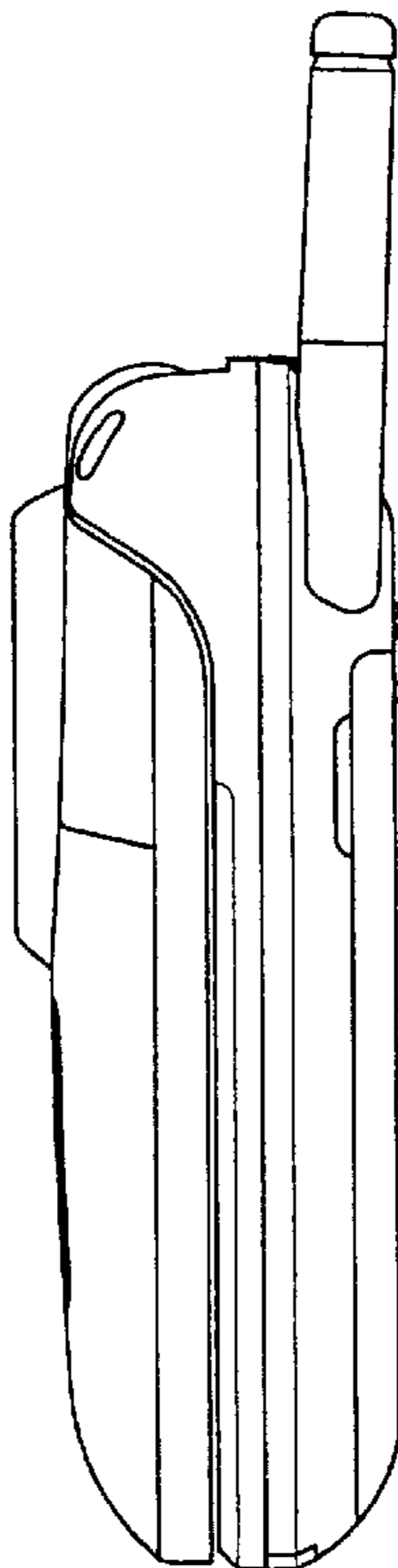


Fig. 5

Fig. 6

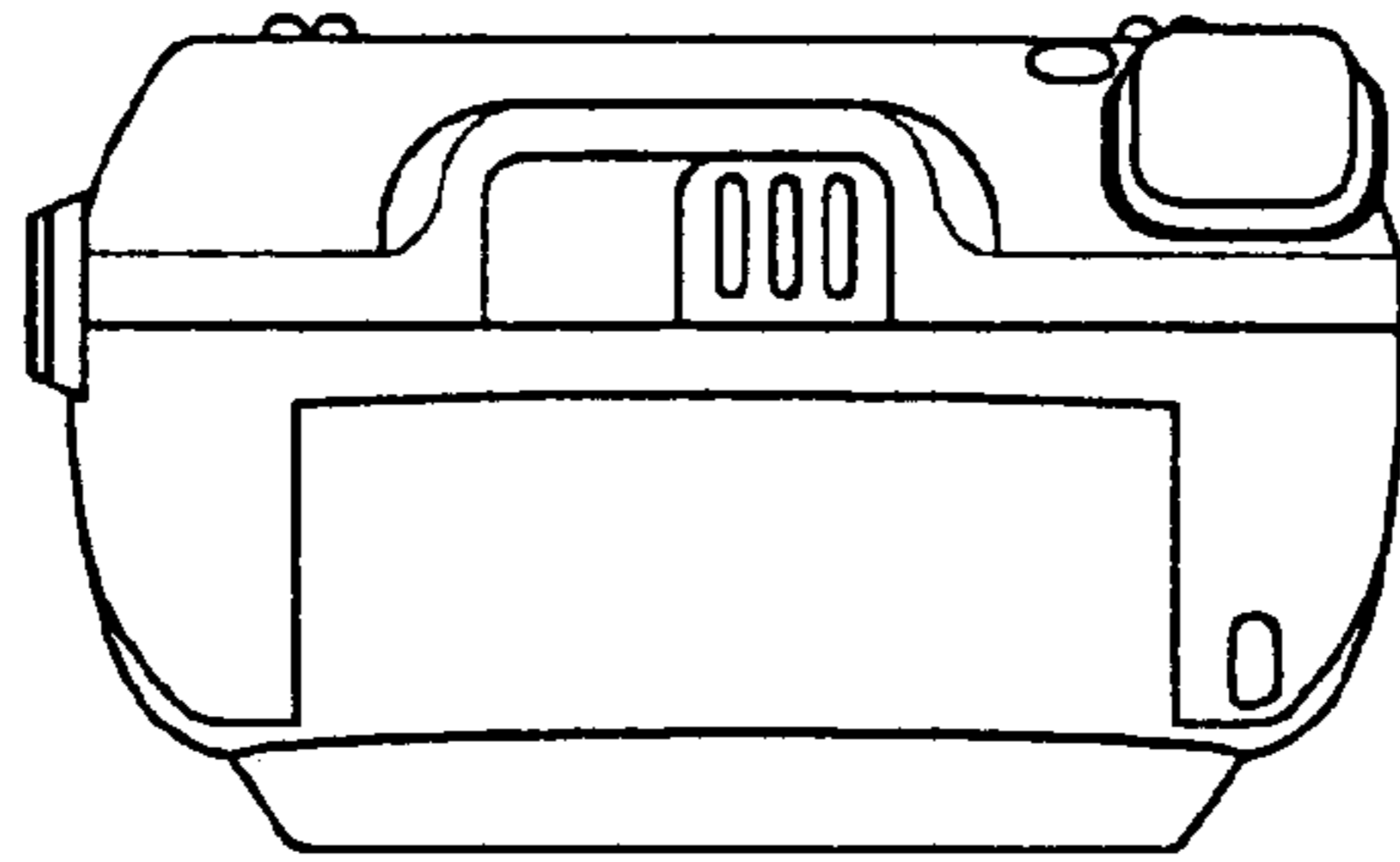


Fig. 7

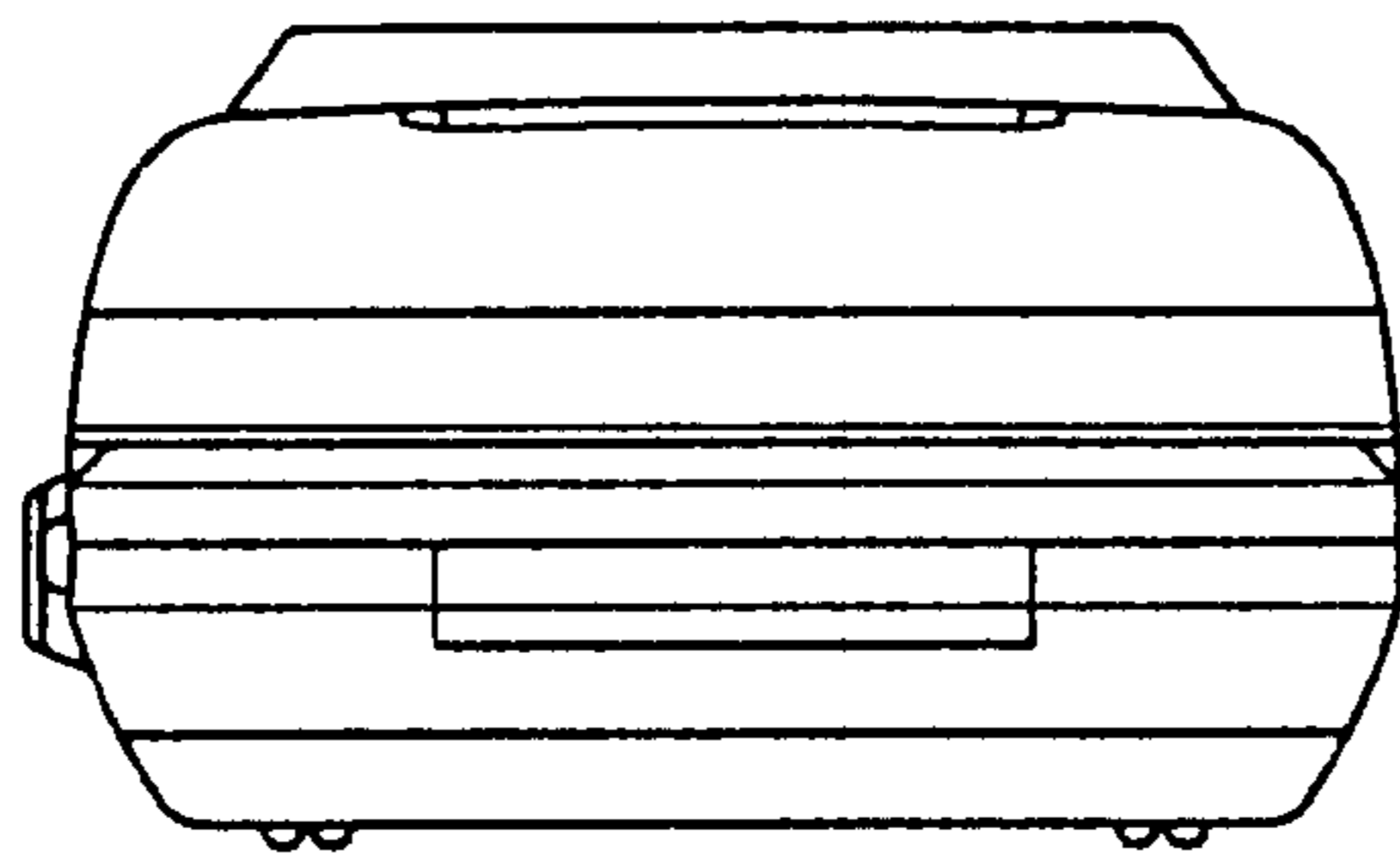


Fig.8

