



US00D519094S

(12) **United States Design Patent**
Helin

(10) **Patent No.:** **US D519,094 S**
(45) **Date of Patent:** **** Apr. 18, 2006**

(54) **COMMUNICATOR**

(75) Inventor: **Totti Helin**, Helsinki (FI)

(73) Assignee: **Nokia Corporation**, Espoo (FI)

(**) Term: **14 Years**

(21) Appl. No.: **29/211,453**

(22) Filed: **Aug. 17, 2004**

(30) **Foreign Application Priority Data**

Feb. 17, 2004 (FI) M20040021

(51) **LOC (8) Cl.** **14-03**

(52) **U.S. Cl.** **D14/138**

(58) **Field of Classification Search** D14/137,
D14/138, 147-148, 247-248, 144, 218, 341-347;
379/433.01-433.13, 434; 455/575.1, 566,
455/556.1; D21/517, 329, 331; 345/169

See application file for complete search history.

(56) **References Cited**

U.S. PATENT DOCUMENTS

5,189,632 A * 2/1993 Paajanen et al. 708/109
D337,764 S * 7/1993 Paton et al. D14/138
D340,927 S * 11/1993 Goatman D14/137
5,414,444 A * 5/1995 Britz 345/156
D373,347 S * 9/1996 Ashley et al. D14/343
D377,341 S * 1/1997 Imai et al. D14/343
5,692,046 A * 11/1997 Jambhekar 379/433.13
5,703,947 A * 12/1997 Hino et al. 379/419
D389,838 S * 1/1998 Brunner et al. D14/218
D392,968 S 3/1998 Johansson
D398,307 S * 9/1998 Collins D14/144
D408,397 S * 4/1999 Renard D14/138
D413,597 S * 9/1999 Oba D14/144
D413,885 S * 9/1999 Irimajiri et al. D14/144
D416,255 S 11/1999 Johansson
6,014,573 A * 1/2000 Lehtonen et al. 455/569.1
D426,218 S * 6/2000 Abed et al. D14/138
D426,219 S * 6/2000 Gulino et al. D14/138
6,259,932 B1 * 7/2001 Constien 455/556.1
D447,740 S 9/2001 Johansson

D459,717 S 7/2002 Bohne
6,445,932 B1 * 9/2002 Soini et al. 455/556.1
6,487,396 B1 * 11/2002 Sassi 455/90.1
D480,057 S * 9/2003 Ho-Cheun et al. D14/138
D487,886 S * 3/2004 Ho-Cheun et al. D14/138
6,725,064 B1 * 4/2004 Wakamatsu et al. 455/566
D498,735 S * 11/2004 Chen et al. D14/138
6,839,577 B1 * 1/2005 Krenz et al. 455/575.7
D501,470 S * 2/2005 Yau et al. D14/248
2003/0073456 A1 * 4/2003 Griffin et al. 455/550
2003/0090468 A1 * 5/2003 Finke-Anlauff 345/169
2004/0058720 A1 * 3/2004 Kubo et al. 455/575.1
2004/0198248 A1 * 10/2004 Krenz et al. 455/90.1

FOREIGN PATENT DOCUMENTS

EM 000104328-0001 1/2004
EM 000104328-0002 1/2004
EM 000104328-0003 1/2004
EM 000104328-0004 1/2004
EM 000104328-0005 1/2004
WO DM/065843 * 8/2004
WO DM/066748 * 2/2005

* cited by examiner

Primary Examiner—Jeffrey Asch

(74) *Attorney, Agent, or Firm*—Banner & Witcoff, Ltd.

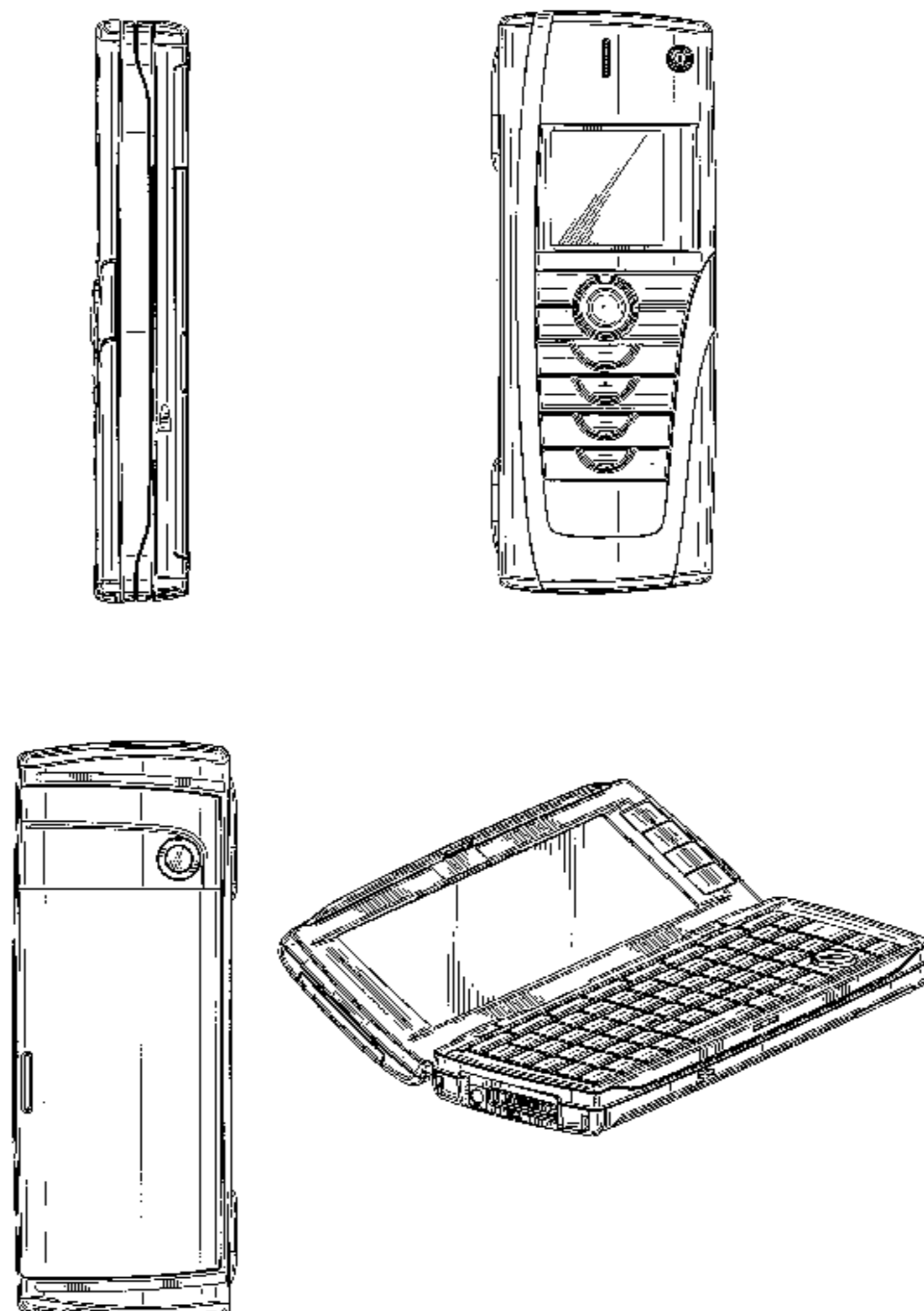
(57) **CLAIM**

The ornamental design for a communicator, as shown and described.

DESCRIPTION

FIG. 1 is a bottom plan view of a communicator showing my new design;
FIG. 2 is a right side view thereof;
FIG. 3 is a front view thereof;
FIG. 4 is a left side view thereof;
FIG. 5 is a top plan view thereof;
FIG. 6 is a rear view thereof;
FIG. 7 is a perspective front view thereof;
FIG. 8 is a perspective rear view thereof;
FIG. 9 is a front view in an open position; and,
FIG. 10 is a perspective front view in an open position.

1 Claim, 6 Drawing Sheets



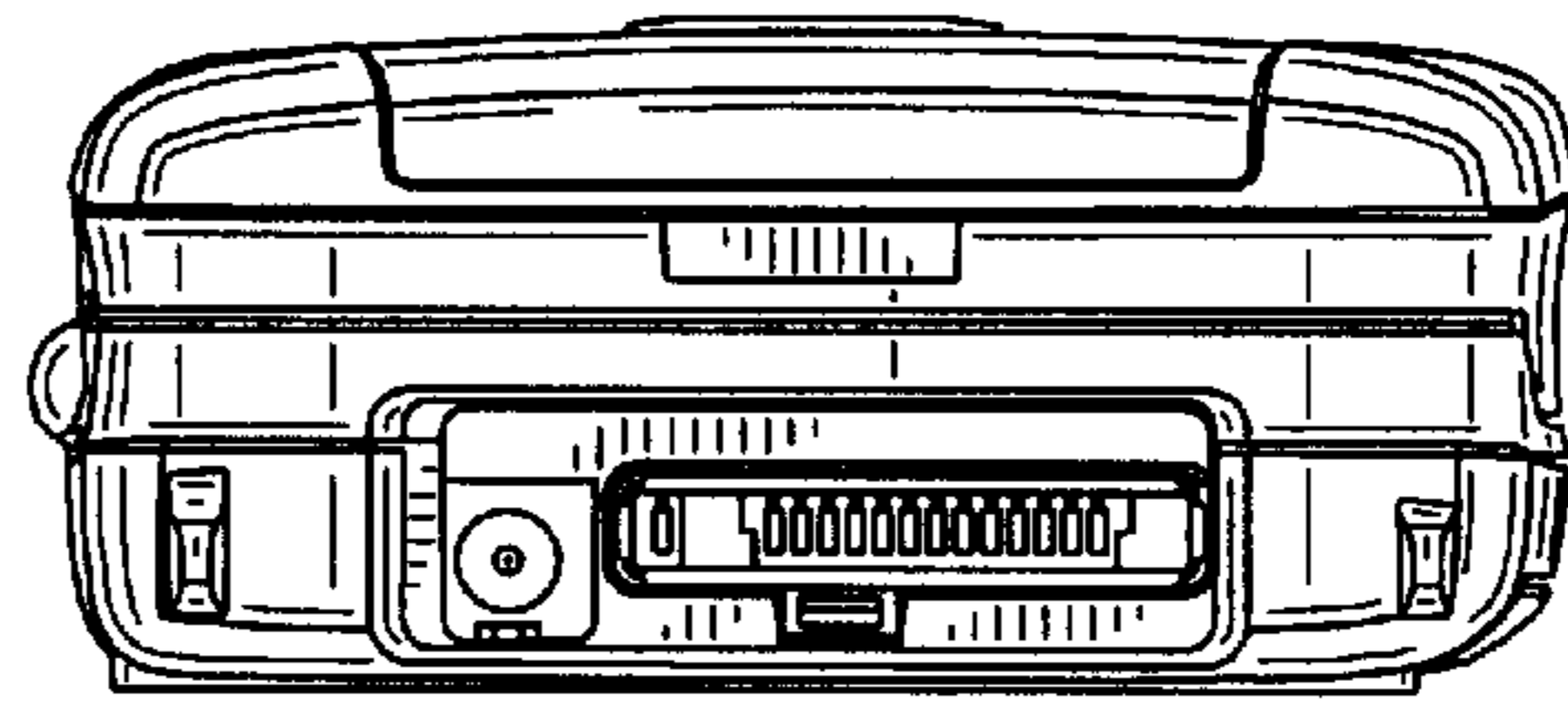


FIG. 1

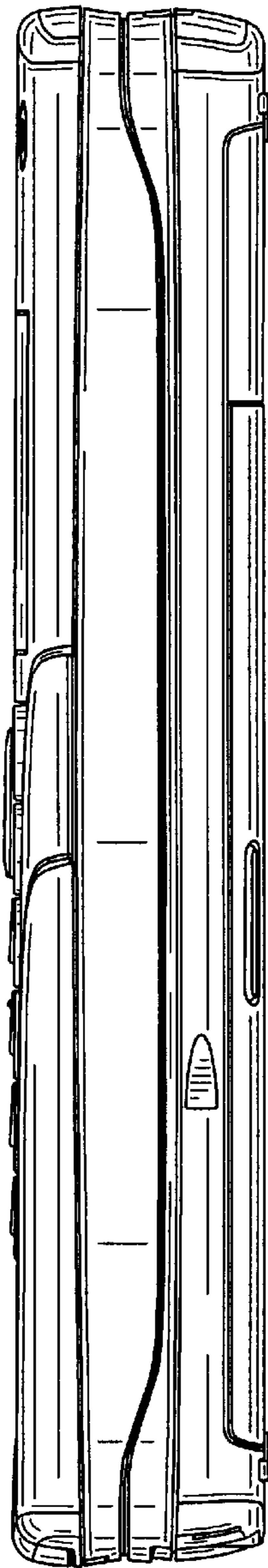


FIG. 2

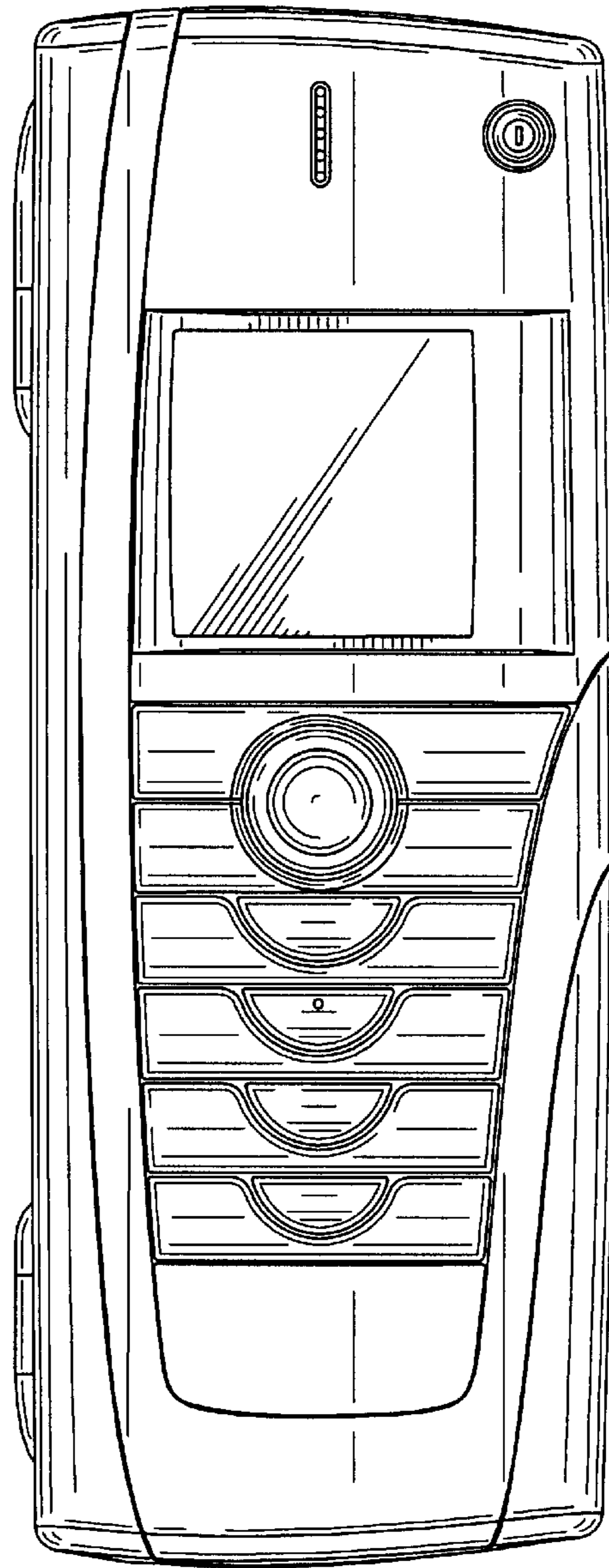


FIG. 3

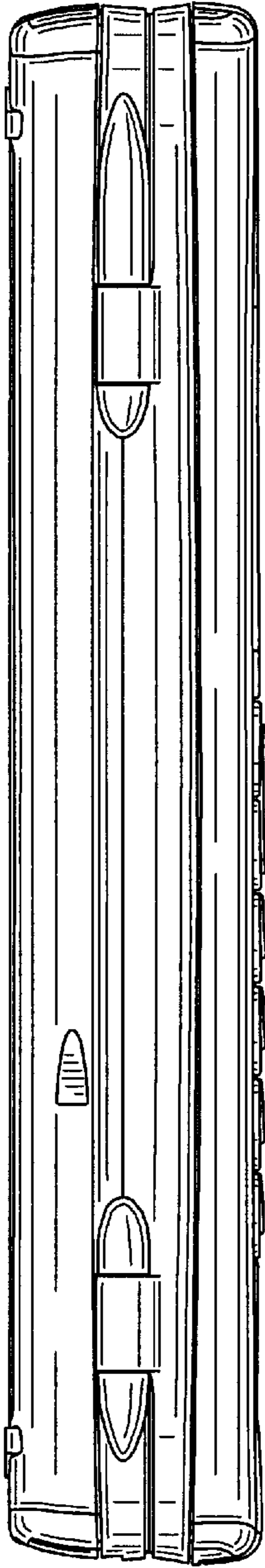


FIG. 4

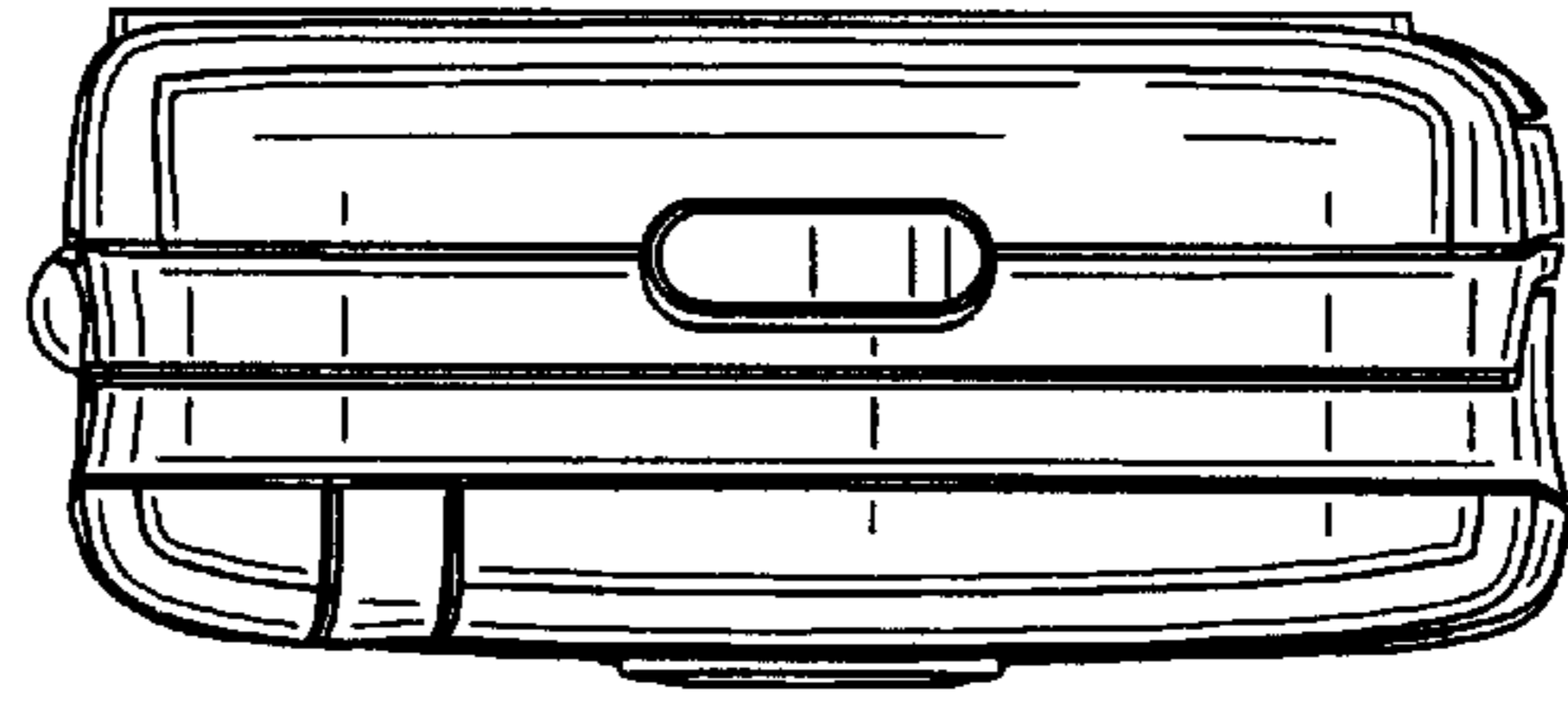


FIG. 5

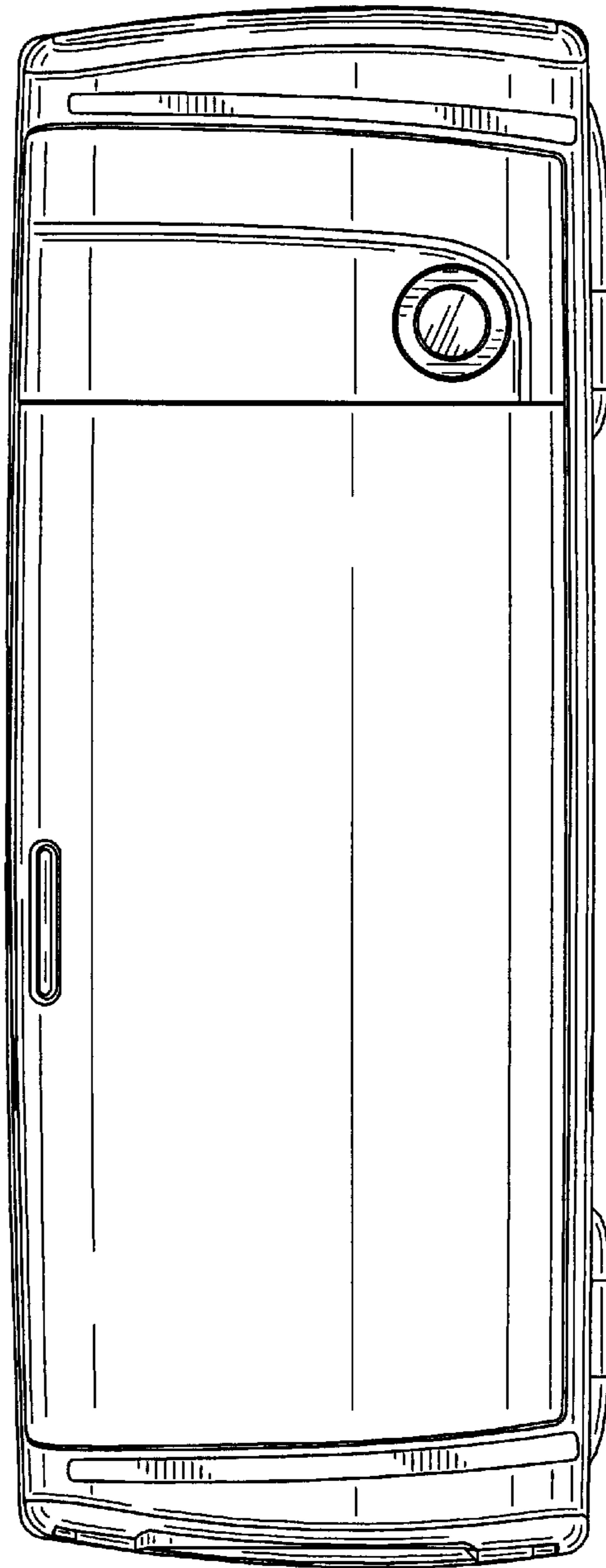


FIG. 6

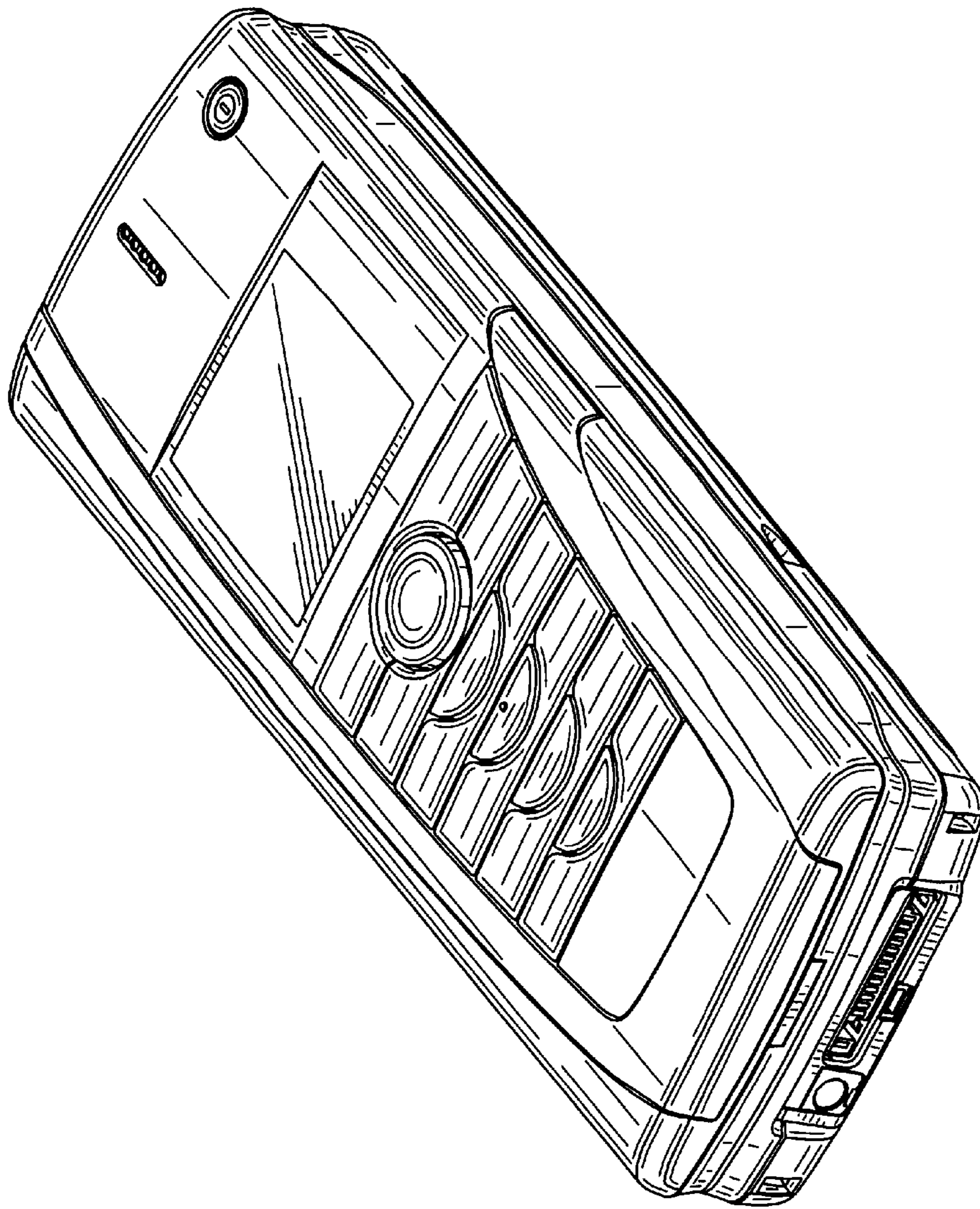


FIG. 7

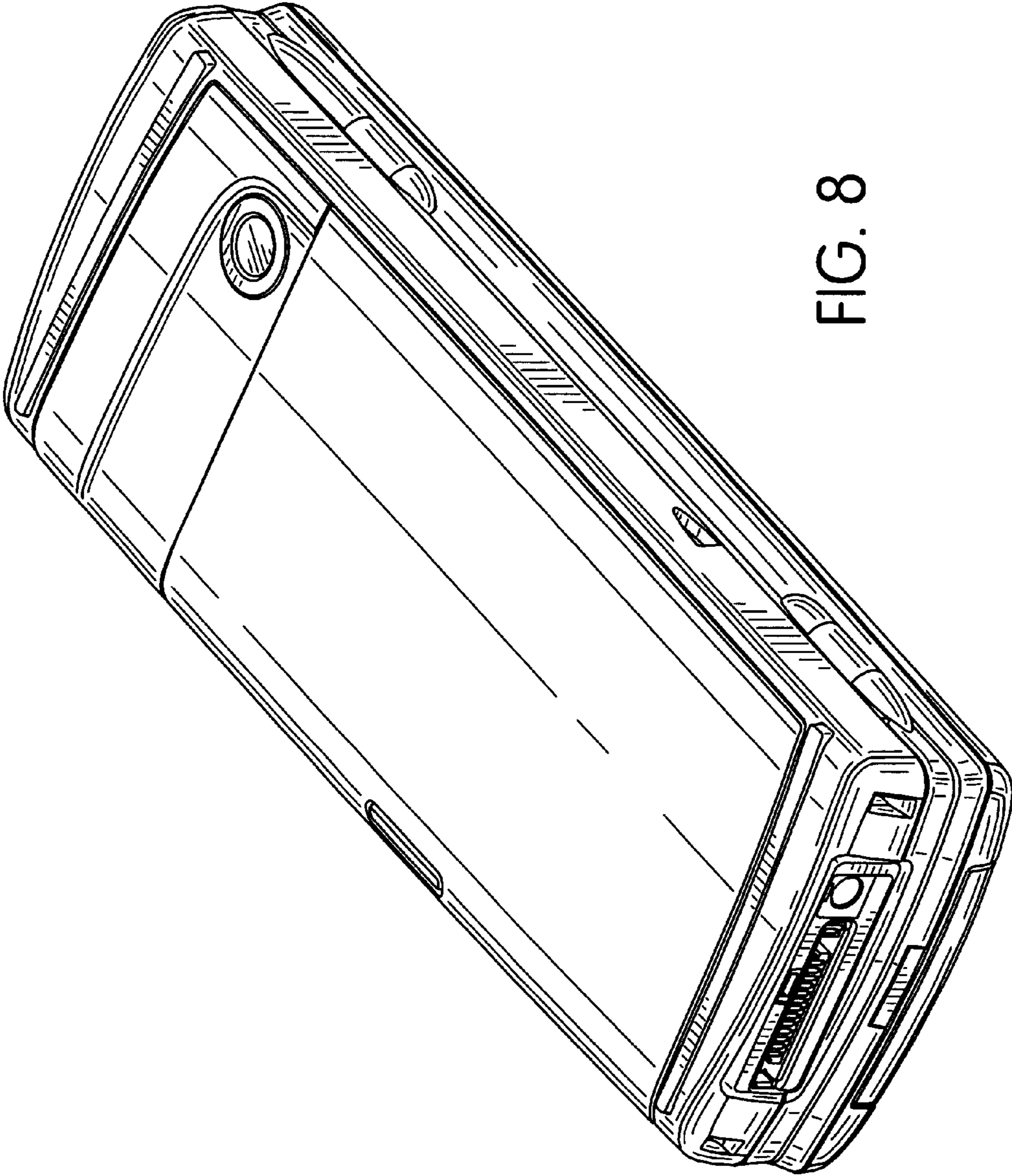


FIG. 8

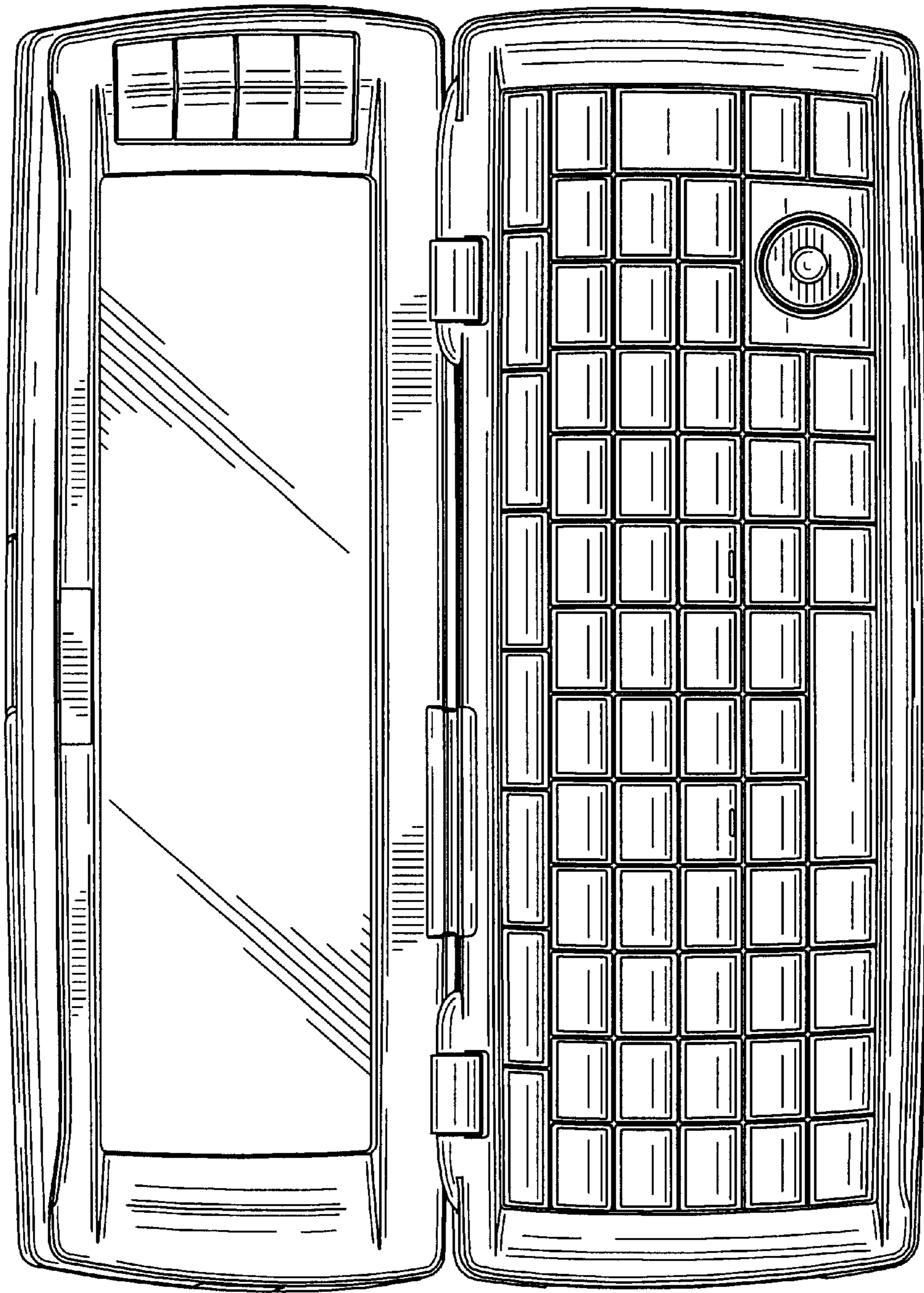


FIG. 9

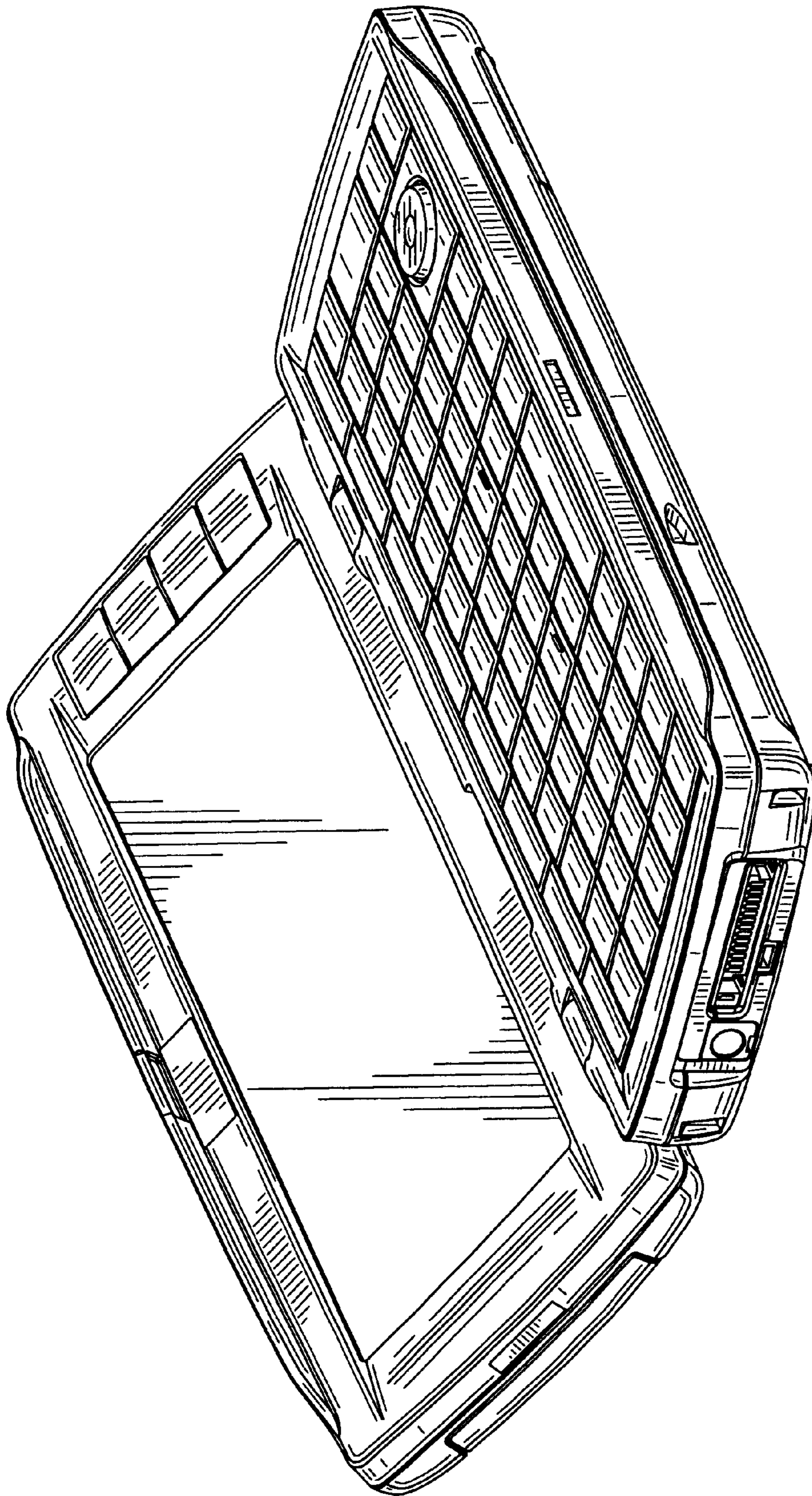


FIG. 10