



US00D519092S

(12) **United States Design Patent**  
**Tejima**

(10) **Patent No.:** **US D519,092 S**  
(45) **Date of Patent:** **\*\* Apr. 18, 2006**

(54) **DISC PLAYER**

(75) Inventor: **Keisuke Tejima**, Tokyo (JP)

(73) Assignee: **Sony Corporation**, Tokyo (JP)

(\*\*) Term: **14 Years**

(21) Appl. No.: **29/217,050**

(22) Filed: **Nov. 15, 2004**

(51) **LOC (8) Cl.** ..... **14-01**

(52) **U.S. Cl.** ..... **D14/136**

(58) **Field of Classification Search** ..... D14/135-136,  
D14/156-157, 160-165, 167-168, 192-198,  
D14/188, 217, 257, 258, 445; 360/99.02,  
360/99.07; 369/75.11, 75.21, 77.21, 77.11;  
720/612, 619, 647, 655; 455/344, 347-351

See application file for complete search history.

(56) **References Cited**

**U.S. PATENT DOCUMENTS**

D462,941 S	*	9/2002	Woo	.....	D14/136
D467,567 S		12/2002	Tsuge		
D472,534 S	*	4/2003	Ueno et al.	.....	D14/136
D483,728 S	*	12/2003	Kim	.....	D14/136

**OTHER PUBLICATIONS**

Web page "DVP-NS575P/B" [http://www.sonystyle.com/is-bin/INTERSHOP.enfinity/eCS/Store/en/-/USD/SY\\_ParametricSearch-Start;sid=](http://www.sonystyle.com/is-bin/INTERSHOP.enfinity/eCS/Store/en/-/USD/SY_ParametricSearch-Start;sid=)

ZXUpGezGUDIpJK1UAVMjEqPXtsQBKcplk\_4=  
?search\_keyword=DVP-NS575P%2FB&selected\_  
category\_name=None&SearchAll.x=9&SearchAll.y=8, 1  
Sheet, Sony (Sep. 2004).  
Web page "DVP-NS575P/S" [http://www.sonystyle.com/is-bin/INTERSHOP.enfinity/eCS/Store/en/-/USD/SY\\_ParametricSearch-Start;sid=](http://www.sonystyle.com/is-bin/INTERSHOP.enfinity/eCS/Store/en/-/USD/SY_ParametricSearch-Start;sid=)  
ZXUpGezGUDIpJK1UAVMjEqPXtsQBKcplk\_4=  
?search\_keyword=DVP-NS575P%2FB&selected\_  
category\_name=None&SearchAll.x=9&SearchAll.y=8, 1  
Sheet, Sony (Sep. 2004).

\* cited by examiner

*Primary Examiner*—Nanda Bondade  
(74) *Attorney, Agent, or Firm*—Rader, Fishman & Grauer  
PLLC

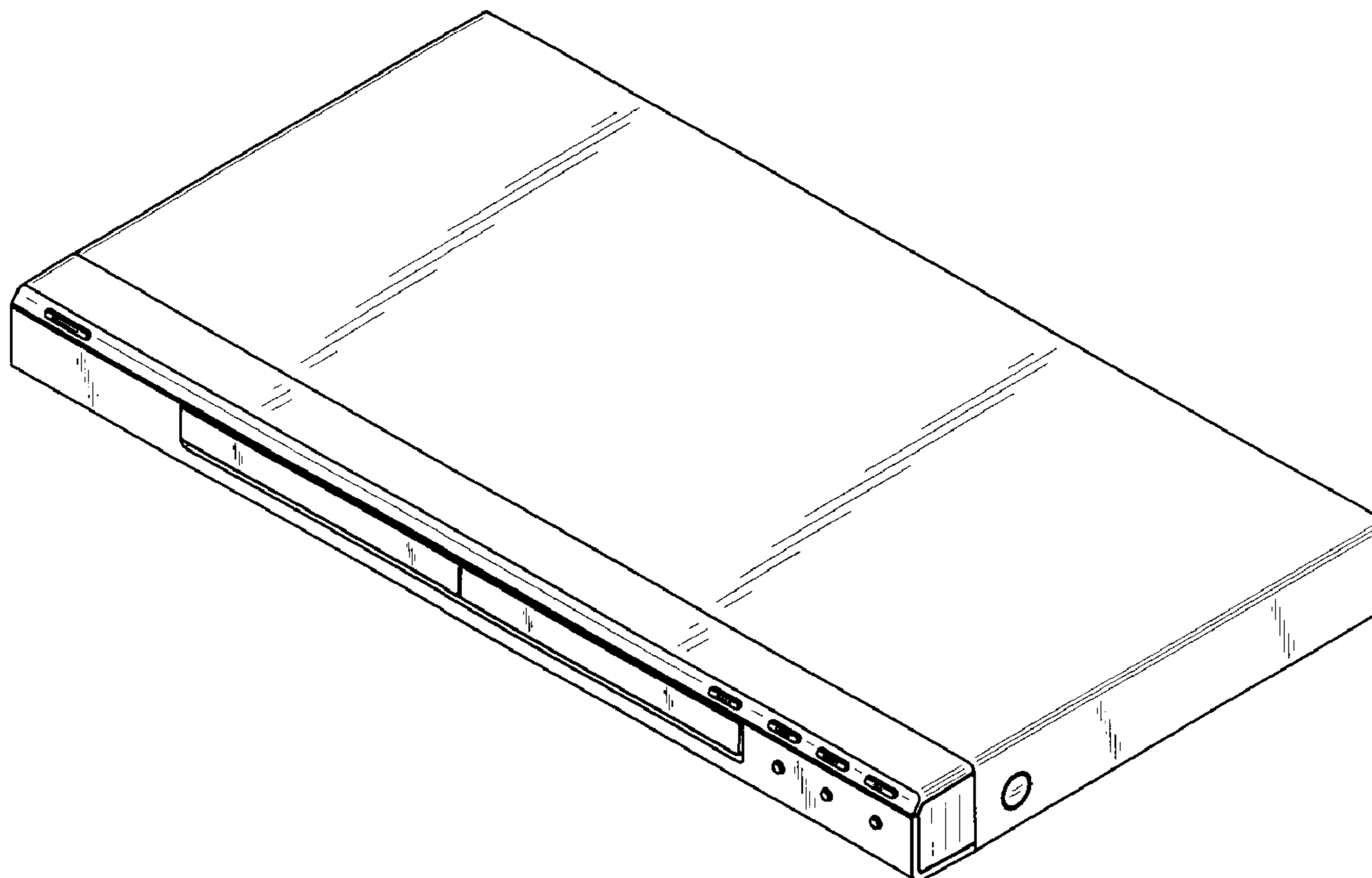
(57) **CLAIM**

The ornamental design for a disc player, as shown.

**DESCRIPTION**

FIG. 1 is a perspective view of a disc player showing my new design;  
FIG. 2 is a front elevational view thereof;  
FIG. 3 is a rear elevational view thereof;  
FIG. 4 is a left side elevational view thereof;  
FIG. 5 is a right side elevational view thereof;  
FIG. 6 is a top plan view thereof; and,  
FIG. 7 is a bottom plan view thereof.

**1 Claim, 4 Drawing Sheets**



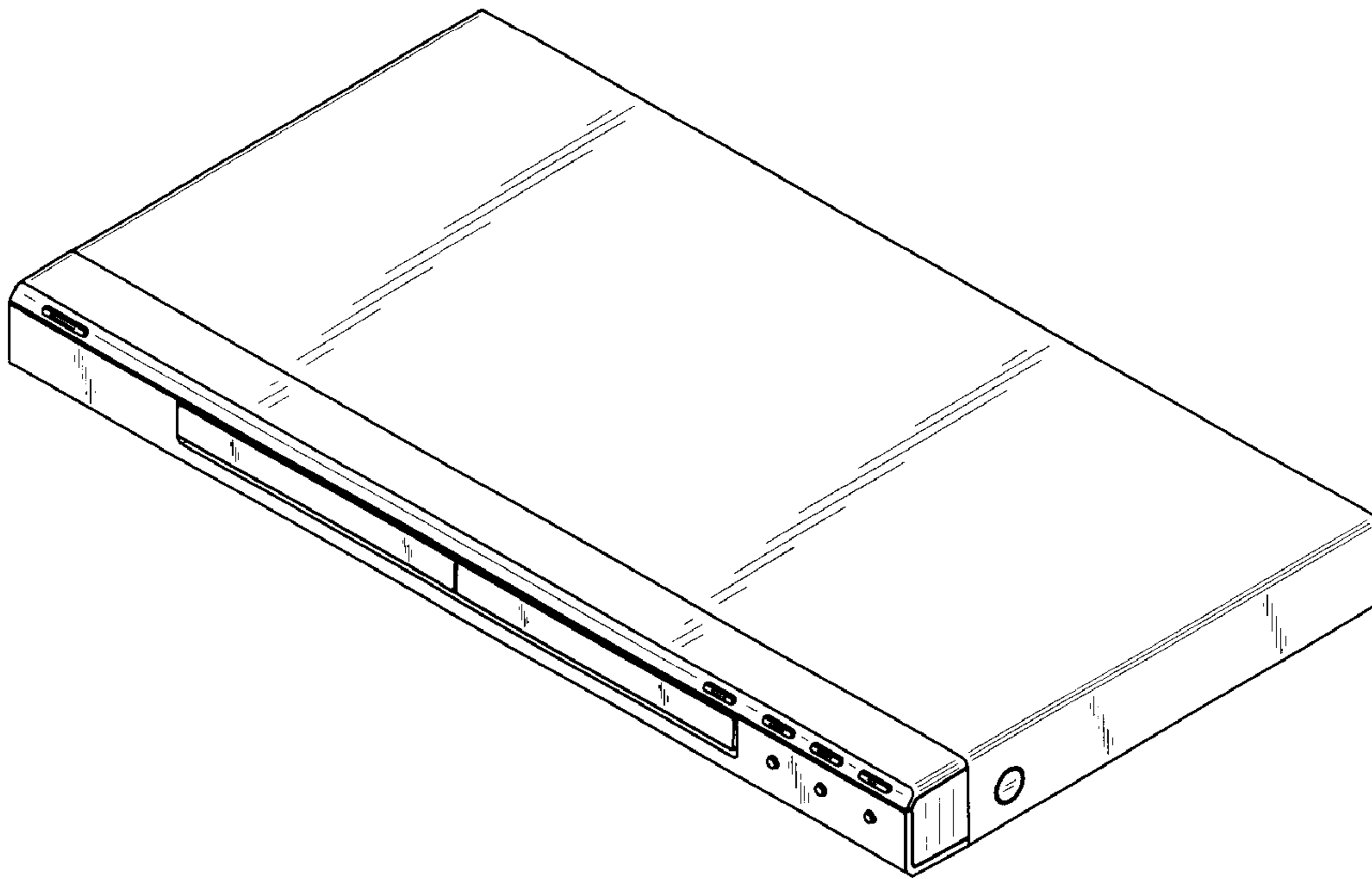


FIG. 1

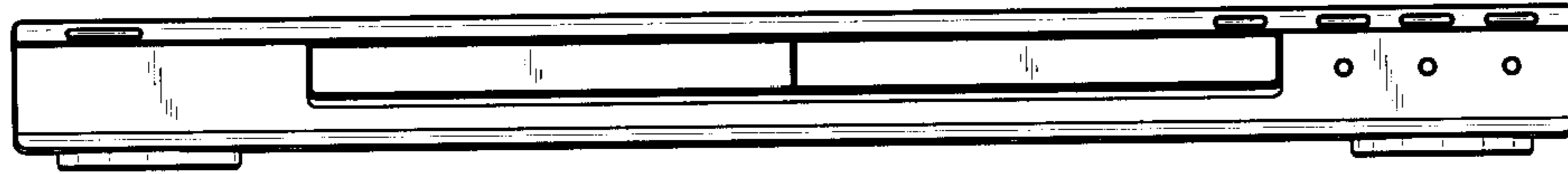


FIG. 2

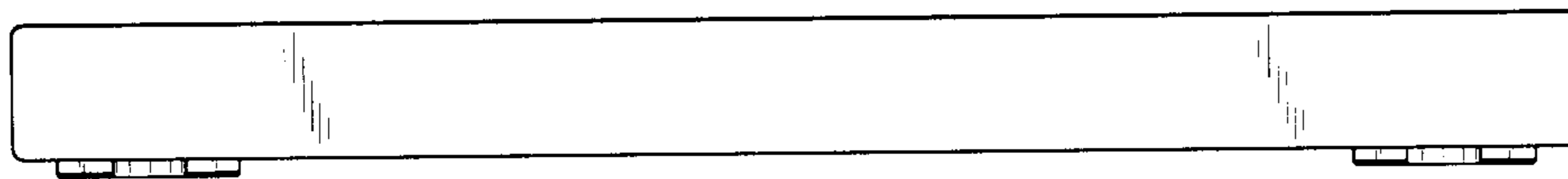
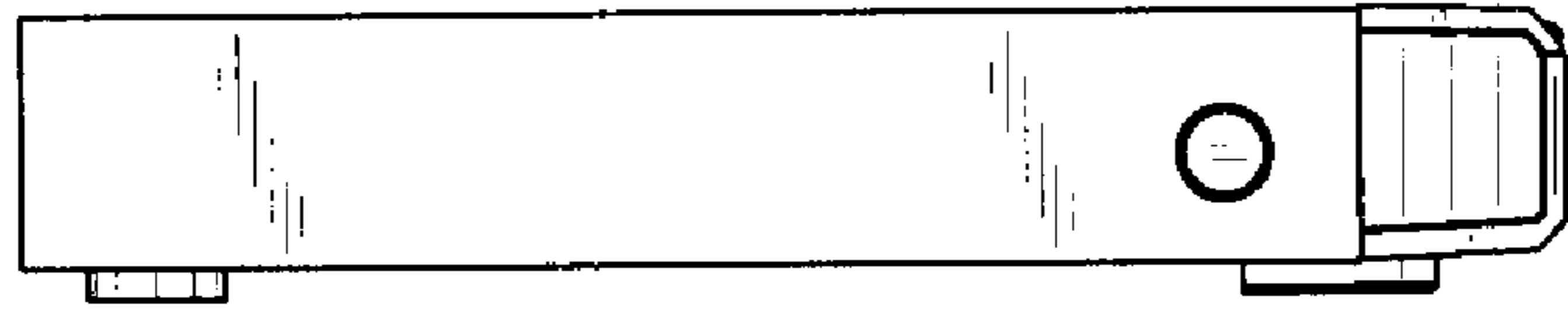
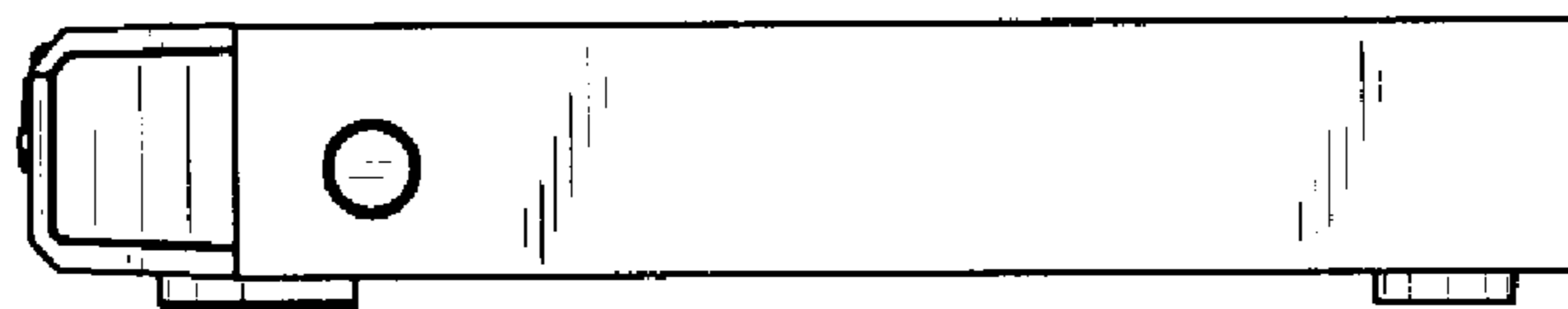


FIG. 3



*FIG. 4*



*FIG. 5*

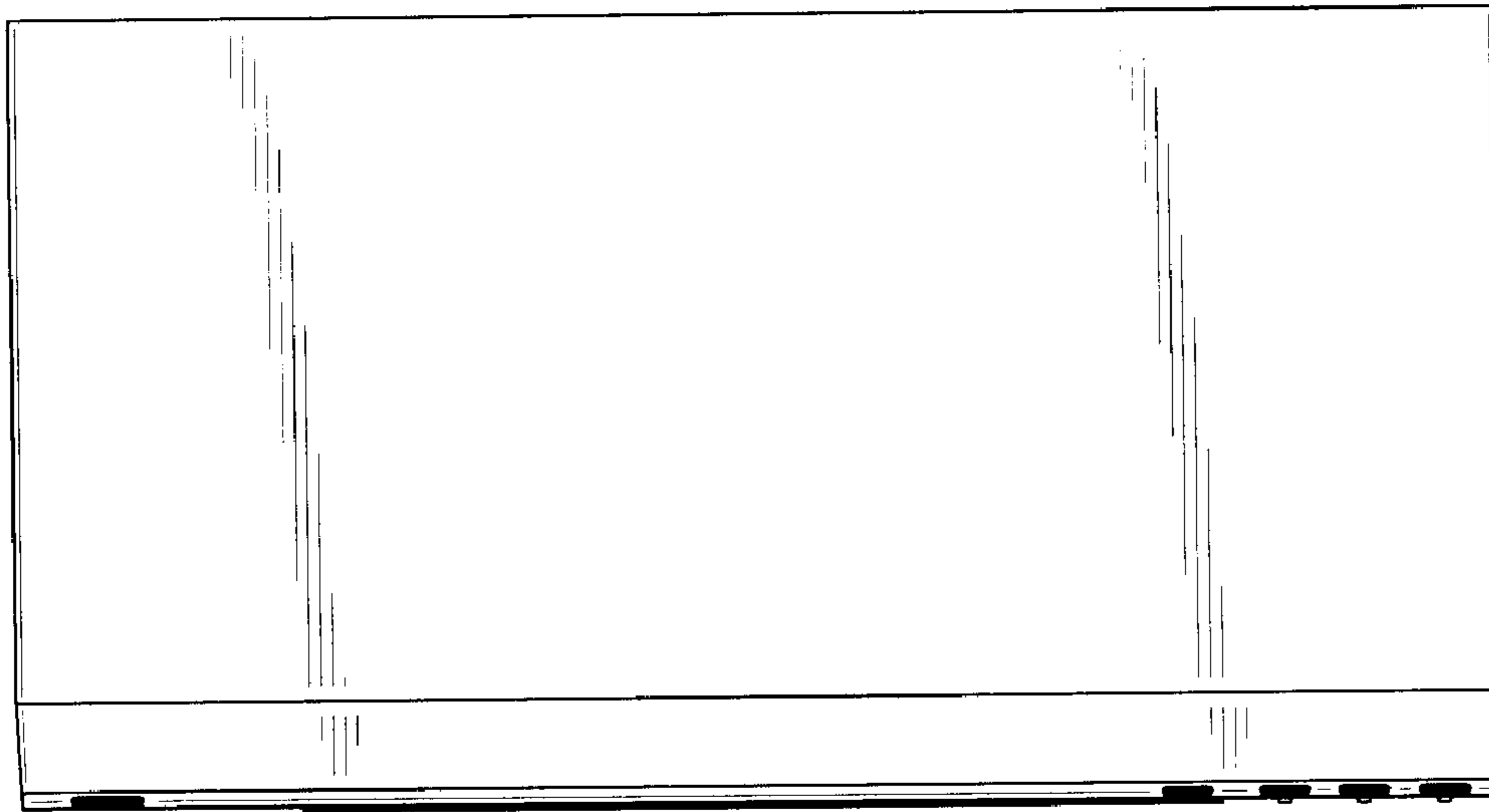


FIG. 6

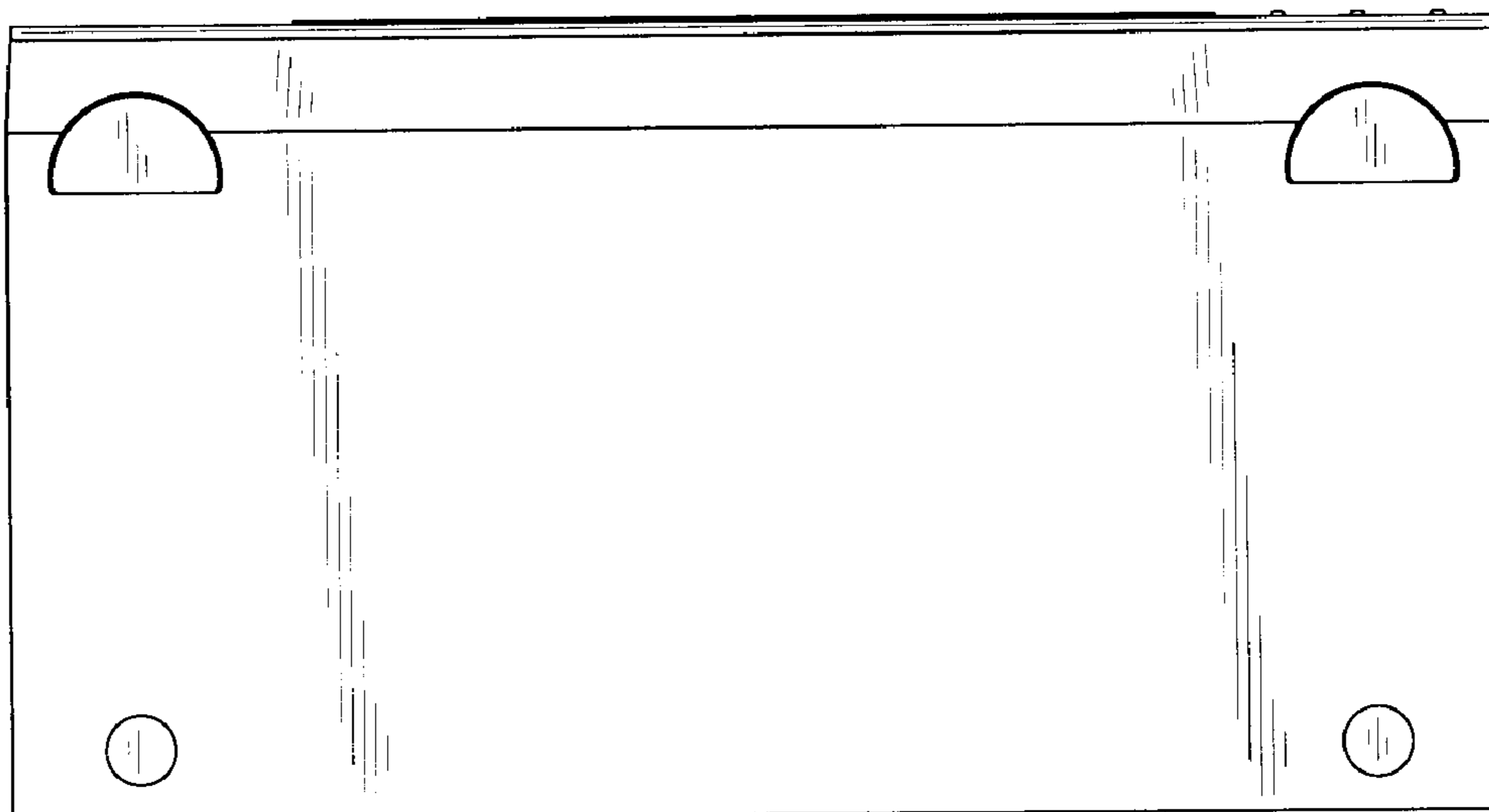


FIG. 7