



US00D519086S

(12) **United States Design Patent**  
**Bluemel**

(10) **Patent No.:** **US D519,086 S**

(45) **Date of Patent:** **\*\* Apr. 18, 2006**

(54) **AIR-BREAK CONTACTOR**

(75) Inventor: **Thomas Bluemel**, Moehrendorf (DE)

(73) Assignee: **Siemens Aktiengesellschaft**, Munich (DE)

(\*\*) Term: **14 Years**

(21) Appl. No.: **29/129,213**

(22) Filed: **Sep. 8, 2000**

(30) **Foreign Application Priority Data**

Mar. 8, 2000 (DE) ..... 4 00 02 706

(51) **LOC (8) Cl.** ..... **13-03**

(52) **U.S. Cl.** ..... **D13/159**

(58) **Field of Classification Search** ..... D13/159;  
200/280, 303, 293, 294, 297; 331/131, 132,  
331/133, 202, 196, 262, 251  
See application file for complete search history.

(56) **References Cited**

**U.S. PATENT DOCUMENTS**

4,774,484 A \* 9/1988 Lehman et al. .... 335/197

5,424,900 A \* 6/1995 Kiiskinen et al. .... 361/116

D406,564 S \* 3/1999 Gonser ..... D13/159

6,411,184 B1 \* 6/2002 Comtois et al. .... 335/106

D480,364 S \* 10/2003 Bluemel ..... D13/159

D481,362 S \* 10/2003 Nurdogan ..... D13/159

\* cited by examiner

*Primary Examiner*—Stella Reid

*Assistant Examiner*—Selina Sikder

(74) *Attorney, Agent, or Firm*—Kenyon & Kenyon

(57) **CLAIM**

The ornamental design for an air-break contactor, as shown.

**DESCRIPTION**

FIG. 1 is a perspective view of an air-break contactor;

FIG. 2 is a front elevational view thereof;

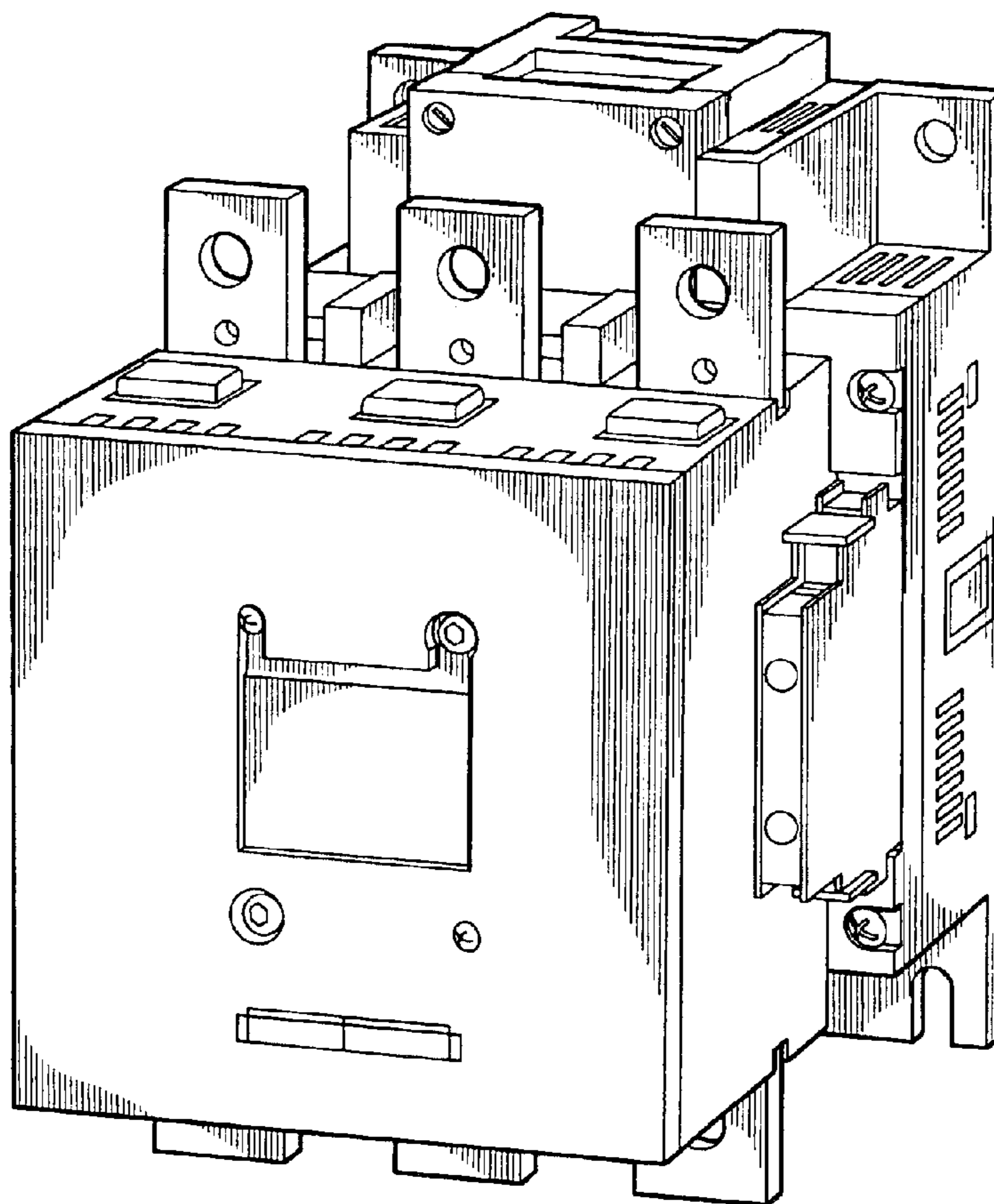
FIG. 3 is a first side elevational view thereof;

FIG. 4 is a second side elevational view thereof;

FIG. 5 is a top plan view thereof; and,

FIG. 6 is a bottom plan view thereof.

**1 Claim, 6 Drawing Sheets**



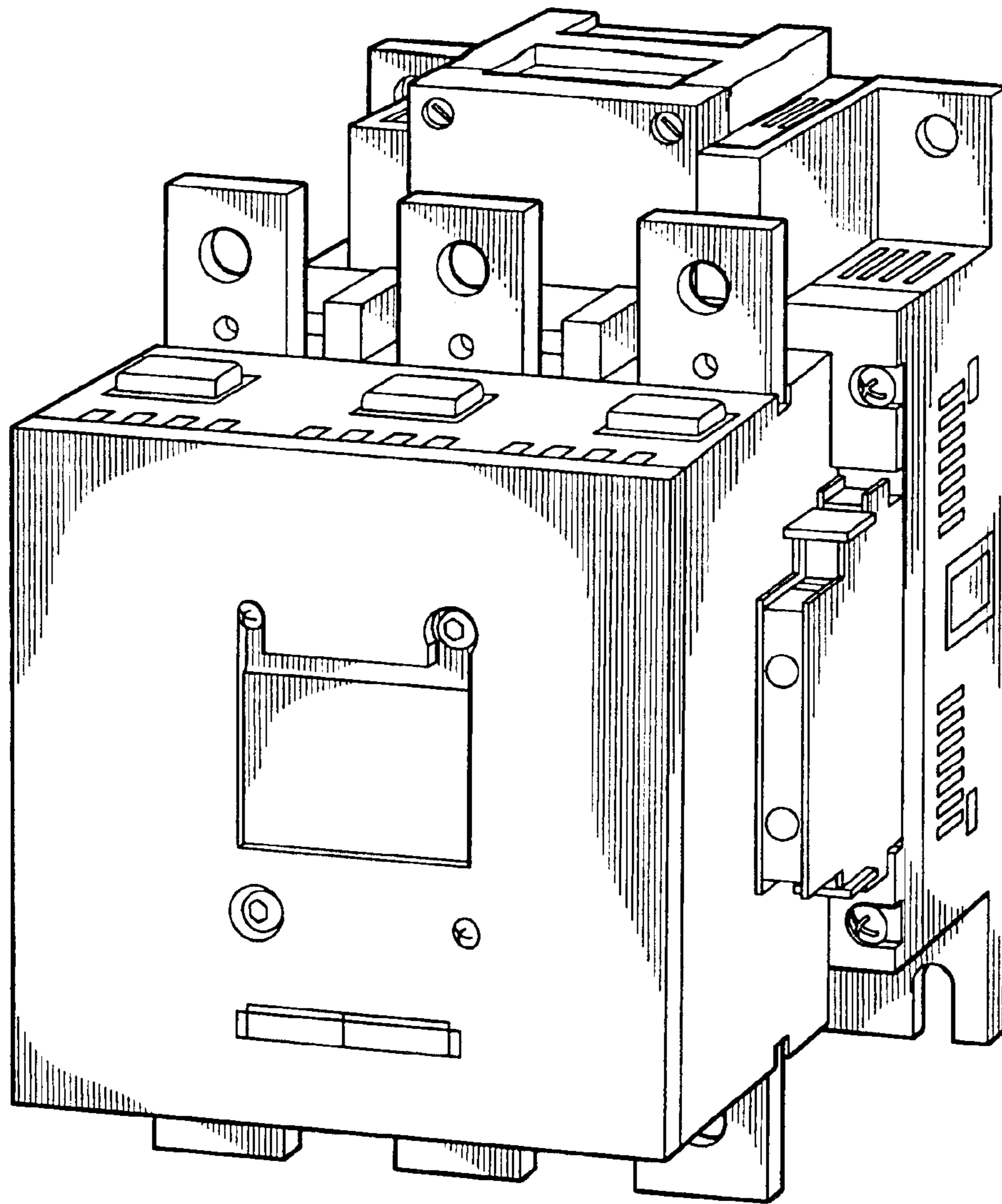


FIG. 1

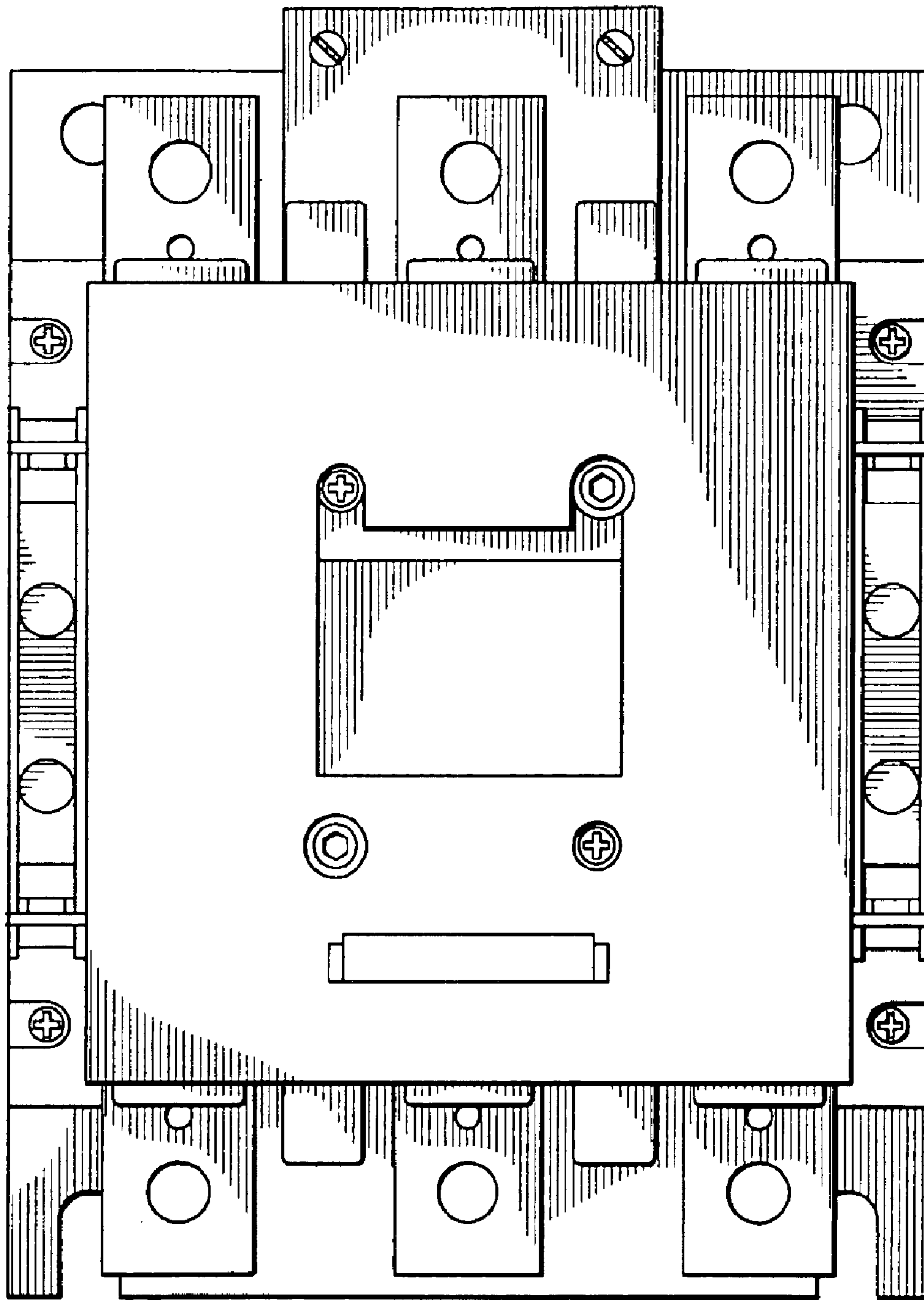
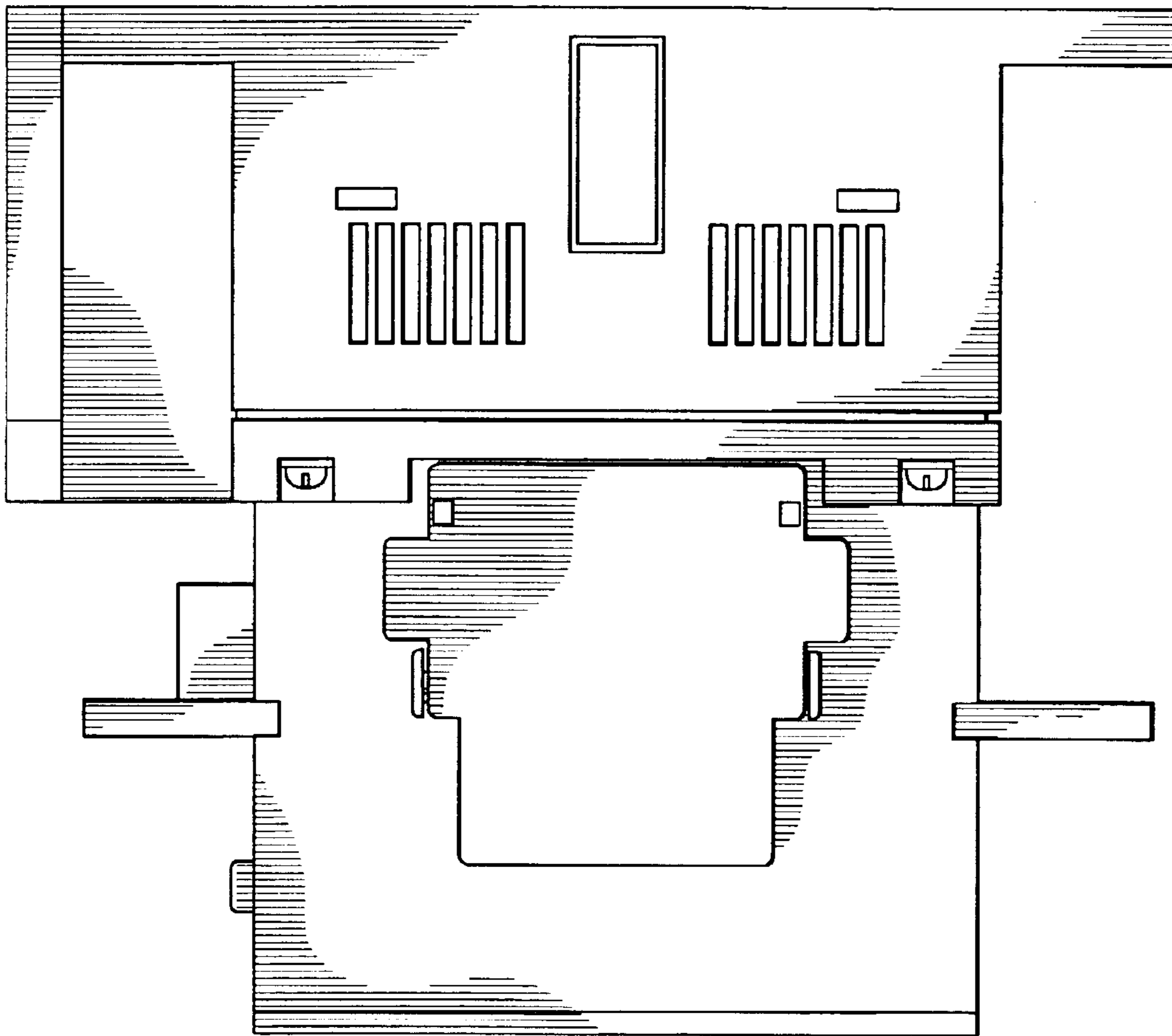
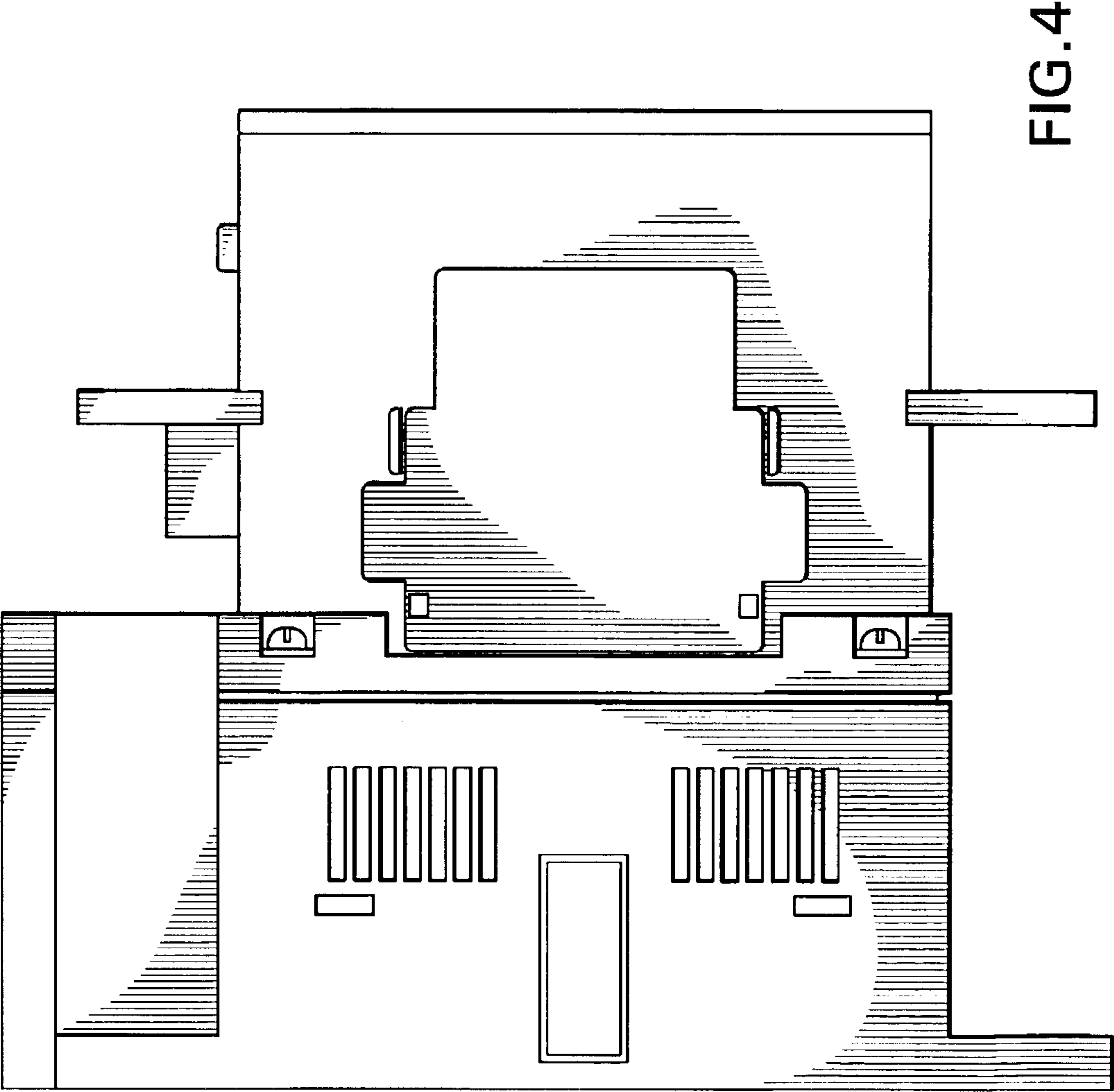


FIG. 2

FIG. 3





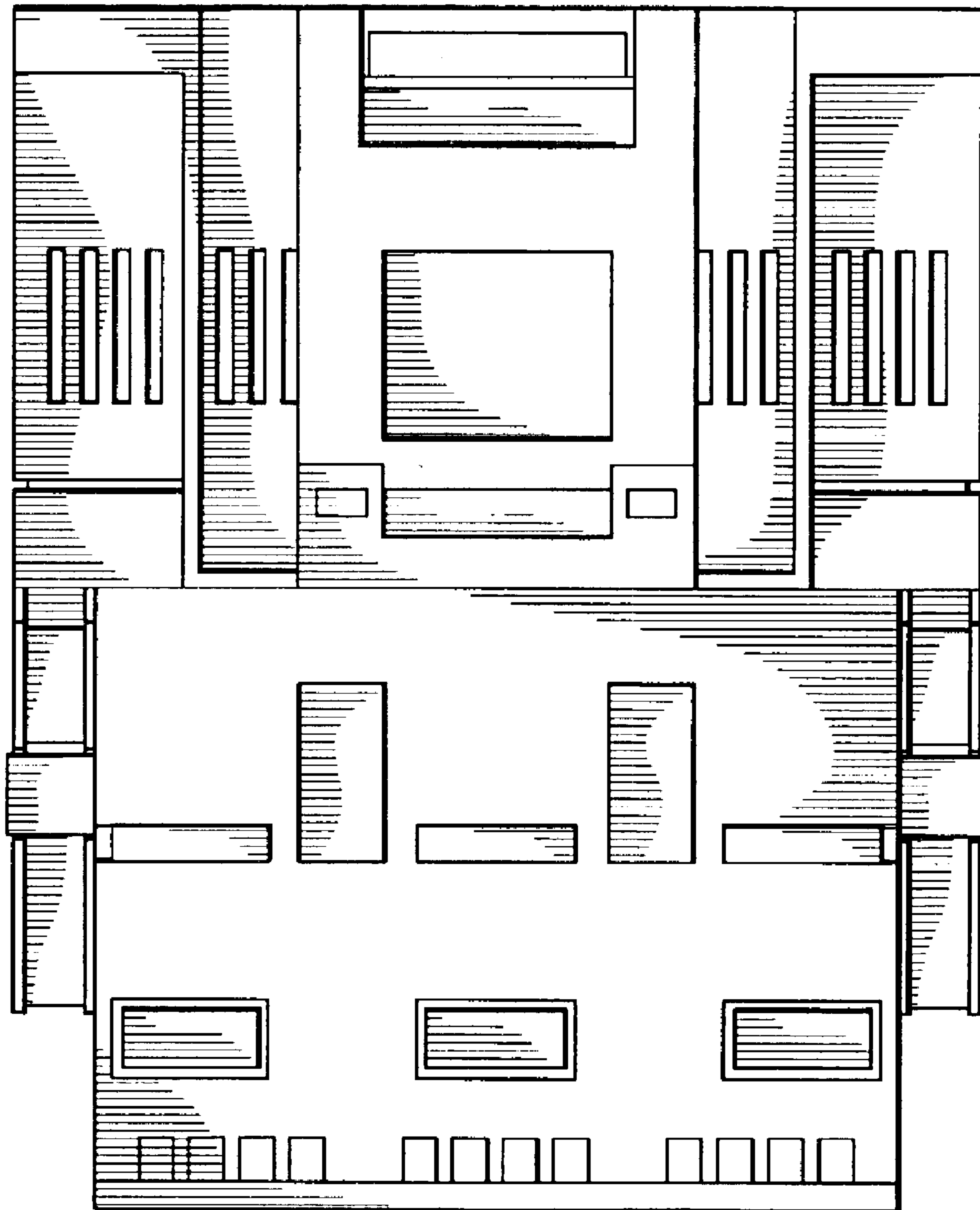


FIG. 5



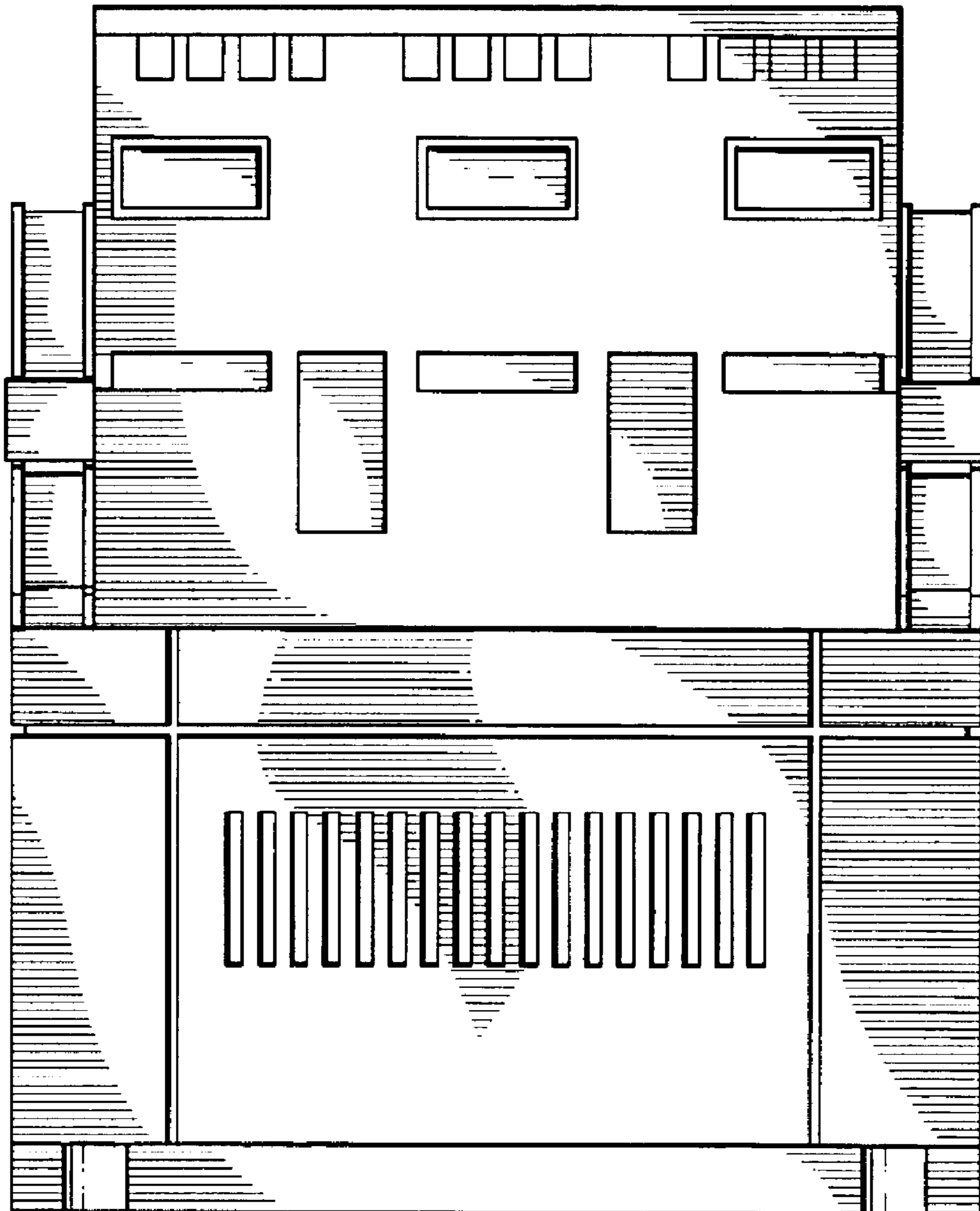


FIG. 6