



US00D519084S

(12) **United States Design Patent**
Hertel et al.

(10) **Patent No.:** **US D519,084 S**
(45) **Date of Patent:** **** Apr. 18, 2006**

(54) **SEVEN CONDUCTOR CABLE WITH
CONVERTER BLOCK FOR SINGLE CABLE
INTERCONNECTIONS**

(75) Inventors: **Steven J. Hertel**, Lakewood, CA (US);
John C. Williams, Covina, CA (US);
Charles J. Ortega, Long Beach, CA
(US)

(73) Assignee: **Metra Electronics Corporation**, Holly
Hill, FL (US)

(**) Term: **14 Years**

(21) Appl. No.: **29/183,928**

(22) Filed: **Jun. 20, 2003**

(51) **LOC (8) Cl.** **13-03**

(52) **U.S. Cl.** **D13/154**

(58) **Field of Classification Search** D13/133,
D13/147, 154, 156; 174/72 R; 439/63, 502,
439/578, 623, 668, 675

See application file for complete search history.

(56) **References Cited**

U.S. PATENT DOCUMENTS

4,129,352	A	*	12/1978	Iizuka	439/675
5,203,720	A	*	4/1993	Zini	439/502
5,547,399	A	*	8/1996	Naghi et al.	439/623
5,790,896	A	*	8/1998	Nguyen	710/72
D405,049	S	*	2/1999	Huang et al.	D13/133
5,937,950	A	*	8/1999	Adams et al.	174/72 R
D449,275	S	*	10/2001	Goto	D13/147
D473,848	S	*	4/2003	Zheng et al.	D13/147

* cited by examiner

Primary Examiner—Holly Baynham

Assistant Examiner—Cynthia M. Chin

(74) *Attorney, Agent, or Firm*—Fitzpatrick, Cella, Harper &
Scinto

(57) **CLAIM**

We claim the ornamental design for a seven conductor cable with converter block for single cable interconnections, as shown and described.

DESCRIPTION

The appearance of our design for a Seven Conductor Cable and Converter Block for Single Cable Interconnections, characterized by a converter block with seven RCA-style jacks that interconnect with seven flexible conductor cables with RCA-style plugs at each end. The flexible interconnect cable, shown in segment and in dotted line, may be of varying length, and as such is considered environmental structure that is a not part of the claimed design.

FIG. 1 is a left, top and front perspective view, showing a preferred embodiment of our design;

FIG. 2 is a top plan view of FIG. 1, with the seven flexible conductor cables shown in segment;

FIG. 3 is a bottom plan view of FIG. 1, with the seven flexible conductor cables shown in segment;

FIG. 4 is a front elevation view of FIG. 1, with the seven flexible conductor cables shown in segment;

FIG. 5 is a rear elevation view of FIG. 1, with the seven flexible conductor cables shown in segment;

FIG. 6 is a right elevation view of FIG. 1, with the rightmost flexible conductor cable shown in segment;

FIG. 7 is a left elevation view of FIG. 1, with the leftmost flexible conductor cable shown in segment;

FIG. 8 is a left, top and front perspective view, showing a detail of one of the RCA-style plugs, connected to an end of each of the seven flexible conductor cables;

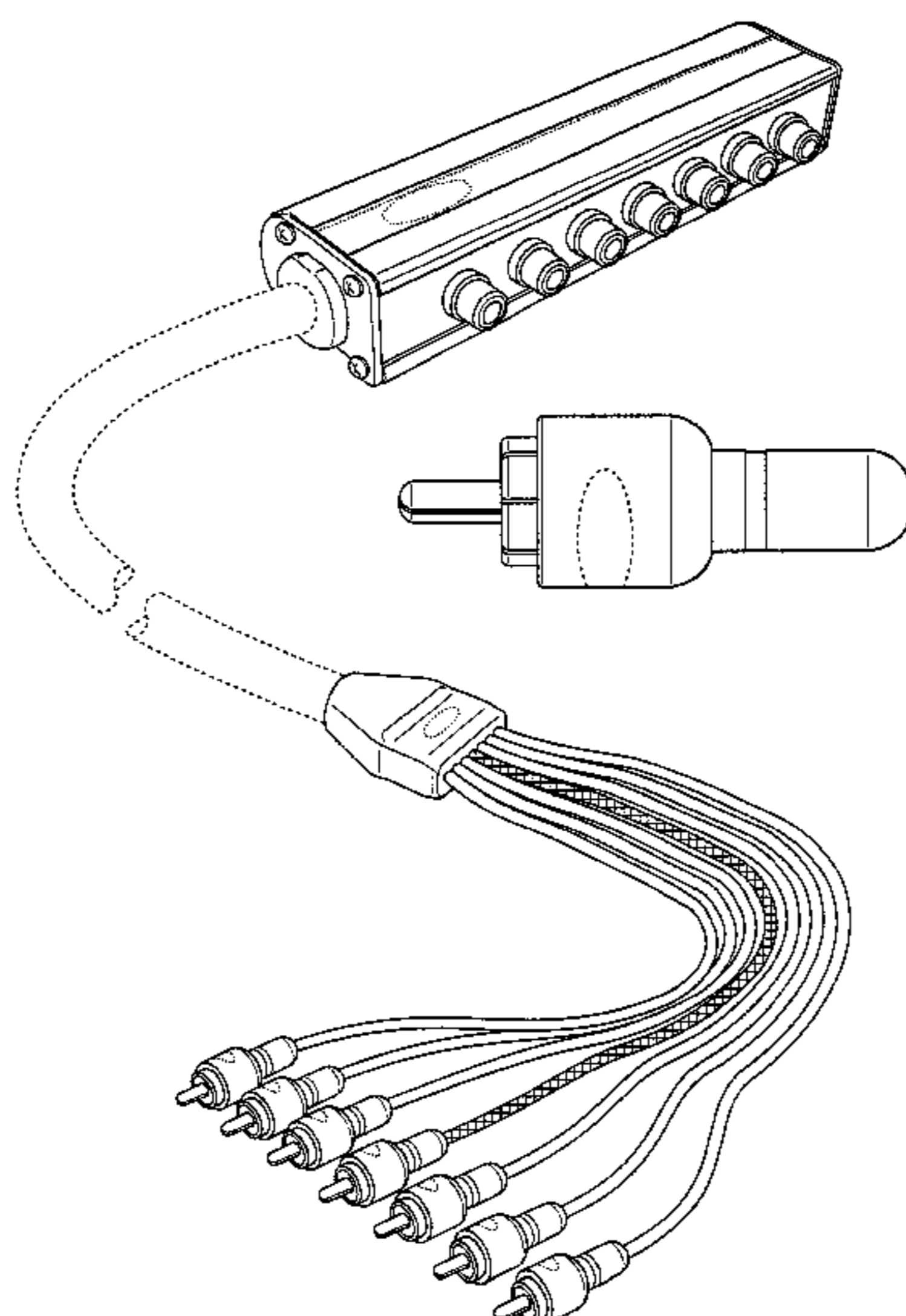
FIG. 9 is a top plan view of FIG. 8, the bottom being a mirror image thereof;

FIG. 10 is a front elevation view of FIG. 8; and,

FIG. 11 is a rear elevation view of FIG. 8.

Elements of the claimed design in FIGS. 2–7 are shown broken away for ease of illustration. Additionally, elements of the claimed design in FIGS. 6–11 are shown detached for clarity of illustration.

1 Claim, 8 Drawing Sheets



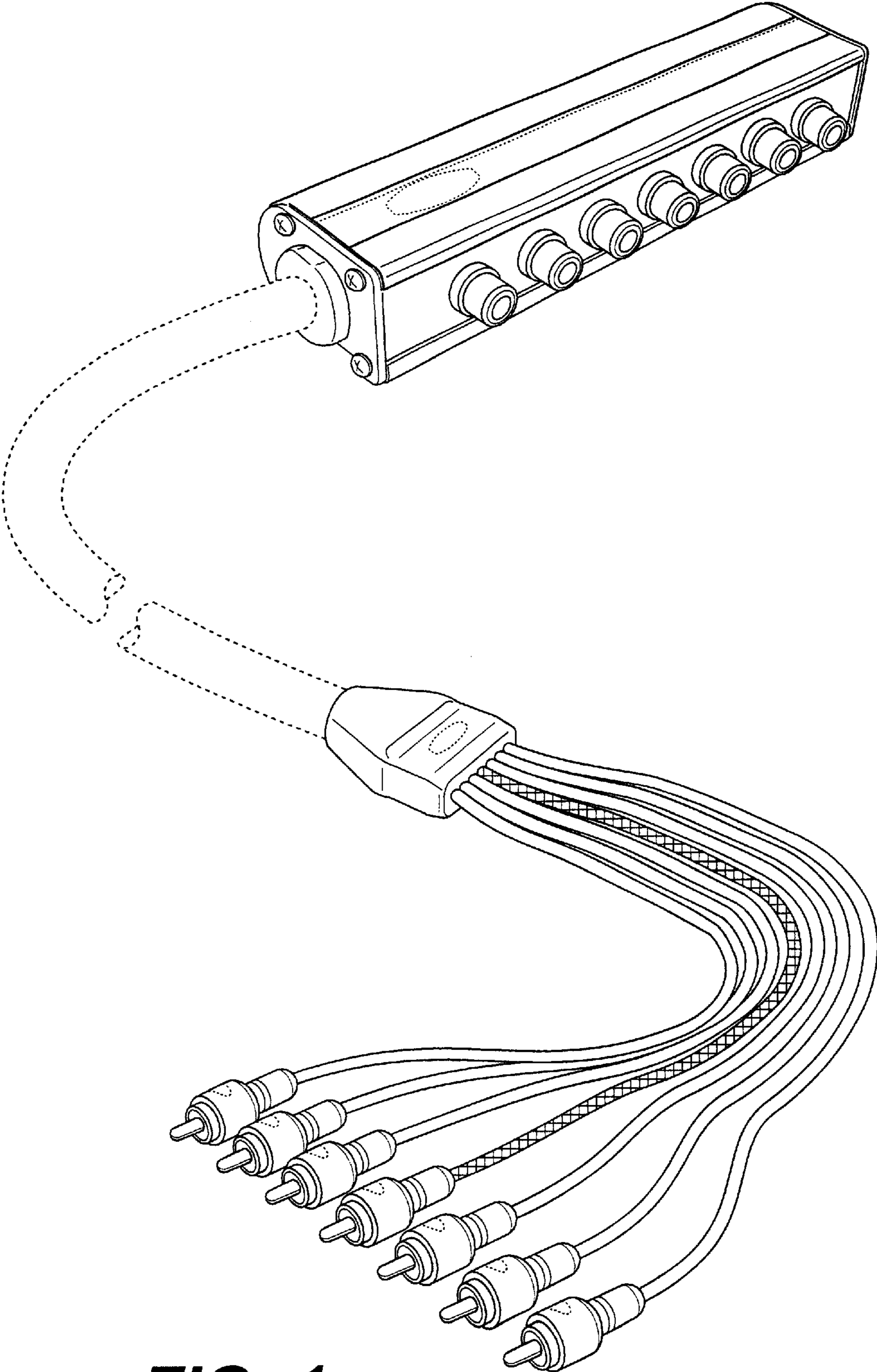


FIG. 1

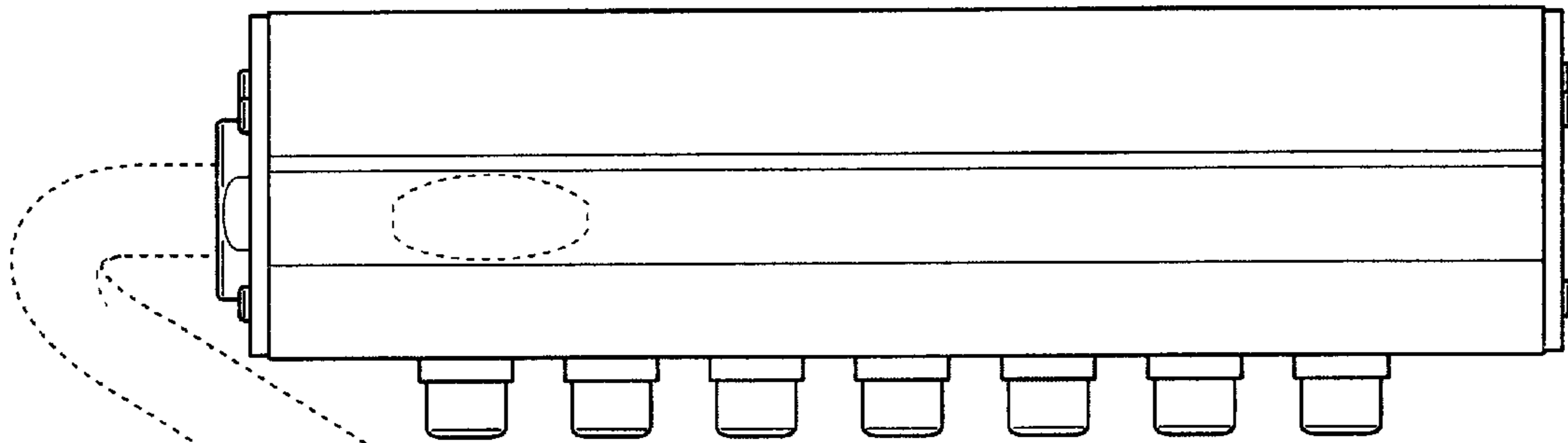
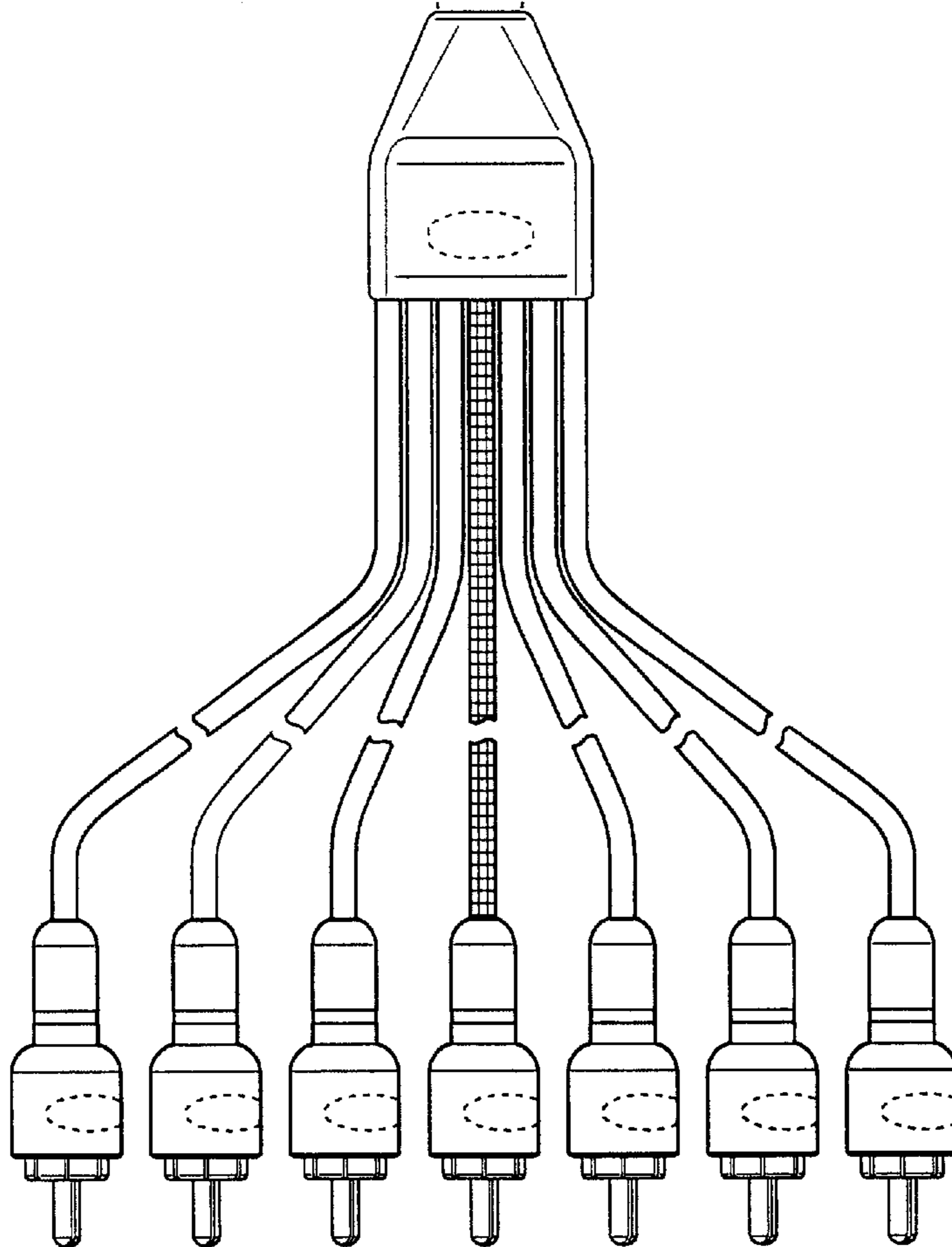


FIG. 2



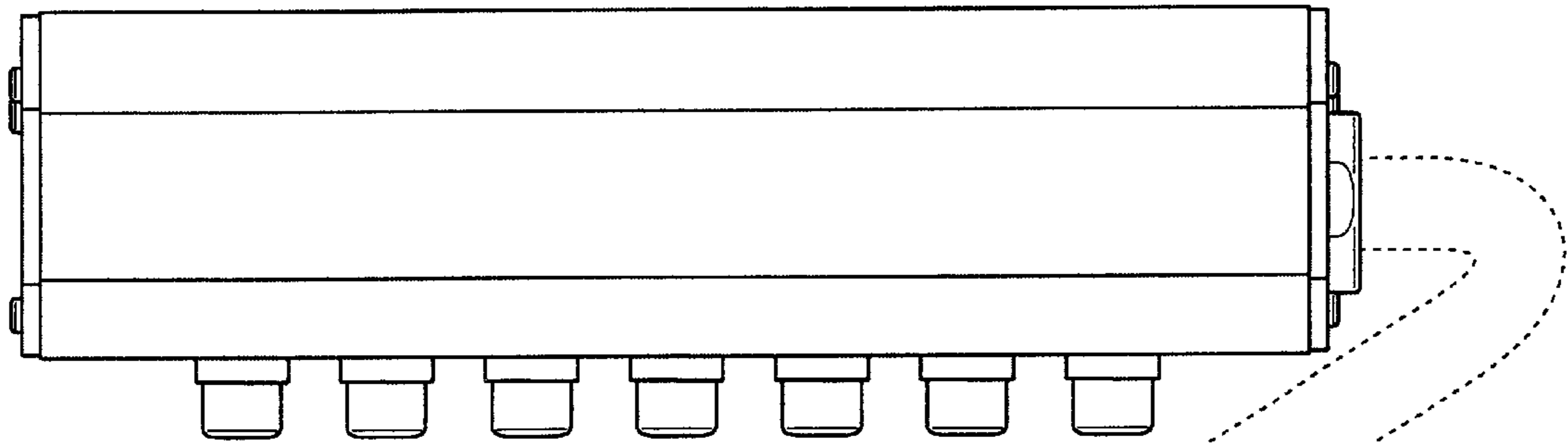
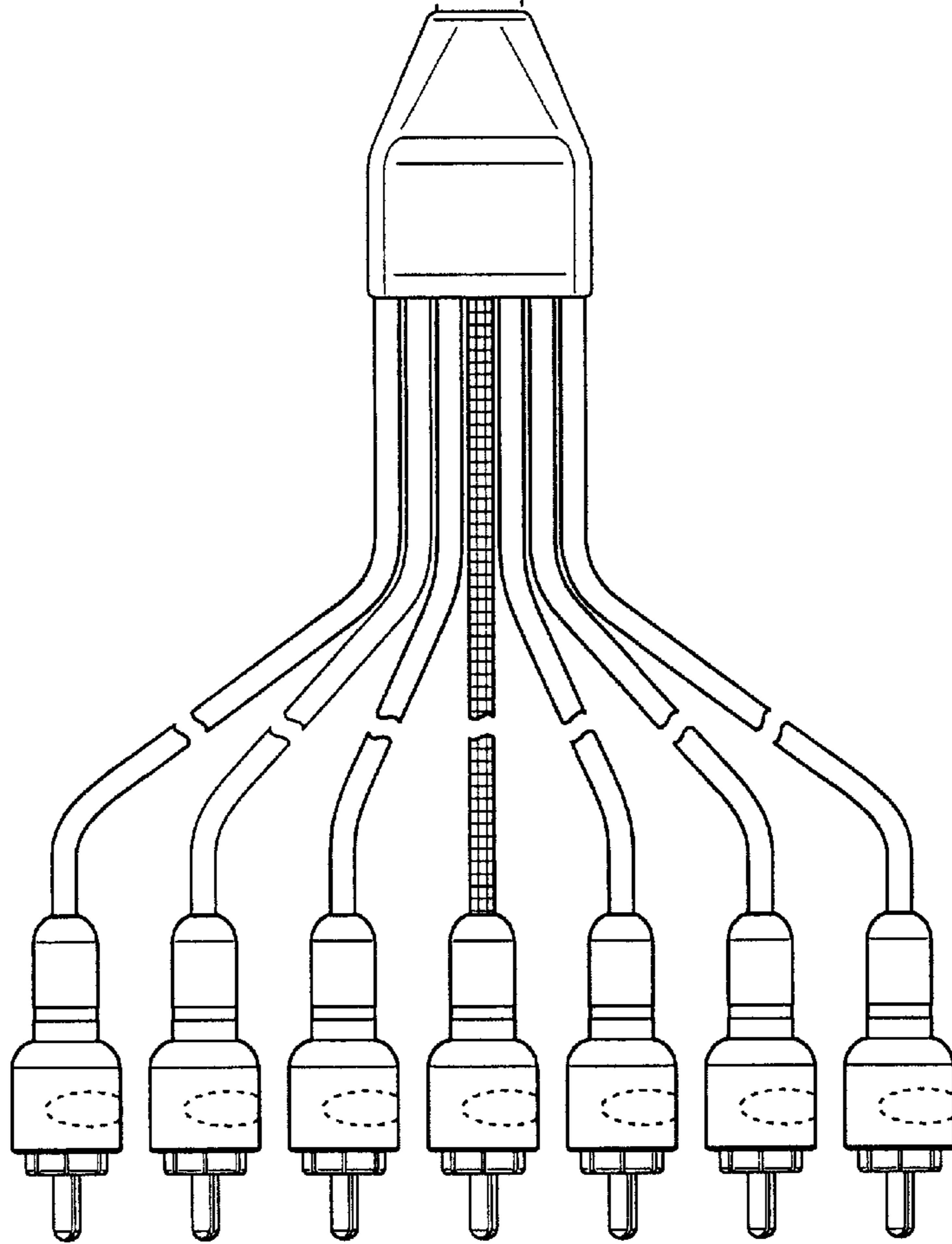


FIG. 3



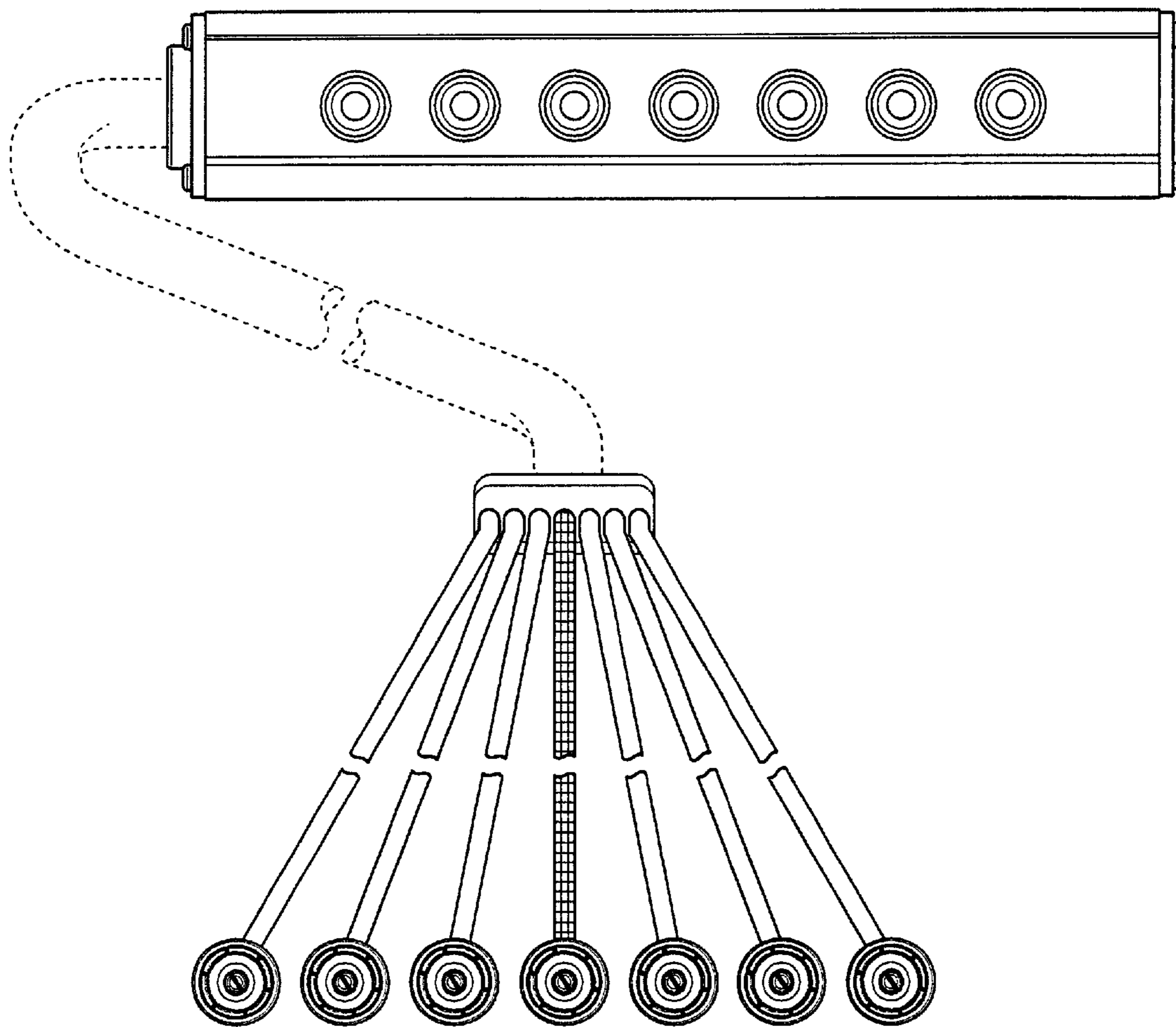


FIG. 4

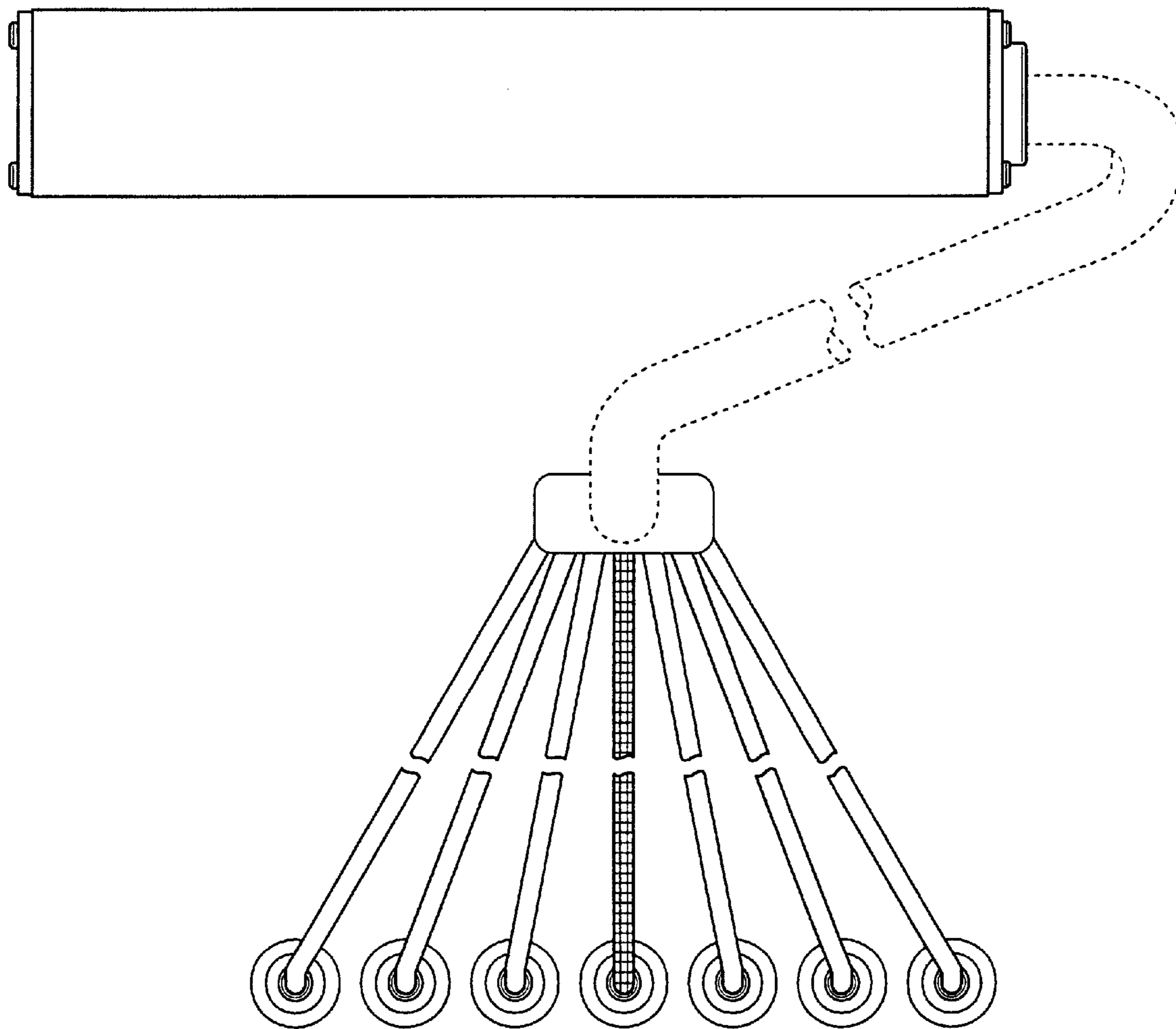


FIG. 5

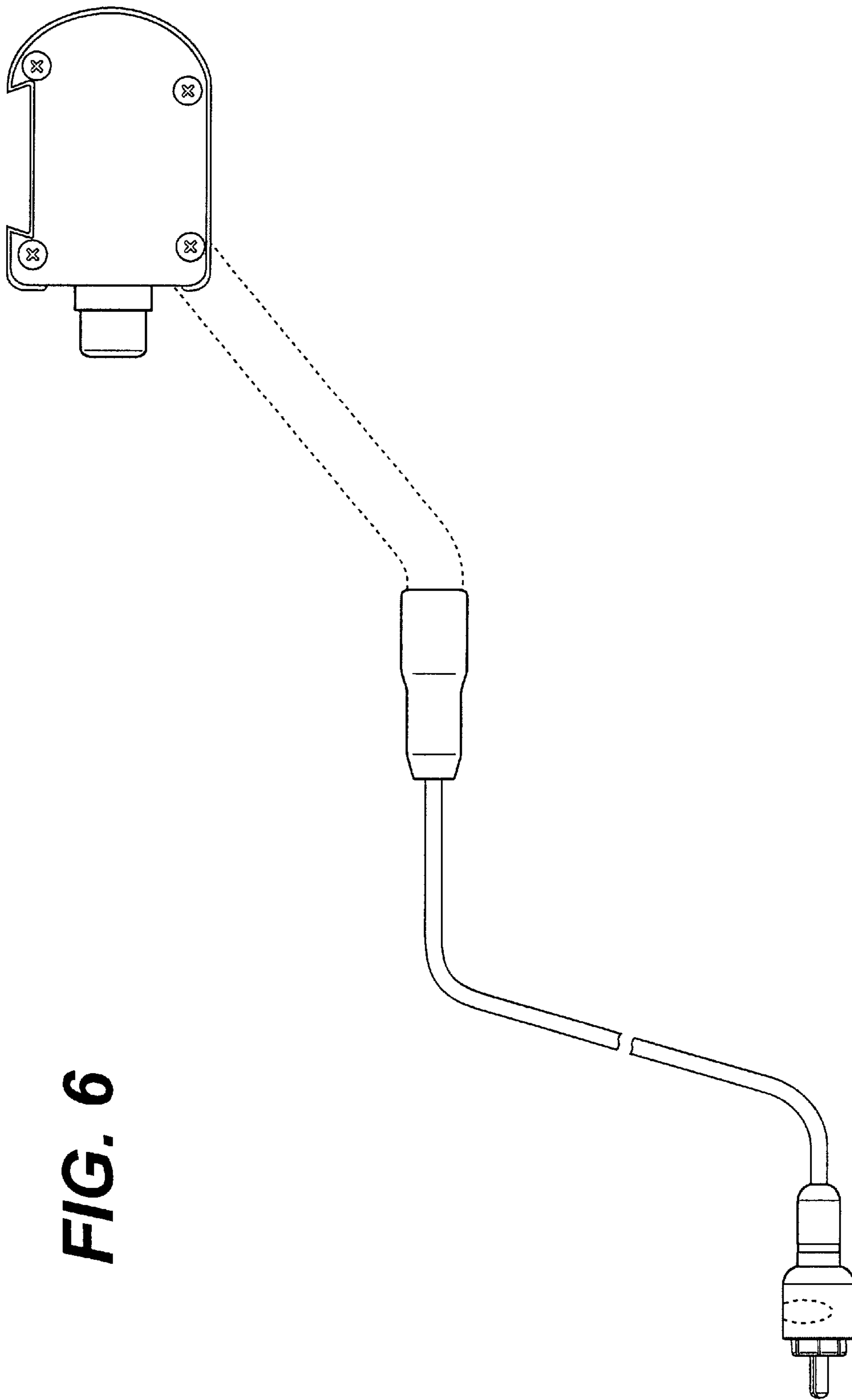
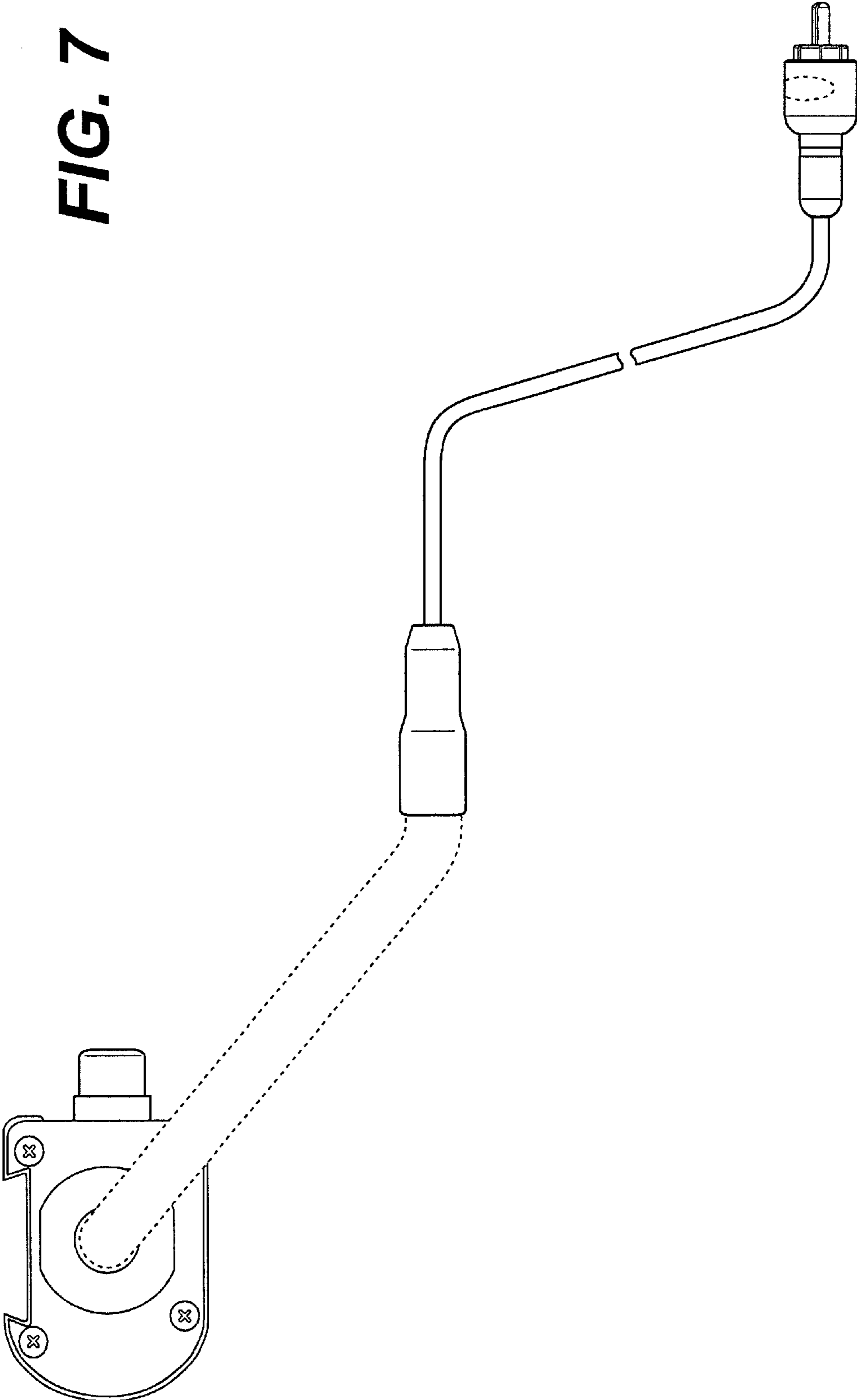


FIG. 6

FIG. 7



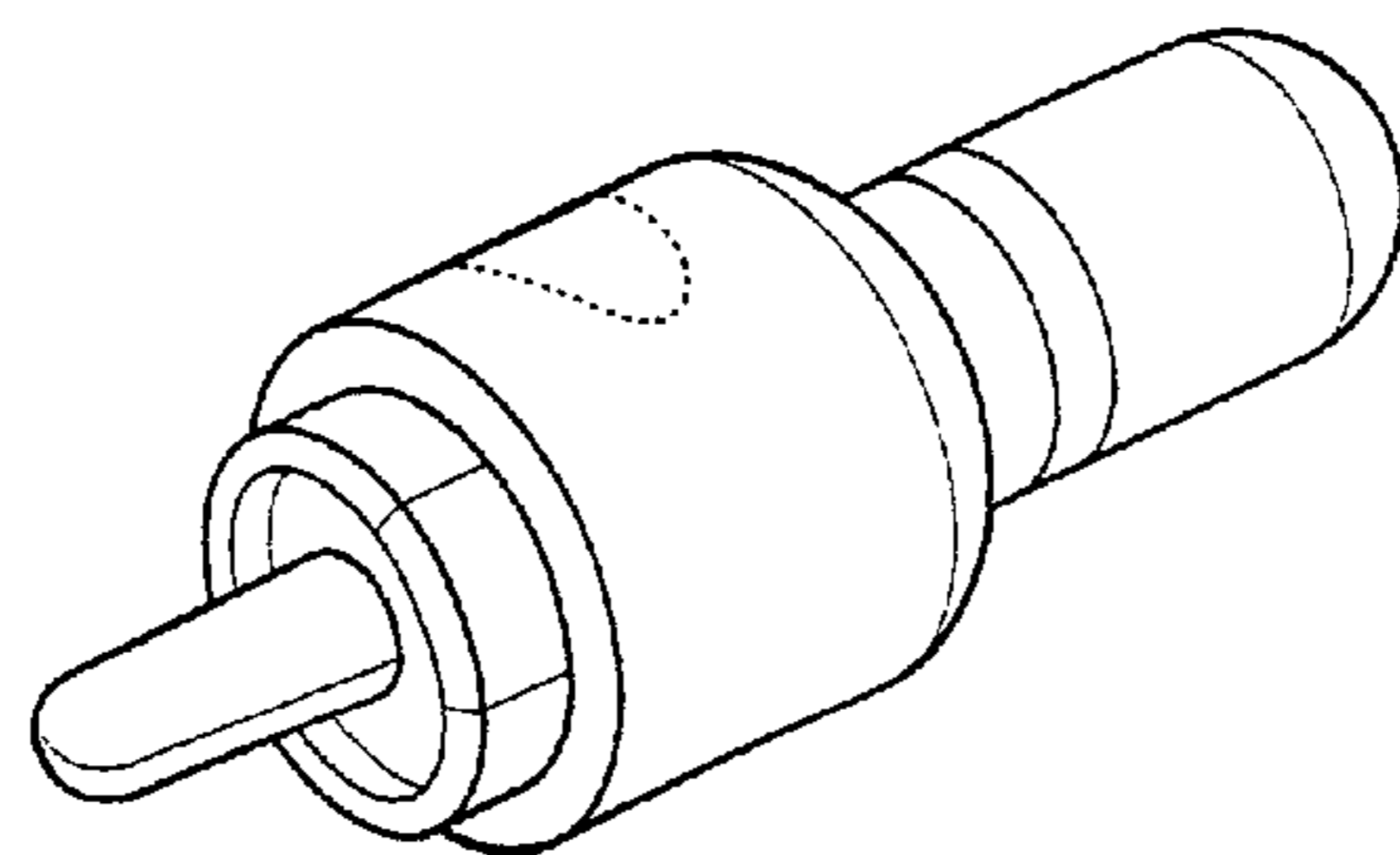


FIG. 8

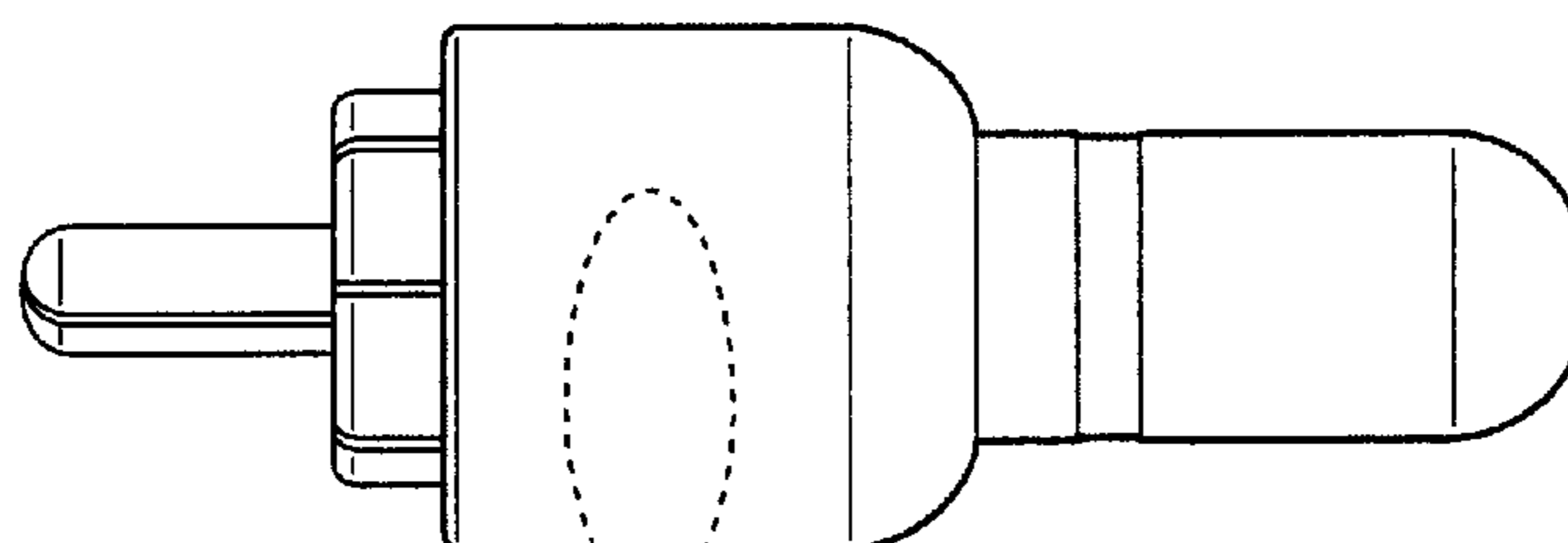


FIG. 9

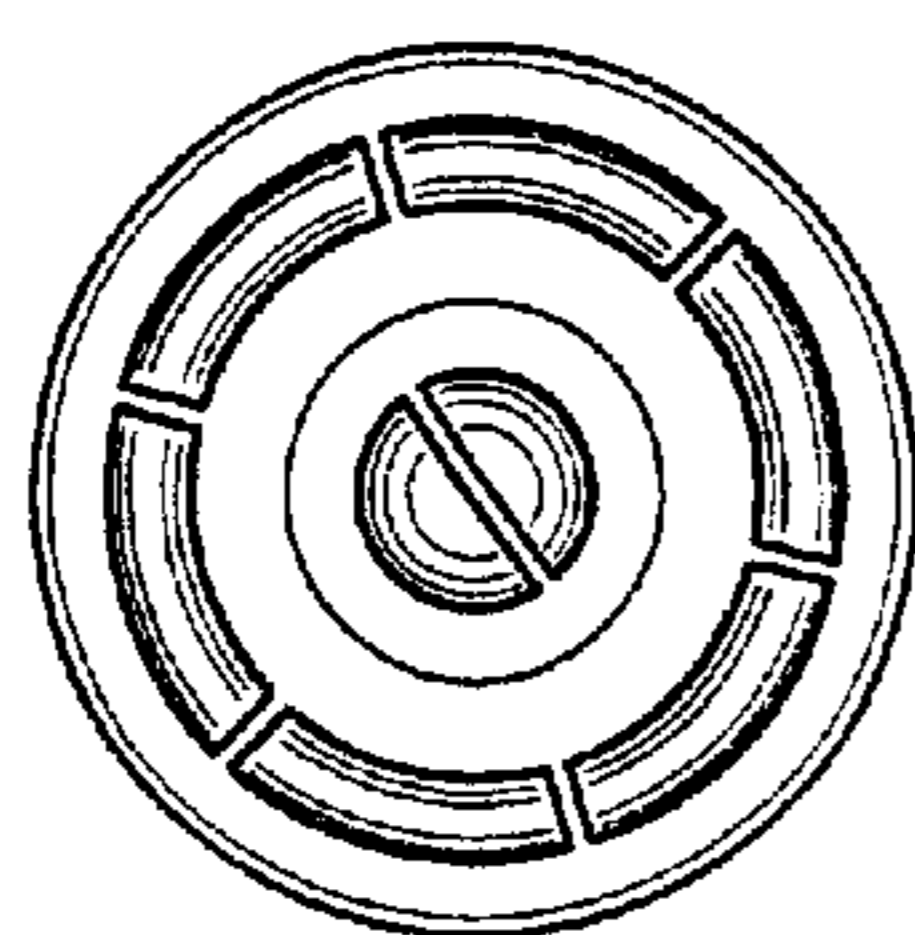


FIG. 10

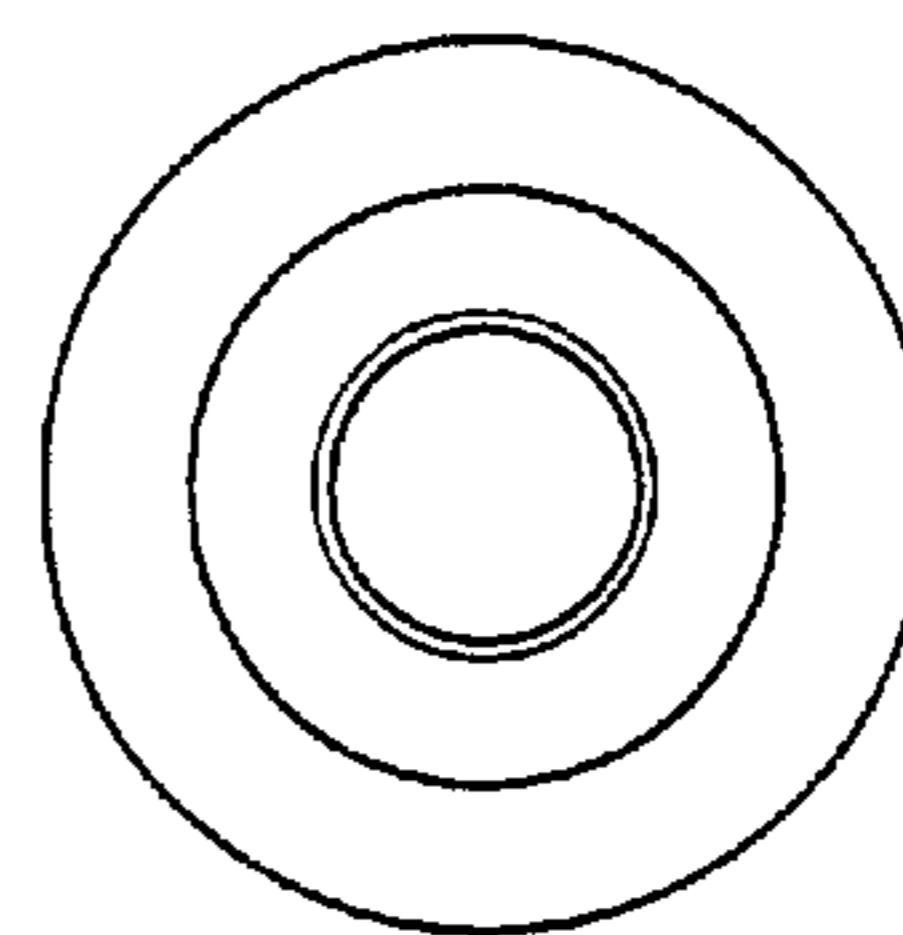


FIG. 11