



US00D519083S

(12) **United States Design Patent**
Li et al.

(10) **Patent No.:** **US D519,083 S**
(45) **Date of Patent:** **** Apr. 18, 2006**

(54) **ELECTRICAL CONNECTOR**

(75) Inventors: **Wei Li**, Kunsan (CN); **An-Yi Zhang**,
Kunsan (CN); **Chun-Sheng Li**, Kunsan
(CN)

(73) Assignee: **Hon Hai Precision Ind. Co., Ltd.**,
Taipei Hsien (TW)

(**) Term: **14 Years**

(21) Appl. No.: **29/224,643**

(22) Filed: **Mar. 3, 2005**

(51) **LOC (8) Cl.** **13-03**

(52) **U.S. Cl.** **D13/147**

(58) **Field of Classification Search** D13/133,
D13/146-147, 184, 199; 439/101, 108, 378,
439/607-608, 638-639, 677-681, 752
See application file for complete search history.

(56) **References Cited**

U.S. PATENT DOCUMENTS

D332,599 S	*	1/1993	Kikuta et al.	D13/147
5,356,300 A	*	10/1994	Costello et al.	439/101
5,466,171 A	*	11/1995	Bixler et al.	439/378
D398,584 S	*	9/1998	Hirai et al.	D13/147
6,007,364 A	*	12/1999	Wu	439/378

D420,330 S	*	2/2000	Wu et al.	D13/147
6,065,992 A	*	5/2000	Wu et al.	439/383
D427,974 S	*	7/2000	Takase et al.	D13/147
D432,085 S	*	10/2000	Huang	D13/147
6,152,773 A	*	11/2000	Chen	439/607
D453,321 S	*	2/2002	Nakatomi	D13/147
D476,955 S	*	7/2003	Ushiro et al.	D13/147

* cited by examiner

Primary Examiner—Stella Reid
Assistant Examiner—Daniel Bui

(74) *Attorney, Agent, or Firm*—Wei Te Chung

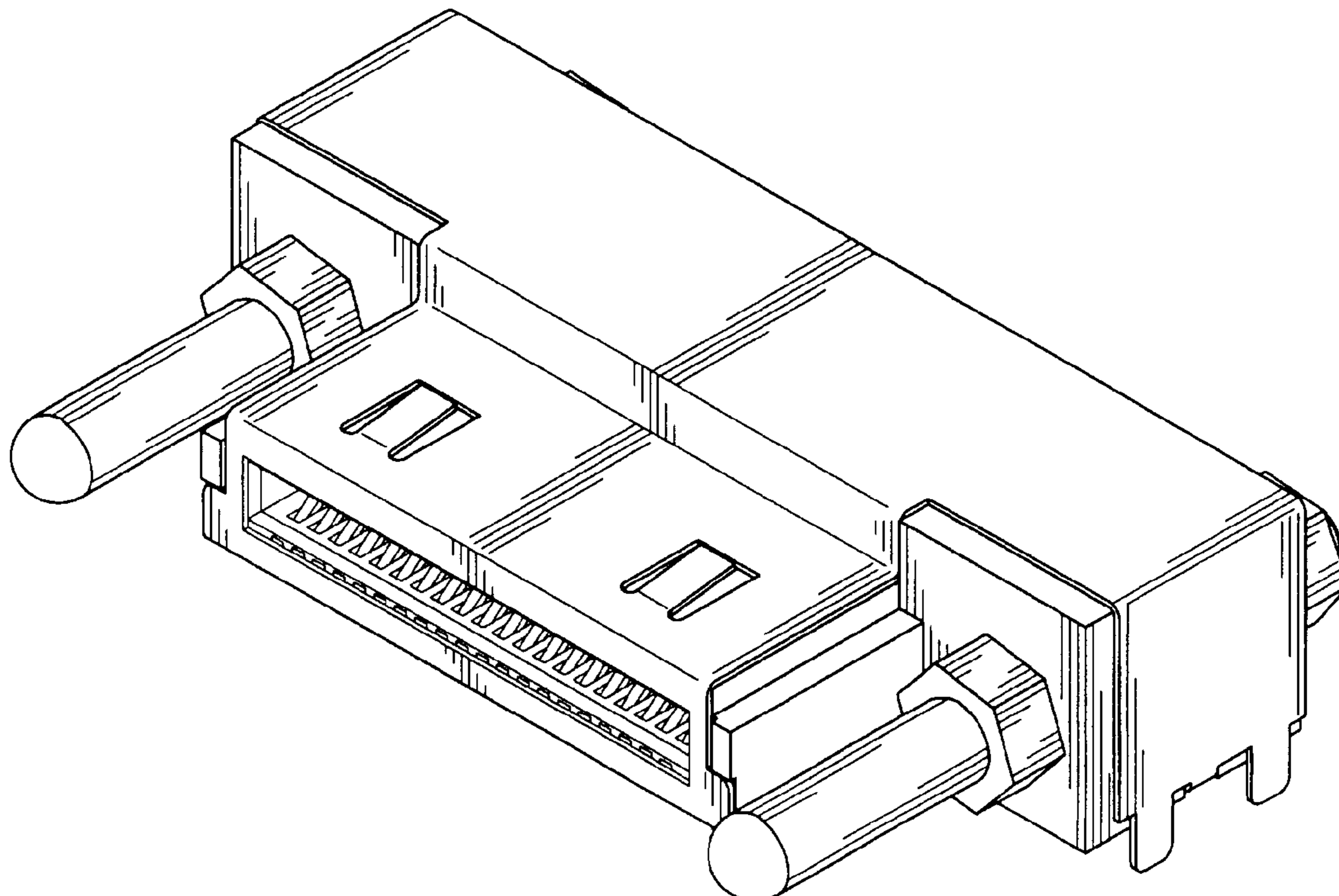
(57) **CLAIM**

The ornamental design for an electrical connector, as shown and described.

DESCRIPTION

FIG. 1 is a front, top and right side perspective view of an electrical connector showing our new design; FIG. 2 is a front elevational view thereof; FIG. 3 is a rear elevational view thereof; FIG. 4 is a left side elevational view thereof; FIG. 5 is a right side elevational view thereof; FIG. 6 is a top plan view thereof; and, FIG. 7 is a bottom plan view thereof.

1 Claim, 7 Drawing Sheets



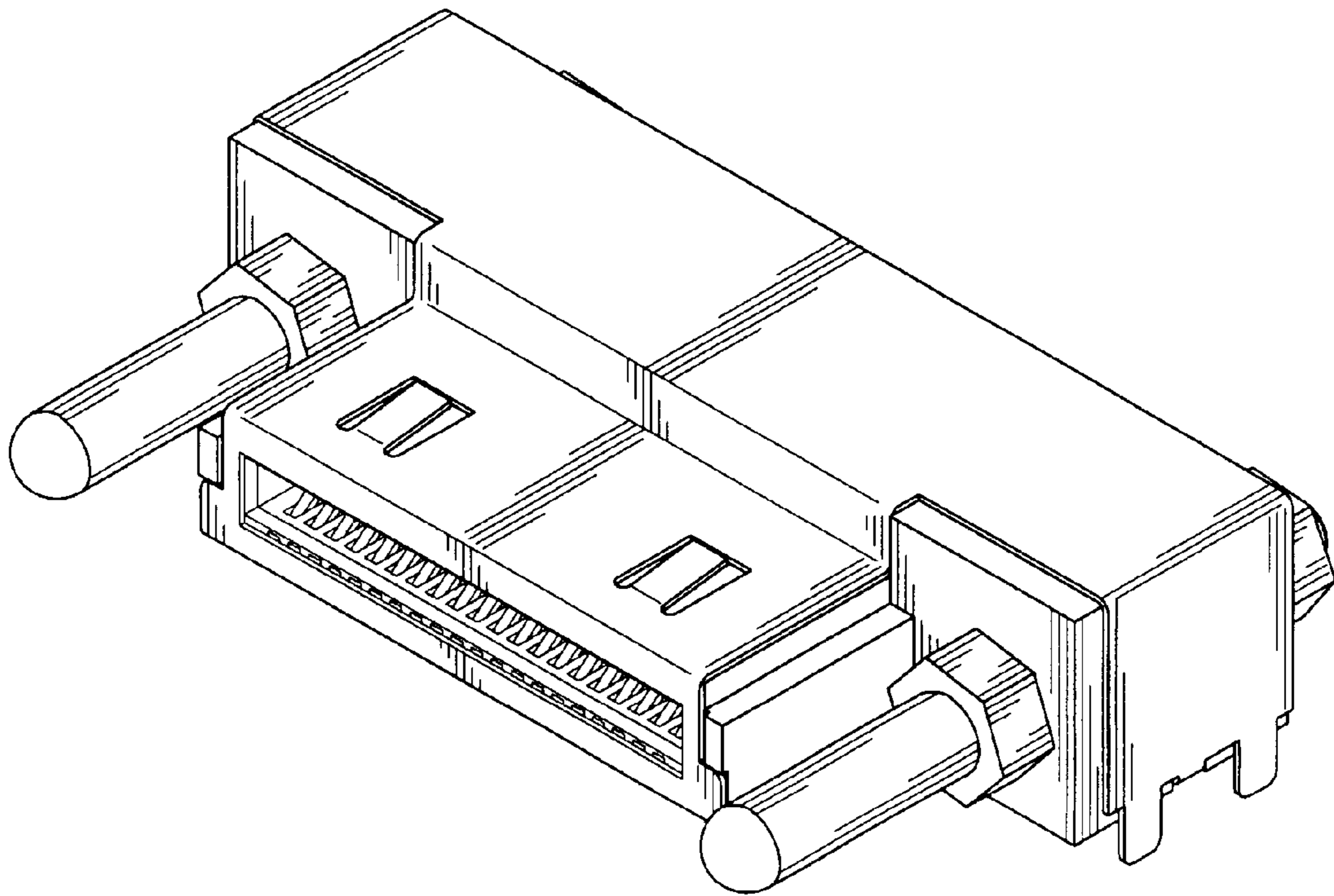


FIG. 1

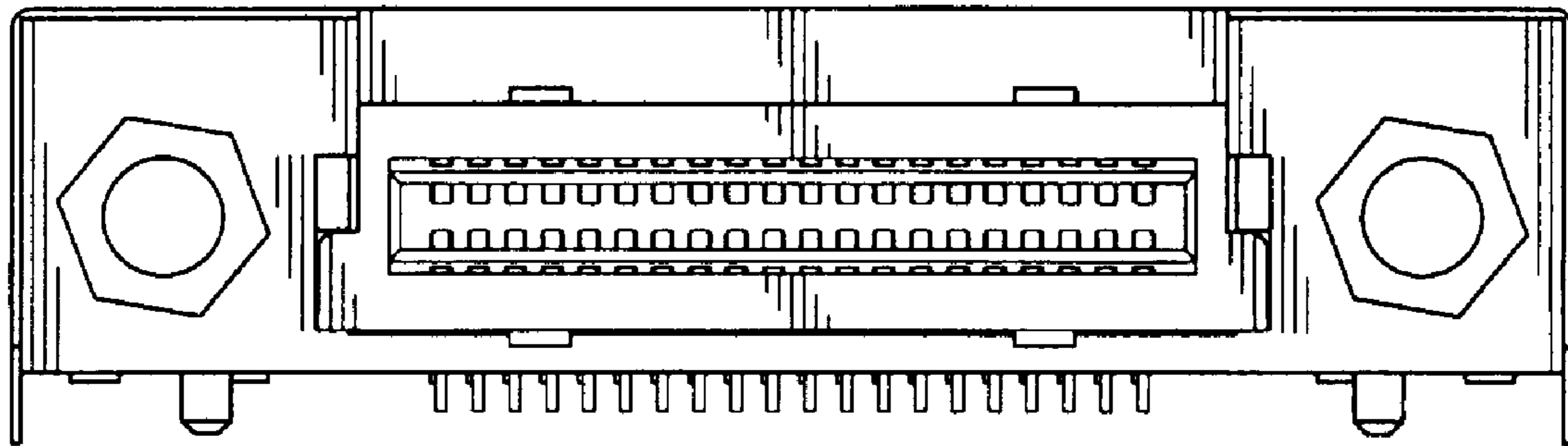


FIG. 2

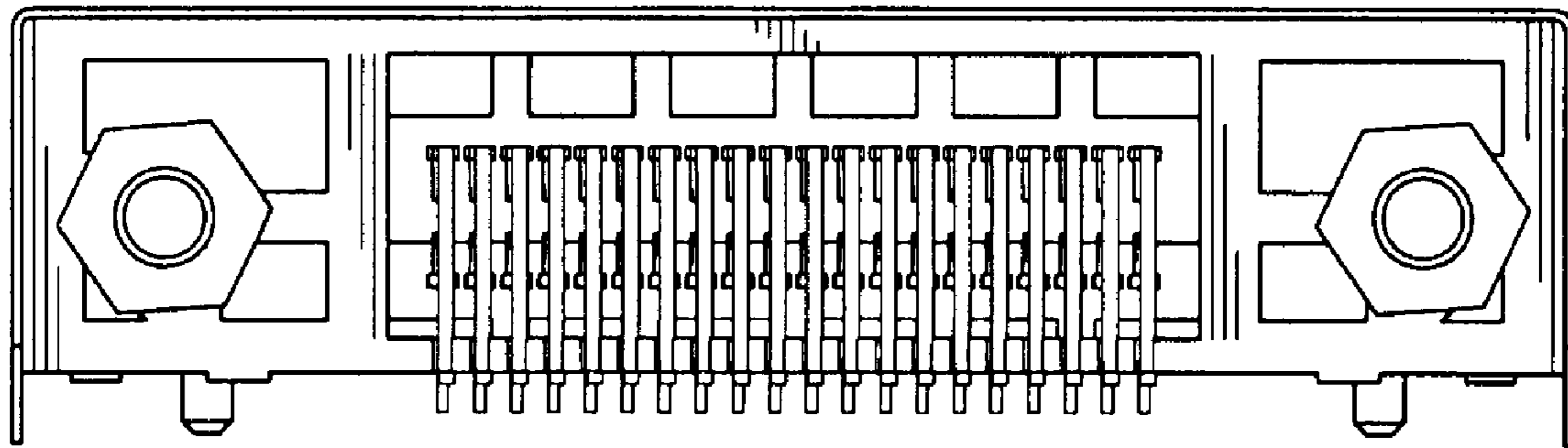


FIG. 3

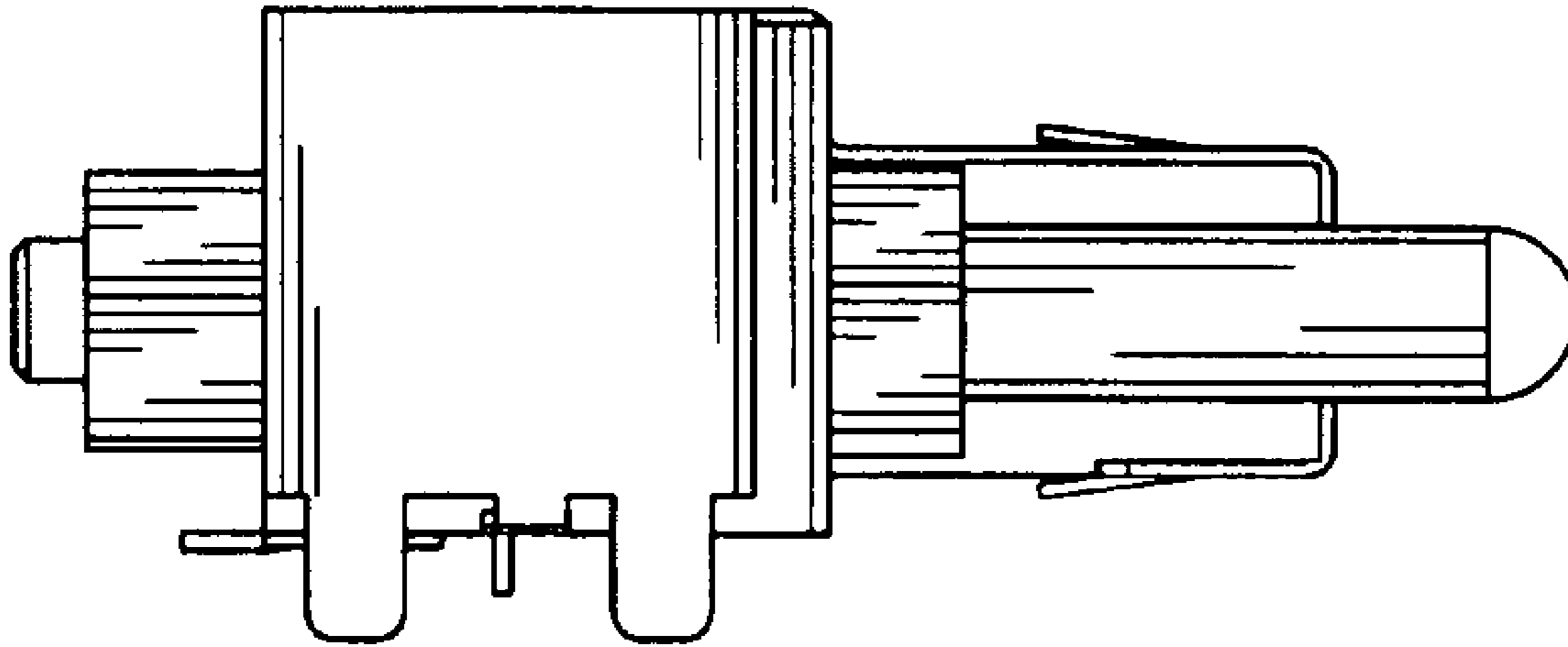


FIG. 4

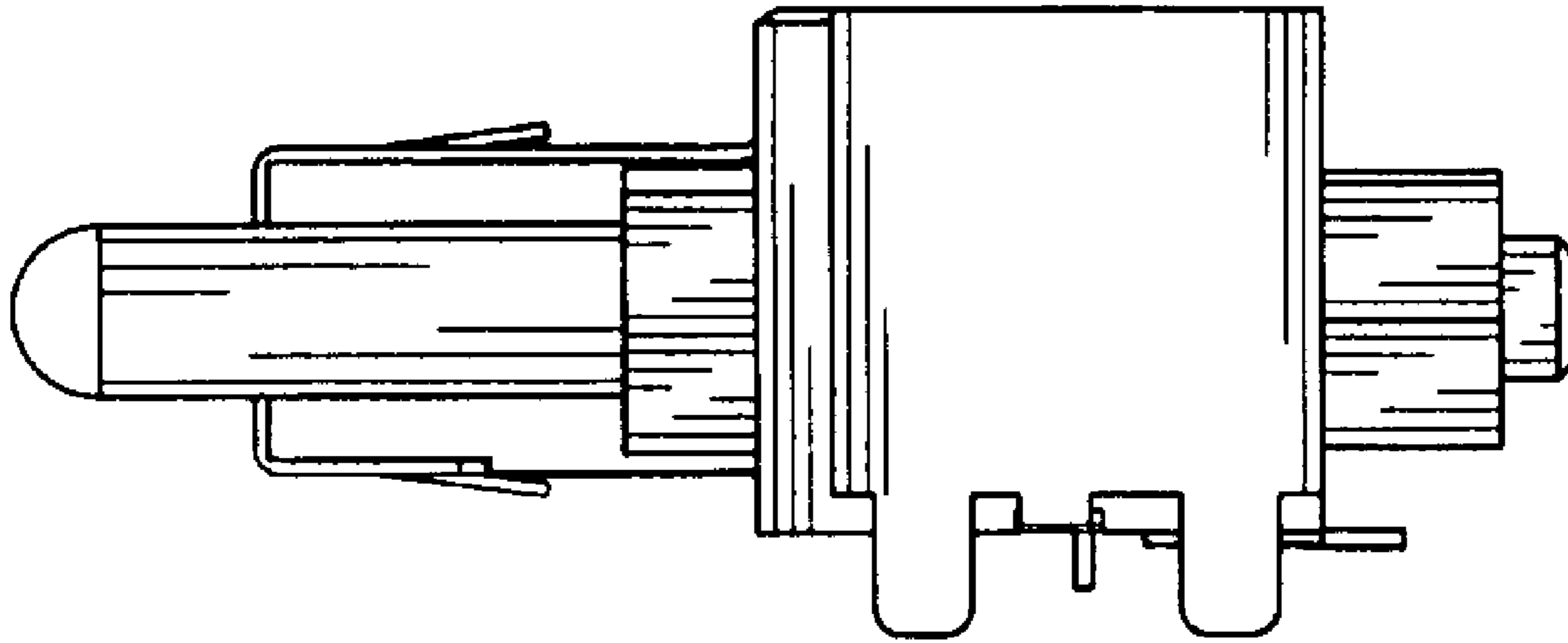


FIG. 5

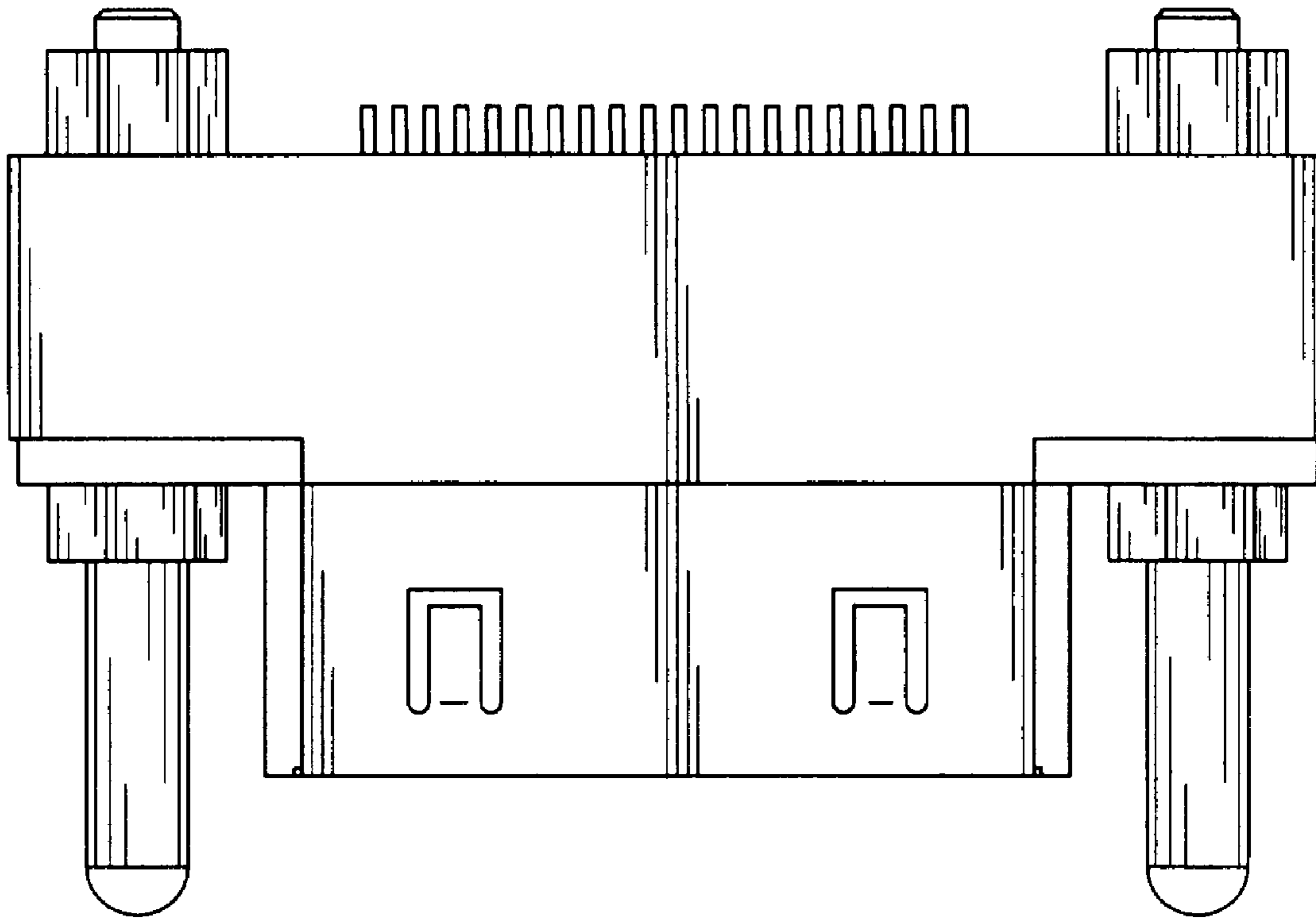


FIG. 6

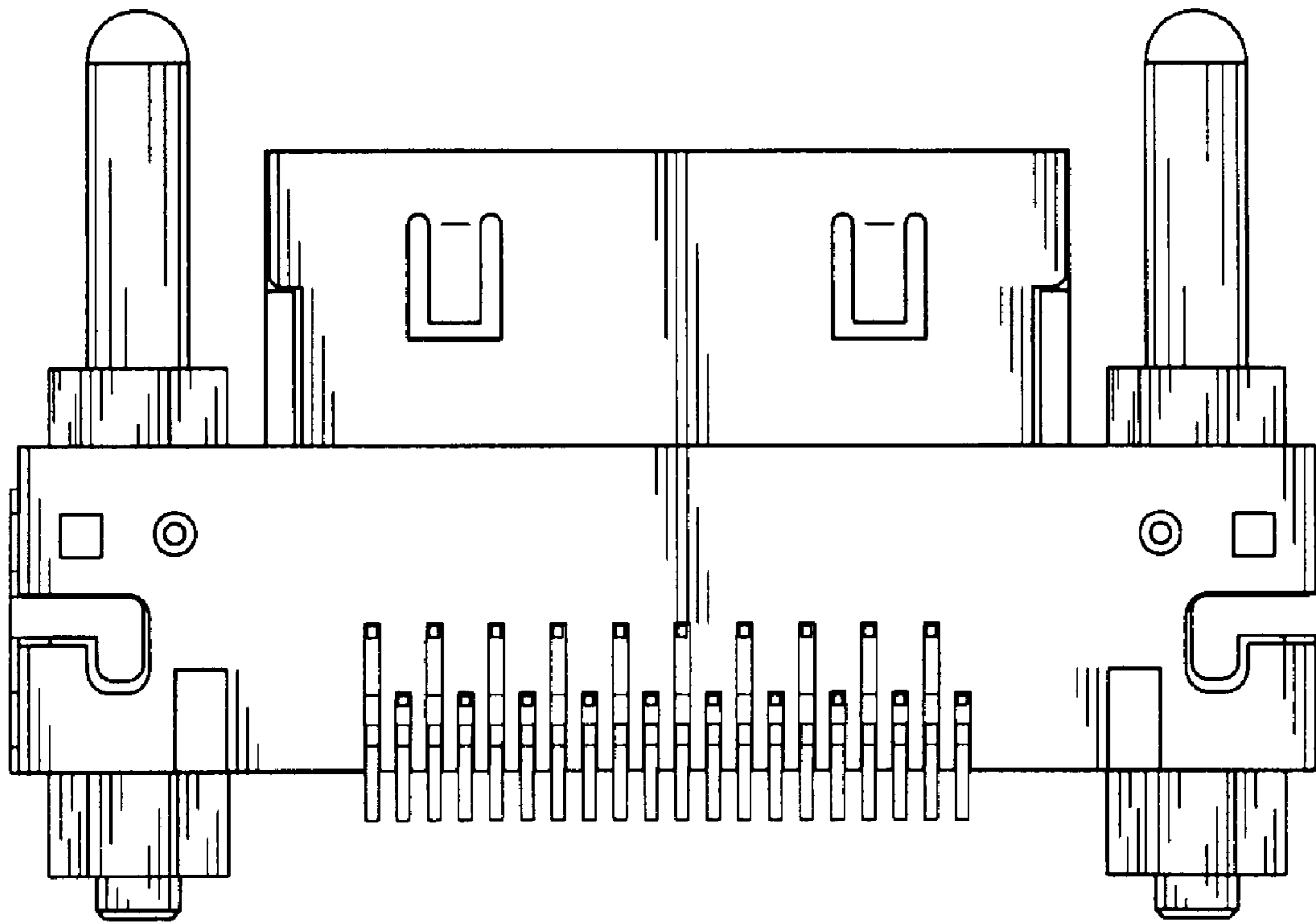


FIG. 7