



US00D519079S

(12) **United States Design Patent**  
**Suckle**

(10) **Patent No.:** **US D519,079 S**

(45) **Date of Patent:** **\*\* Apr. 18, 2006**

(54) **WALL PLUG**

(75) Inventor: **Mitchell Suckle**, Long Beach, CA (US)

(73) Assignee: **Belkin Corporation**, Compton, CA (US)

(\*\*) Term: **14 Years**

(21) Appl. No.: **29/196,966**

(22) Filed: **Jan. 7, 2004**

(51) **LOC (8) Cl.** ..... **13-03**

(52) **U.S. Cl.** ..... **D13/138.1**

(58) **Field of Classification Search** ..... D13/107,  
D13/110, 123, 133, 137.1-139.8, 160; 174/48-49,  
174/53-58; 439/105-107, 535-536, 650-655,  
439/692; D14/433

See application file for complete search history.

(56) **References Cited**

**U.S. PATENT DOCUMENTS**

- D186,434 S \* 10/1959 King ..... D13/138.1
- 3,975,075 A \* 8/1976 Mason ..... 439/107
- D330,009 S \* 10/1992 Dickie ..... D13/138.1
- D349,275 S \* 8/1994 Hollander ..... D13/133

- D354,941 S \* 1/1995 Lentz et al. .... D13/138.1
- D402,962 S \* 12/1998 Hedrick ..... D13/138.2
- D405,222 S \* 2/1999 Gilbert et al. .... D13/138.2
- D428,390 S \* 7/2000 Wang ..... D13/138.2
- D508,461 S \* 8/2005 Hedrick ..... D13/138.1

\* cited by examiner

*Primary Examiner*—Alan P. Douglas

*Assistant Examiner*—Rosemary K. Tarcza

(74) *Attorney, Agent, or Firm*—Bryan Cave LLP

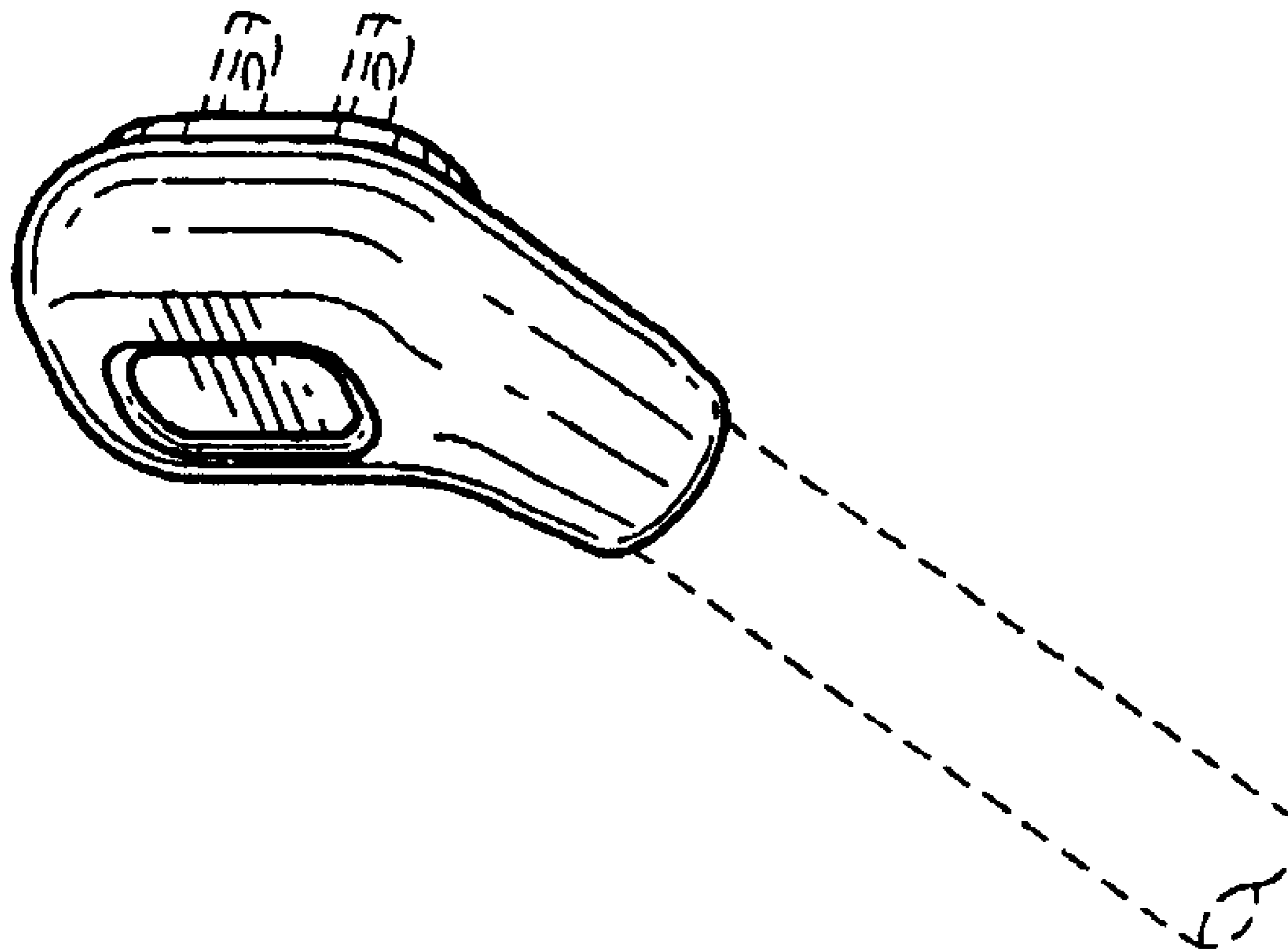
(57) **CLAIM**

The ornamental design for a wall plug, as shown and described.

**DESCRIPTION**

FIG. 1 is a top planar view of a wall plug;  
 FIG. 2 is a bottom planar view thereof;  
 FIG. 3 is a front elevational view thereof;  
 FIG. 4 is a rear elevational view thereof;  
 FIG. 5 is a right side elevational view thereof;  
 FIG. 6 is a left side elevational view thereof; and,  
 FIG. 7 is a rear, right, top isometric view thereof.  
 The broken line showing is for illustrative purposes only and forms no part of the claimed design.

**1 Claim, 1 Drawing Sheet**



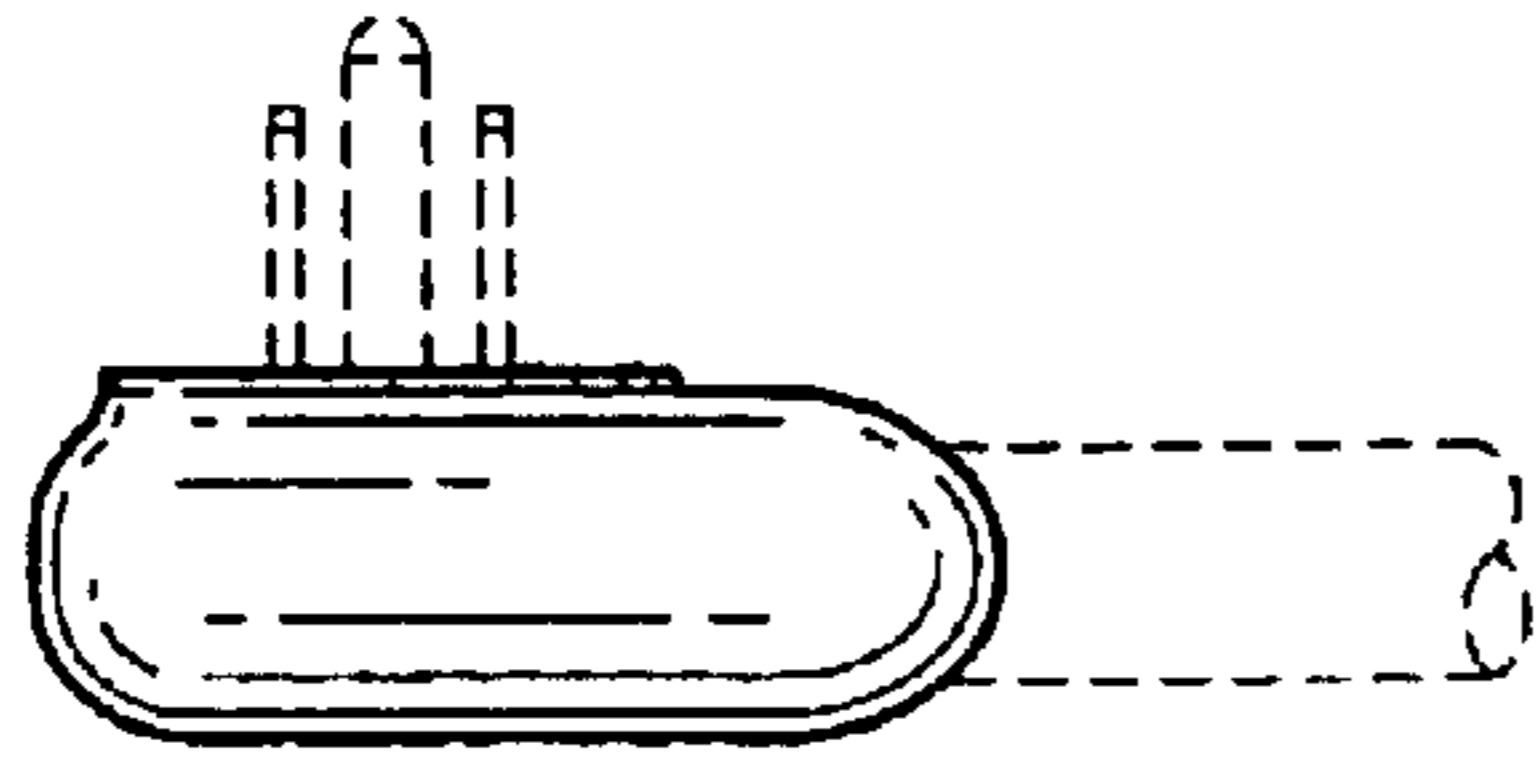


FIG. 1

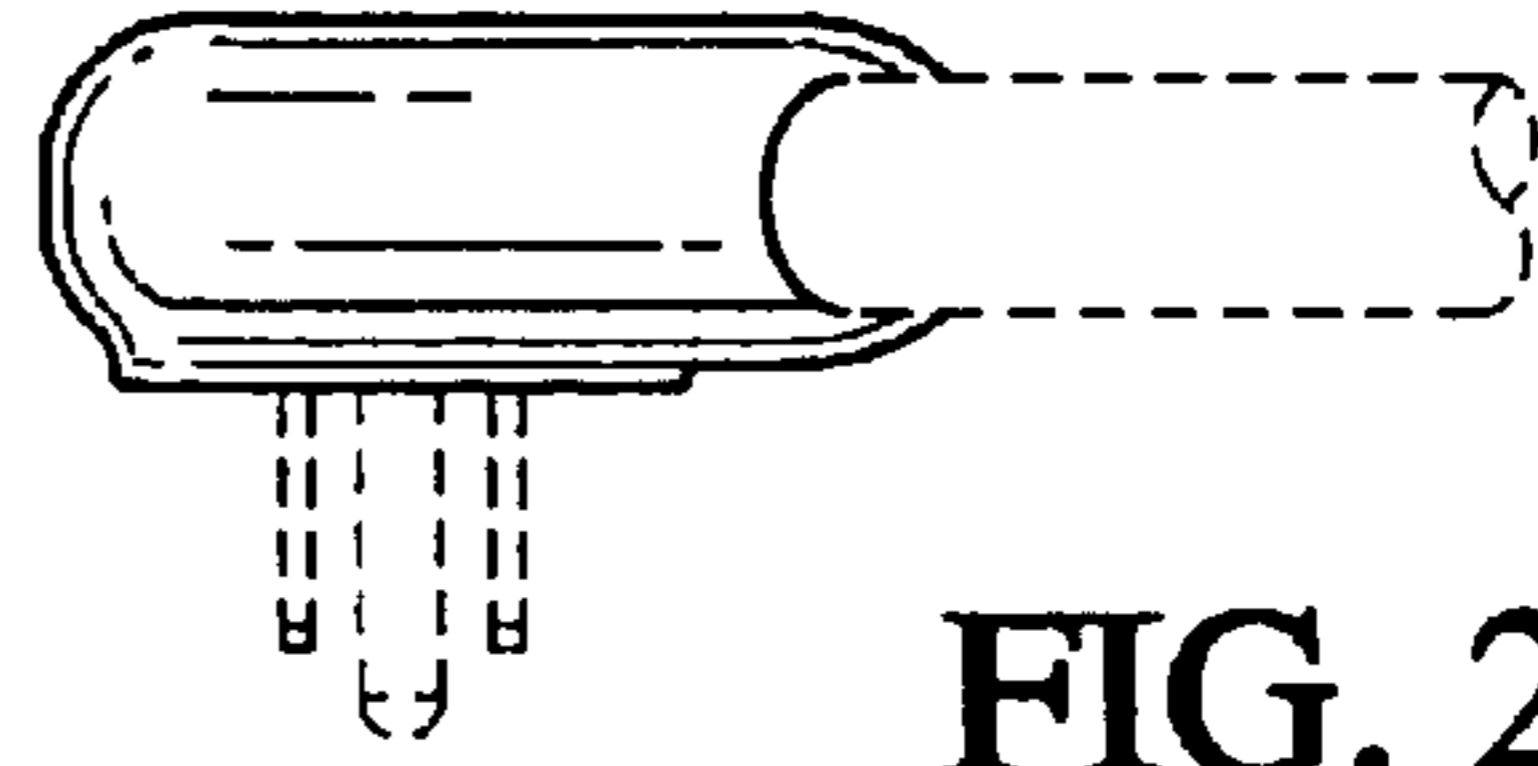


FIG. 2

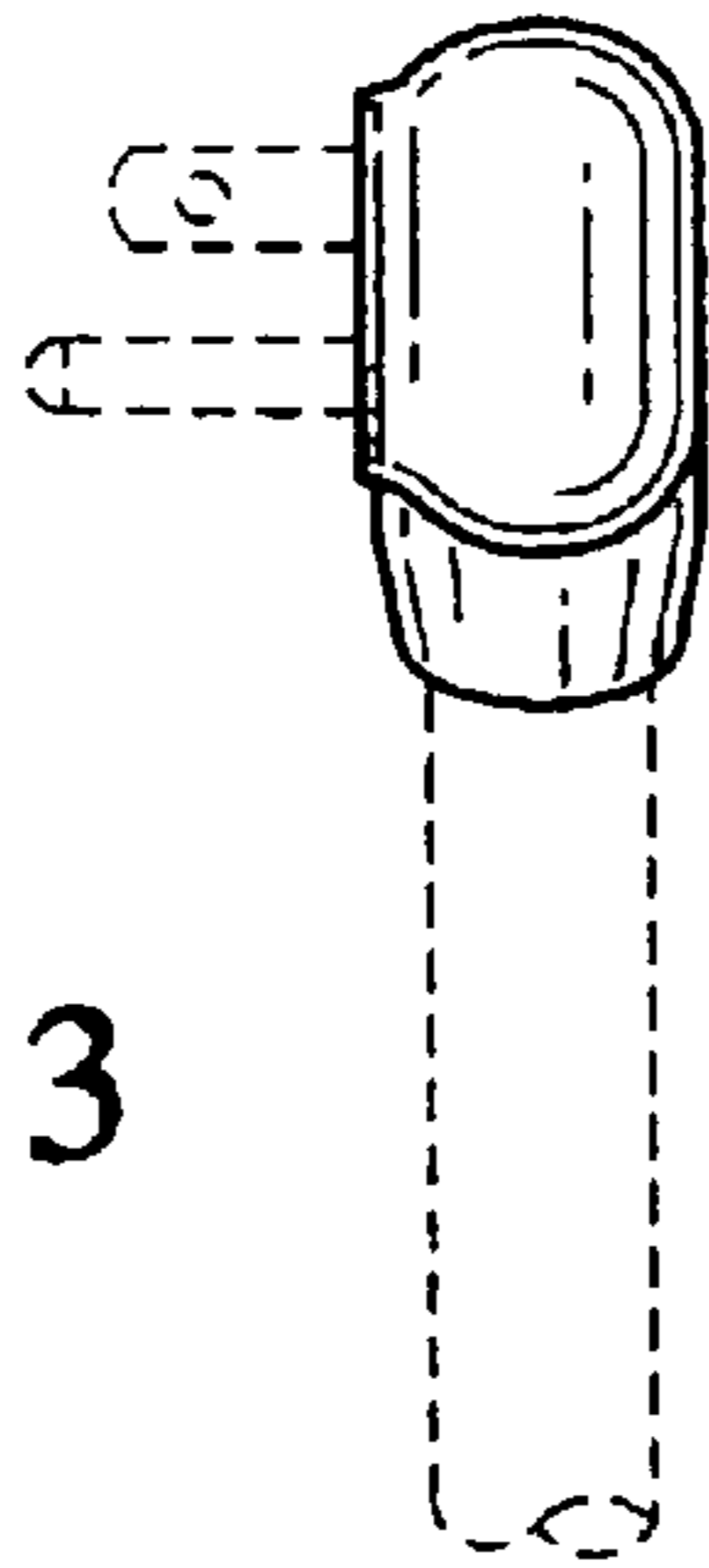


FIG. 3

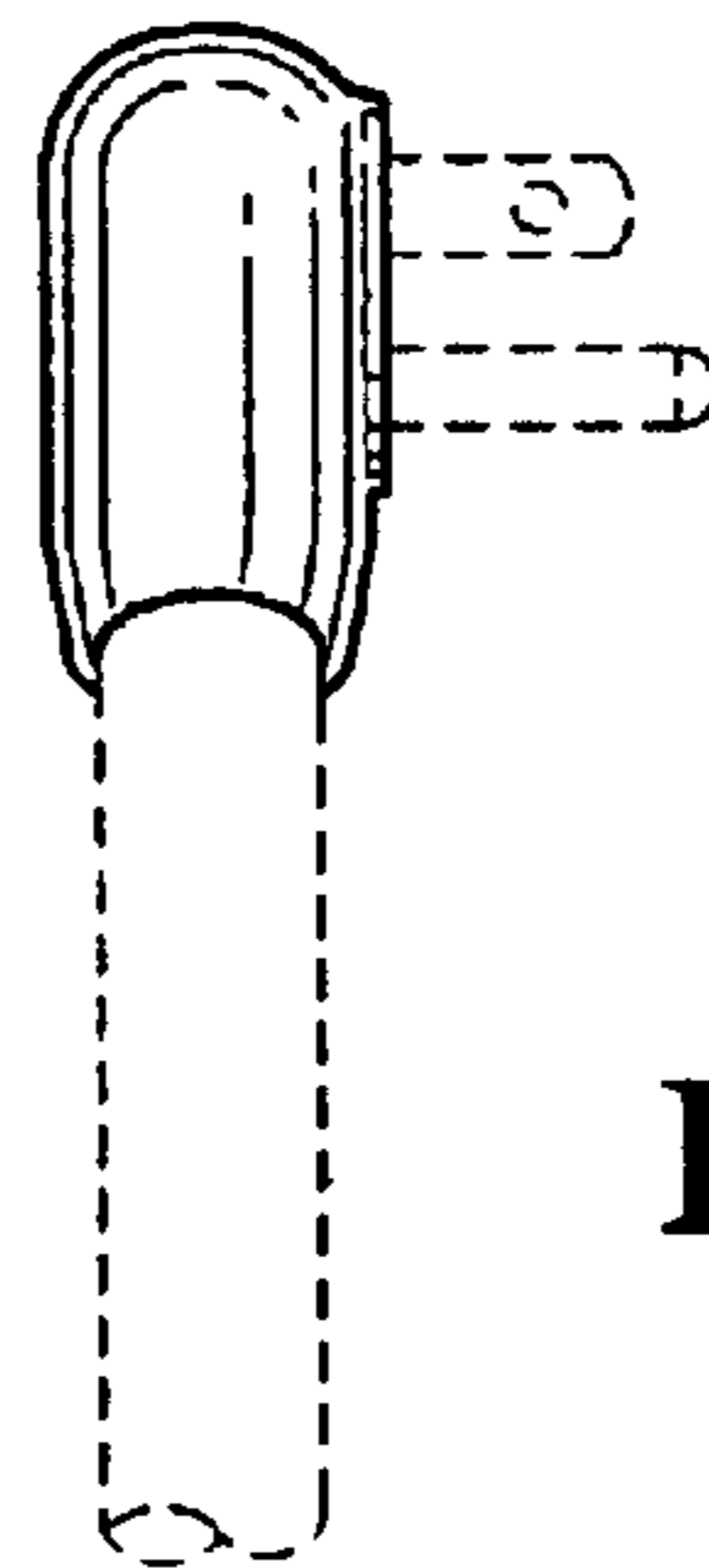


FIG. 4

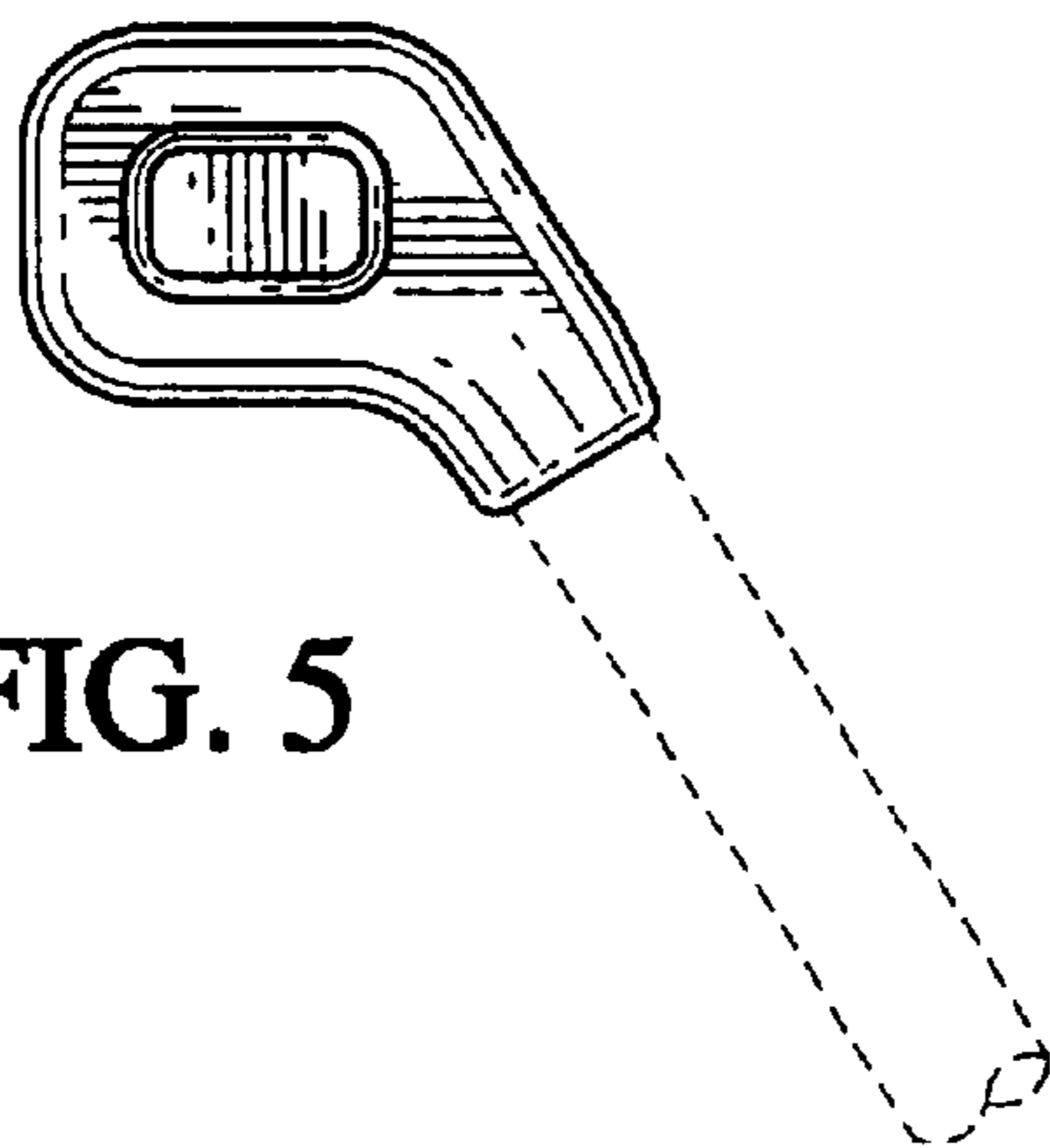


FIG. 5

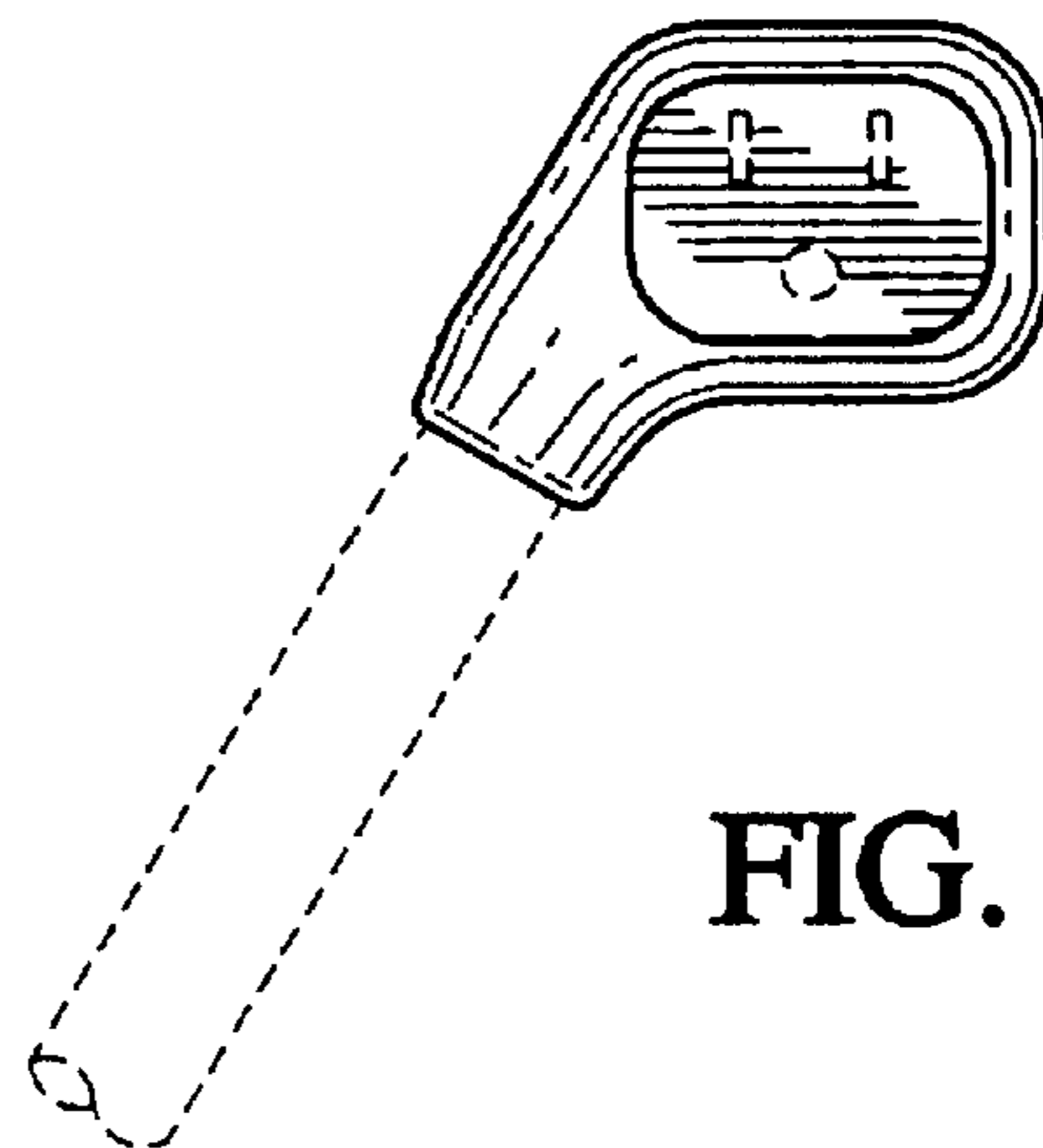


FIG. 6

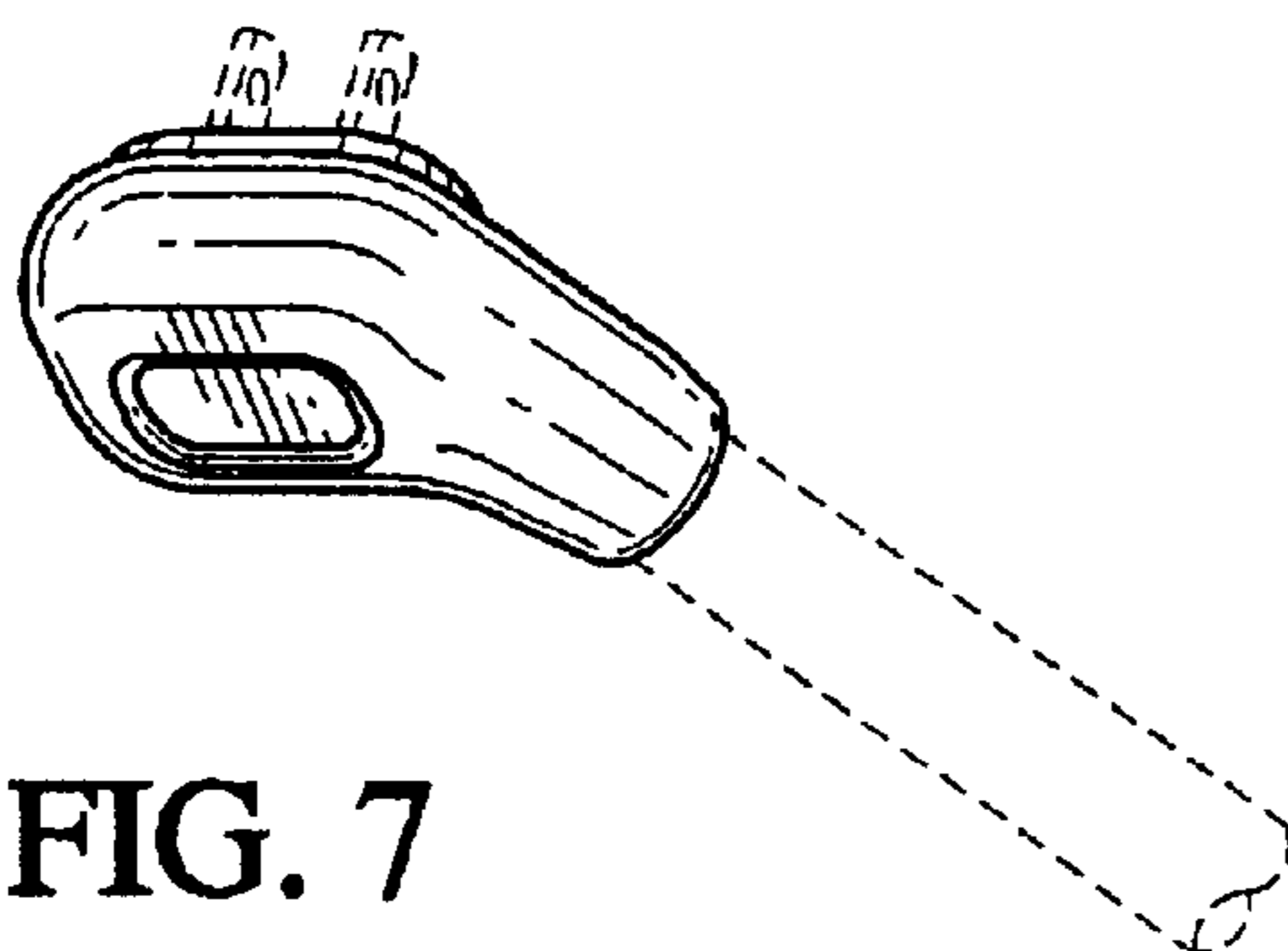


FIG. 7