



US00D519077S

(12) **United States Design Patent** (10) **Patent No.:** **US D519,077 S**
Disbennett et al. (45) **Date of Patent:** **** Apr. 18, 2006**

(54) **AUDIO CABLE CONNECTOR WITH INTERIOR LED**

(75) Inventors: **Scott Disbennett**, Lake Mary, FL (US);
Edward T. Robertson, Port Orange, FL (US)

(73) Assignee: **Metra Electronics Corporation**, Holly Hill, FL (US)

(**) Term: **14 Years**

(21) Appl. No.: **29/222,535**

(22) Filed: **Feb. 2, 2005**

(51) **LOC (8) Cl.** **13-03**

(52) **U.S. Cl.** **D13/133**

(58) **Field of Classification Search** D13/133,
D13/146-147, 153-154, 184, 199; 439/314-322,
439/349, 680, 752, 750, 948
See application file for complete search history.

(56) **References Cited**

U.S. PATENT DOCUMENTS

3,885,849	A	*	5/1975	Bailey et al.	439/518
3,978,581	A	*	9/1976	Miura	29/858
4,129,352	A	*	12/1978	Iizuka	439/675
4,515,423	A	*	5/1985	Moore et al.	439/502
D317,293	S	*	6/1991	Brisson	D13/133
D329,223	S	*	9/1992	Lee	D13/133
D366,862	S	*	2/1996	Lee	D13/133
D424,020	S	*	5/2000	Fischer	D13/146
6,252,163	B1	*	6/2001	Fujimori et al.	174/36
D491,891	S	*	6/2004	Conway et al.	D13/146
D506,184	S	*	6/2005	Sirichai et al.	D13/154

OTHER PUBLICATIONS

2003 Tsunami Premium Installation Accessories Catalog, Pgs. Cover, 2-11, Published Feb. 2003.

2004 Tsunami Premium Installation Accessories Catalog, Pgs. Cover, 2-13, Published Feb. 2004.

Printout From www.rca.com, Audio/Video Hook-Up, DT6HPL, pp. 1-2, Sep. 2004.

* cited by examiner

Primary Examiner—Stella Reid

Assistant Examiner—Daniel Bui

(74) *Attorney, Agent, or Firm*—Fitzpatrick, Cella, Harper & Scinto

(57) **CLAIM**

We claim the design for an audio cable connector with interior LED, as shown and described.

DESCRIPTION

FIG. 1 is a left-front perspective view of an audio cable connector with interior LED, showing our new design;

FIG. 2 is a top plan view thereof, the bottom plan view is identical thereto except for the half-round element and the unclaimed oval element;

FIG. 3 is a left side elevation thereof, and a right side elevation is a mirror image thereto;

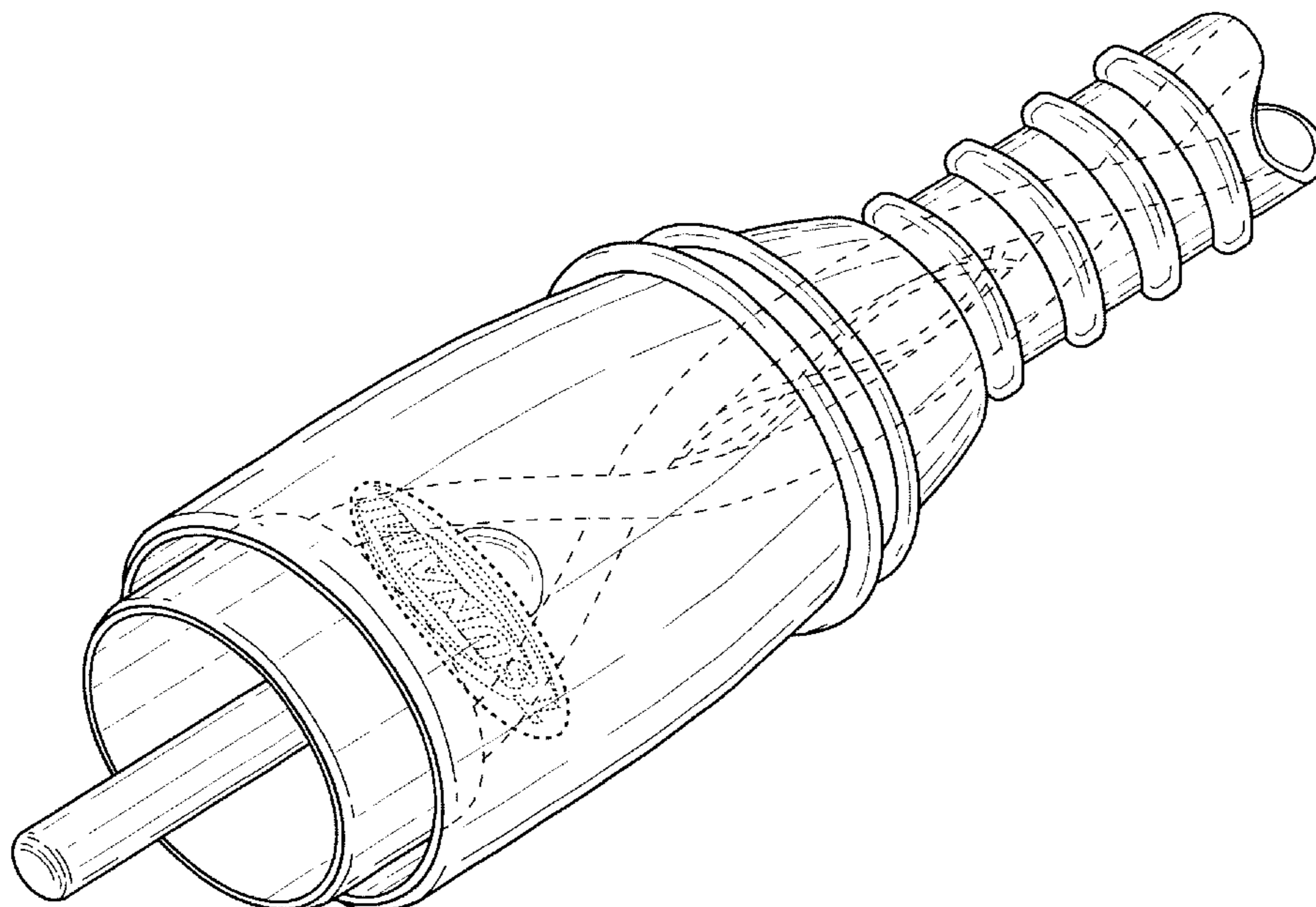
FIG. 4 is a front elevation thereof; and,

FIG. 5 is a rear elevation thereof.

The broken line showing of the environment is for illustrative purposes only and forms no part of the claimed design.

The appearance of the design for an audio cable connector with interior LED, characterized by a transparent cable connector head with an interior LED.

1 Claim, 3 Drawing Sheets



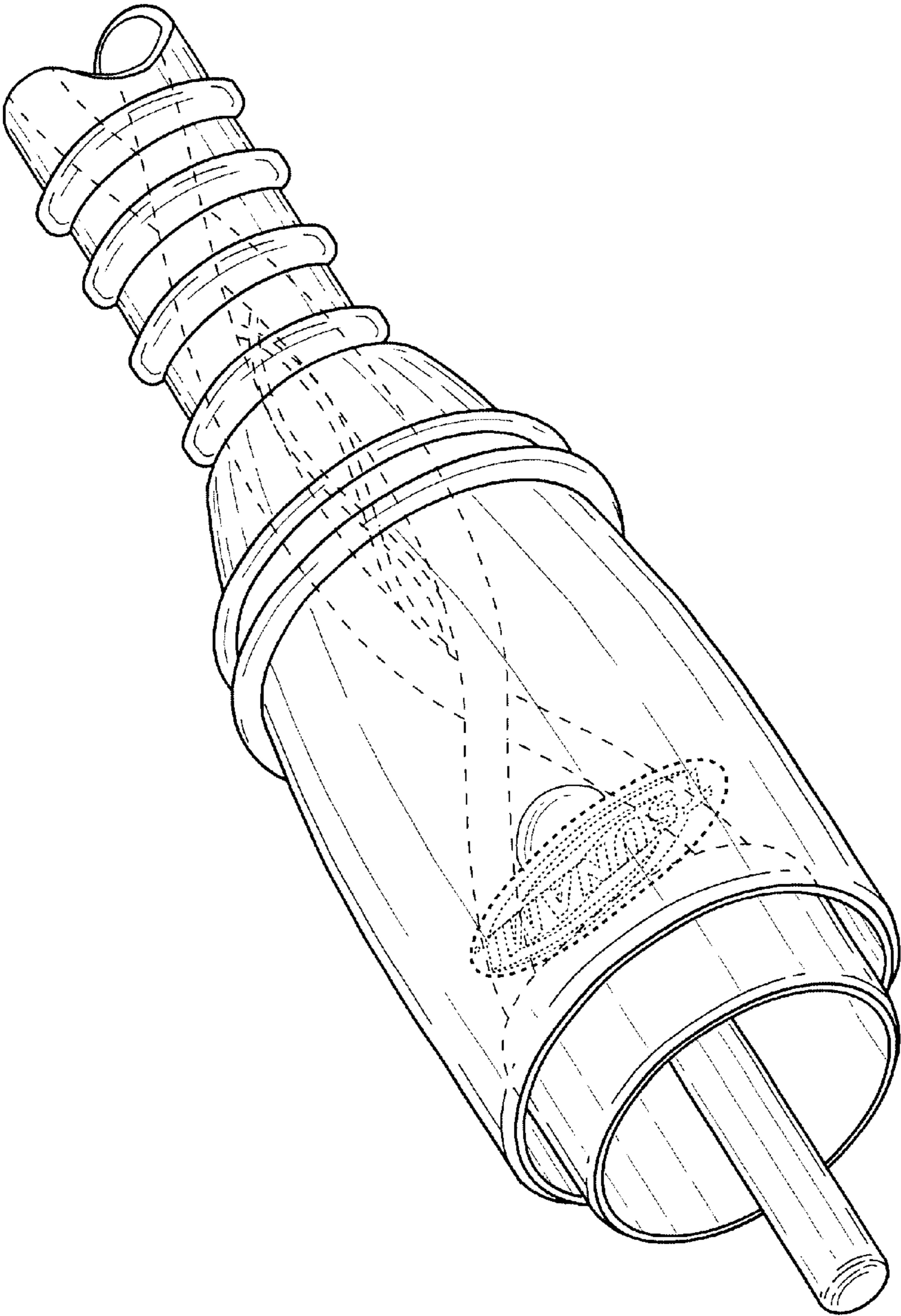


FIG. 1

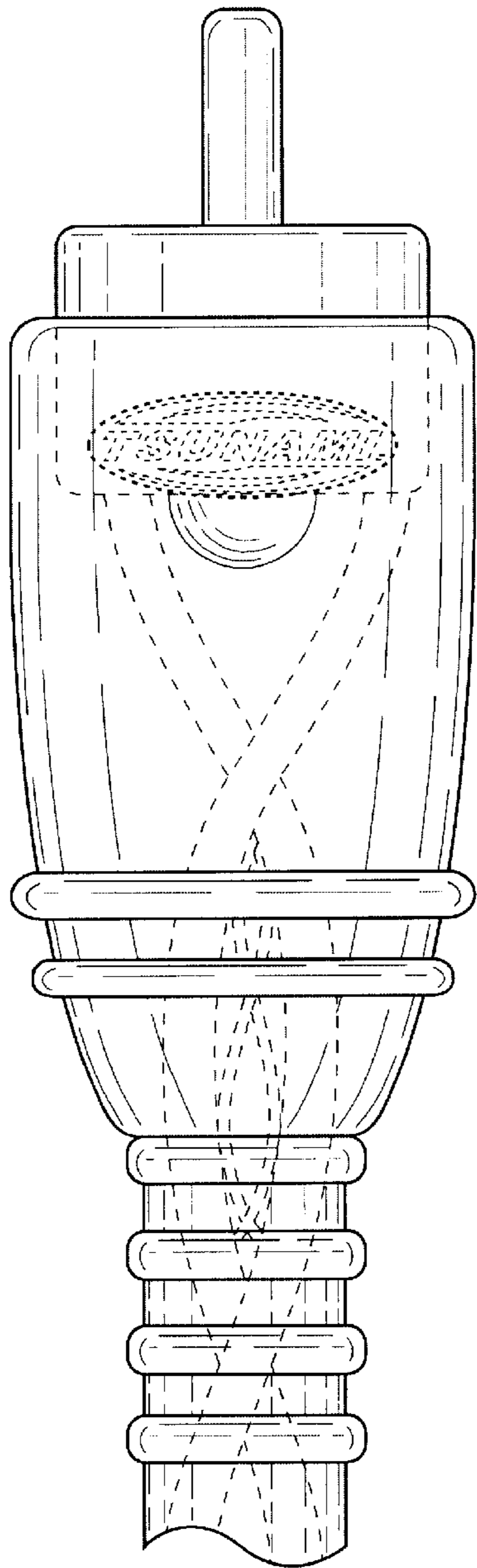


FIG. 2

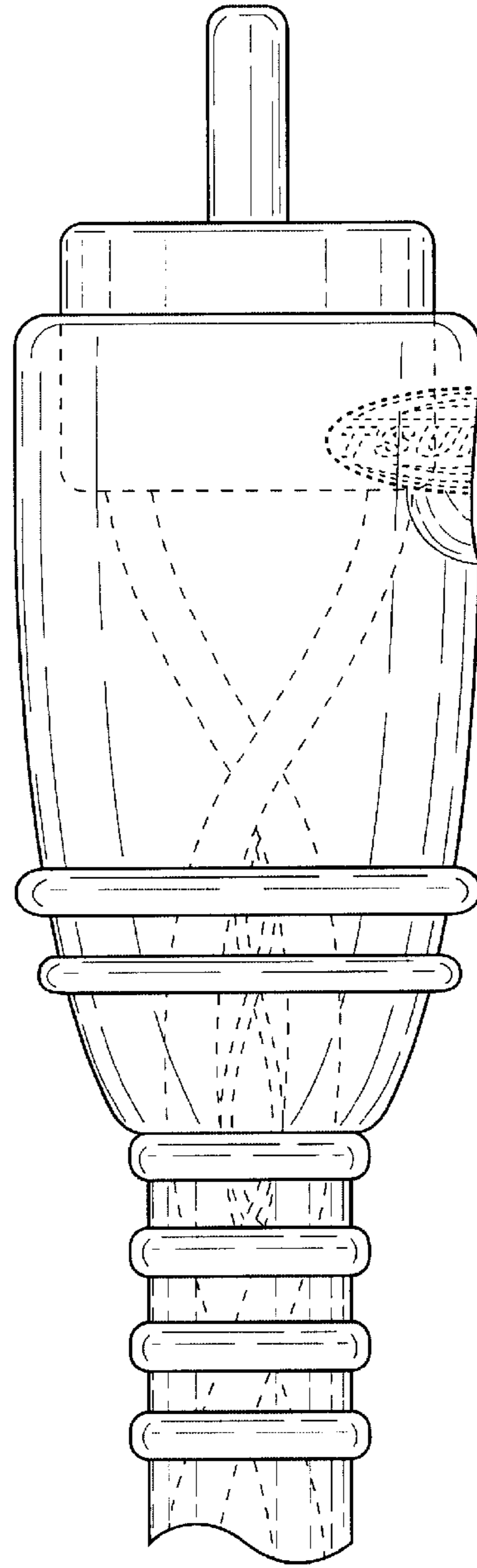


FIG. 3

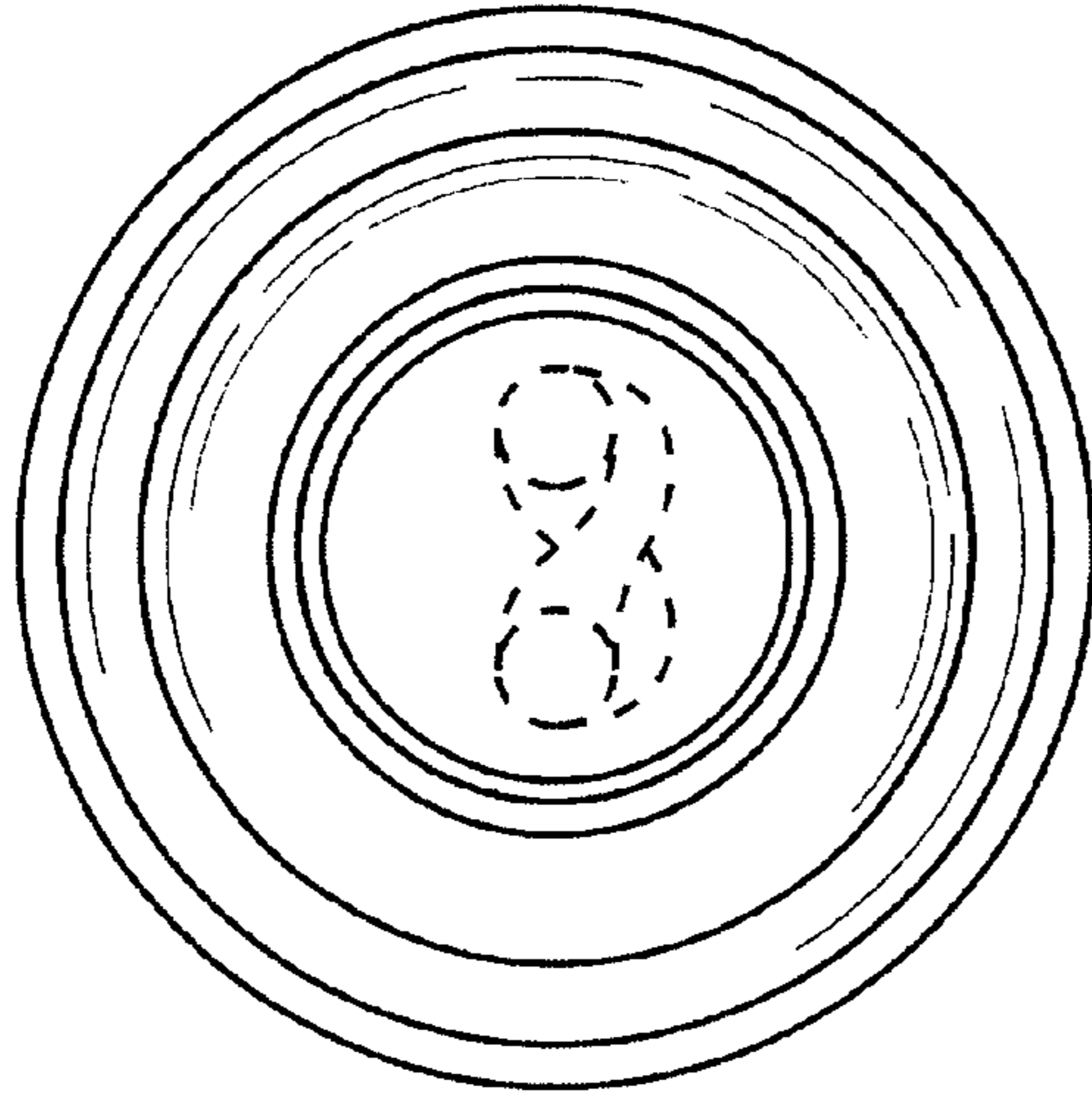


FIG. 5

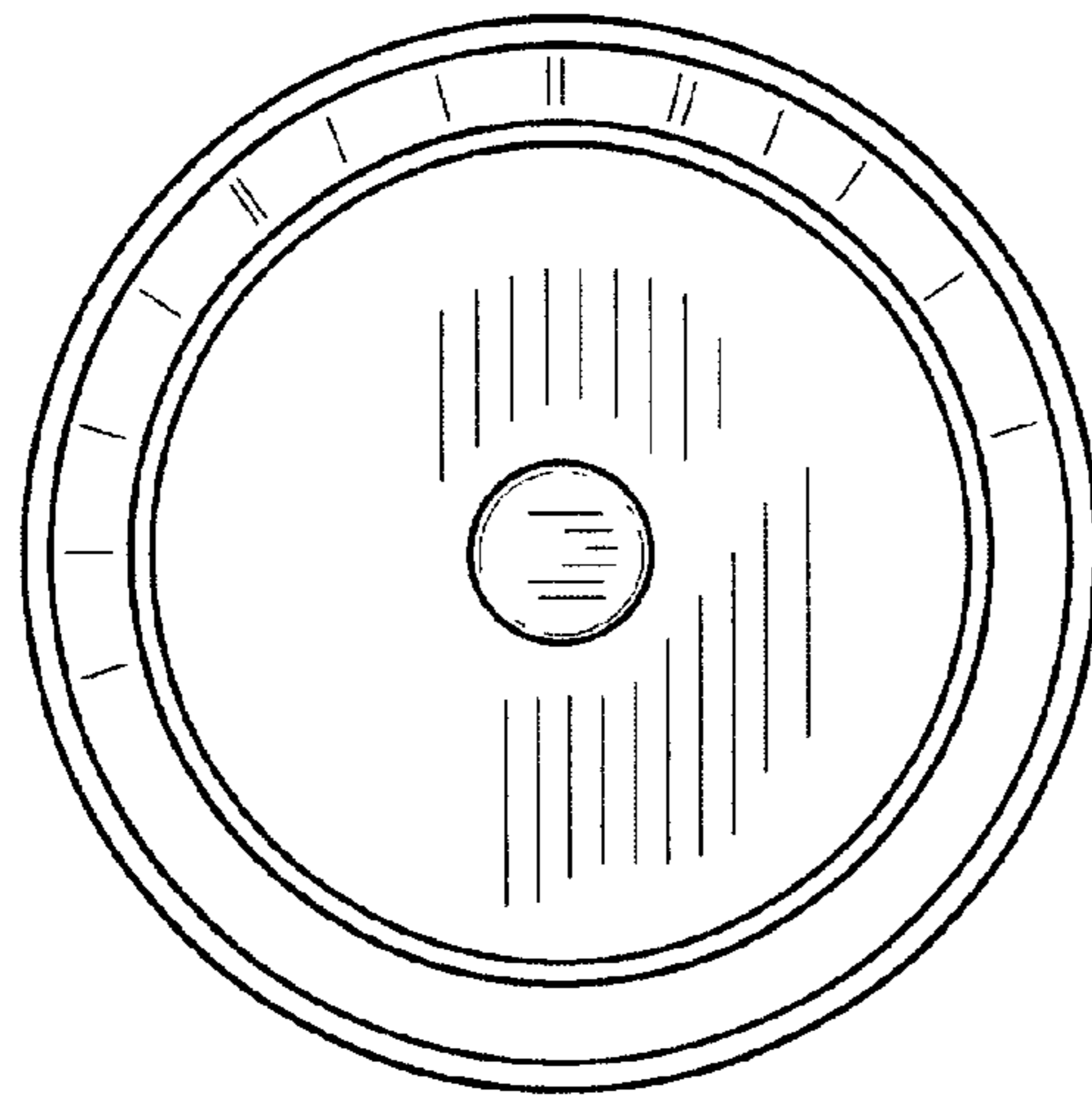


FIG. 4