



US00D519076S

(12) **United States Design Patent**  
**Fox**(10) **Patent No.: US D519,076 S**(45) **Date of Patent: \*\* \*Apr. 18, 2006**(54) **COAX CABLE CONNECTOR**(75) Inventor: **Michael Fox**, Jamesville, NY (US)(73) Assignee: **John Mezzalingua Associates, Inc.**,  
East Syracuse, NY (US)(\*) Notice: This patent is subject to a terminal dis-  
claimer.(\*\*) Term: **14 Years**(21) Appl. No.: **29/201,784**(22) Filed: **Mar. 19, 2004**(51) **LOC (8) Cl. .... 03-03**(52) **U.S. Cl. .... D13/133**(58) **Field of Classification Search** ..... D13/133,  
D13/149, 151, 154, 184, 199; 439/13, 20,  
439/22, 135, 246, 306, 480, 476.1, 578, 583-585,  
439/805

See application file for complete search history.

(56) **References Cited**

## U.S. PATENT DOCUMENTS

2,258,737 A	10/1941	Browne	
3,104,145 A *	9/1963	Somerset	439/584
3,184,706 A	5/1965	Atkins	
3,275,913 A	9/1966	Blanchard et al.	
3,320,575 A *	5/1967	Brown et al.	439/584
3,355,698 A	11/1967	Keller	
3,406,373 A	10/1968	Forney, Jr.	
3,498,647 A	3/1970	Schroder	
3,499,101 A *	3/1970	Hogendobler et al.	174/75 C
3,587,033 A *	6/1971	Brorein et al.	439/322
3,629,792 A	12/1971	Dorrell	
3,671,922 A	6/1972	Zerlin et al.	
3,710,005 A	1/1973	French	
3,845,453 A	10/1974	Hemmer	
D233,991 S *	12/1974	Smith et al.	D13/151
3,915,539 A	10/1975	Collins	
3,936,132 A	2/1976	Hutter	
3,985,418 A	10/1976	Spinner	
4,046,451 A	9/1977	Juds et al.	
4,053,200 A	10/1977	Pugner	

4,059,330 A *	11/1977	Shirey	439/578
4,076,367 A *	2/1978	Avins	439/583
4,126,372 A	11/1978	Hashimoto et al.	
4,168,921 A	9/1979	Blanchard	
4,227,765 A	10/1980	Neumann et al.	
4,280,749 A	7/1981	Hemmer	
4,339,166 A	7/1982	Dayton	
4,346,958 A	8/1982	Blanchard	
4,373,767 A	2/1983	Cairns	
4,400,050 A	8/1983	Hayward	
4,408,822 A	10/1983	Nikitas	
4,444,453 A	4/1984	Kirby et al.	
4,484,792 A	11/1984	Tengler et al.	
4,533,191 A	8/1985	Blackwood	
4,545,637 A	10/1985	Bosshard et al.	

(Continued)

## FOREIGN PATENT DOCUMENTS

DE	1 191 880	4/1954
DE	32 11 008	10/1983
GB	1087 228	10/1967
GB	1270846	4/1972
GB	2079 549	1/1982

Primary Examiner—Stella Reid

Assistant Examiner—Daniel Bui

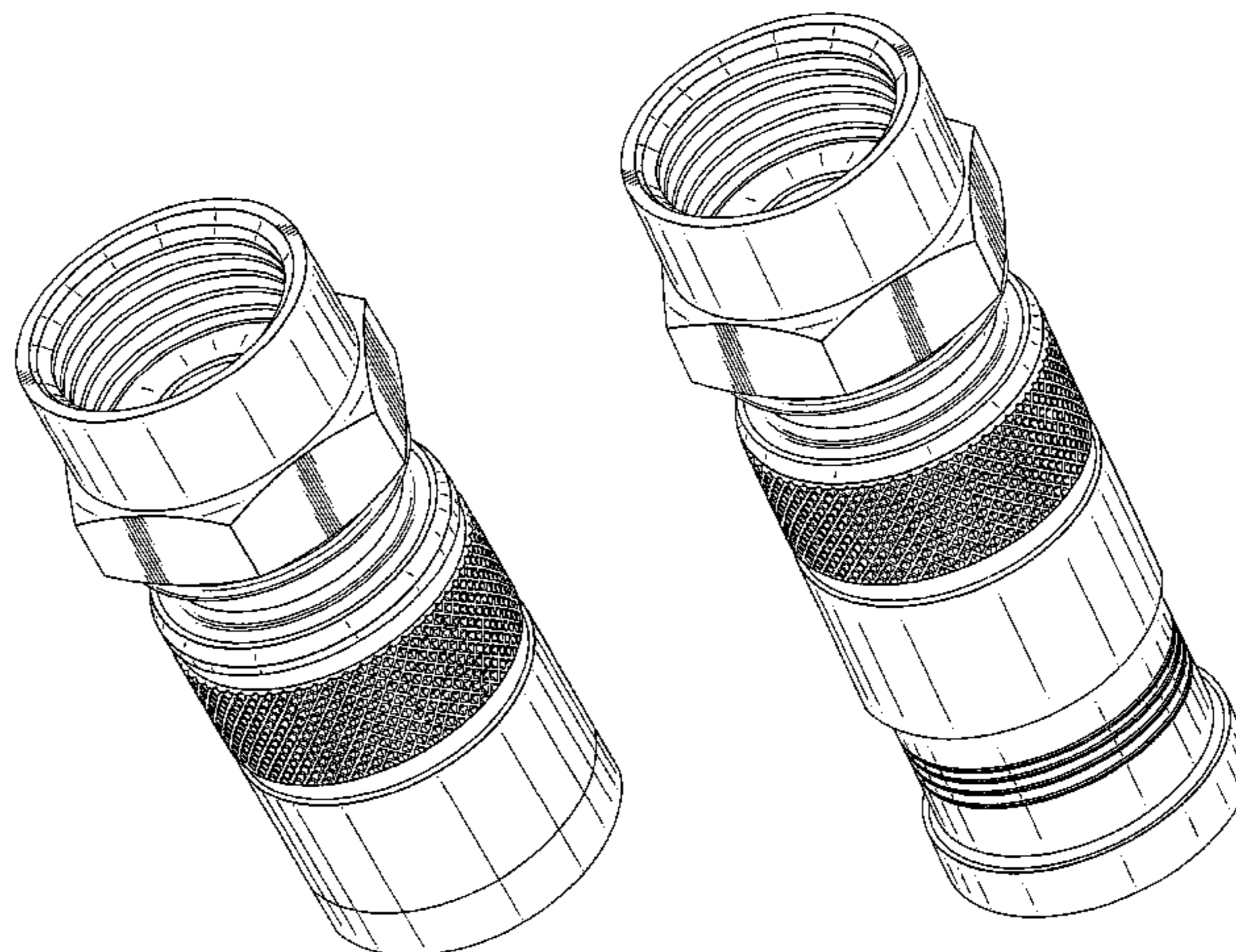
(74) *Attorney, Agent, or Firm*—Wall Marjama & Bilinski  
LLP(57) **CLAIM**The ornamental design for a coax cable connector, as shown  
and described.**DESCRIPTION**FIG. 1 is a top plan view of my new design of a coax cable  
connector;

FIG. 2 is a bottom plan view thereof;

FIG. 3 is a top perspective view thereof, in a closed position;

FIG. 4 is a bottom perspective view thereof, in an open  
position;

FIG. 5 is a top perspective view thereof; and,

FIG. 6 is a front elevation view thereof, with the rear  
elevation view being a mirror image thereto.**1 Claim, 5 Drawing Sheets**

U.S. PATENT DOCUMENTS				
4,553,806 A	11/1985	Forney, Jr. et al.	5,195,906 A	3/1993 Szegda
4,575,274 A	3/1986	Hayward	5,205,761 A	4/1993 Nilsson
4,583,811 A	4/1986	McMills	5,207,602 A	5/1993 McMills et al.
4,593,964 A	6/1986	Forney, Jr. et al.	5,217,391 A	6/1993 Fisher, Jr.
4,596,435 A	6/1986	Bickford	5,217,393 A	6/1993 Del Negro et al.
4,600,263 A	7/1986	DeChamp et al.	5,269,701 A	12/1993 Leibfried, Jr.
4,614,390 A	9/1986	Baker	5,283,853 A	2/1994 Szegda
4,645,281 A	2/1987	Burger	5,295,864 A	3/1994 Birch et al.
4,650,228 A	3/1987	McMills et al.	5,310,359 A *	5/1994 Chadbourne et al. .... 439/462
4,655,159 A	4/1987	McMills	5,316,494 A	5/1994 Flanagan et al.
4,660,921 A	4/1987	Hauver	5,342,218 A	8/1994 McMills et al.
4,668,043 A	5/1987	Saba et al.	5,371,819 A	12/1994 Szegda
4,674,818 A	6/1987	McMills et al.	5,371,821 A	12/1994 Szegda
4,676,577 A	6/1987	Szegda	5,371,827 A	12/1994 Szegda
4,691,976 A	9/1987	Cowen	D355,641 S *	2/1995 Down ..... D13/151
4,738,009 A	4/1988	Down et al.	5,393,244 A	2/1995 Szegda
4,746,305 A	5/1988	Nomura	5,431,583 A	7/1995 Szegda
4,747,786 A	5/1988	Hayashi et al.	5,444,810 A	8/1995 Szegda
4,755,152 A	7/1988	Elliot et al.	5,455,548 A	10/1995 Grandchamp et al.
4,806,116 A	2/1989	Ackerman	5,456,611 A	10/1995 Henry et al.
4,813,886 A	3/1989	Roos et al.	5,456,614 A	10/1995 Szegda
4,813,887 A	3/1989	Capp	5,466,173 A	11/1995 Down
4,834,675 A	5/1989	Samchisen	5,470,257 A	11/1995 Szegda
4,854,893 A	8/1989	Morris	5,494,454 A	2/1996 Johnsen
4,857,014 A	8/1989	Alf et al.	5,501,616 A	3/1996 Holliday
4,869,679 A	9/1989	Szegda	5,525,076 A	6/1996 Down
4,892,275 A	1/1990	Szegda	D371,342 S *	7/1996 Lundback ..... D13/151
4,902,246 A	2/1990	Samchisen	5,542,861 A	8/1996 Anhalt et al.
4,906,207 A	3/1990	Banning et al.	5,548,088 A	8/1996 Gray et al.
4,923,412 A	5/1990	Morris	5,598,132 A	1/1997 Stabile
4,925,403 A	5/1990	Zorzy	5,651,699 A	7/1997 Holliday
4,929,188 A	5/1990	Lionetto et al.	5,667,405 A	9/1997 Holliday
4,990,104 A	2/1991	Schieferly	5,975,951 A	11/1999 Burris et al.
4,990,105 A	2/1991	Karlovich	5,997,350 A	12/1999 Burris et al.
4,990,106 A	2/1991	Szegda	6,032,358 A	3/2000 Wild
5,002,503 A	3/1991	Campbell et al.	6,102,737 A	8/2000 Gohdes
5,021,010 A	6/1991	Wright	6,153,830 A	11/2000 Montena
5,024,606 A	6/1991	Ming-Hwa	D437,826 S	2/2001 Montena
5,037,328 A	8/1991	Karlovich	D462,327 S	9/2002 Montena
5,062,804 A	11/1991	Jamet et al.	6,491,546 B1	12/2002 Perry
5,066,248 A	11/1991	Gaver, Jr. et al.	D468,696 S	1/2003 Montena
5,073,129 A	12/1991	Szegda	D475,976 S	6/2003 Montena
5,083,943 A	1/1992	Tarrant	D475,977 S	6/2003 Montena
5,127,853 A	7/1992	McMills et al.	D476,957 S *	7/2003 Chudoba et al. .... D13/151
5,131,862 A	7/1992	Gershfeld	6,644,993 B1	11/2003 Victor
5,141,451 A	8/1992	Down	6,672,903 B1	1/2004 Chen
5,181,161 A	1/1993	Hirose et al.	D503,685 S *	4/2005 Montena ..... D13/154
D333,511 S *	2/1993	Mikiya et al. .... D23/262	2002/0013088 A1	1/2002 Rodrigues et al.

\* cited by examiner

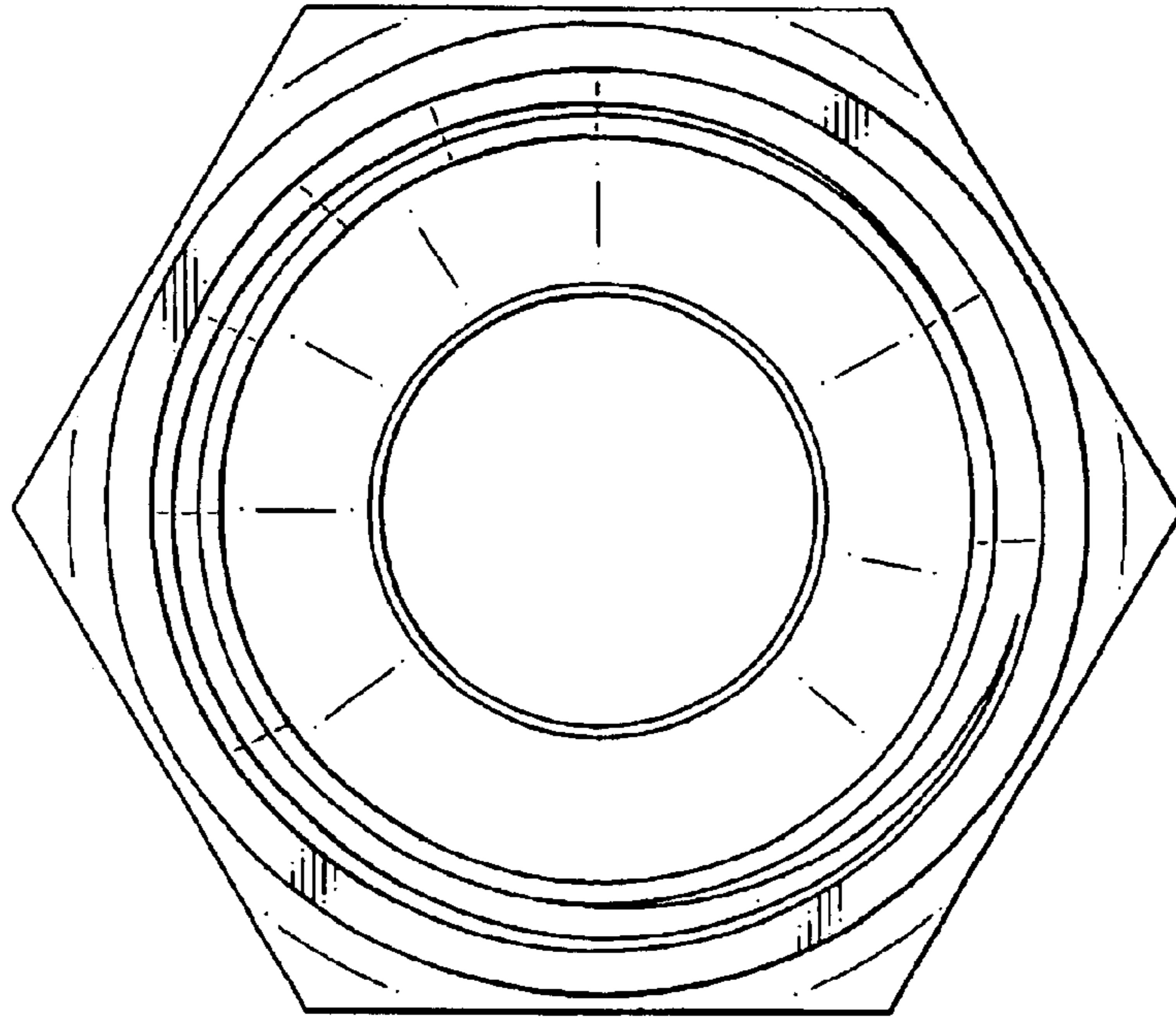


FIG. 1

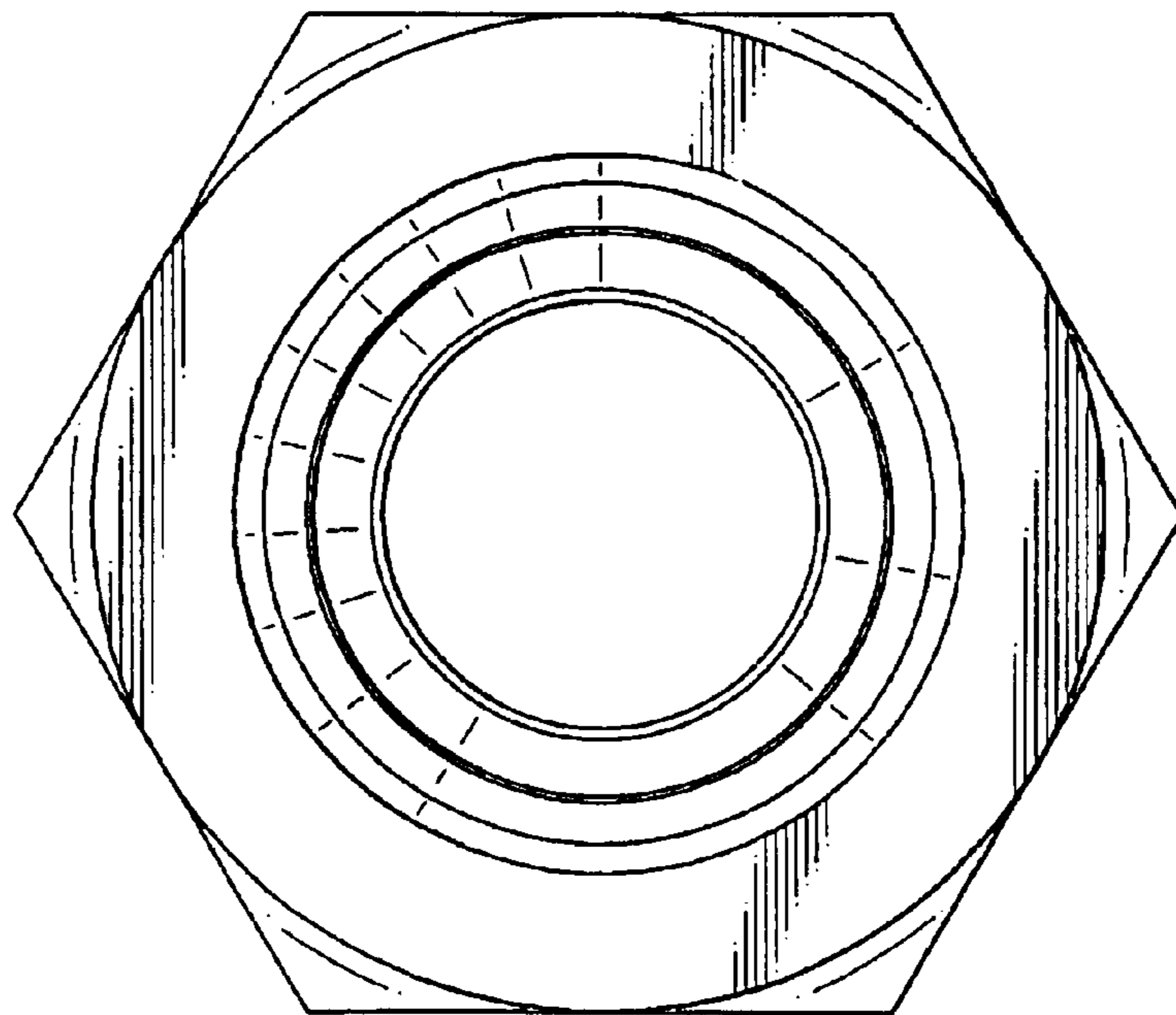


FIG. 2

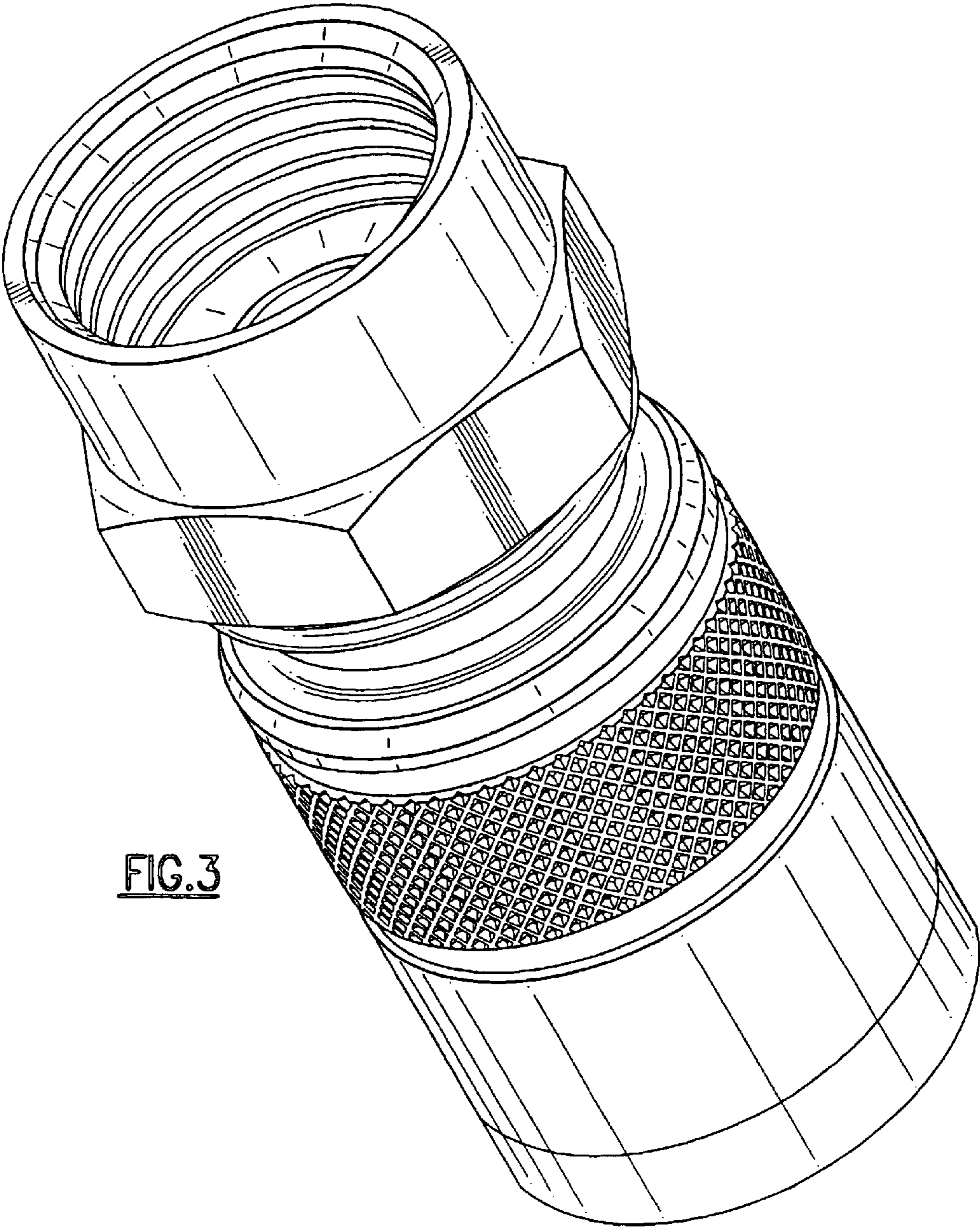


FIG. 3

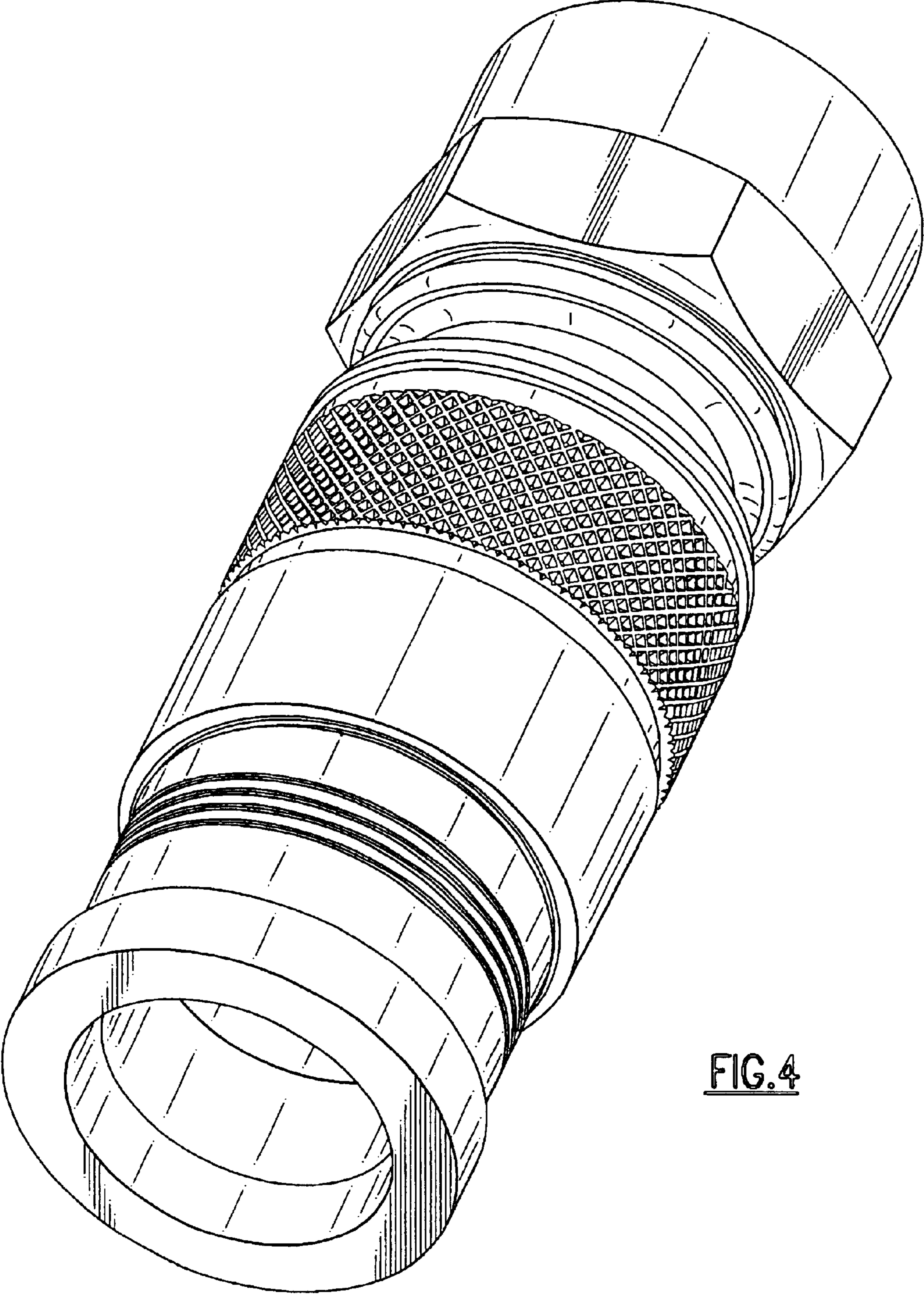


FIG. 4

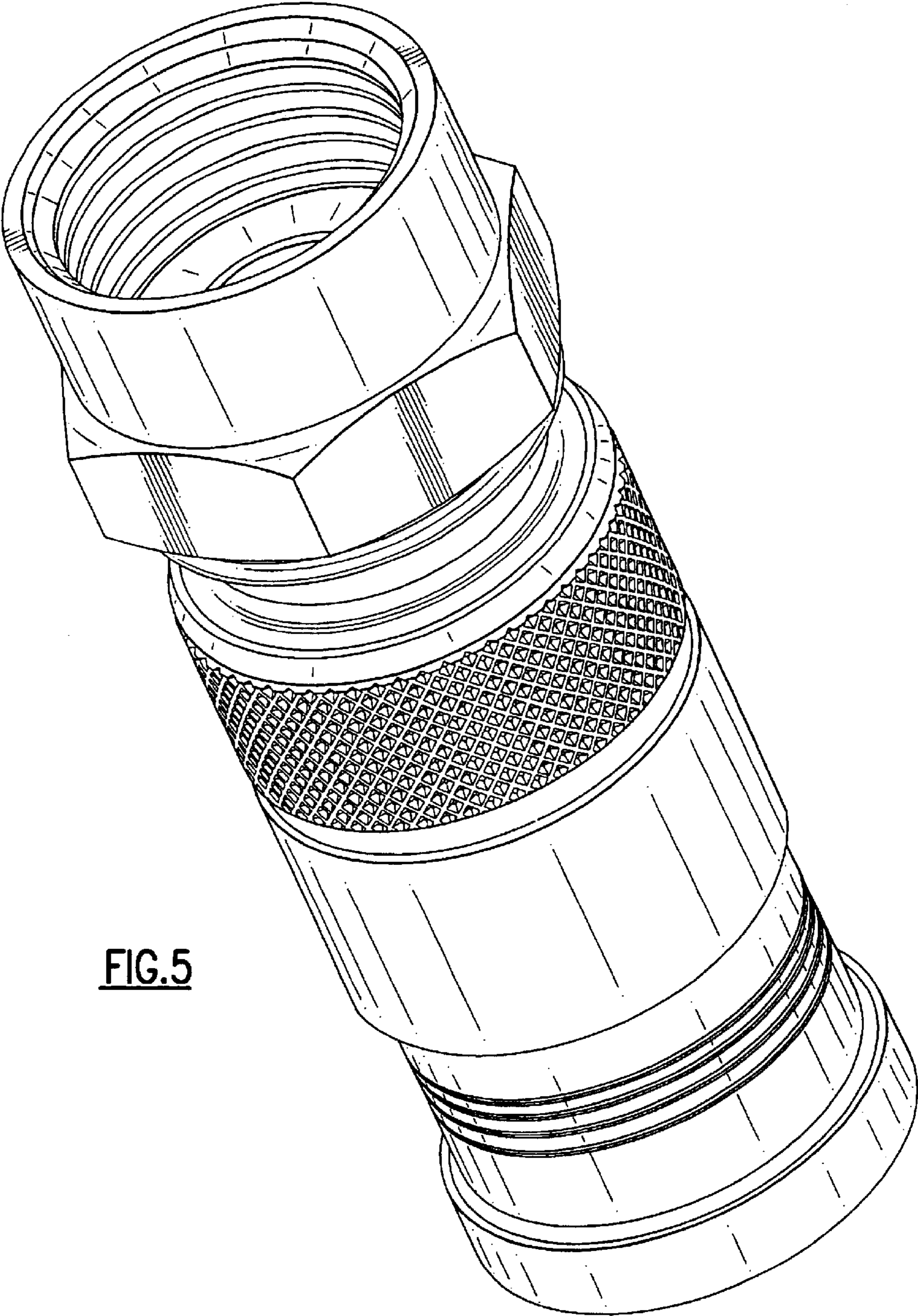


FIG. 5

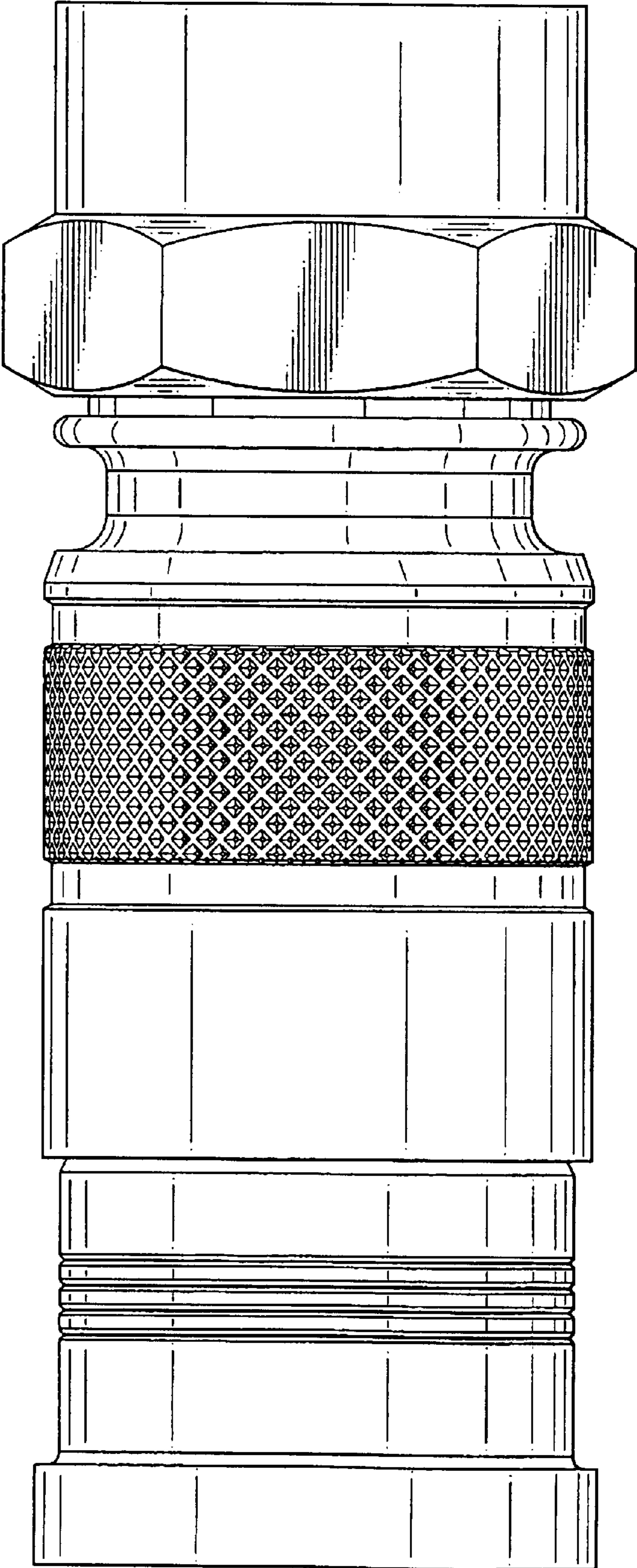


FIG.6