

US00D519074S

(12) **United States Design Patent**
McAnally

(10) **Patent No.:** **US D519,074 S**

(45) **Date of Patent:** **** Apr. 18, 2006**

(54) **AUXILIARY BUMPER-MOUNTED RACK FOR RECREATIONAL VEHICLES**

Primary Examiner—Stacia Cadmus

(74) *Attorney, Agent, or Firm*—Stephen D. Carver

(76) **Inventor:** **David Keith McAnally**, P.O. Box 744,
Paragould, AR (US) 72451

(57) **CLAIM**

The ornamental design for an auxiliary bumper-mounted rack for recreational vehicles, as shown and described.

(**) **Term:** **14 Years**

(21) **Appl. No.:** **29/189,831**

DESCRIPTION

(22) **Filed:** **Sep. 12, 2003**

(51) **LOC (8) Cl.** **12-16**

FIG. 1 is a perspective view of an auxiliary bumper-mounted rack for recreational vehicles, showing our new design, shown with environmental structure;

(52) **U.S. Cl.** **D12/406**

FIG. 2 is a front perspective view thereof;

(58) **Field of Classification Search** D12/406,

FIG. 3 is a rear perspective view thereof;

D12/412–414.1, 162, 106, 408, 202; 280/495,
280/504, 415.1, 769, 491.2, 511; 108/44;
296/26.05–26.09, 26.13; 224/525, 487, 529–530,
224/405.499, 501, 506, 510, 521, 532, 536,
224/402, 526, 485, 497, 282, 519, 924, 405,
224/250, 493

FIG. 4 is a bottom perspective view thereof;

FIG. 5 is a front view thereof;

FIG. 6 is a left side view thereof;

FIG. 7 is a right side view thereof;

FIG. 8 is a top plan view thereof;

FIG. 9 is a bottom plan view thereof; and,

FIG. 10 is another front view thereof.

See application file for complete search history.

The rack is shown on an enlarged scale in FIGS. 2–8 as compared with FIG. 1 and on a further enlarged scale in FIGS. 9 and 10 as compared with FIGS. 2–8.

The broken line showing of environment is for illustrative purposes only and forms no part of the claimed design.

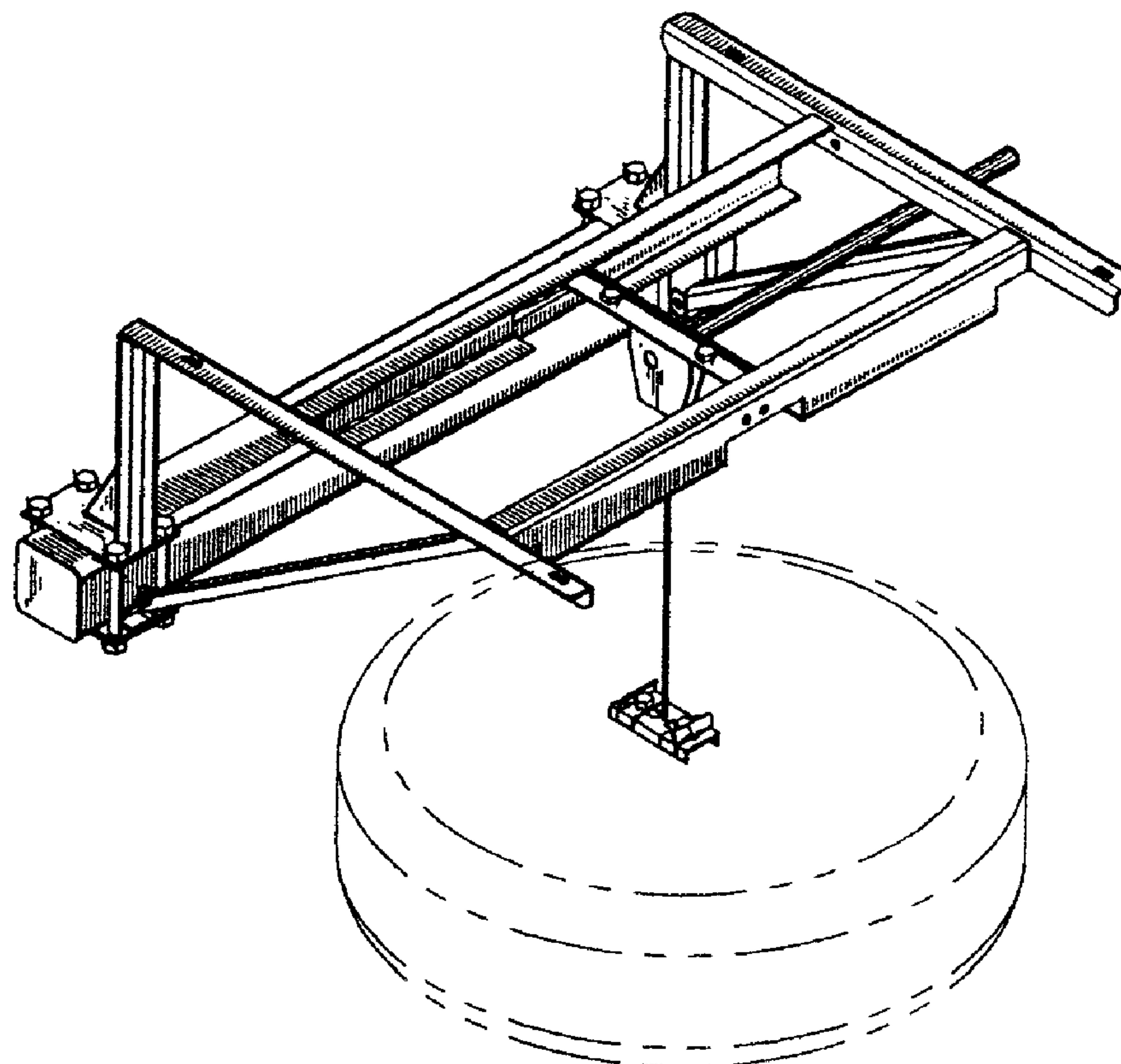
(56) **References Cited**

U.S. PATENT DOCUMENTS

D369,340 S	*	4/1996	Lichtbach	D12/408
D369,996 S	*	5/1996	Wylie	D12/162
D377,163 S	*	1/1997	Davis	D12/408
D404,348 S	*	1/1999	Hohnholt	D12/162
D487,049 S	*	2/2004	Ziaylek et al.	D12/406
D505,106 S	*	5/2005	Kuseske et al.	D12/406

* cited by examiner

1 Claim, 10 Drawing Sheets



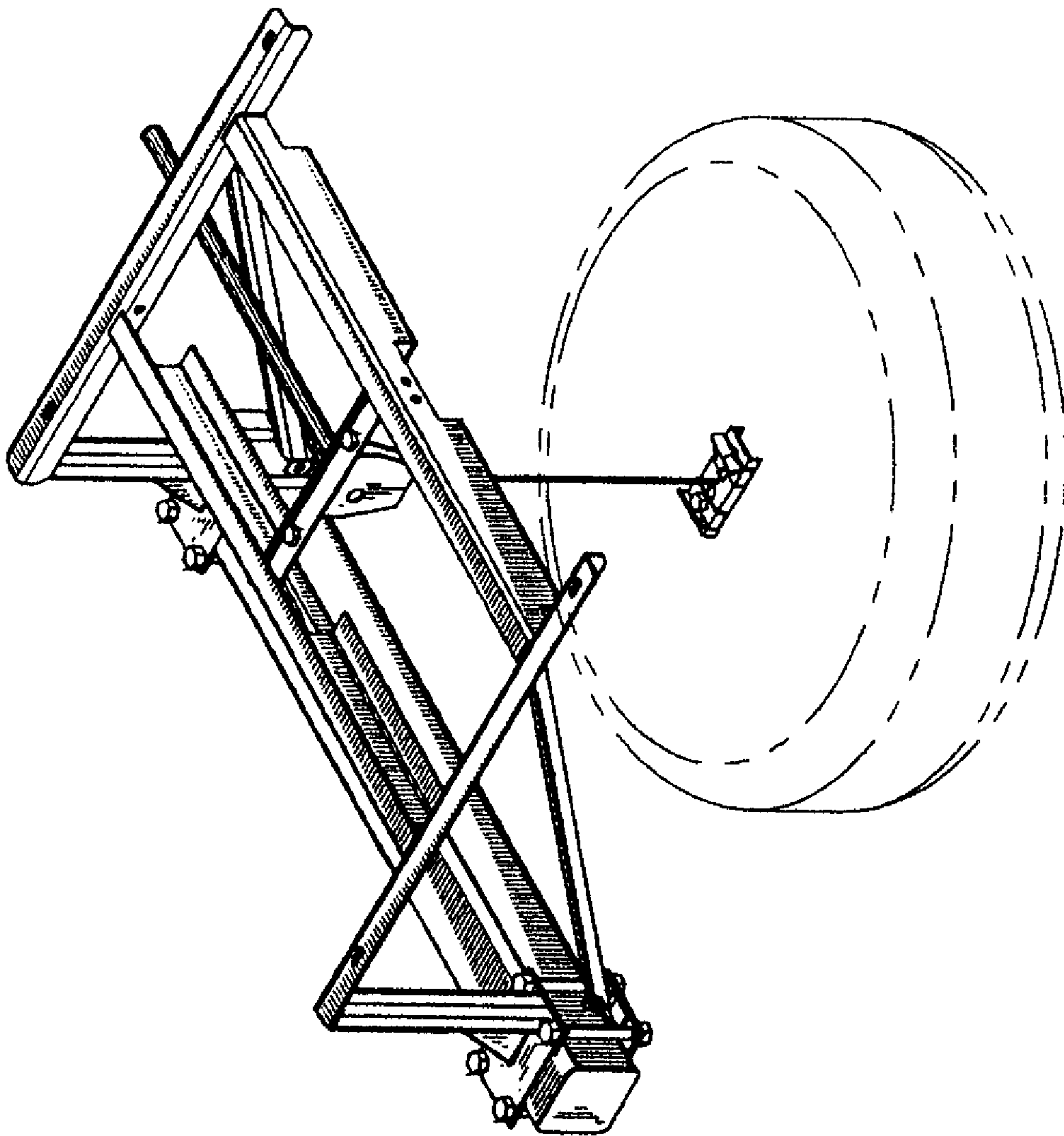


Fig. 1

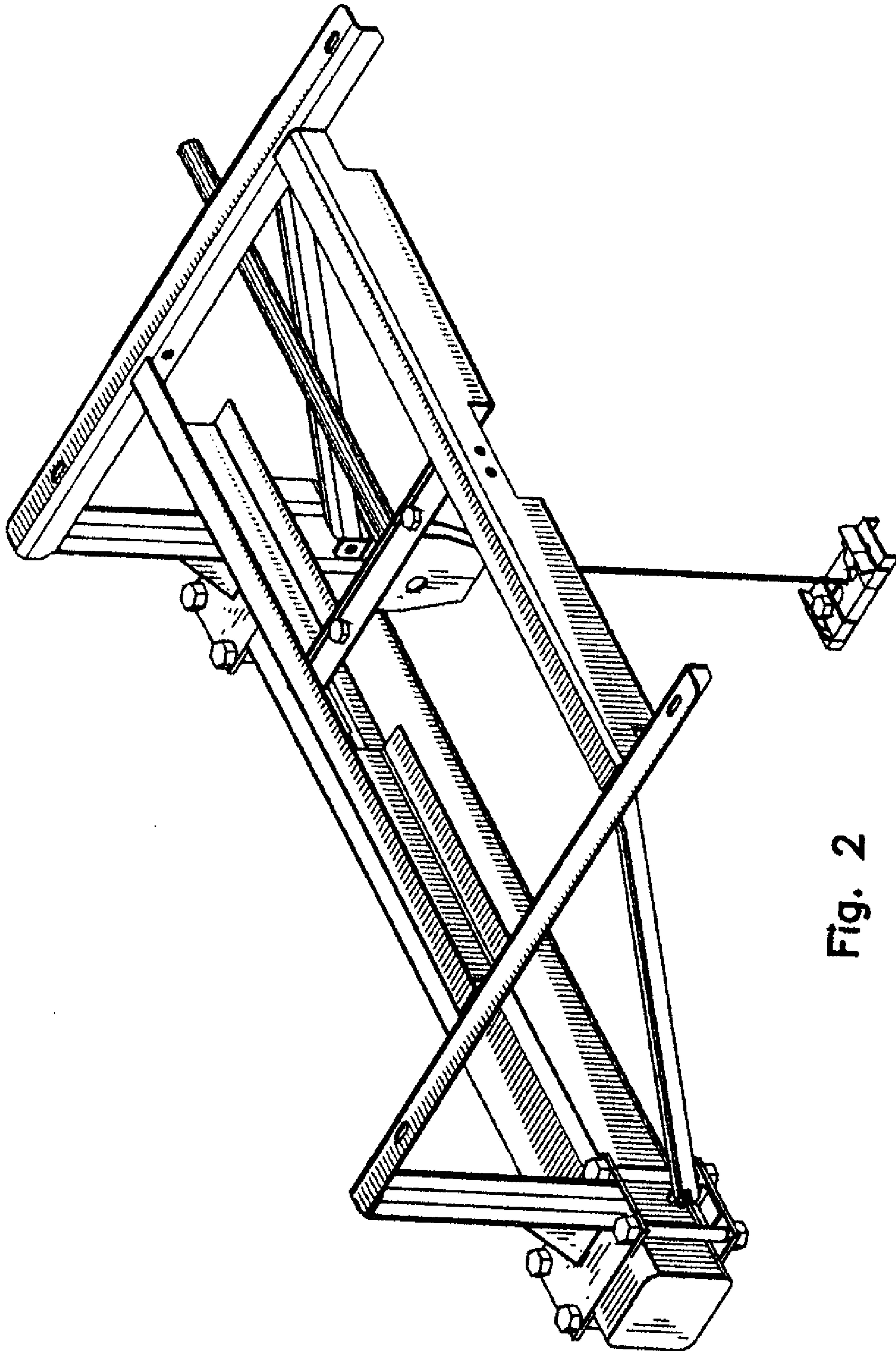


Fig. 2

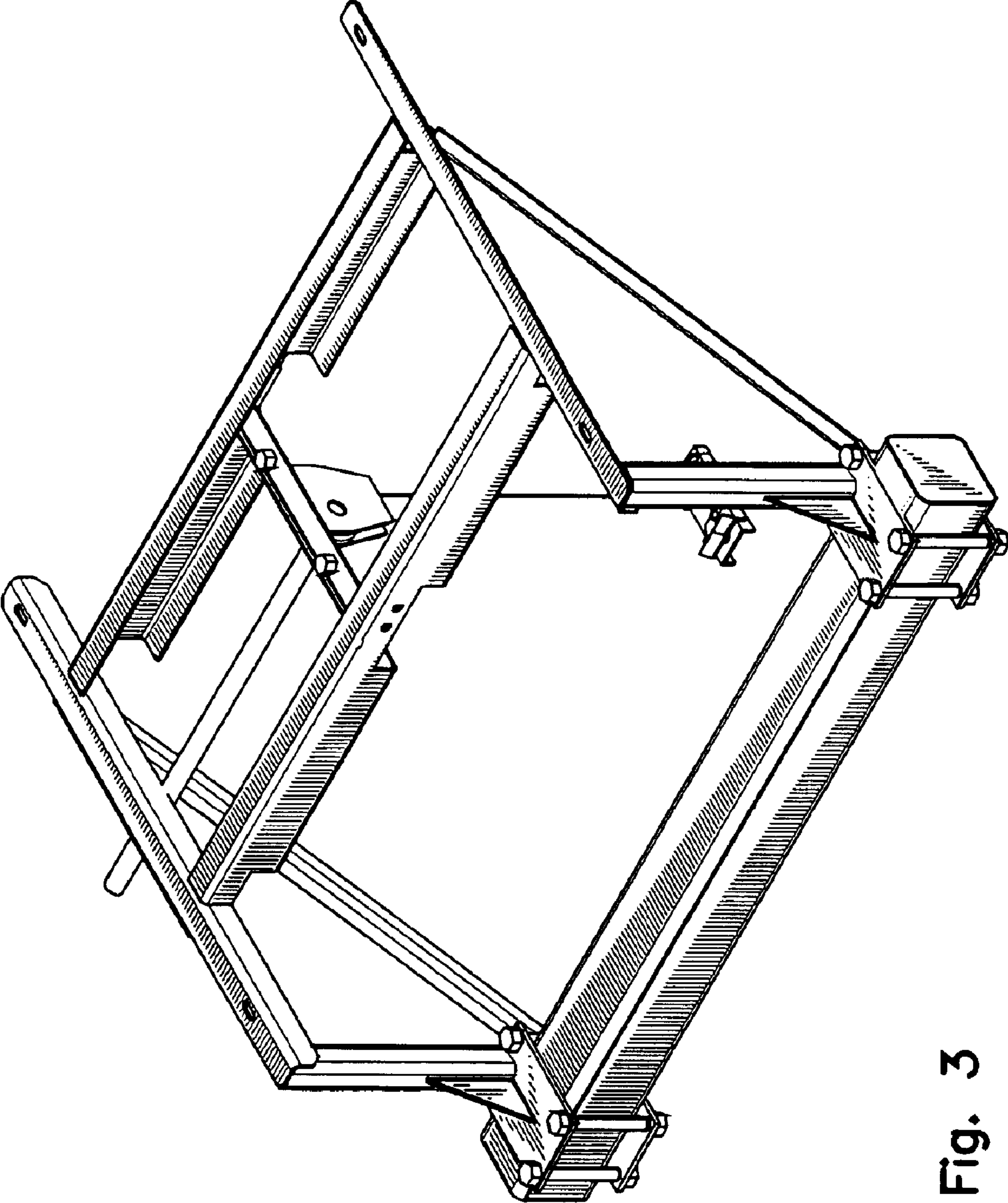


Fig. 3

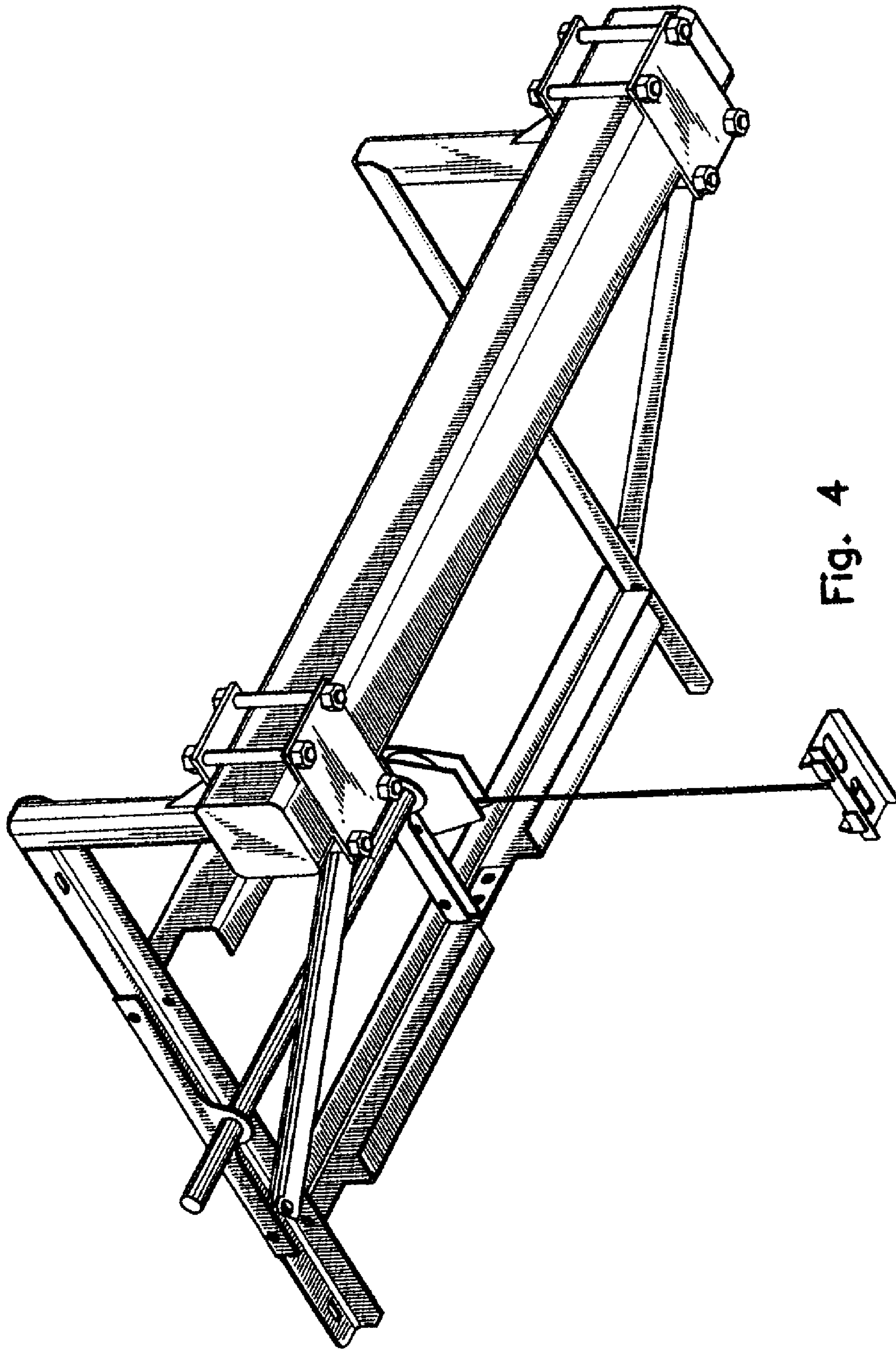


Fig. 4

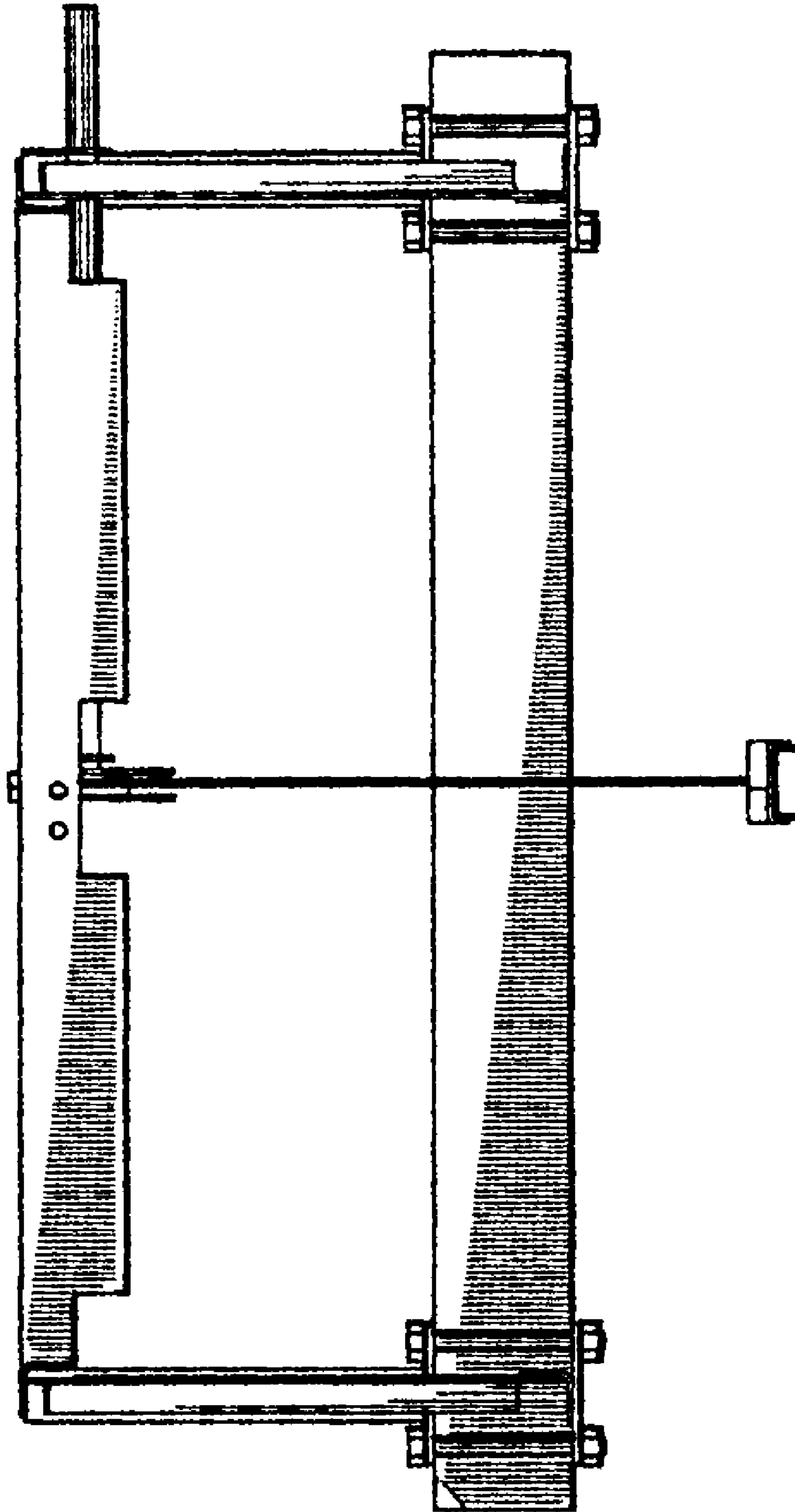


Fig. 5

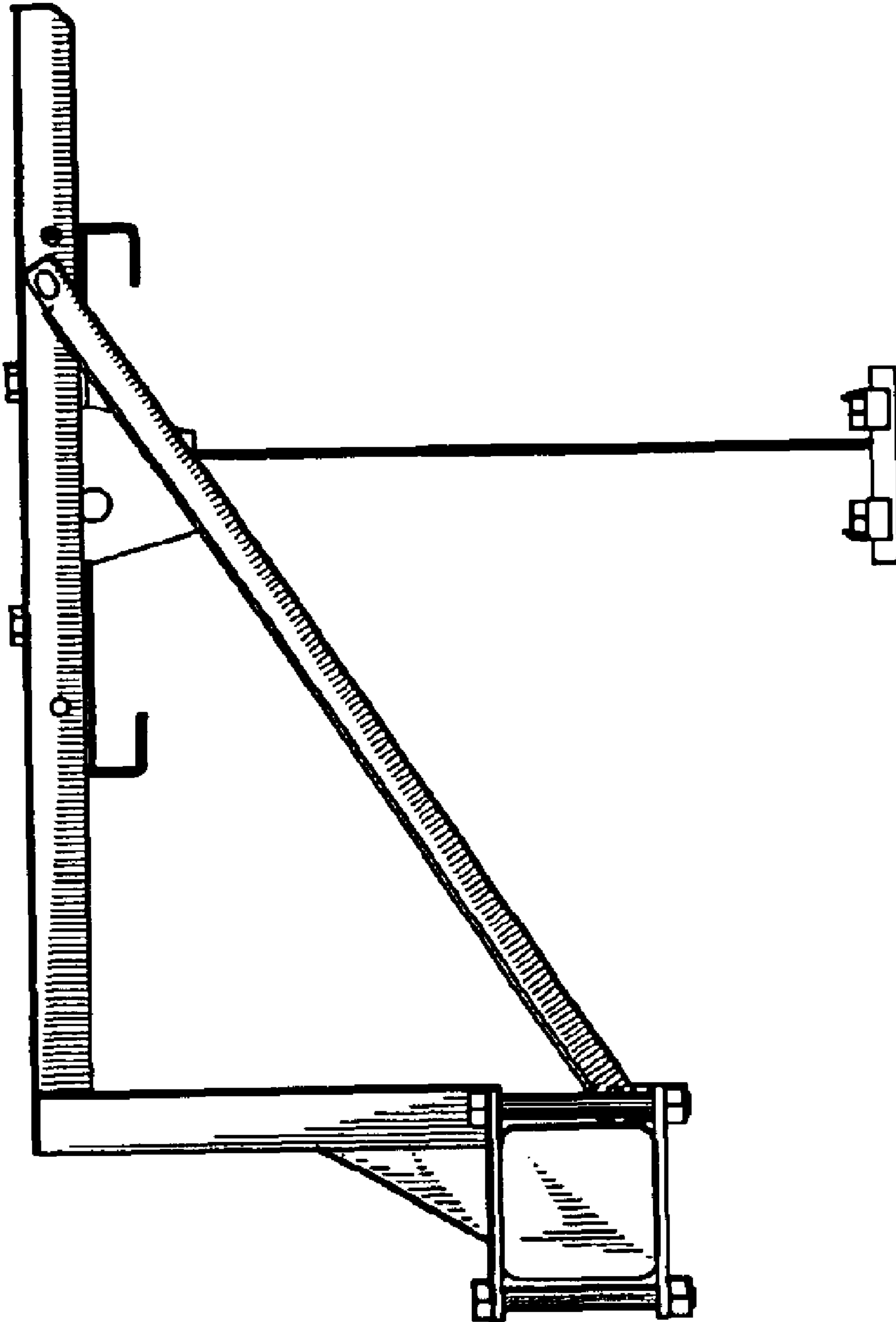


Fig. 6

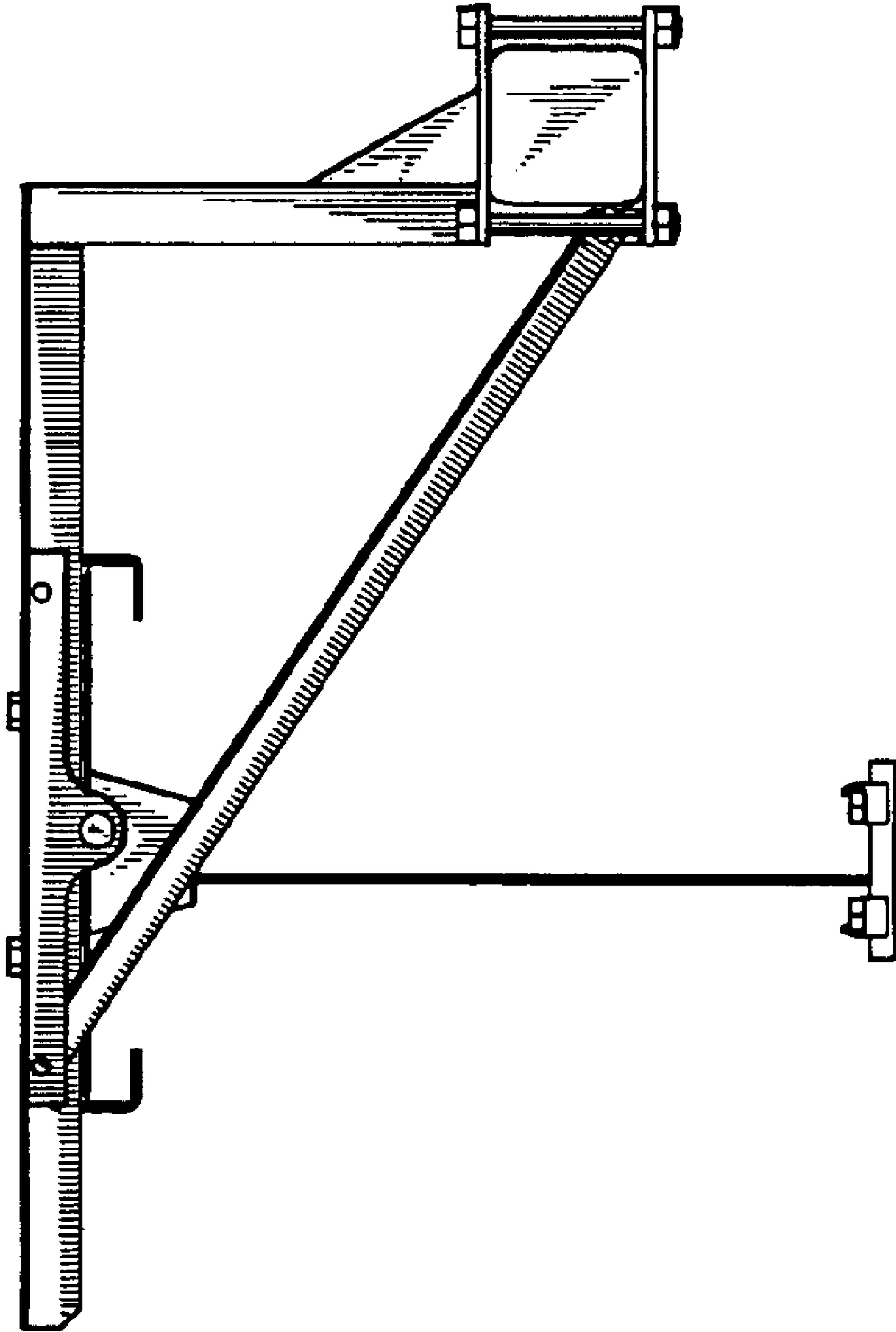


Fig. 7

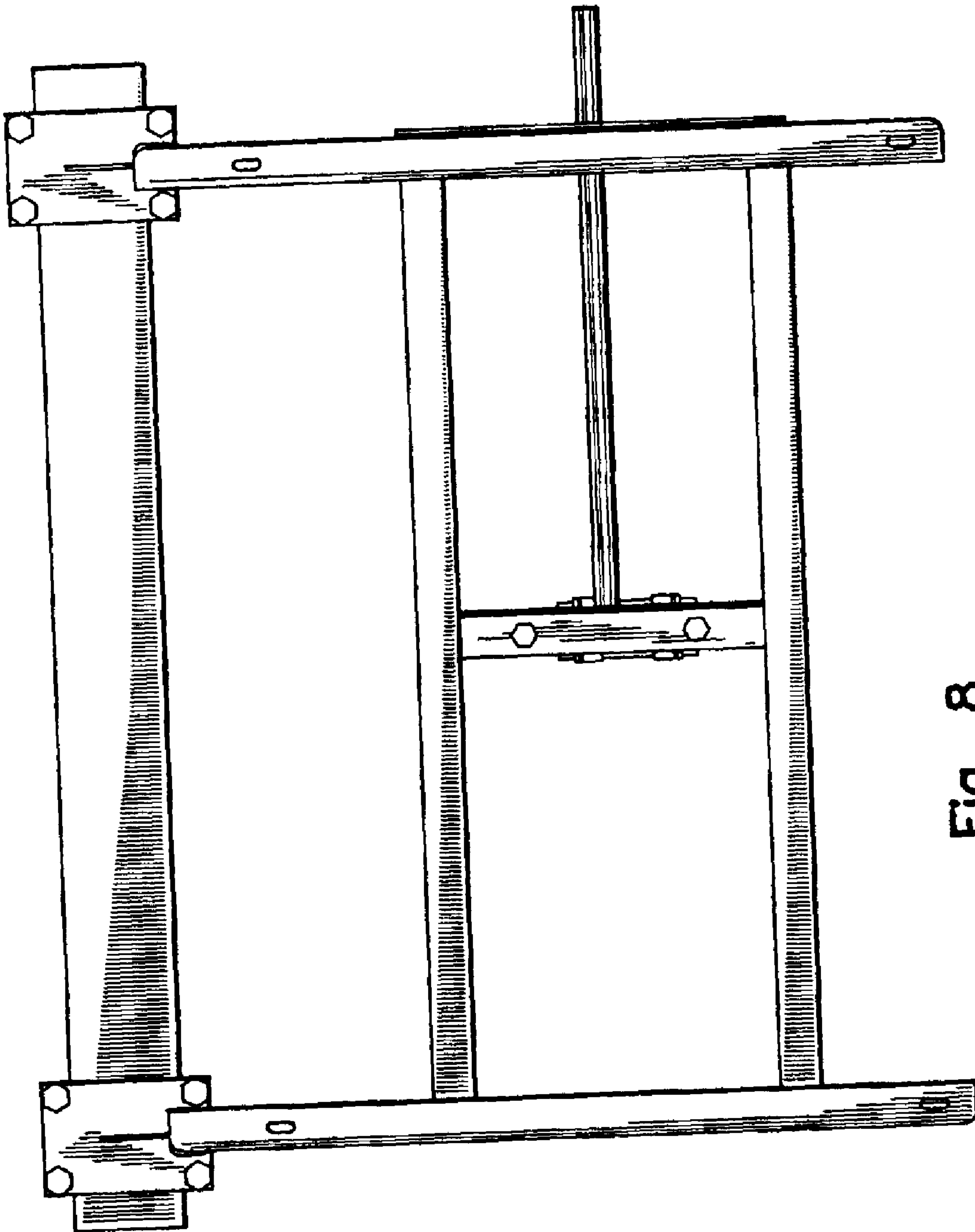


Fig. 8

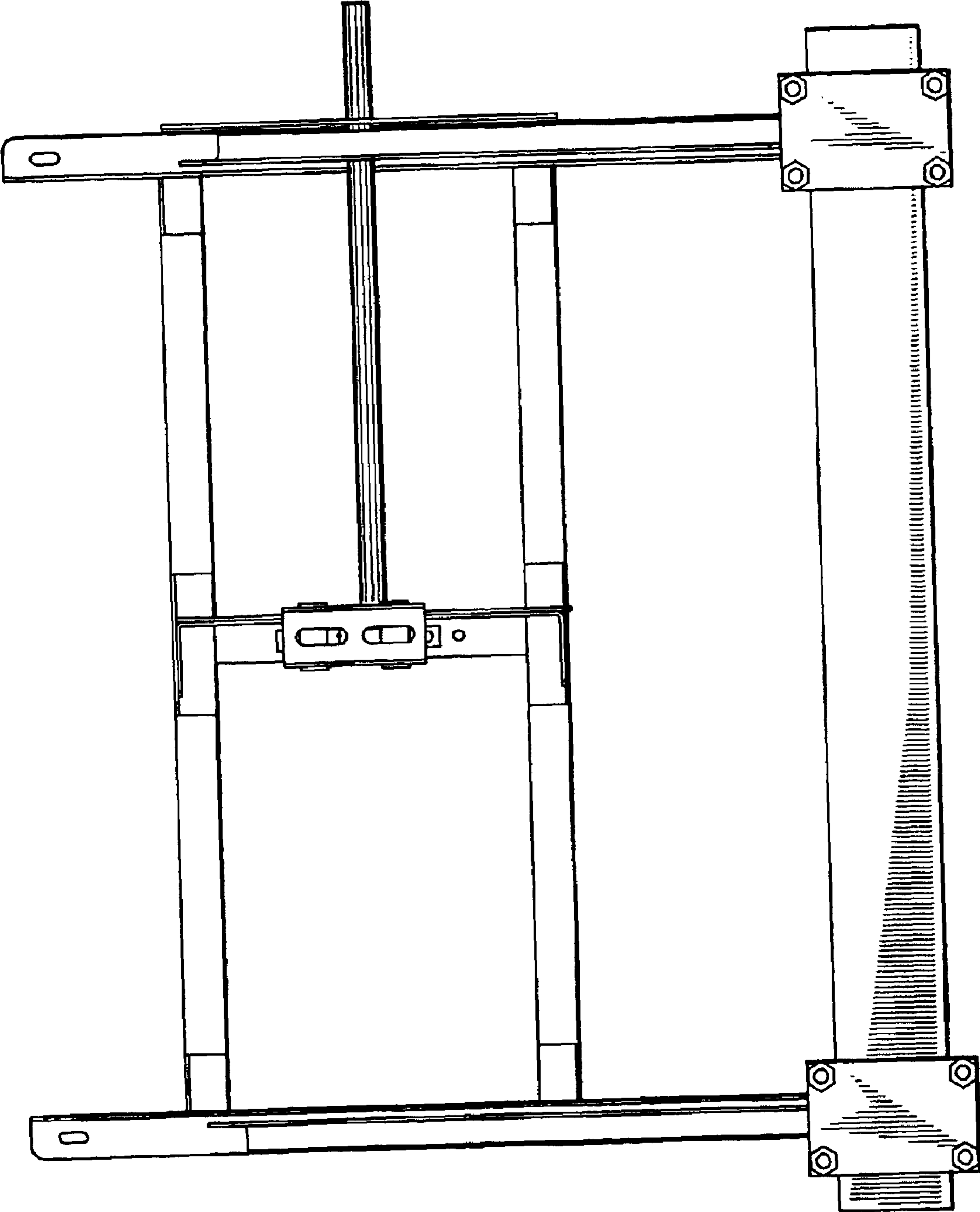


Fig. 9

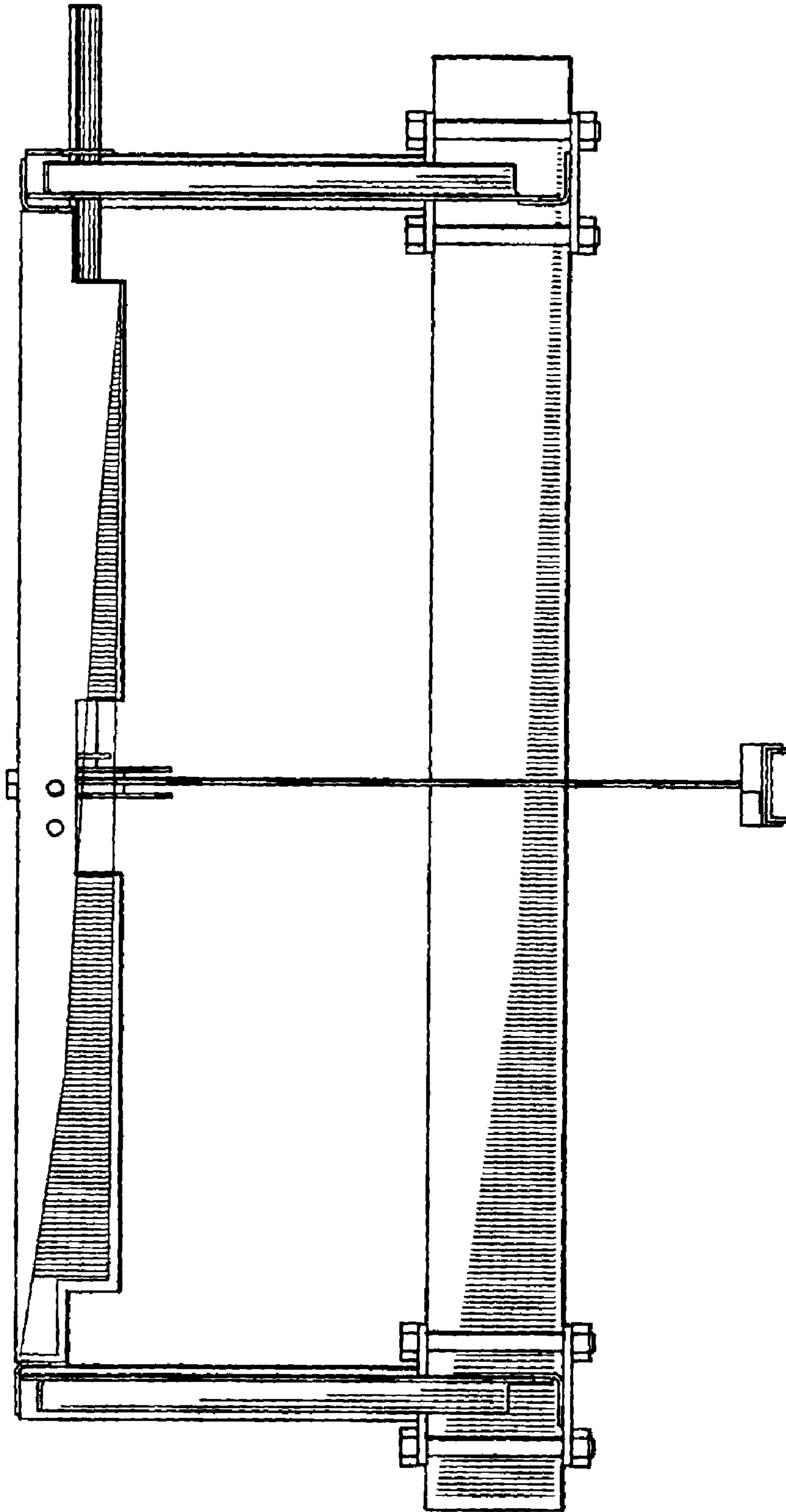


Fig. 10