



US00D519073S

(12) **United States Design Patent**
Hake

(10) **Patent No.:** **US D519,073 S**

(45) **Date of Patent:** **** Apr. 18, 2006**

(54) **SAILBOAT**

(76) **Inventor:** **Nicholas Hake**, 4450 SE. Hampton Ct.,
Stuart, FL (US) 34997

(**) **Term:** **14 Years**

(21) **Appl. No.:** **29/174,502**

(22) **Filed:** **Jan. 21, 2003**

(51) **LOC (8) Cl.** **12-06**

(52) **U.S. Cl.** **D12/303**

(58) **Field of Classification Search** D12/300,
D12/303-304; 114/343, 39.13

See application file for complete search history.

(56) **References Cited**

U.S. PATENT DOCUMENTS

3,795,214	A	*	3/1974	Sweeney	114/39.22
D237,372	S	*	10/1975	Cornwell	D12/304
D239,375	S	*	3/1976	Henry	D12/303
D241,326	S	*	9/1976	Crealock	D12/303
D242,134	S	*	11/1976	Humpley	D12/303
6,230,647	B1	*	5/2001	Donoian	114/343

OTHER PUBLICATIONS

Seaward Sailboats. Product page, [online]. Hake Yachts, 2001 [retrieved on Mar. 13, 2004]. Retrieved from the Internet: <URL: <http://web.archive.org/web/200111120023749/http://www.seawardyachts.com/>>.*

Seaward Eagle. Product page, [online]. Hake Yachts, 2001 [retrieved on Mar. 13, 2004]. Retrieved from the Internet: <URL: <http://web.archive.org/web/20010802032546/www.seawardyachts.com/page4.html>>.*

* cited by examiner

Primary Examiner—Holly H. Baynham

(74) *Attorney, Agent, or Firm*—Kevin Redmond

(57) **CLAIM**

I claim the ornamental design for a sailboat, as shown and described.

DESCRIPTION

FIG. 1 is a side view of the sailboat carried by a trailer with its keel raised and its mast lowered.

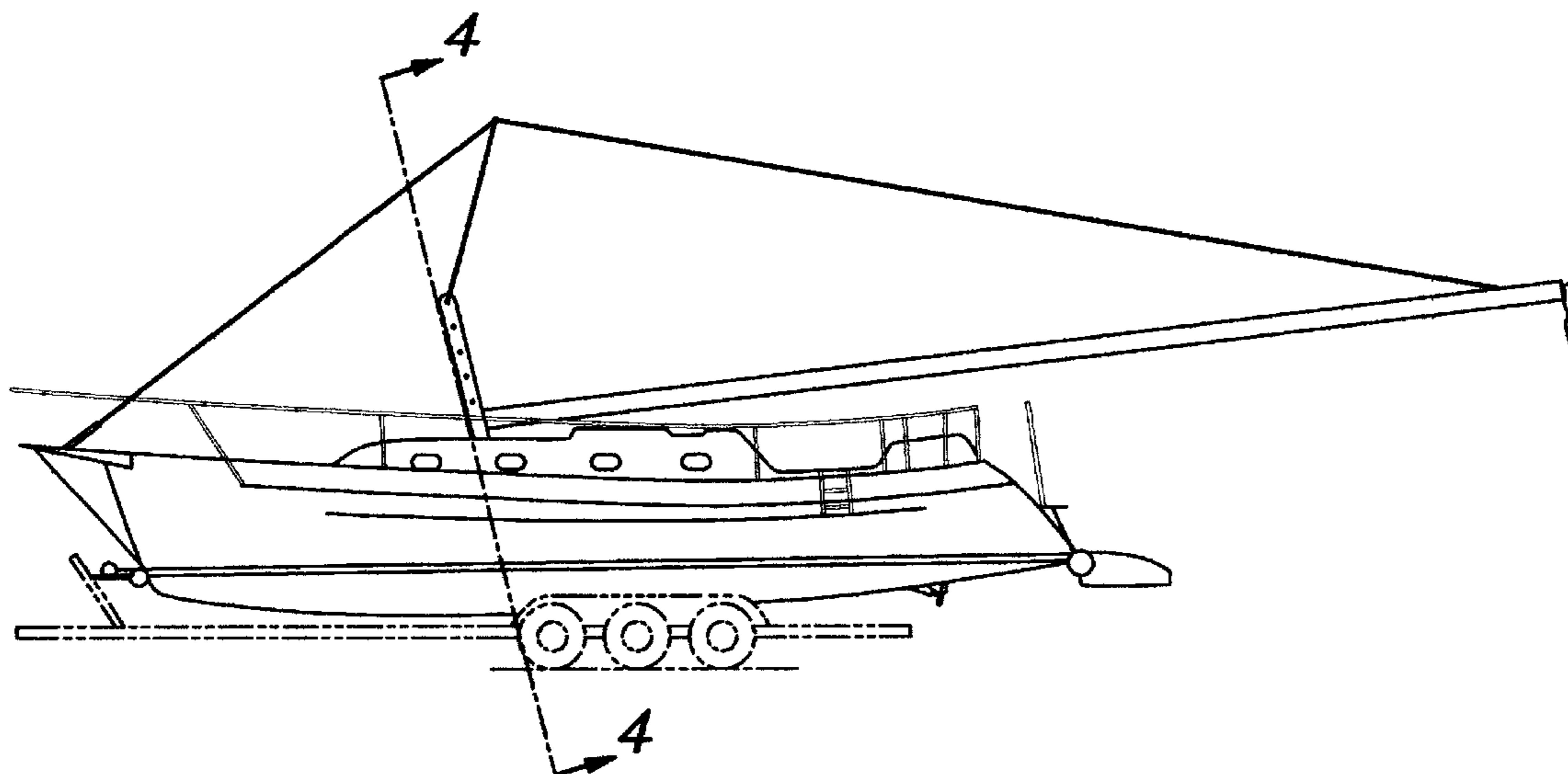
FIG. 2 is a side view of the sailboat carried by a trailer with its mast raised.

FIG. 3 is a starboard side view of the keel system taken as a section 3—3 in FIG. 4.

FIG. 4 is a front elevation of the keel system taken as a section 4—4 in FIG. 1; and,

FIG. 5 is a side view of the sailboat without a trailer showing a torpedo shaped keel ballast below the boat hull.

1 Claim, 4 Drawing Sheets



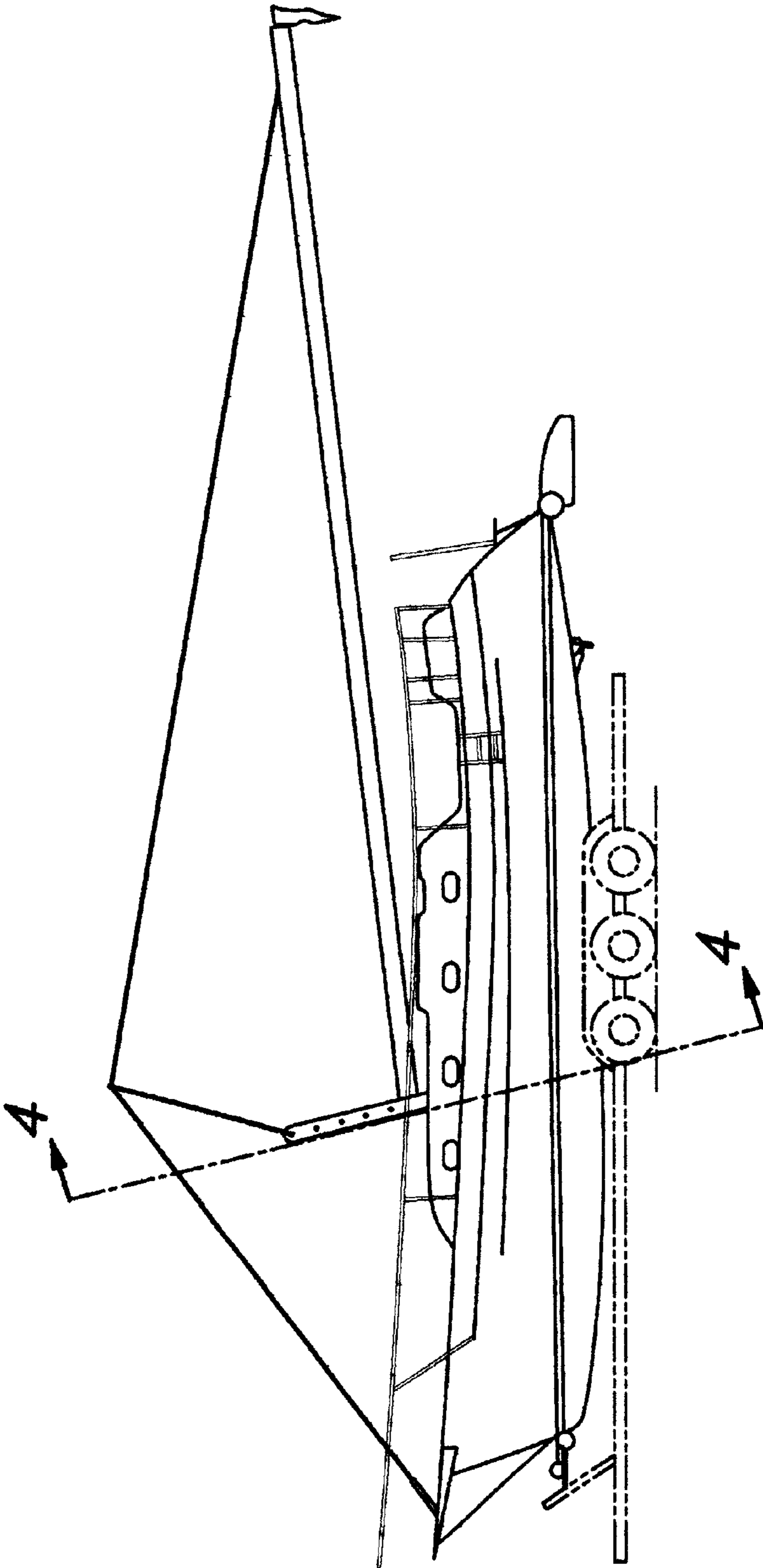


Fig. 1

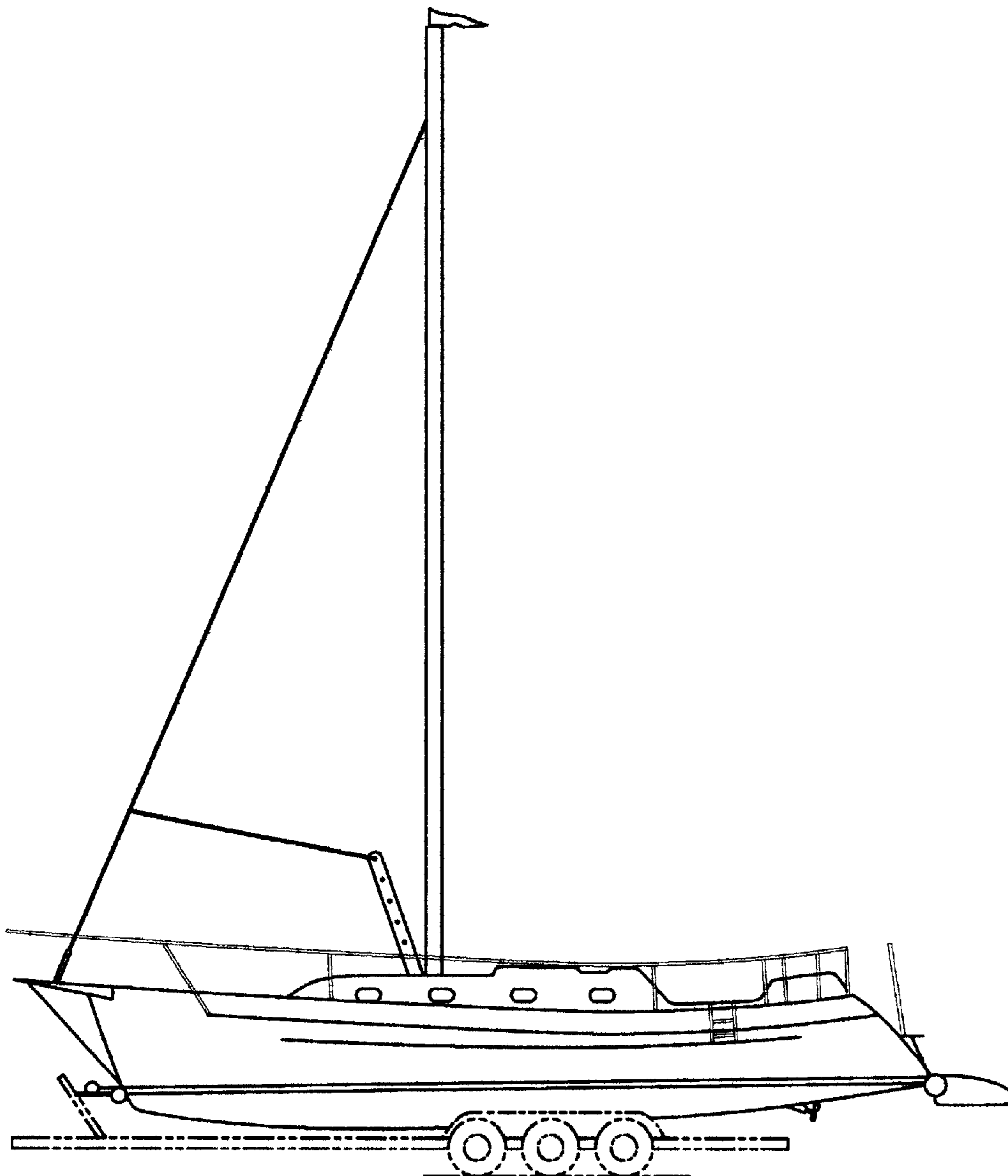


Fig. 2

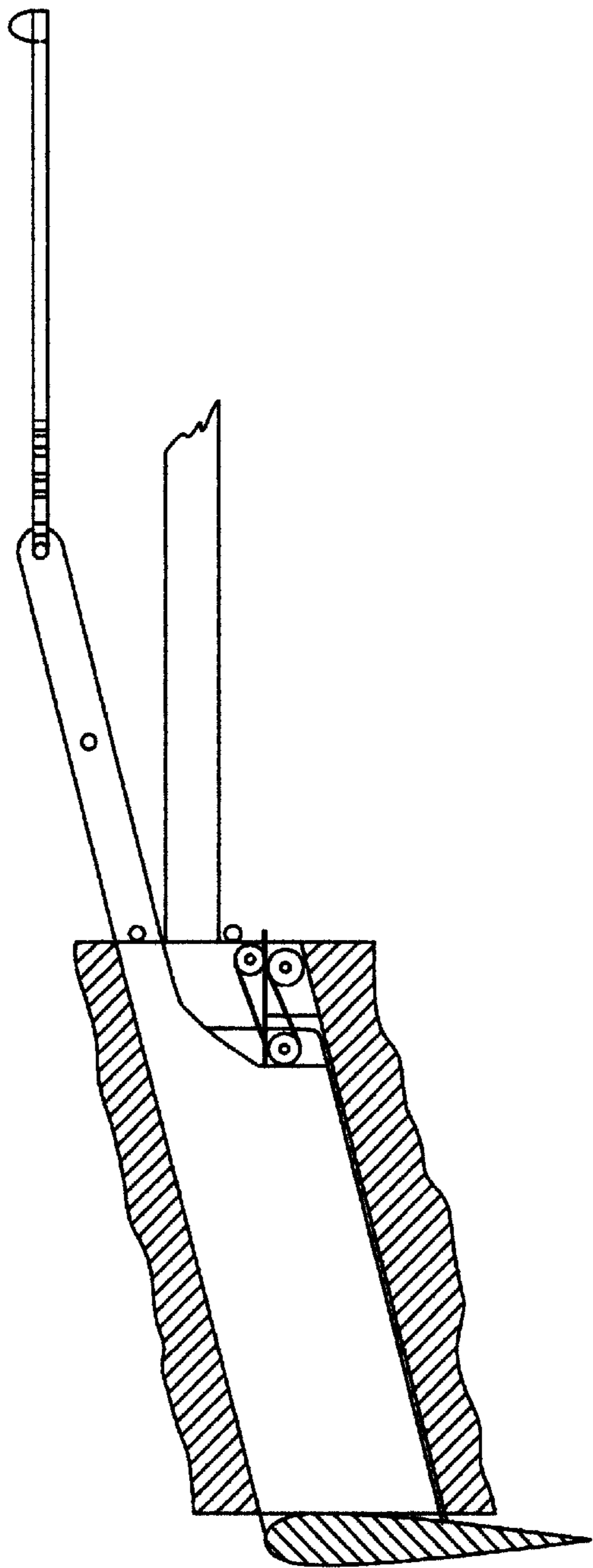


Fig. 3

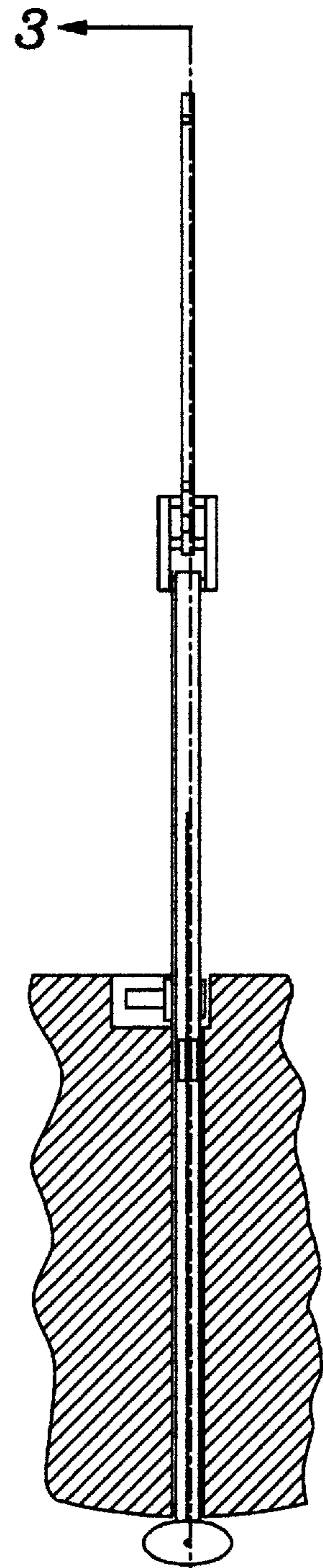


Fig. 4

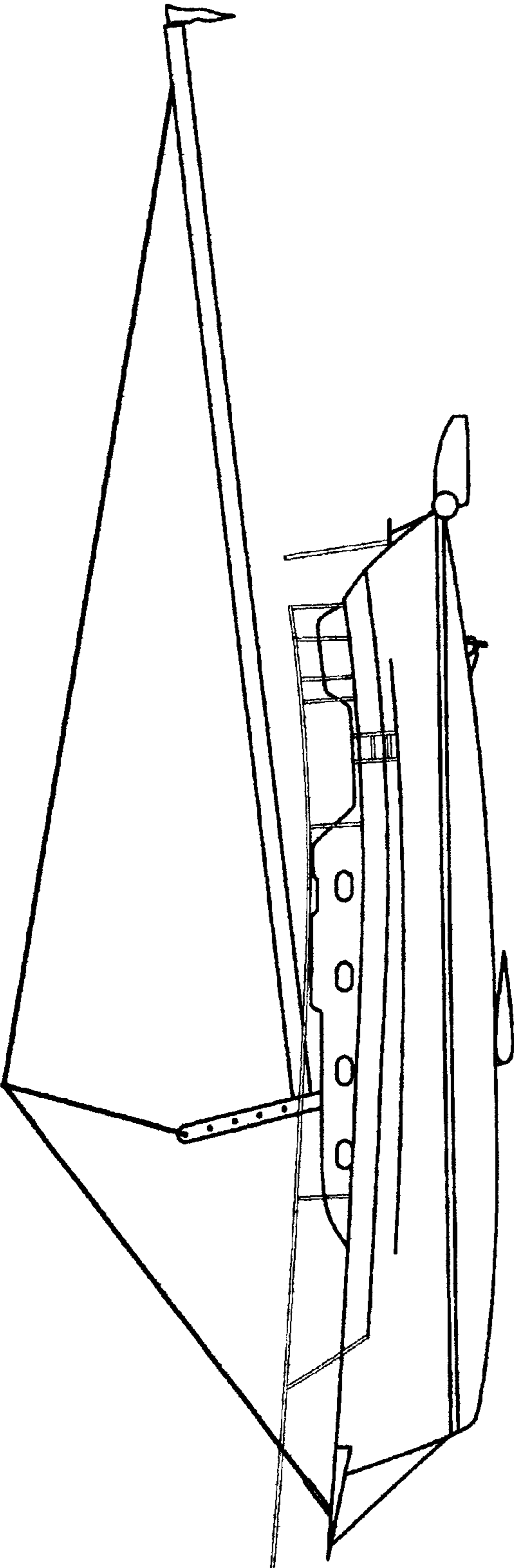


Fig. 5