

US00D519071S

(12) **United States Design Patent**  
**Moruzzi**

(10) **Patent No.:** **US D519,071 S**

(45) **Date of Patent:** **\*\* Apr. 18, 2006**

(54) **EXTERNAL REARVIEW MIRROR FOR A CAR**

D468,670 S \* 1/2003 Warming ..... D12/187  
D500,274 S \* 12/2004 Pfeiffer ..... D12/187  
D506,424 S \* 6/2005 Kuo ..... D12/187  
D508,447 S \* 8/2005 Morrow et al. .... D12/187

(75) Inventor: **Patrizio Moruzzi**, Bologna (IT)

\* cited by examiner

(73) Assignee: **Ferrari, S.p.A.**, Modena (IT)

*Primary Examiner*—Melody N. Brown

(\*\*) Term: **14 Years**

(74) *Attorney, Agent, or Firm*—Cowan, Liebowitz & Latman, P.C.

(21) Appl. No.: **29/223,280**

(22) Filed: **Feb. 11, 2005**

(57) **CLAIM**

(30) **Foreign Application Priority Data**

The ornamental design for an external rearview mirror for a car, as shown and described.

Aug. 16, 2004 (EM) ..... 000216650

**DESCRIPTION**

(51) **LOC (8) Cl.** ..... **12-16**

(52) **U.S. Cl.** ..... **D12/187**

(58) **Field of Classification Search** ..... D12/187-189;  
359/838-851, 855-868, 871-881

See application file for complete search history.

FIG. 1 is a front perspective view of the external rearview mirror for a car showing my design thereof;  
FIG. 2 is a front view thereof;  
FIG. 3 is a right side view thereof;  
FIG. 4 is a left side view thereof;  
FIG. 5 is a rear view thereof;  
FIG. 6 is a top view thereof; and,  
FIG. 7 is a bottom view thereof.

(56) **References Cited**

**U.S. PATENT DOCUMENTS**

D294,139 S \* 2/1988 Kretschmer ..... D12/187  
D455,690 S \* 4/2002 Lee ..... D12/187

**1 Claim, 2 Drawing Sheets**

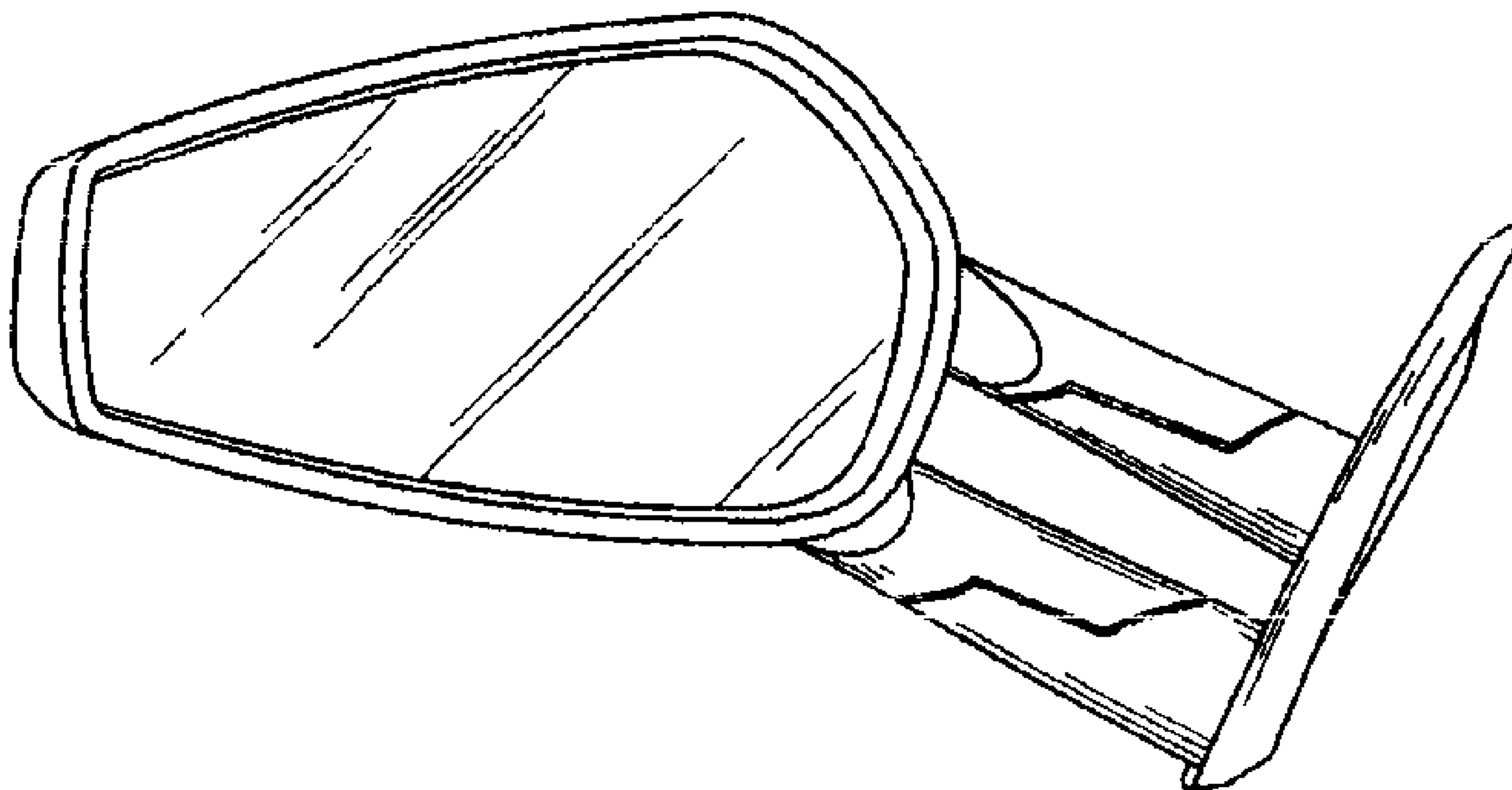


Fig. 1

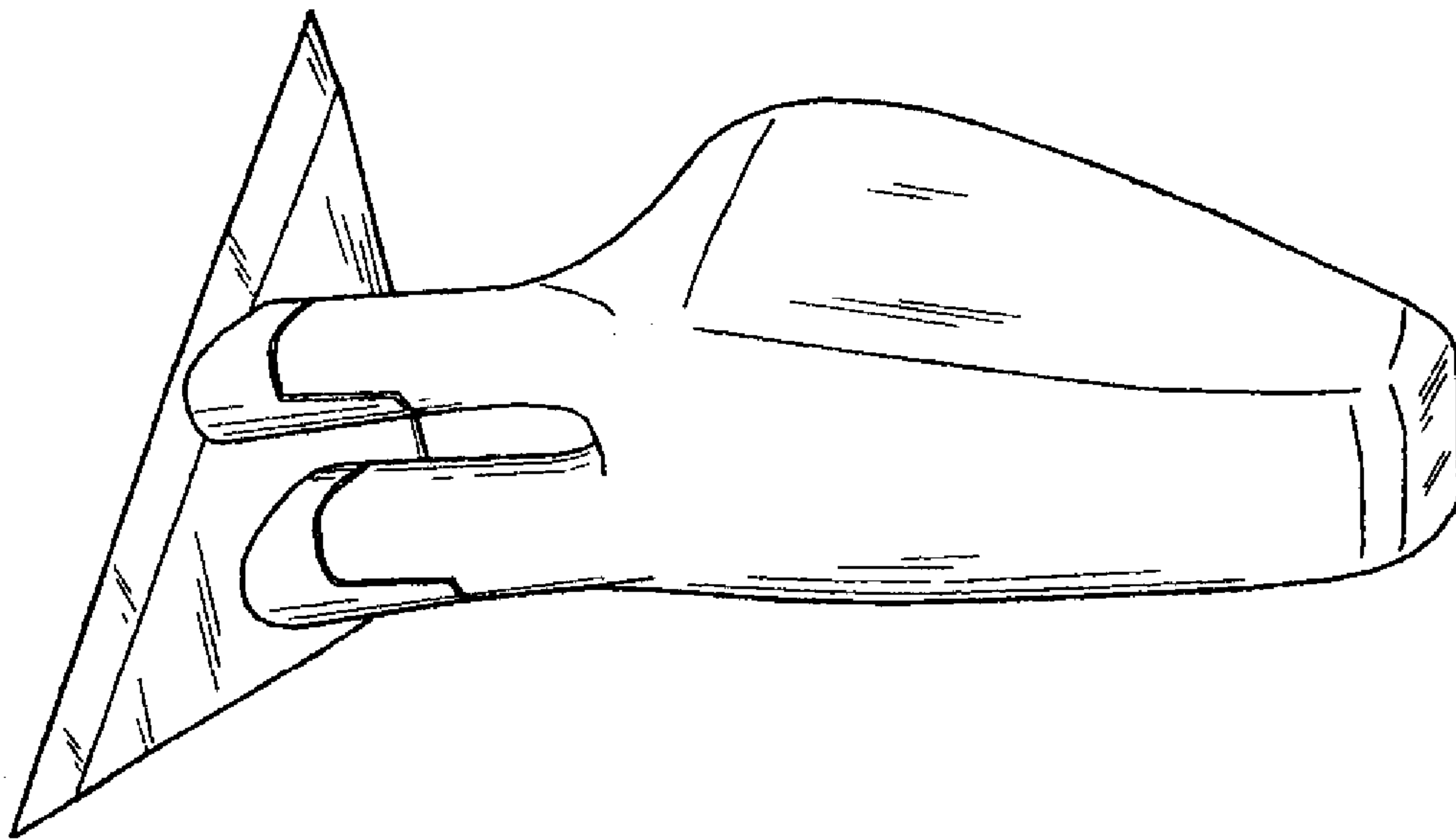


Fig. 2

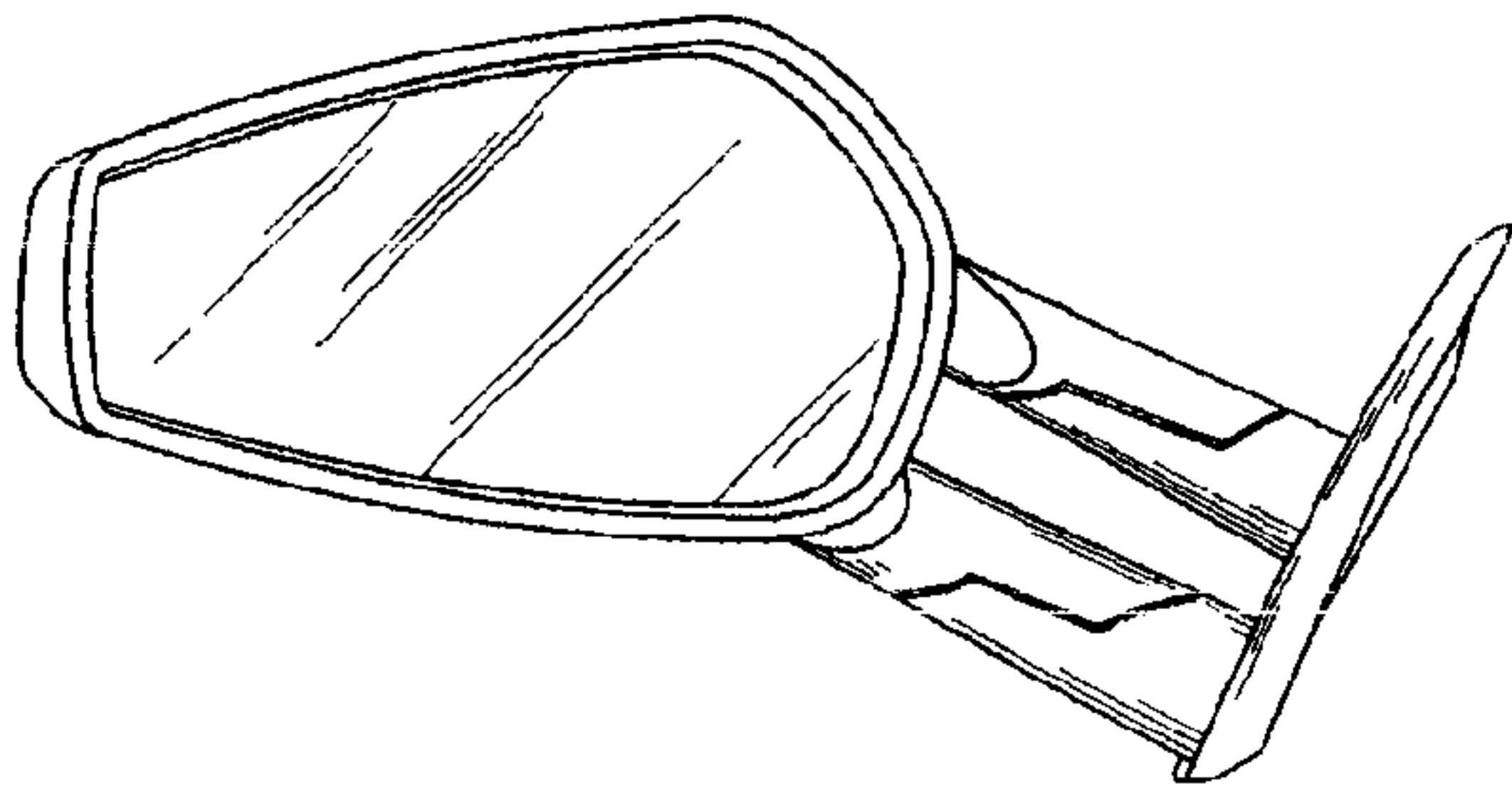


Fig. 5

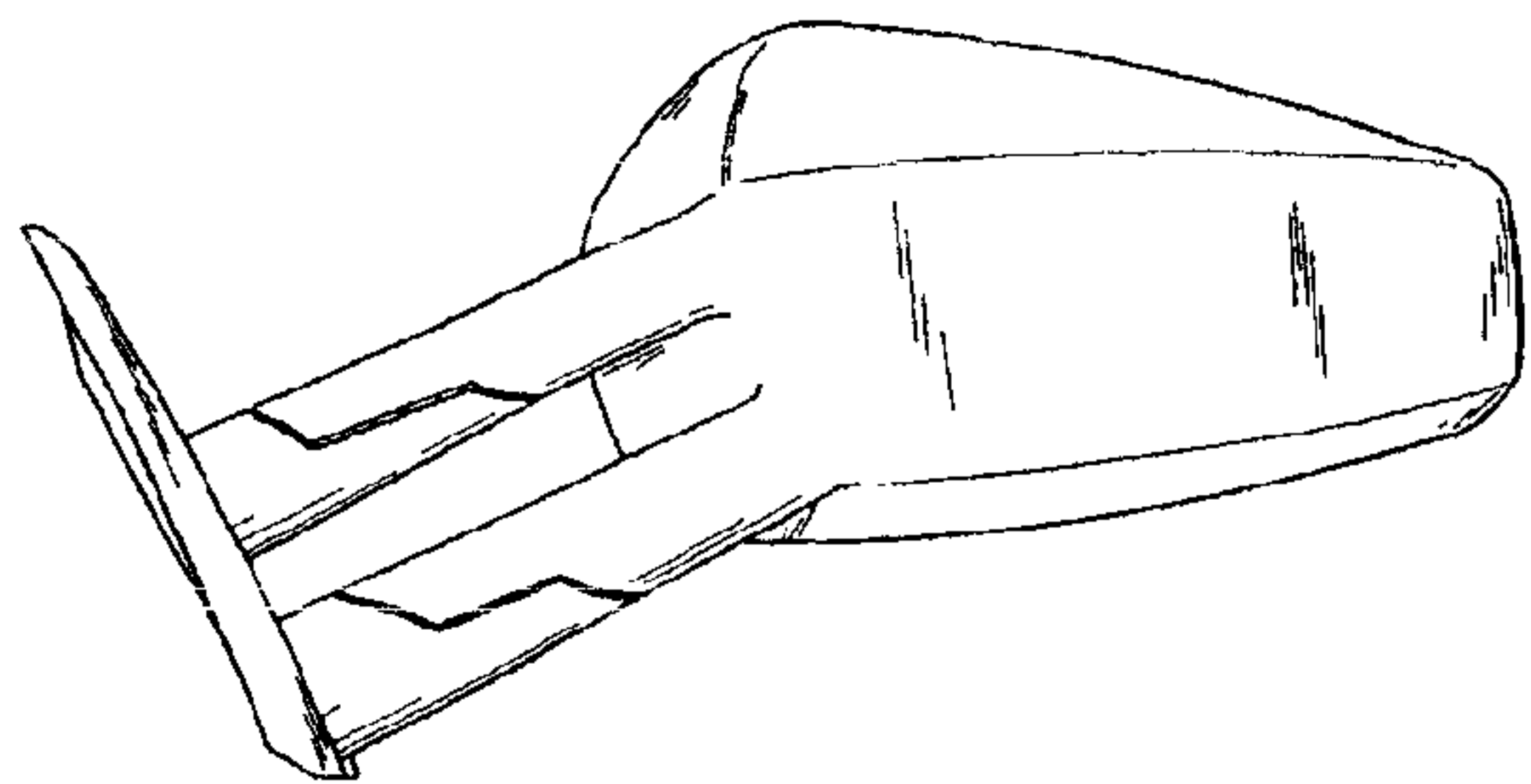


Fig. 6

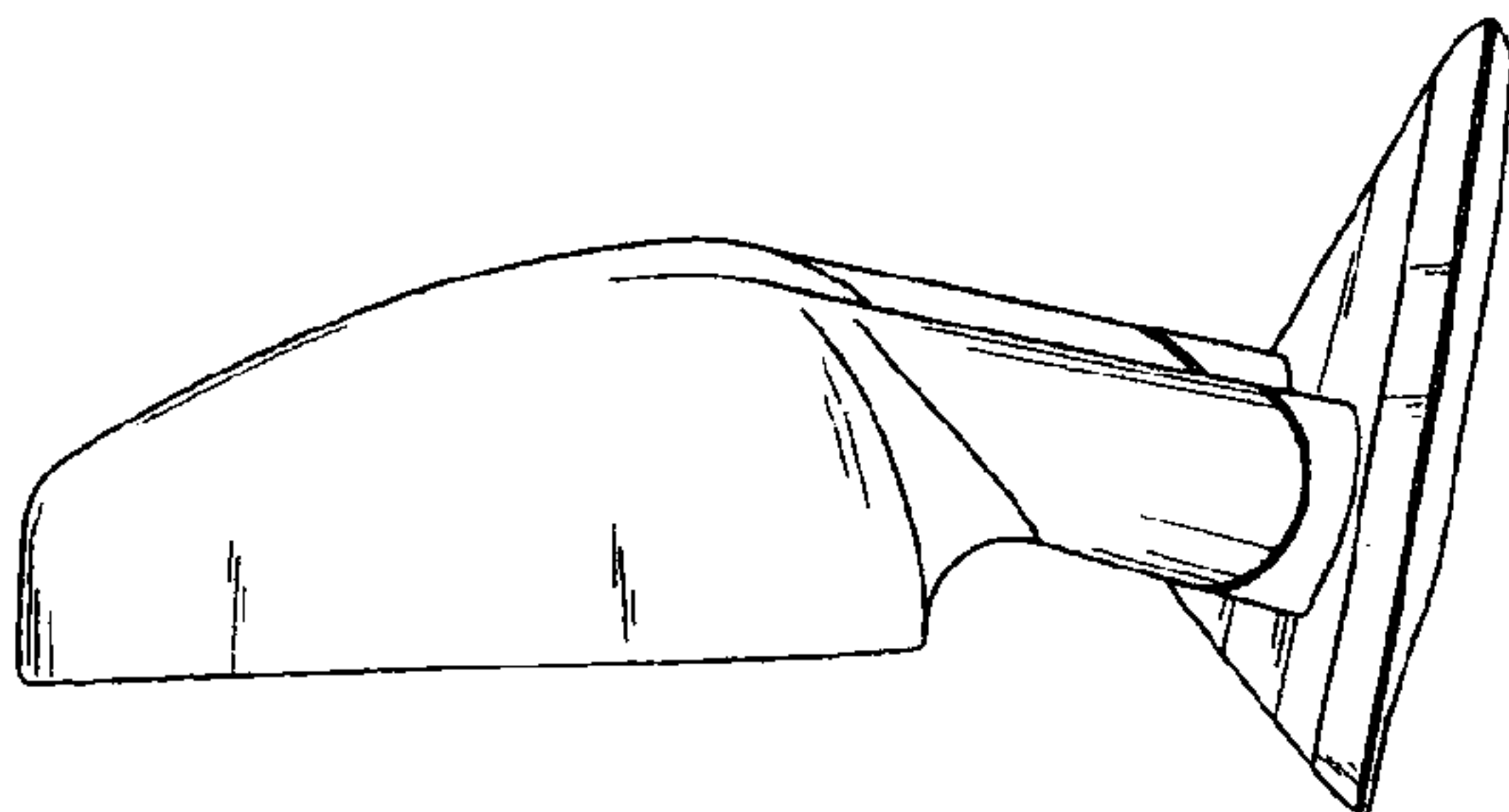


Fig. 7

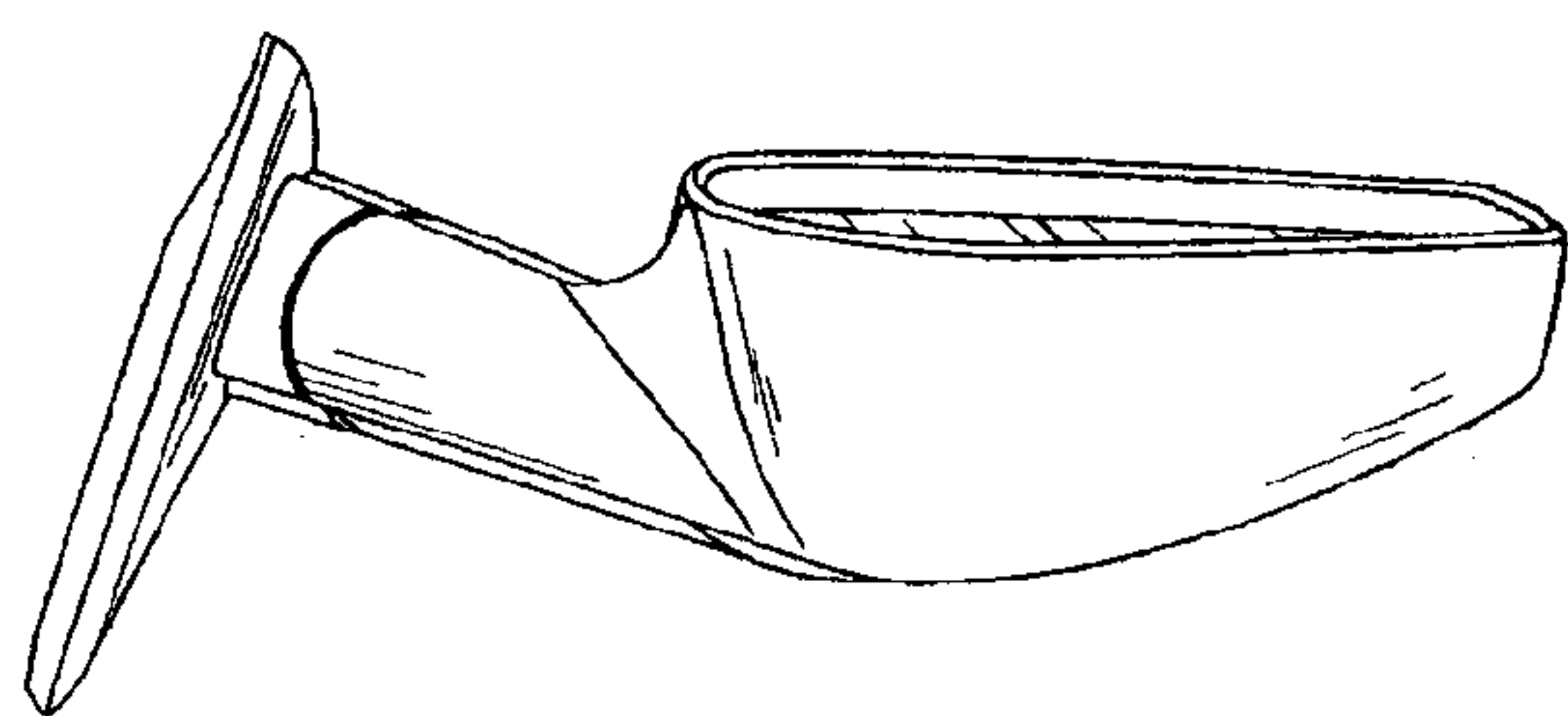


Fig. 3

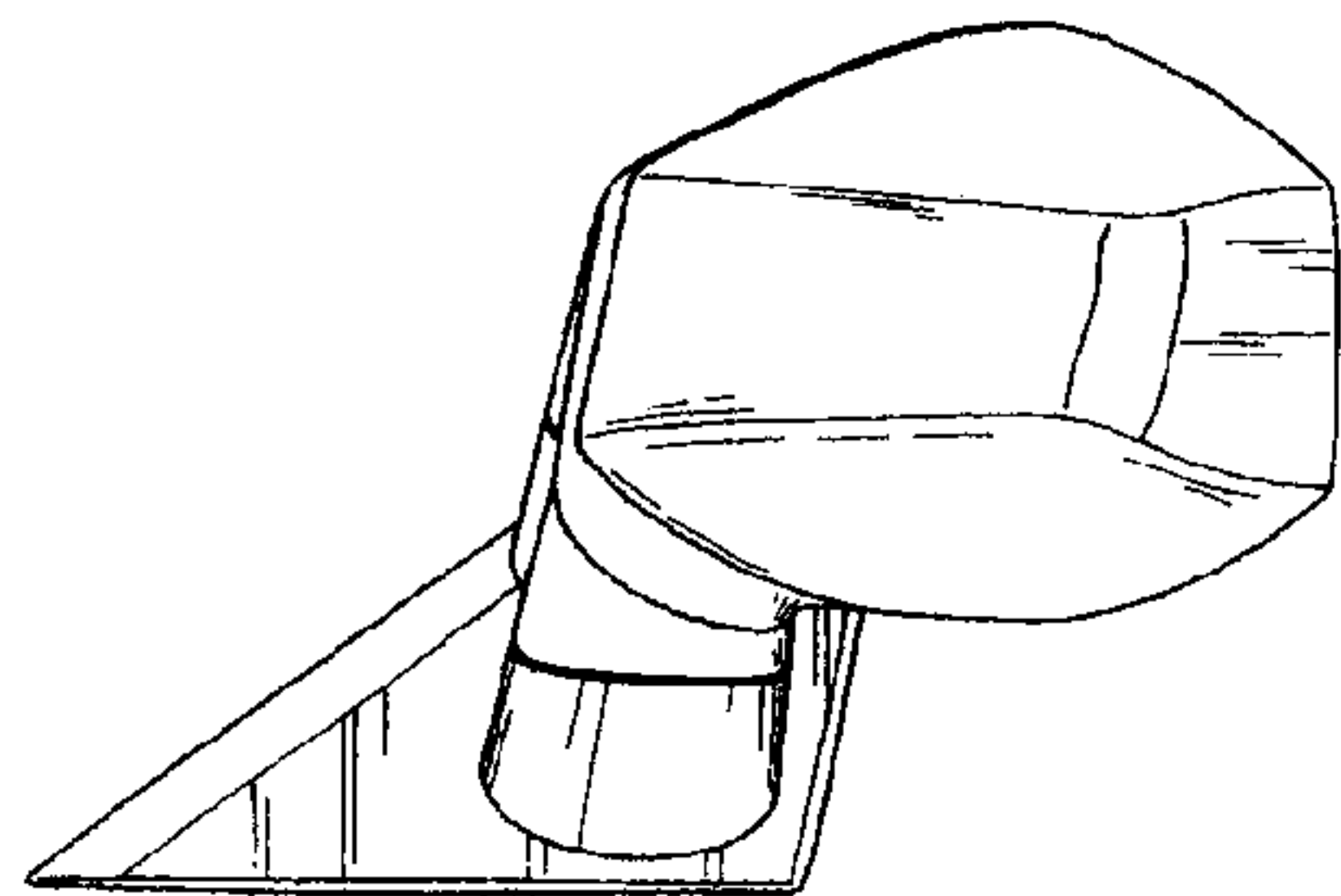


Fig. 4

