

US00D519066S

(12) **United States Design Patent**
Ney et al.

(10) **Patent No.:** **US D519,066 S**
(45) **Date of Patent:** **** Apr. 18, 2006**

(54) **AUTOMOTIVE GRILLE**

(75) Inventors: **Clyde W Ney**, Clarkston, MI (US);
John P Sgalia, Farmington Hills, MI
(US); **Dan M Zimmermann**,
Bloomfield Township, MI (US)

(73) Assignee: **DaimlerChrysler Corporation**, Auburn
Hills, MI (US)

(**) Term: **14 Years**

(21) Appl. No.: **29/223,376**

(22) Filed: **Feb. 10, 2005**

(51) **LOC (8) Cl.** **12-16**

(52) **U.S. Cl.** **D12/163**

(58) **Field of Classification Search** D12/90-92,
D12/86, 163, 171, 169; 180/68.1, 68.6; 296/294
See application file for complete search history.

(56) **References Cited**

U.S. PATENT DOCUMENTS

D391,520 S 3/1998 Laster

D401,186 S 11/1998 Abbott et al.
D425,835 S * 5/2000 Cook et al. D12/163
D454,813 S 3/2002 Boniface et al.
D491,847 S * 6/2004 Velazco D12/163
D497,572 S 10/2004 Widmann et al.
D500,460 S * 1/2005 Allen et al. D12/91
D506,955 S * 7/2005 Allen et al. D12/163

* cited by examiner

Primary Examiner—Melody N. Brown

(74) *Attorney, Agent, or Firm*—Ralph E. Smith

(57) **CLAIM**

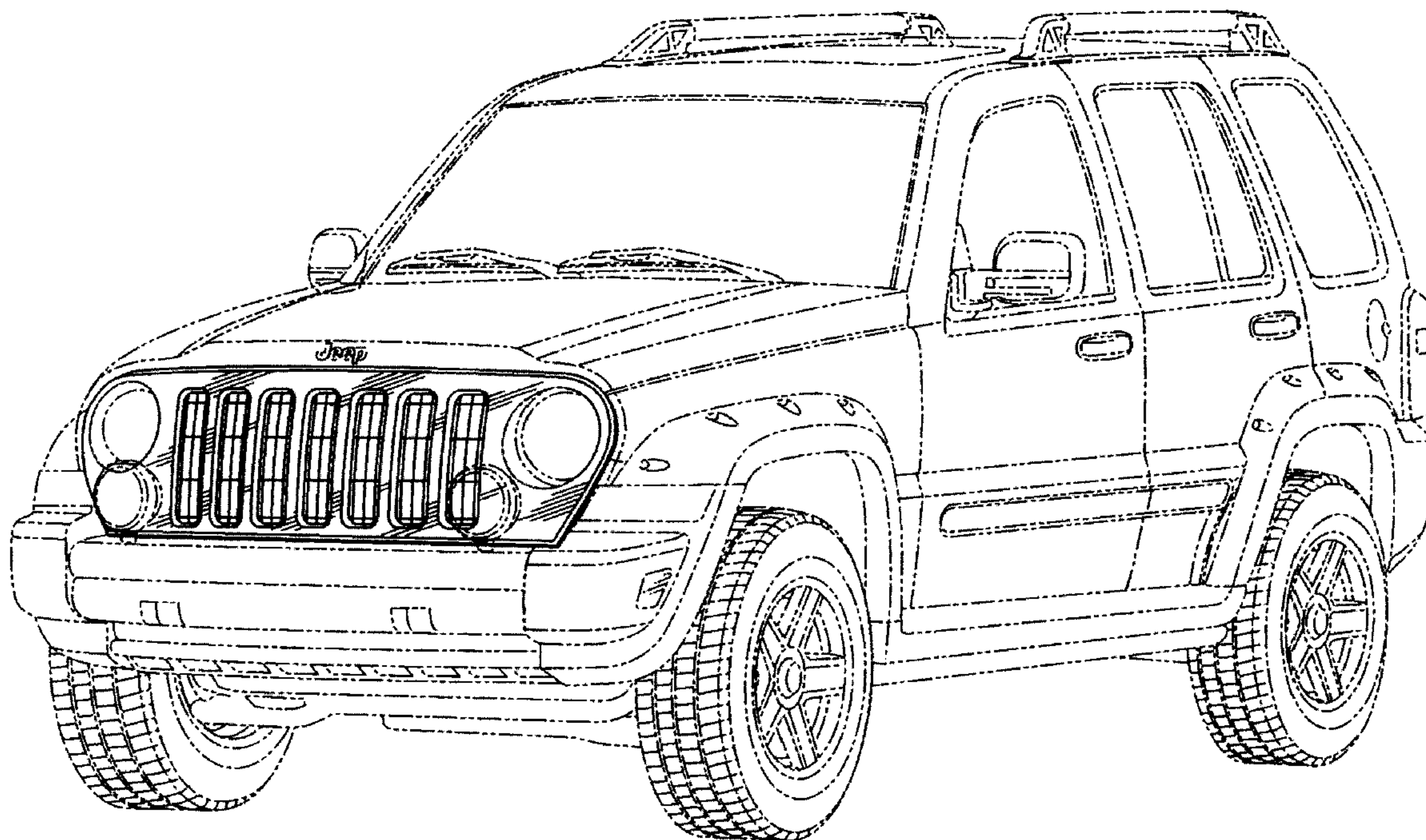
The ornamental design for an automotive grille, as shown
and described.

DESCRIPTION

FIG. 1 is a front perspective view of an automobile grille
showing our new design; and,
FIG. 2 is a front view thereof.

It will be understood that the dashed lines presented in the
drawings are for illustration only, and do not form a part of
the claimed design.

1 Claim, 2 Drawing Sheets



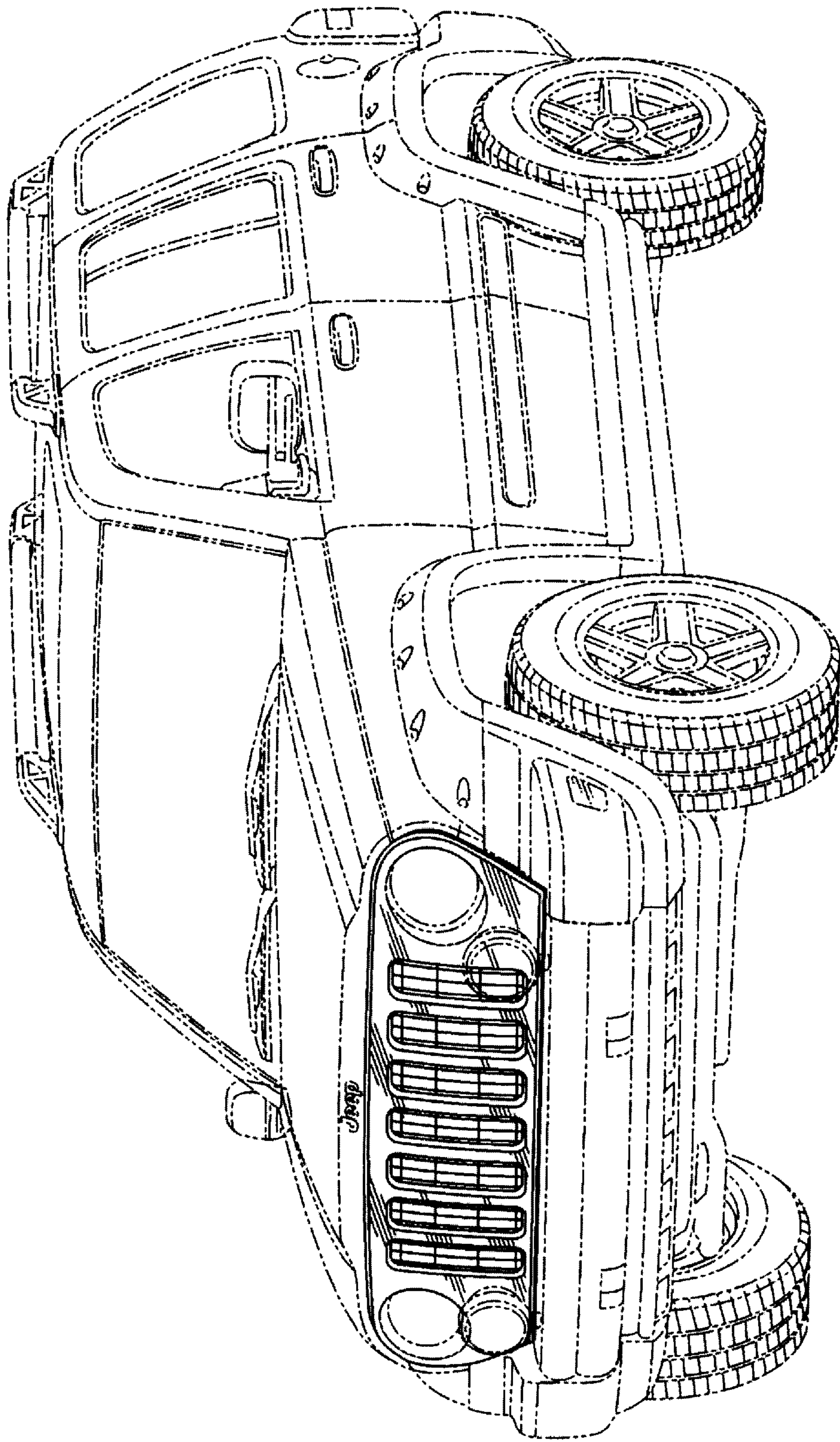


Fig. 1

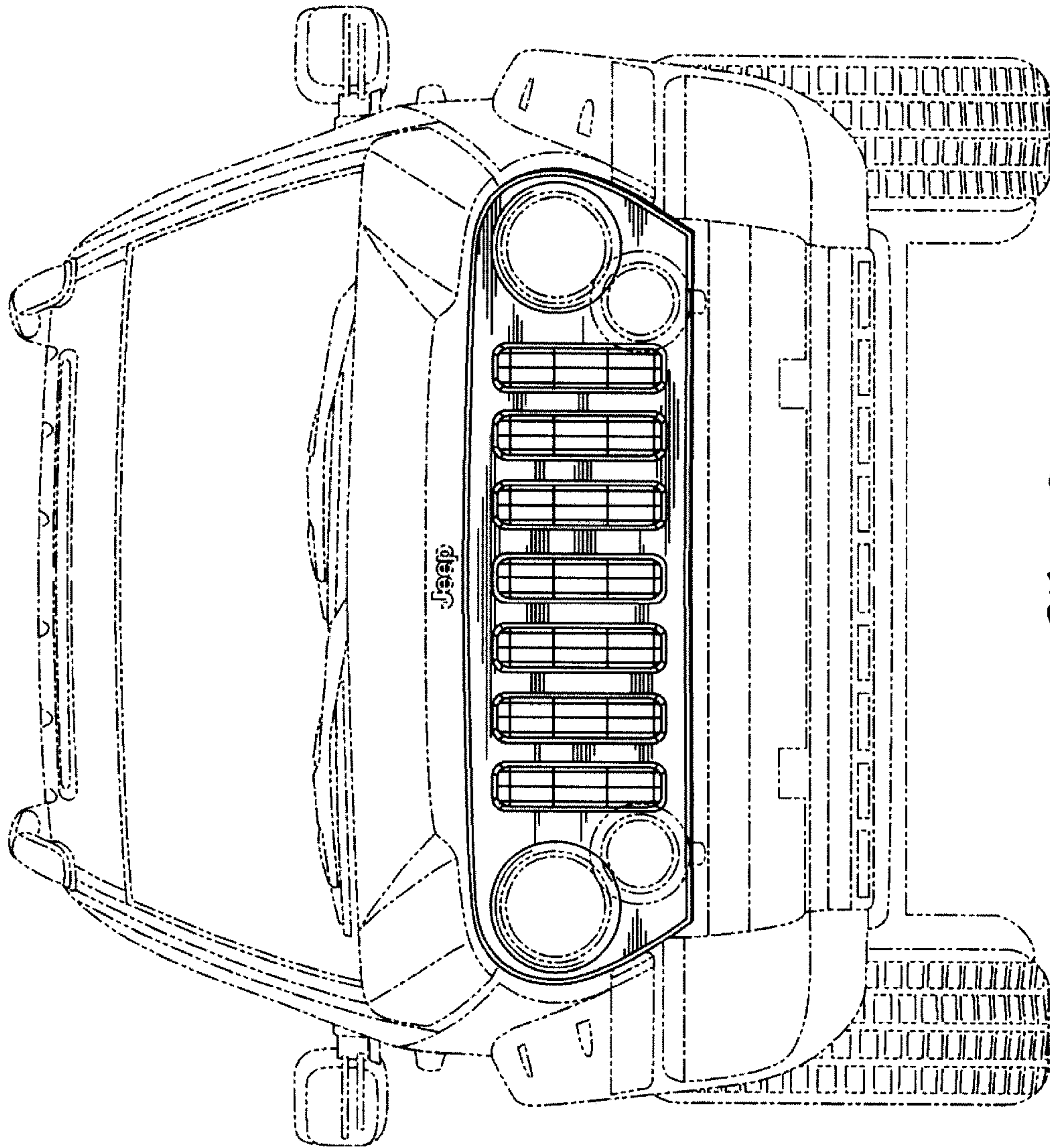


Fig. 2