



US00D519065S

(12) **United States Design Patent**
Tambornino

(10) **Patent No.:** **US D519,065 S**

(45) **Date of Patent:** **** Apr. 18, 2006**

(54) **HITCH**

(75) Inventor: **Curt Tambornino**, Fall Creek, WI (US)

(73) Assignee: **Curt Manufacturing, Inc.**, Eau Claire, WI (US)

(**) Term: **14 Years**

(21) Appl. No.: **29/231,099**

(22) Filed: **Jun. 1, 2005**

Related U.S. Application Data

(62) Division of application No. 11/126,722, filed on May 11, 2005.

(51) **LOC (8) Cl.** **12-16**

(52) **U.S. Cl.** **D12/162**

(58) **Field of Classification Search** D12/162,
D12/400; 280/468-470, 292, 483-486, 490,
280/455.1, 415.1-417.1, 511-514, 504-507;
D8/381; 224/532-535, 521, 924

See application file for complete search history.

(56) **References Cited**

U.S. PATENT DOCUMENTS

5,503,422	A	*	4/1996	Austin	
5,549,316	A	*	8/1996	Jones	
5,735,539	A	*	4/1998	Kravitz	
5,884,931	A	*	3/1999	McCoy	
6,203,048	B1	*	3/2001	Adair	
6,234,510	B1	*	5/2001	Hammons	280/477
6,481,258	B1	*	11/2002	Belinky	
D466,844	S	*	12/2002	Billings	D12/162
D469,723	S	*	2/2003	McCoy et al.	D12/162
6,536,794	B1	*	3/2003	Hancock et al.	
6,581,953	B1	*	6/2003	Jerry	280/483
6,709,002	B1	*	3/2004	Tambornino	
6,746,038	B1	*	6/2004	McCoy et al.	
2002/0140205	A1	*	10/2002	Adams	

* cited by examiner

Primary Examiner—Stacia Cadmus

(74) *Attorney, Agent, or Firm*—Shewchik IP Services, LLC; Jeffrey D. Shechuk

(57) **CLAIM**

The ornamental design for a hitch, as shown and described.

DESCRIPTION

FIG. 1 is a perspective view from above showing a first embodiment of a hitch in accordance with the present invention.

FIG. 2 is a perspective view from below showing the hitch of FIG. 1.

FIG. 3 is top plan view of the hitch of FIGS. 1-2.

FIG. 4 is a side elevational view of the hitch of FIGS. 1-3. The opposite side elevational view is a mirror image of FIG. 4.

FIG. 5 is a bottom plan view of the hitch of FIGS. 1-4.

FIG. 6 is a rear view of the hitch of FIGS. 1-5.

FIG. 7 is a front view of the hitch of FIGS. 1-6.

FIG. 8 is a cross-sectional view taken along lines 8-8 in FIGS. 3 and 5.

FIG. 9 is a cross-sectional view taken along lines 9-9 in FIG. 8.

FIG. 10 is a cross-sectional view taken along lines 10-10 in FIG. 8.

FIG. 11 is a cross-sectional view taken along lines 11-11 in FIG. 8.

FIG. 12 is a cross-sectional view taken along lines 12-12 in FIG. 8.

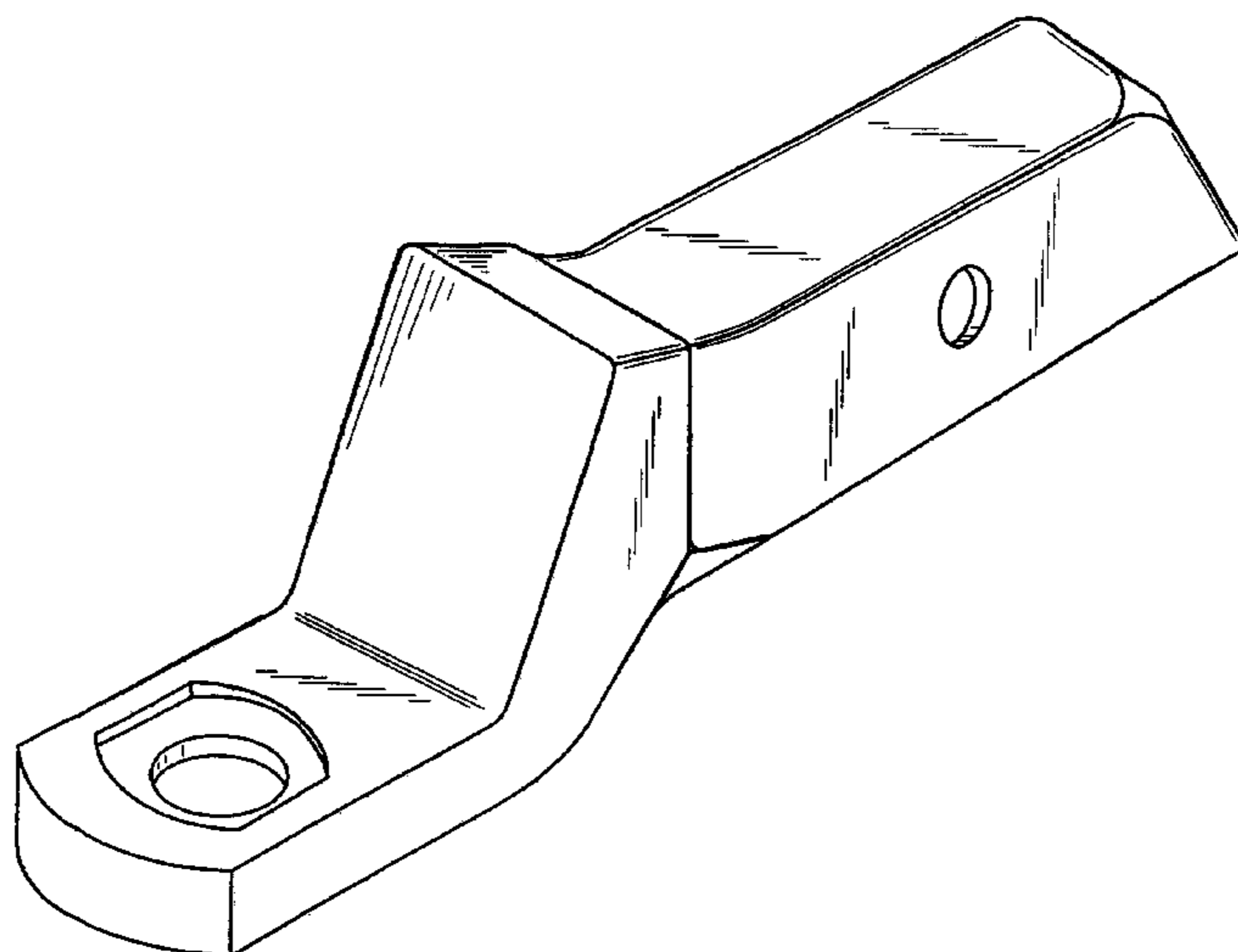
FIG. 13 is a cross-sectional view taken along lines 13-13 in FIG. 8.

FIG. 14 is a top plan view of a second embodiment of a hitch in accordance with the present invention; and,

FIG. 15 is a cross-sectional view taken along lines 15-15 in FIG. 14.

The characteristic feature of the ornament design resides in its overall appearance. The broken line showing of environment in FIGS. 14 and 15 is for illustrative purposes only and forms no part of the claimed design.

1 Claim, 5 Drawing Sheets



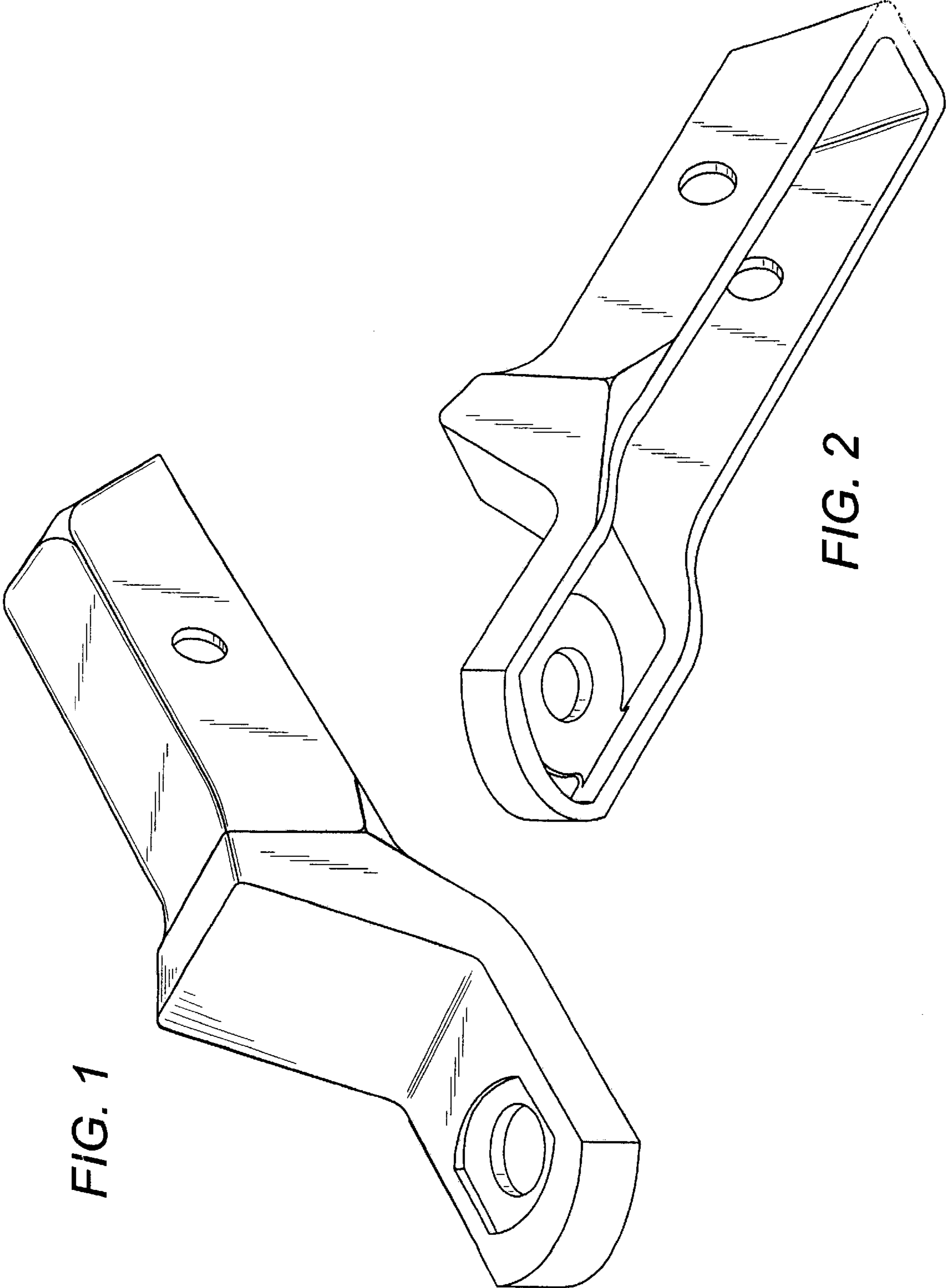


FIG. 1

FIG. 2

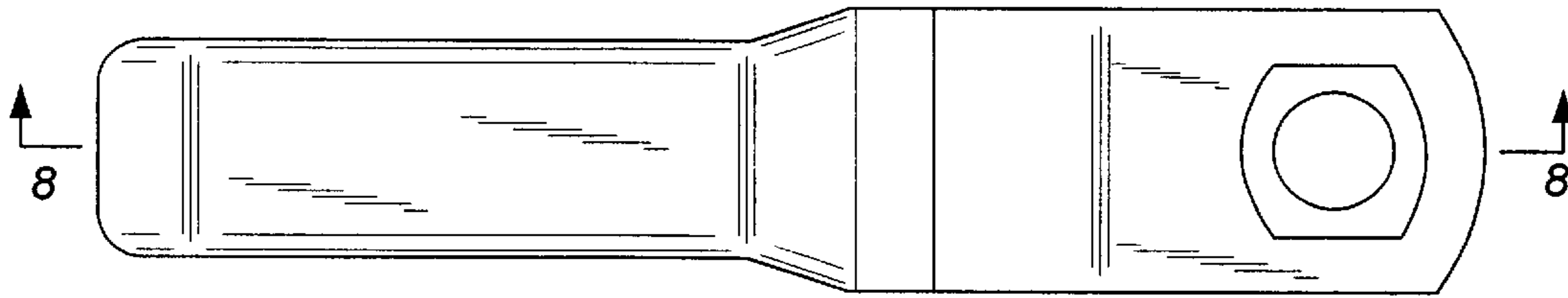


FIG. 3

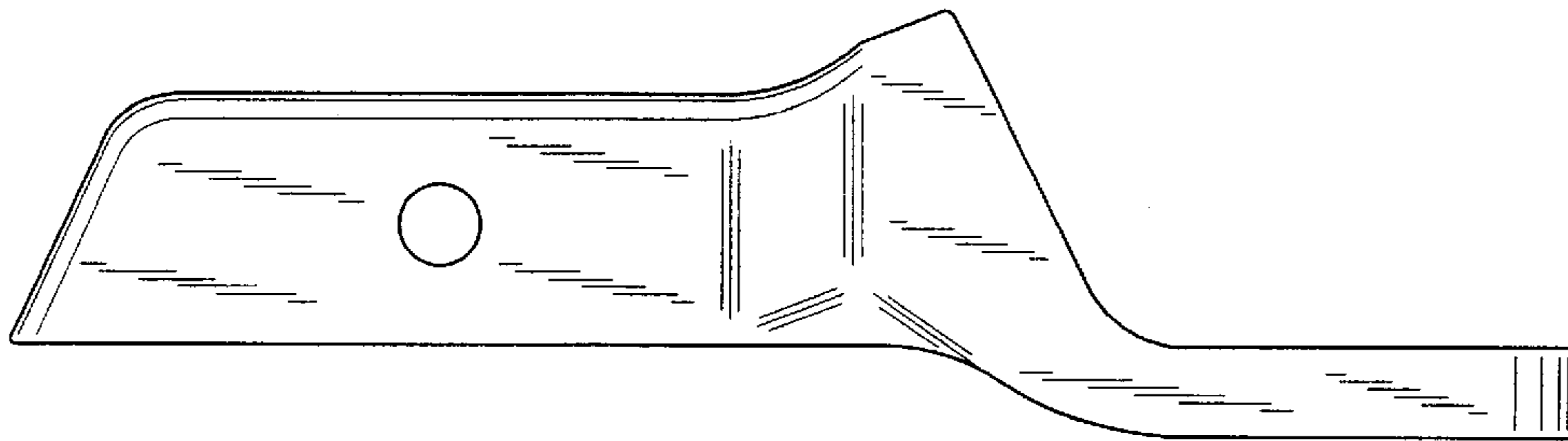


FIG. 4

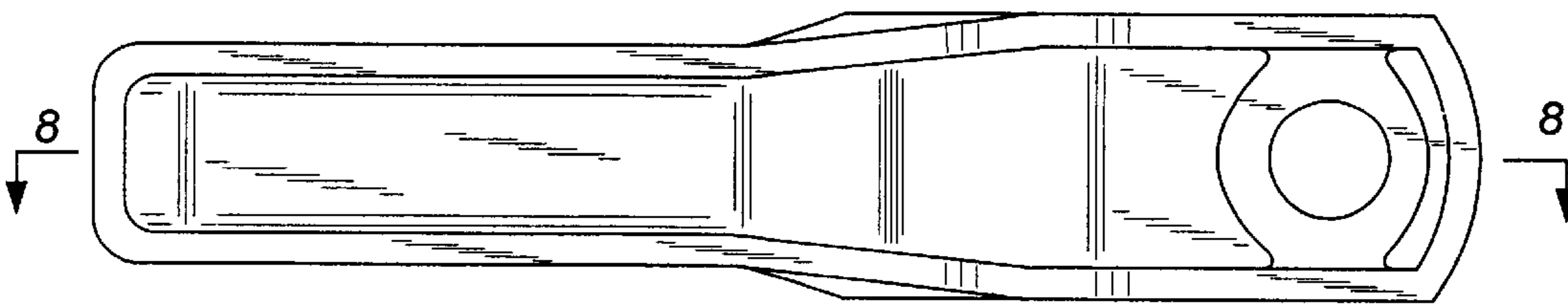


FIG. 5

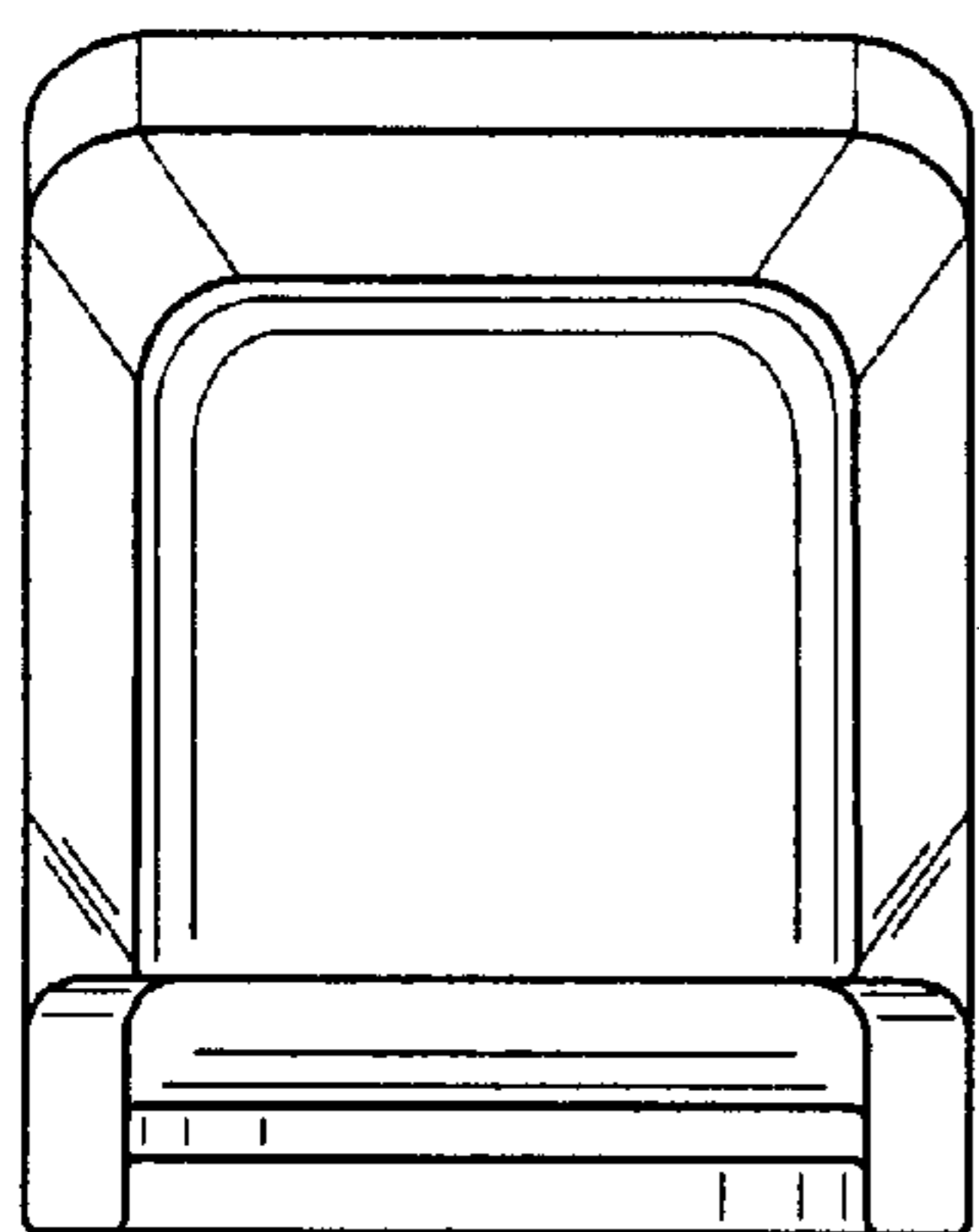


FIG. 6

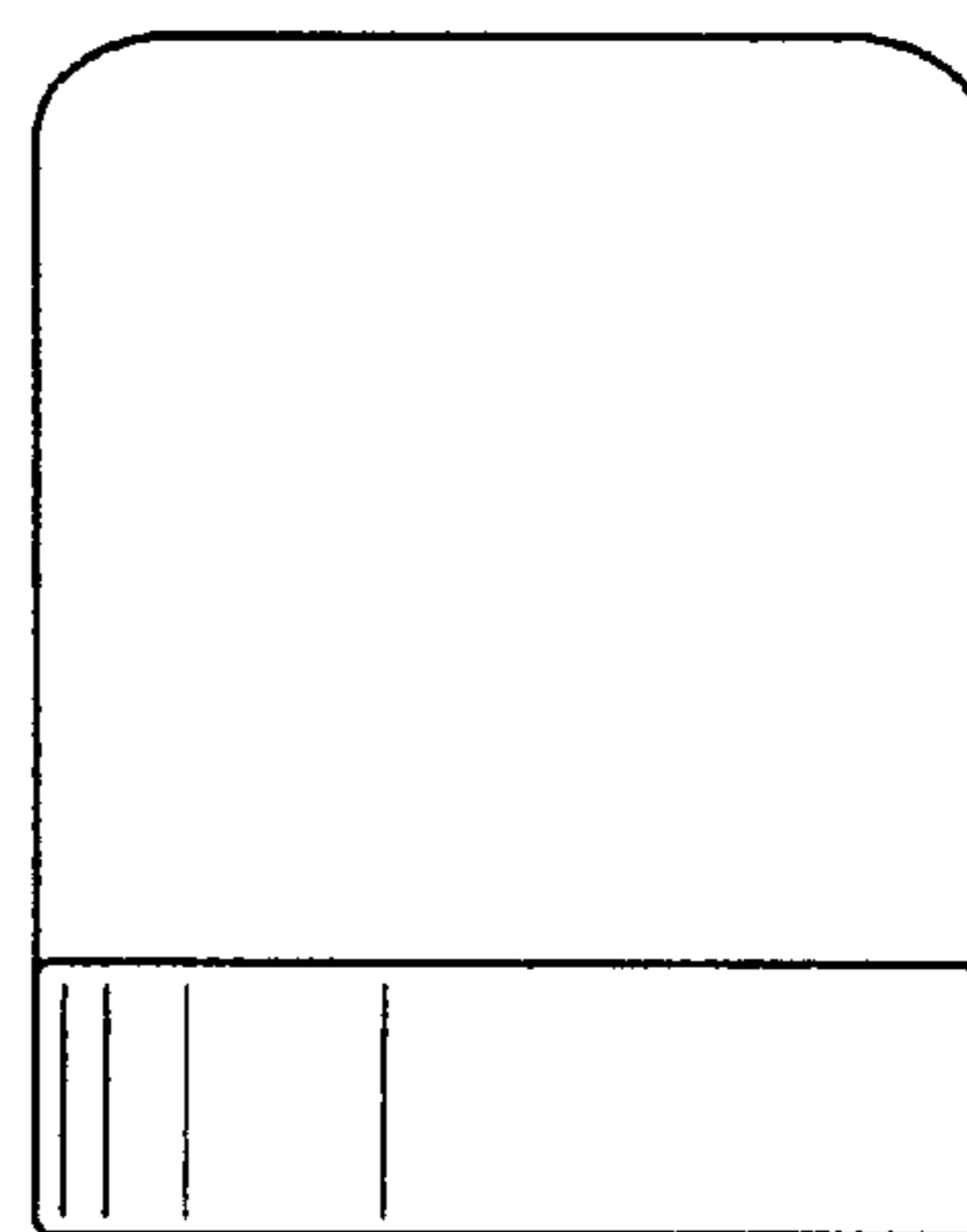


FIG. 7

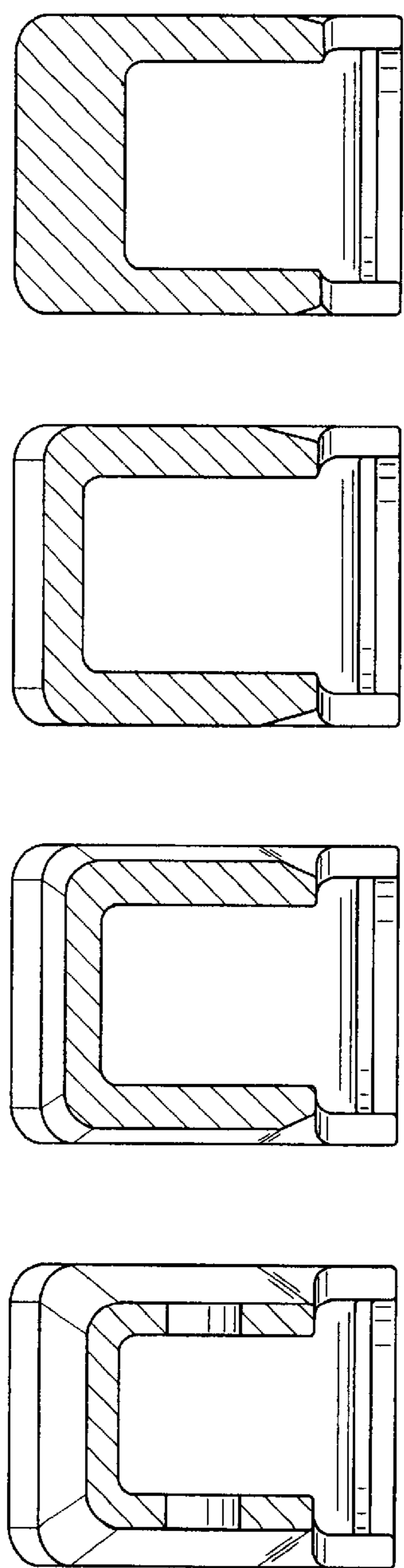


FIG. 12

FIG. 11

FIG. 10

FIG. 9

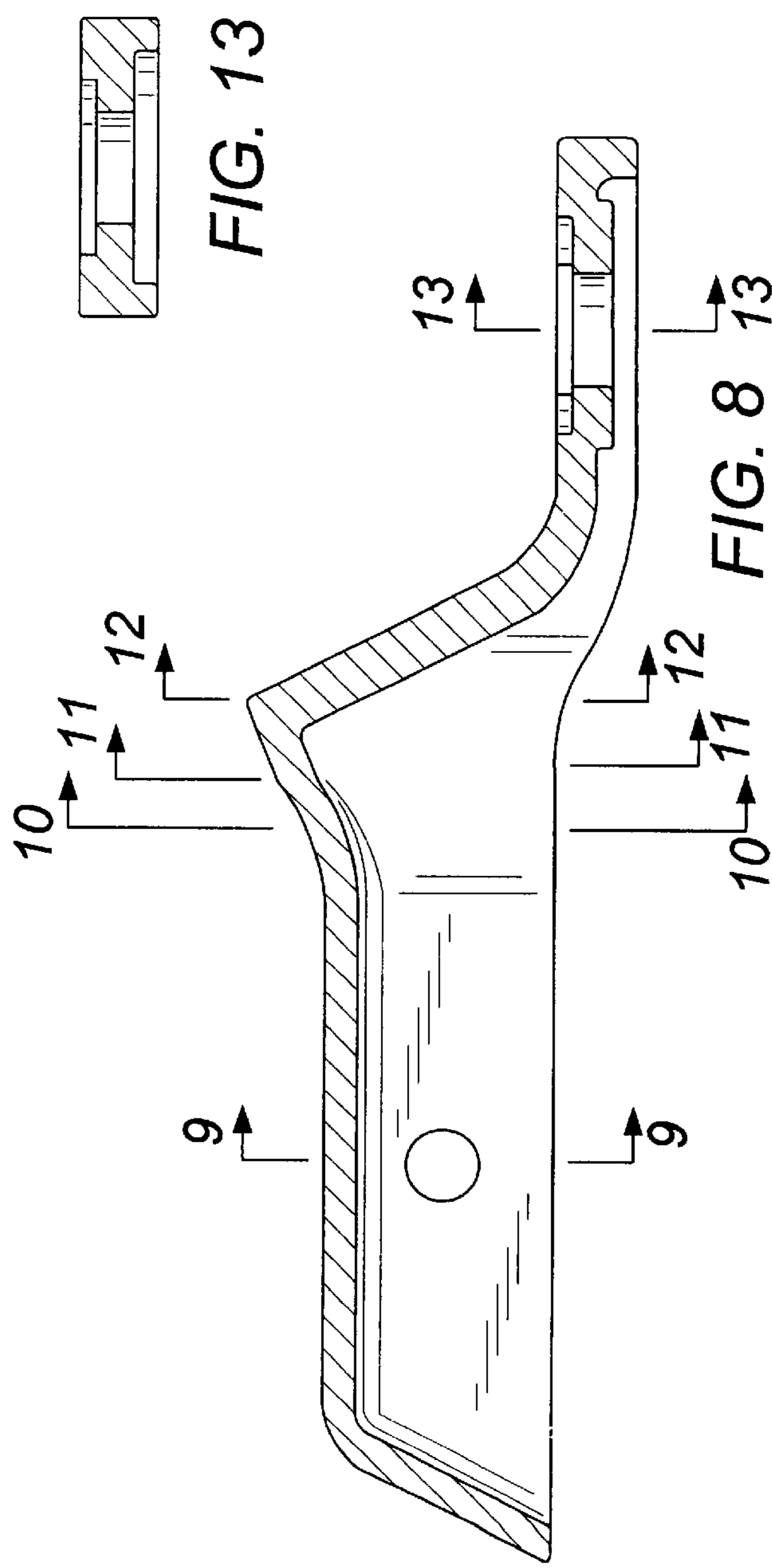


FIG. 13

FIG. 8

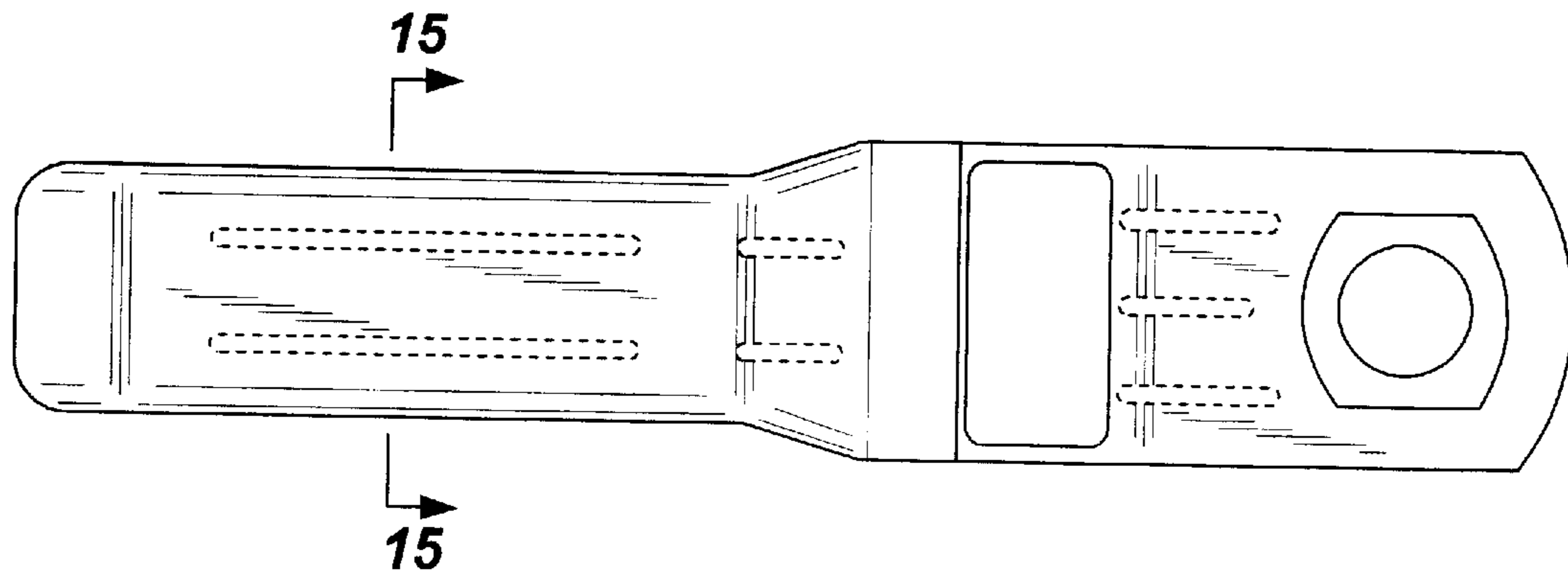


FIG. 14

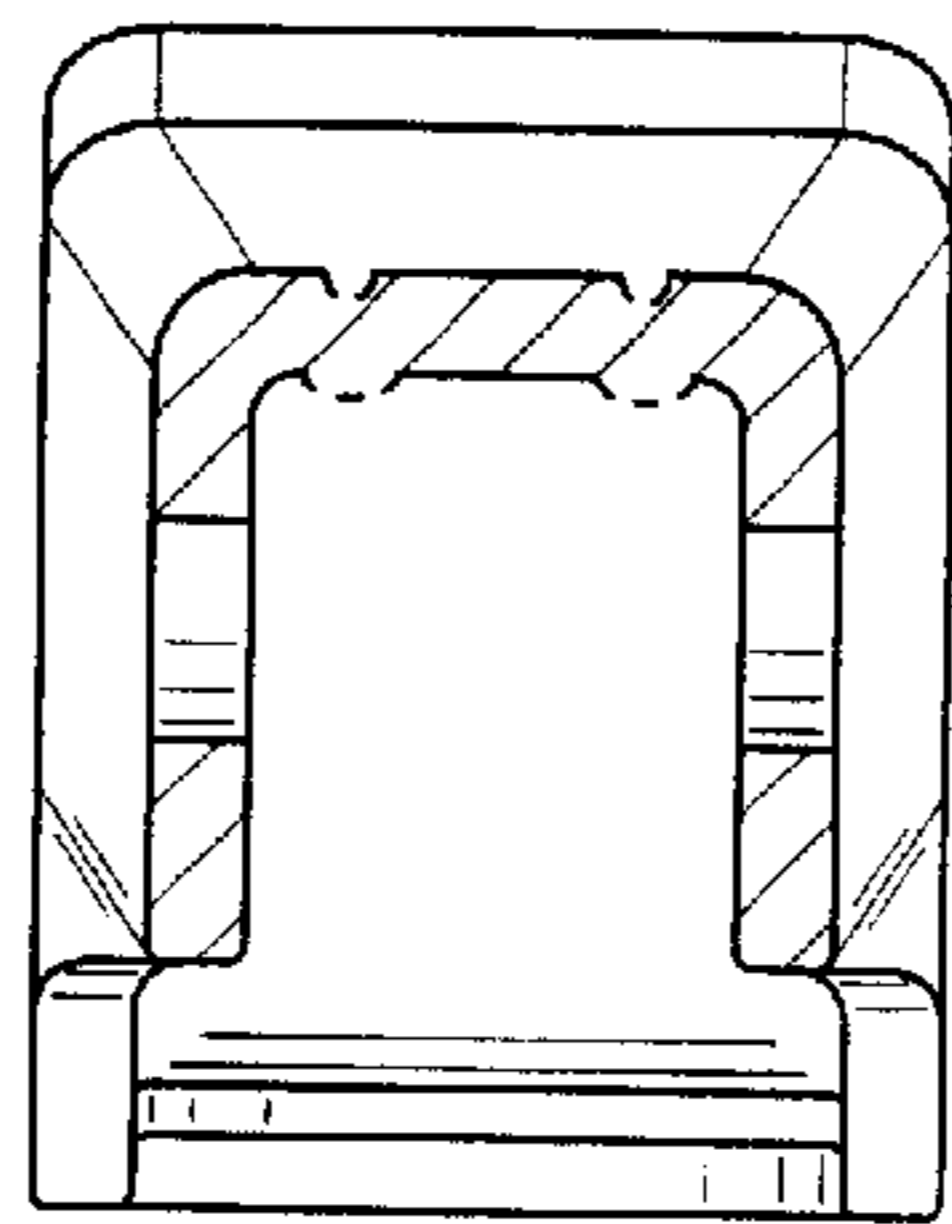


FIG. 15