



US00D519064S

(12) **United States Design Patent**  
**Schrand et al.**

(10) **Patent No.:** **US D519,064 S**  
(45) **Date of Patent:** **\*\* Apr. 18, 2006**

(54) **STAIR CHAIR**

(75) Inventors: **Steven B. Schrand**, Cincinnati, OH (US); **Donald Charles Bierman**, Williamsburg, OH (US); **Timothy J. Dietz**, Springboro, OH (US); **Charles Scott Chambliss**, New Vienna, OH (US)

(73) Assignee: **Ferno-Washington, Inc.**, Wilmington, OH (US)

(\*\*) Term: **14 Years**

(21) Appl. No.: **29/215,542**

(22) Filed: **Oct. 20, 2004**

(51) **LOC (8) Cl.** ..... **12-12**

(52) **U.S. Cl.** ..... **D12/130**

(58) **Field of Classification Search** ..... D12/128-133;  
5/81.1, 83.1, 86.1; 297/5, 466; 428/67, 68  
See application file for complete search history.

(56) **References Cited**

**U.S. PATENT DOCUMENTS**

2,699,557	A	1/1955	Gravatt	
3,122,758	A	3/1964	Ferneau	
5,224,717	A	* 7/1993	Lowen	D12/130
5,224,721	A	* 7/1993	Santmann	D12/130
5,338,048	A	8/1994	Medina	
D369,578	S	* 5/1996	Andolfi	D12/130
D409,120	S	5/1999	Aughpin	
6,435,538	B1	8/2002	Ellis et al.	
6,561,524	B1	5/2003	Medina	
6,644,675	B1	11/2003	Ellis et al.	

6,648,343 B1 11/2003 Way et al.  
2003/0141677 A1 7/2003 Medina

\* cited by examiner

*Primary Examiner*—Marcus A. Jackson  
(74) *Attorney, Agent, or Firm*—Dinsmore & Shohl LLP

(57) **CLAIM**

The ornamental design for a stair chair, as shown and described.

**DESCRIPTION**

FIG. 1 is a front side perspective view of a stair chair design unfolded and tracks deployed;  
FIG. 2 is a front side perspective view of a stair chair design unfolded and tracks retracted;  
FIG. 3 is a close-up front side perspective view thereof;  
FIG. 4 is a back side perspective view of a stair chair design unfolded and tracks deployed;  
FIG. 5 is a close-up back side perspective view thereof;  
FIG. 6 is a back side perspective view of a stair chair design unfolded and tracks retracted;  
FIG. 7 is a top front view of a stair chair design unfolded;  
FIG. 8 is a top back view of a stair chair design unfolded and tracks deployed;  
FIG. 9 is a back view thereof;  
FIG. 10 is a back view of a stair chair design unfolded and tracks retracted;  
FIG. 11 is a side view thereof;  
FIG. 12 is a side view of a stair chair design unfolded and tracks deployed;  
FIG. 13 is a front view thereof;  
FIG. 14 is a bottom view of a stair chair design unfolded; and,  
FIG. 15 is a bottom view of a stair chair design completely folded.

**1 Claim, 15 Drawing Sheets**

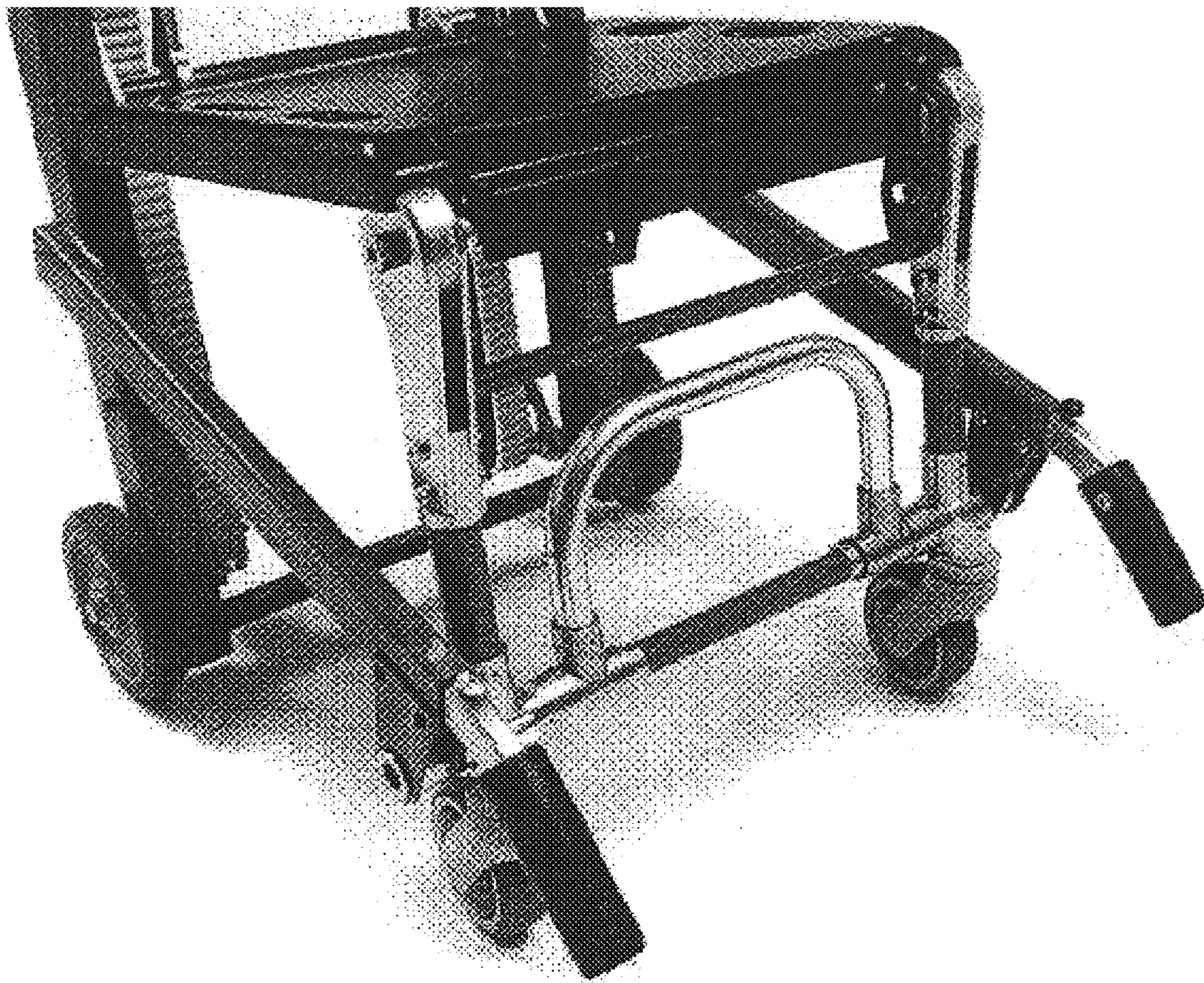




**FIG. 1**



**FIG. 2**



**FIG. 3**



**FIG. 4**

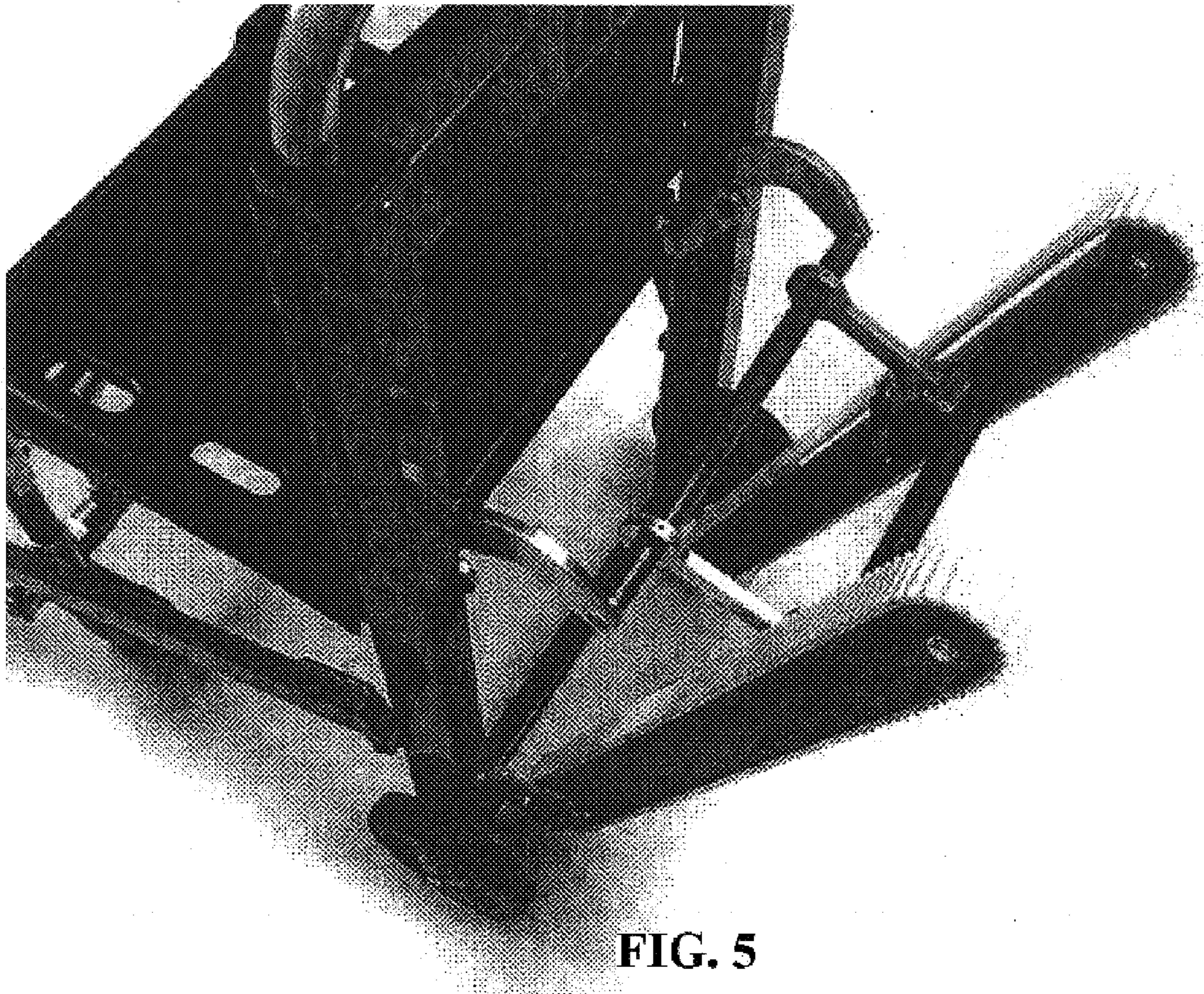
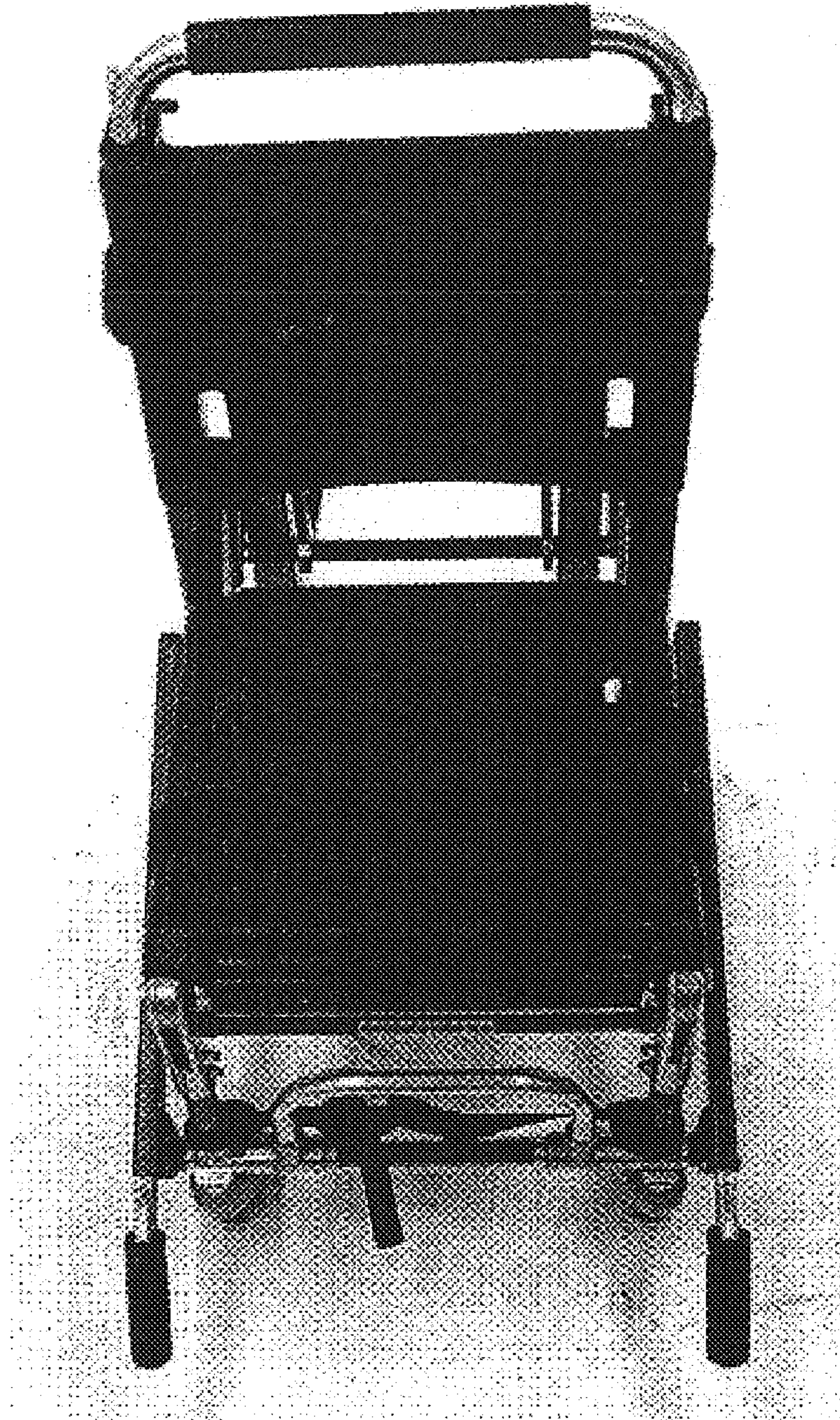


FIG. 5

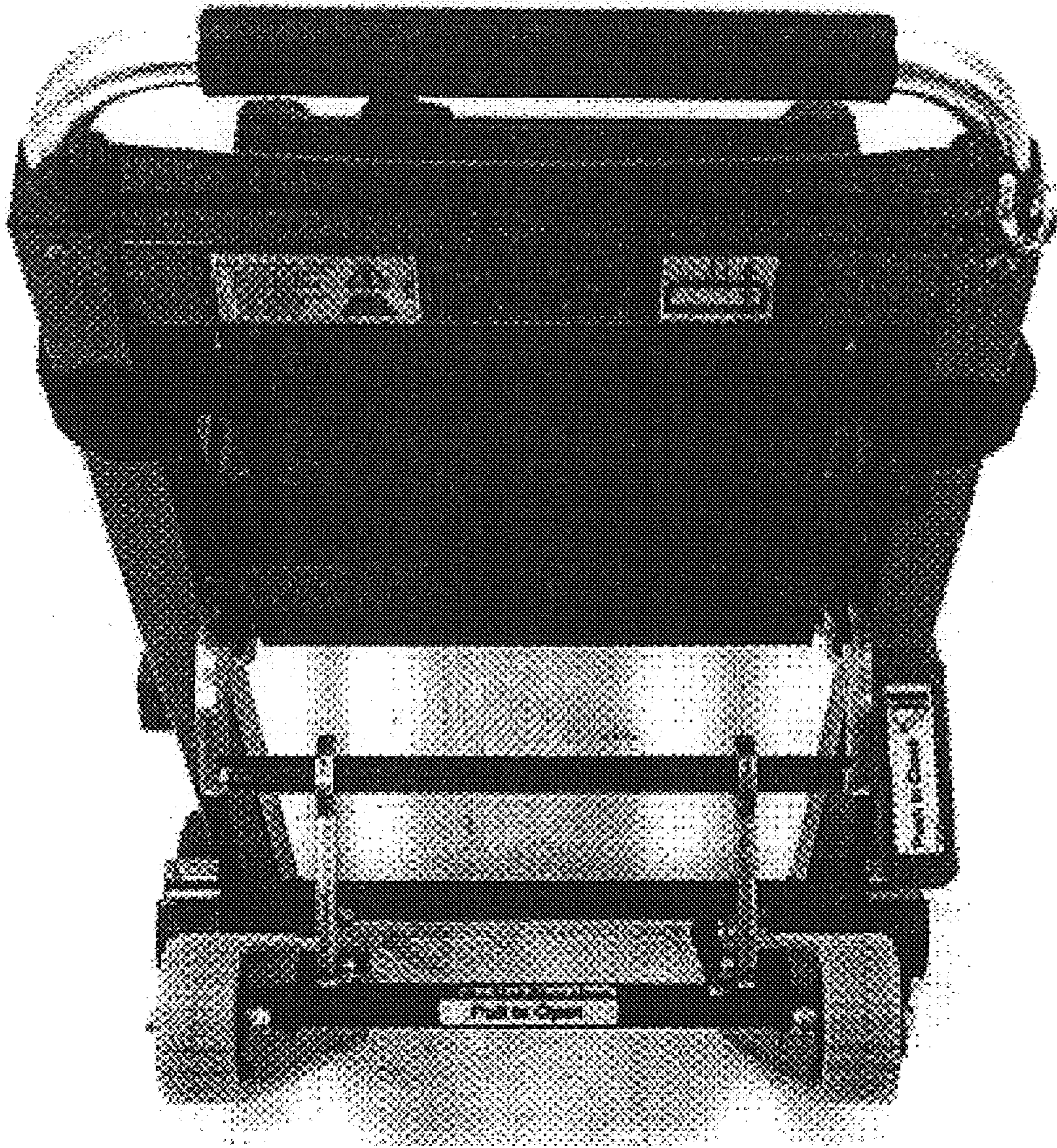


**FIG. 6**

**FIG. 7**

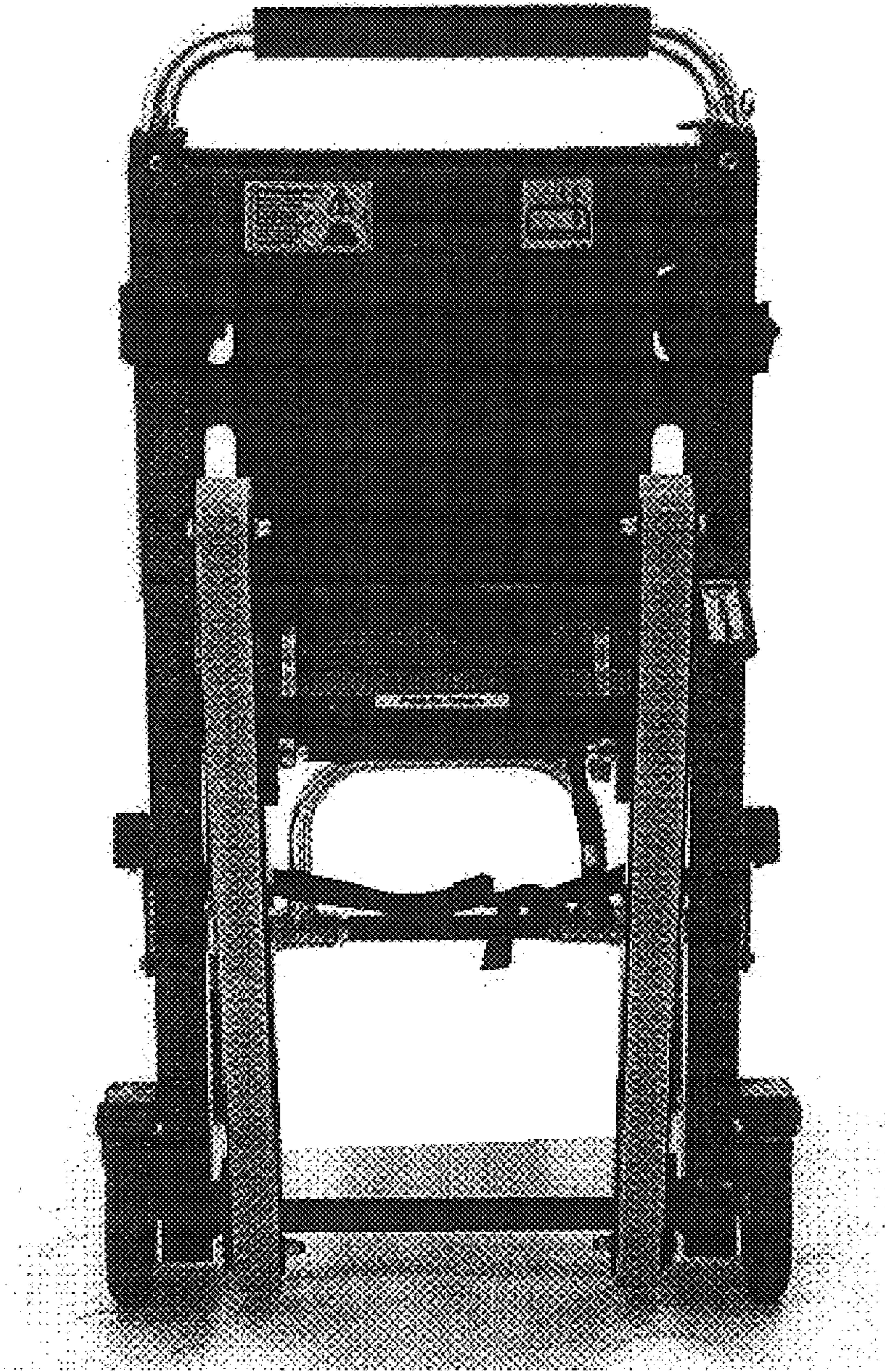




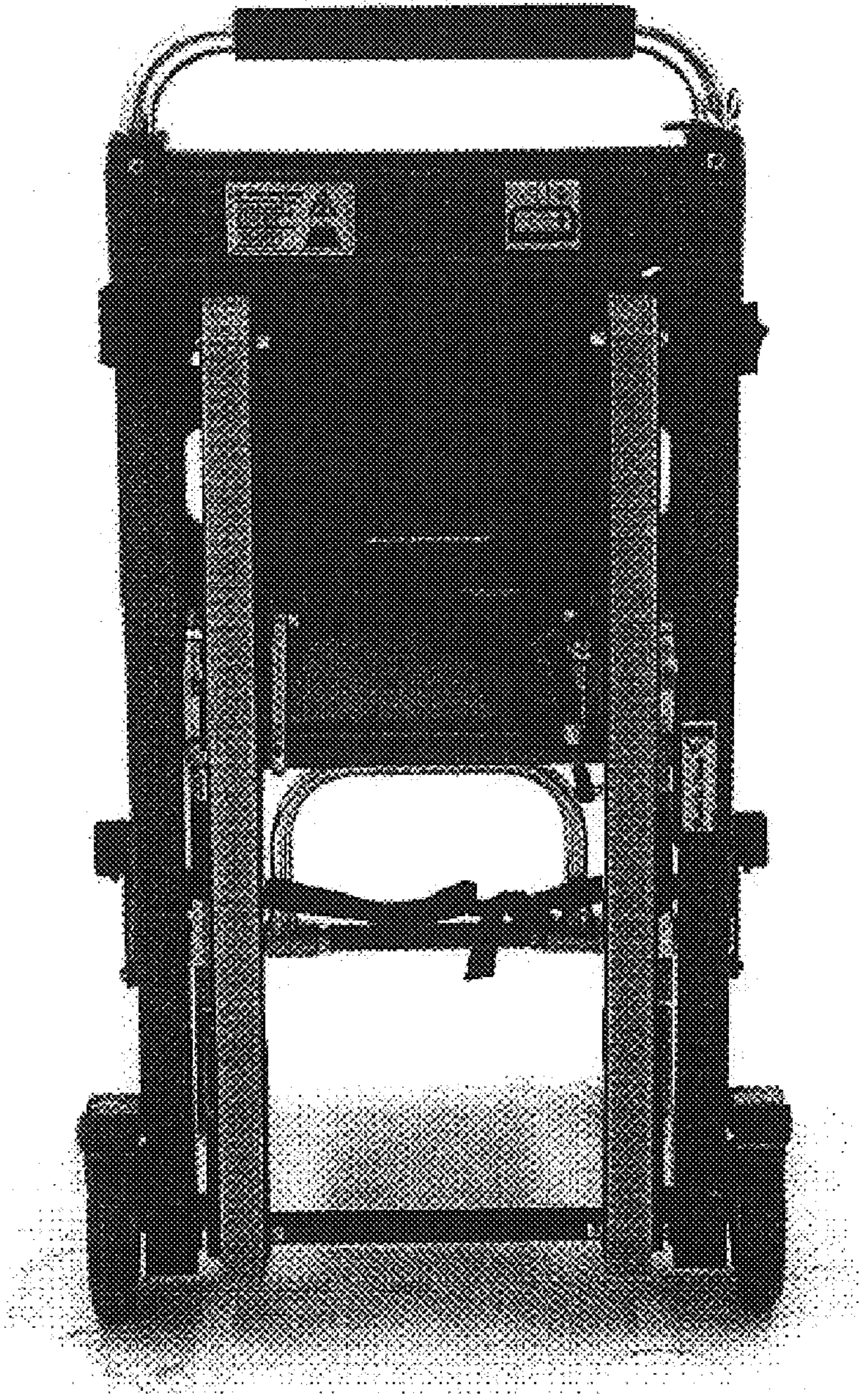


**FIG. 8**

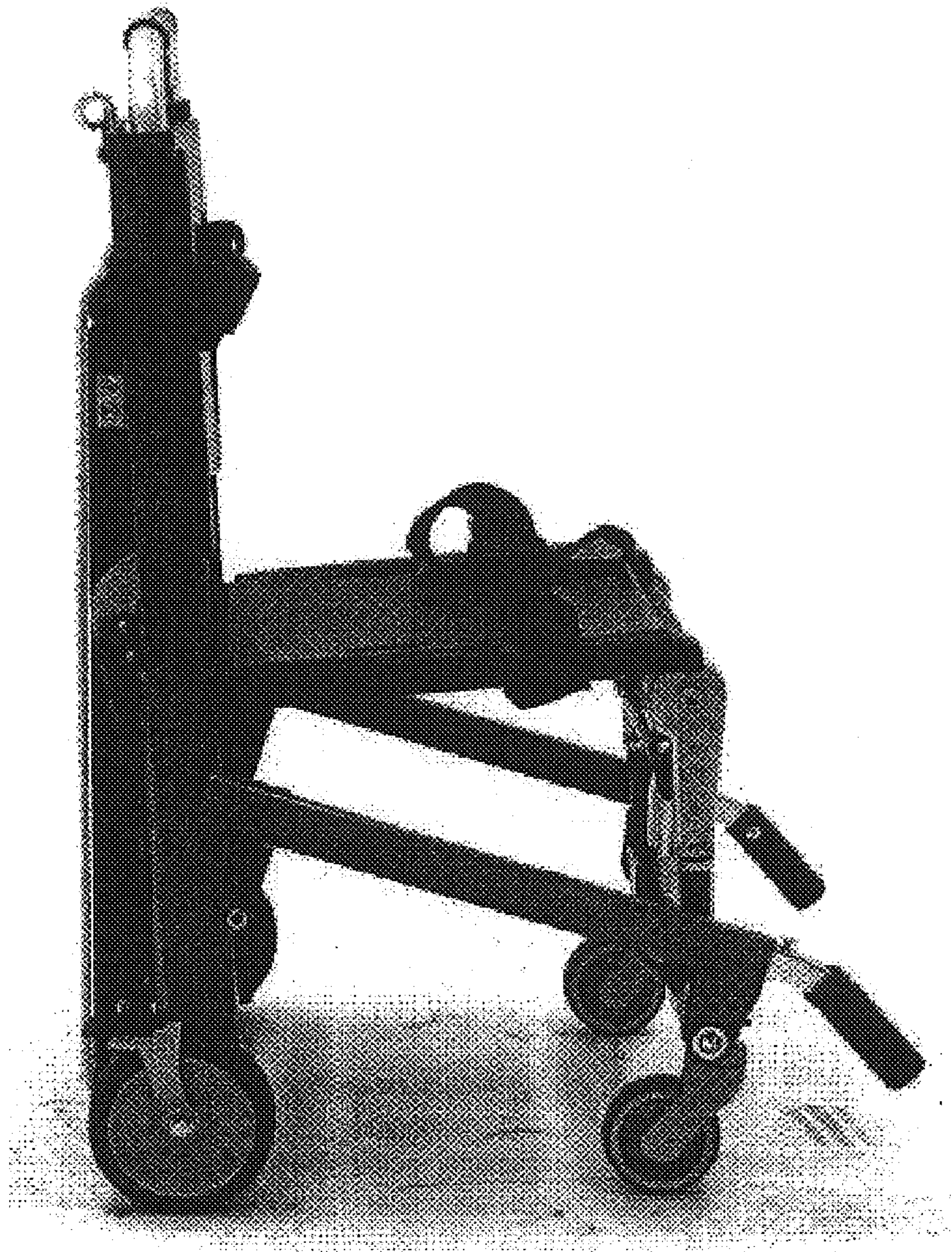
**FIG. 9**

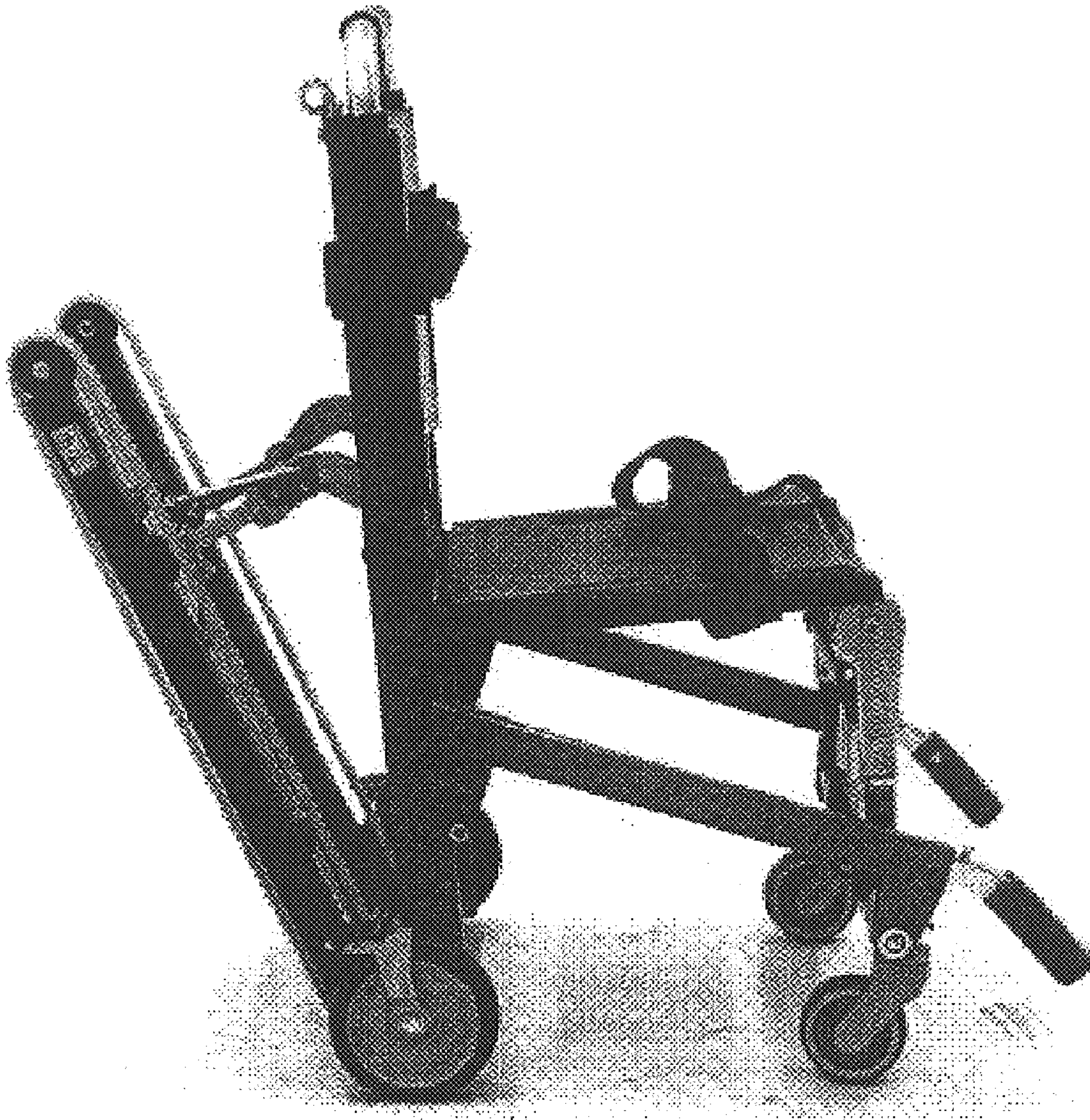


**FIG. 10**

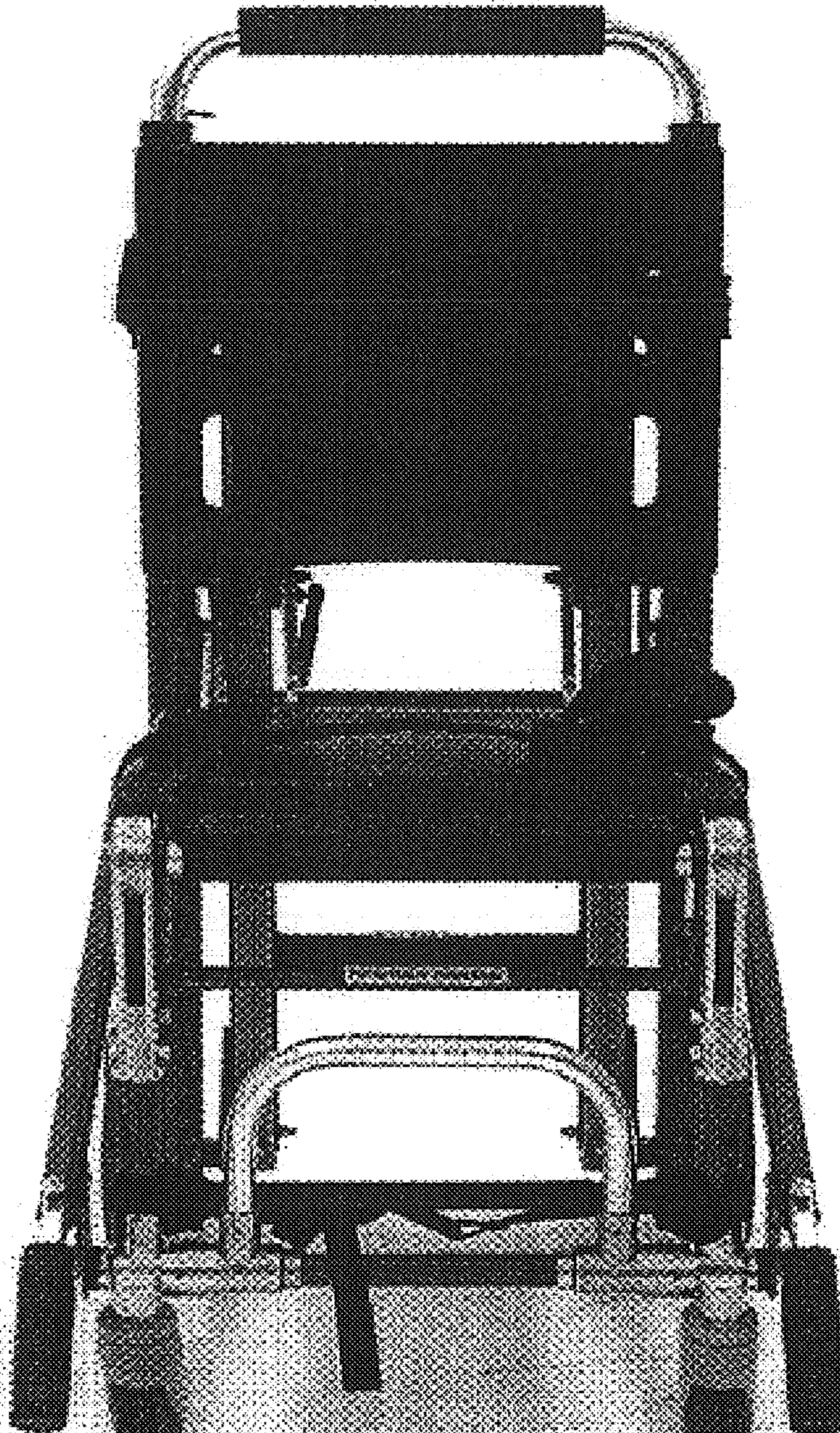


**FIG. 11**



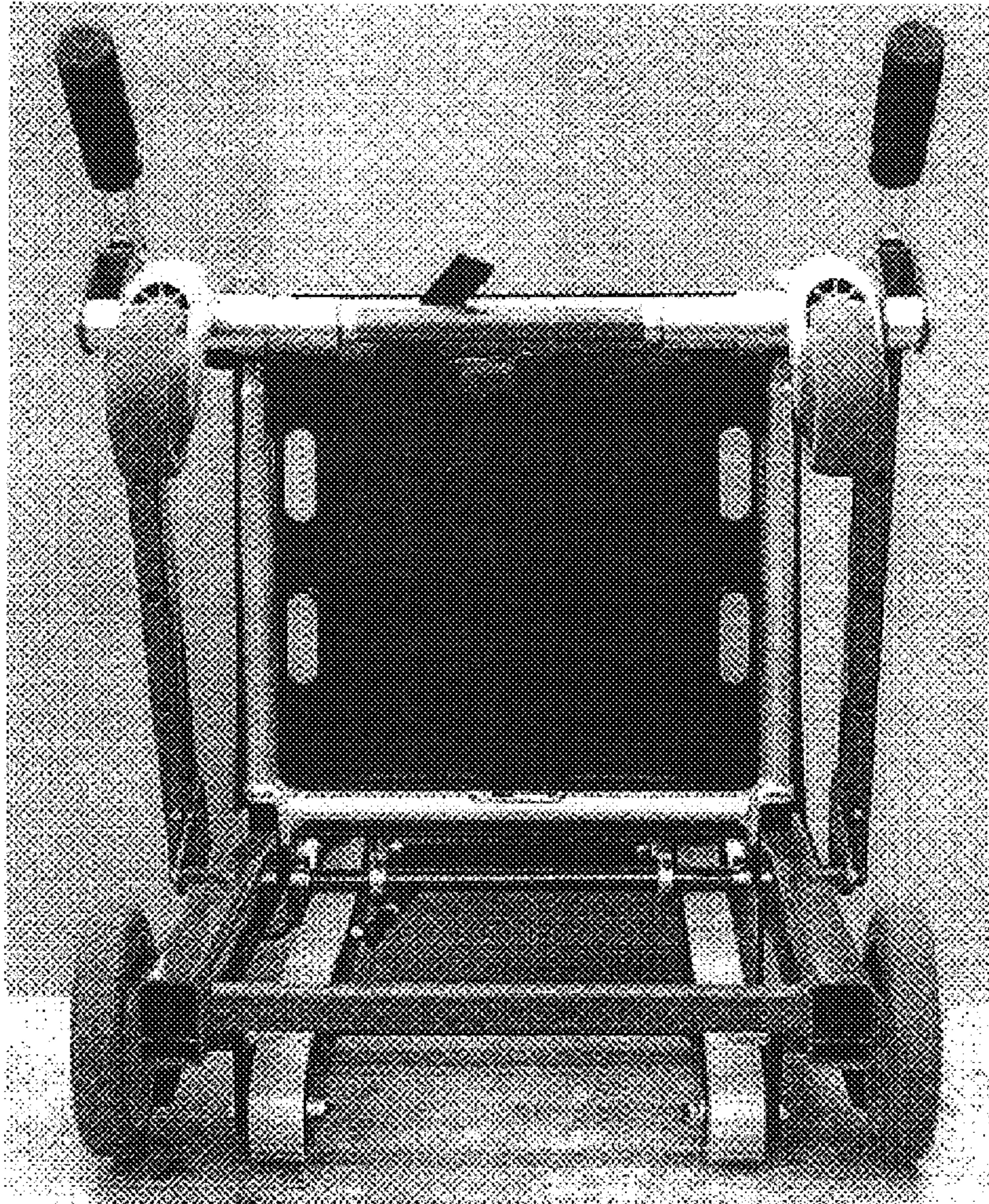


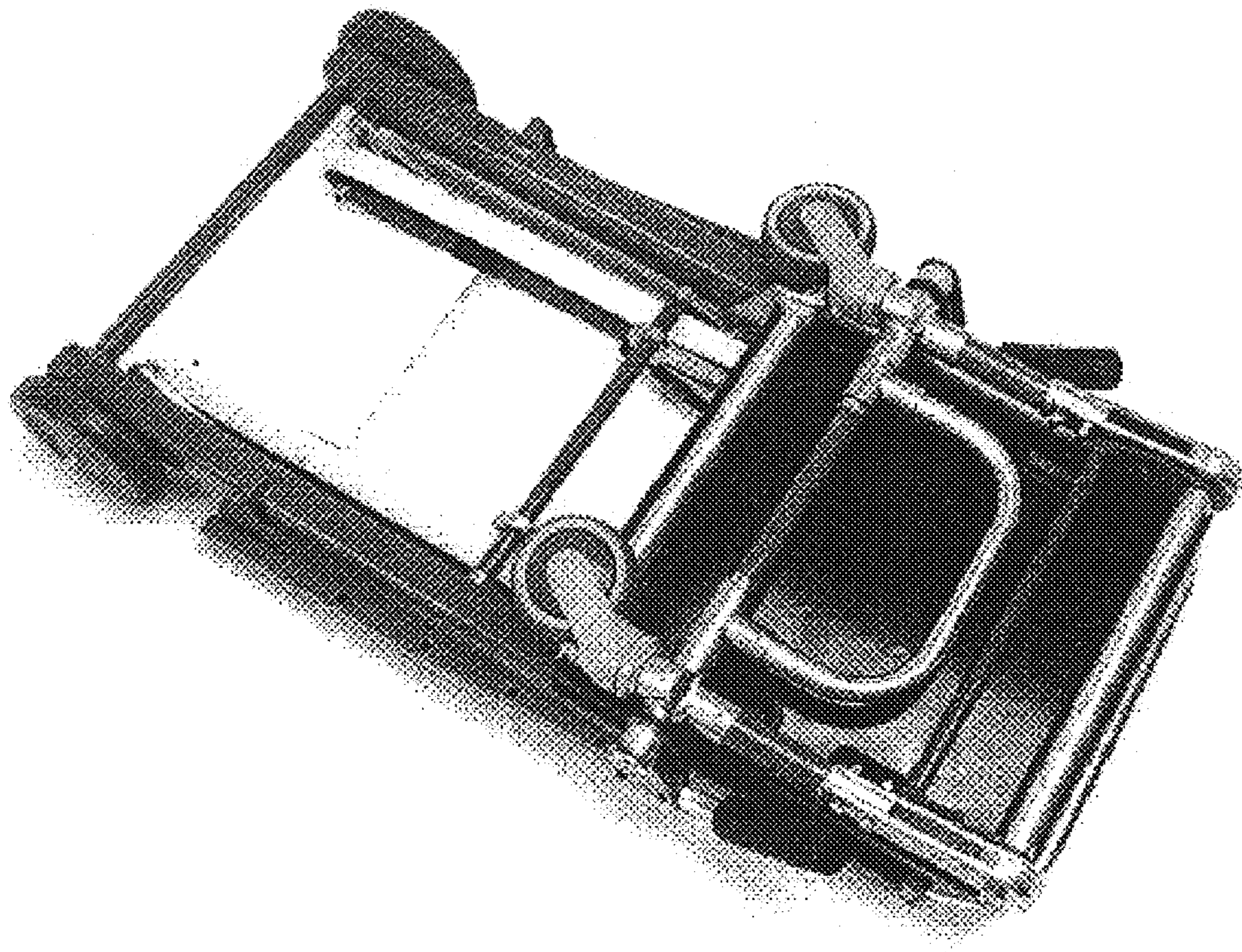
**FIG. 12**



**FIG. 13**

**FIG. 14**





**FIG. 15**