



US00D519056S

(12) **United States Design Patent**  
**Yoshiguchi**

(10) **Patent No.:** **US D519,056 S**

(45) **Date of Patent:** **\*\* Apr. 18, 2006**

(54) **BUCKLE**

D134,936 S \* 2/1943 Huff ..... D11/214  
D476,263 S \* 6/2003 Walters ..... D11/200  
D502,125 S \* 2/2005 Yoshiguchi ..... D11/216

(75) Inventor: **Manabu Yoshiguchi**, Kamakura (JP)

\* cited by examiner

(73) Assignee: **Nifco Inc.**, Yokohama (JP)

*Primary Examiner*—Ralf Seifert

(\*\*) Term: **14 Years**

(74) *Attorney, Agent, or Firm*—Manabu Kanesaka

(21) Appl. No.: **29/222,723**

(57) **CLAIM**

(22) Filed: **Feb. 4, 2005**

The ornamental design for a buckle, as shown and described.

(30) **Foreign Application Priority Data**

**DESCRIPTION**

Aug. 6, 2004 (JP) ..... 2004-023735

(51) **LOC (8) Cl.** ..... **02-07**

FIG. 1 is a front view of a buckle showing my new design;

(52) **U.S. Cl.** ..... **D11/200; D11/216**

FIG. 2 is a plan view thereof;

(58) **Field of Classification Search** ..... D11/200,

FIG. 3 is a right side view thereof, a left side view being

D11/201, 208–210, 212–218, 220, 230–234,

symmetrical to the right side view;

D11/237, 86–87, 94; 63/15.2, 15; 24/307,

FIG. 4 is a bottom view thereof;

24/625, 616, 200, 196, 171, 169, 112

FIG. 5 is a rear view thereof;

See application file for complete search history.

FIG. 6 is a sectional view taken along line 6—6 in FIG. 1;

(56) **References Cited**

FIG. 7 is a sectional view taken along line 7—7 in FIG. 1;

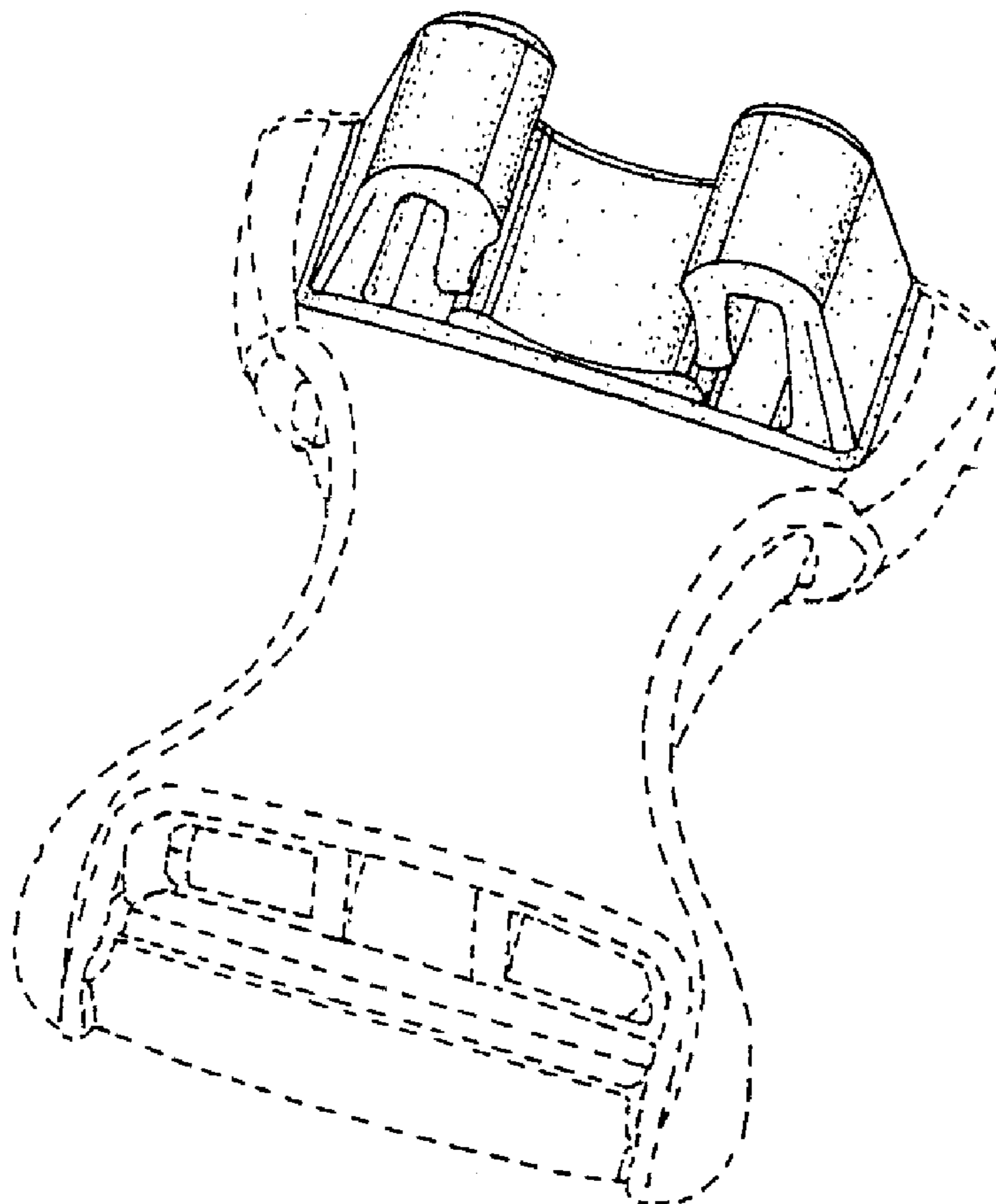
**U.S. PATENT DOCUMENTS**

and,

1,764,175 A \* 6/1930 Kerkhoff ..... 40/618

FIG. 8 is a perspective view thereof.

**1 Claim, 3 Drawing Sheets**



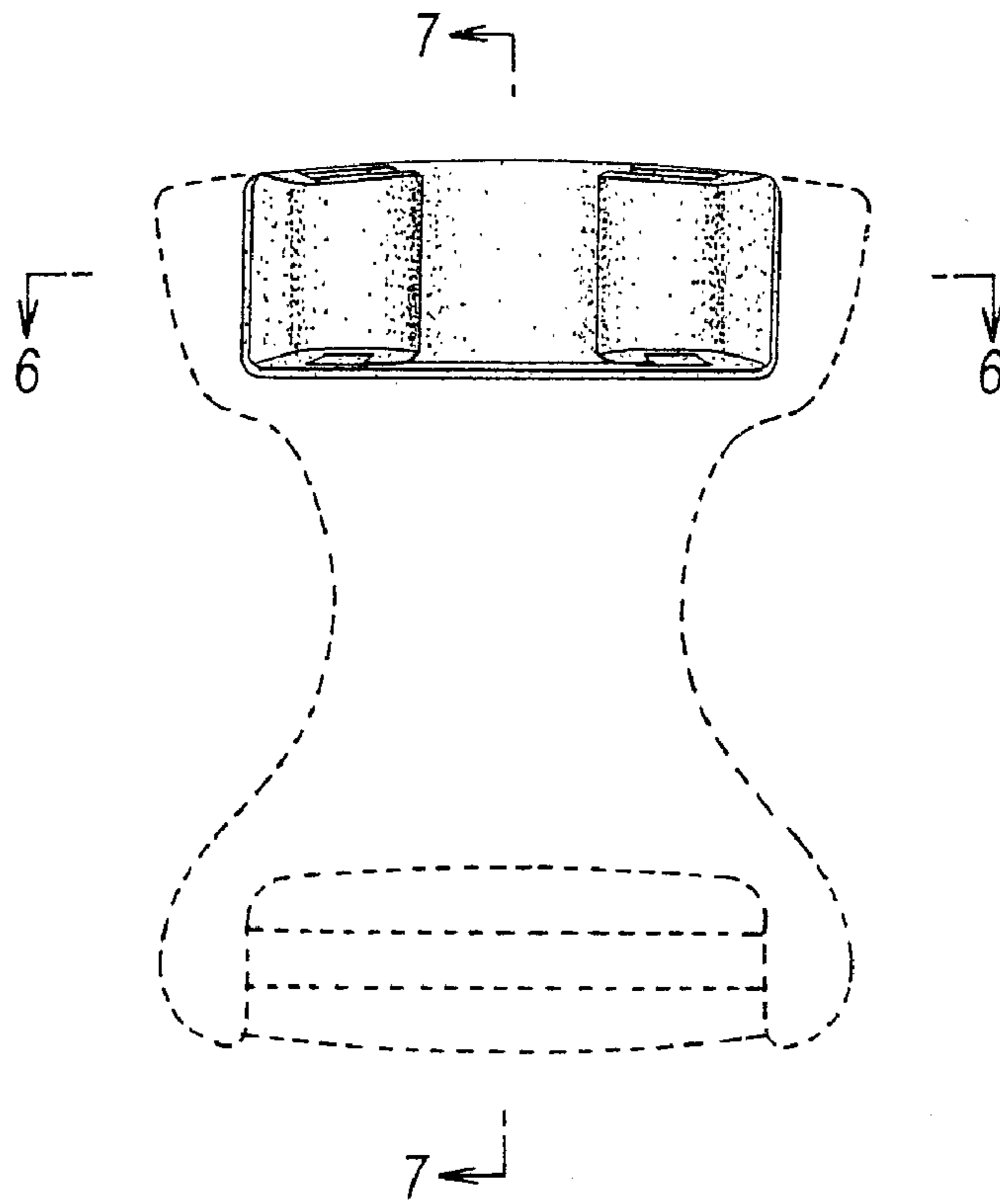


FIG. 1

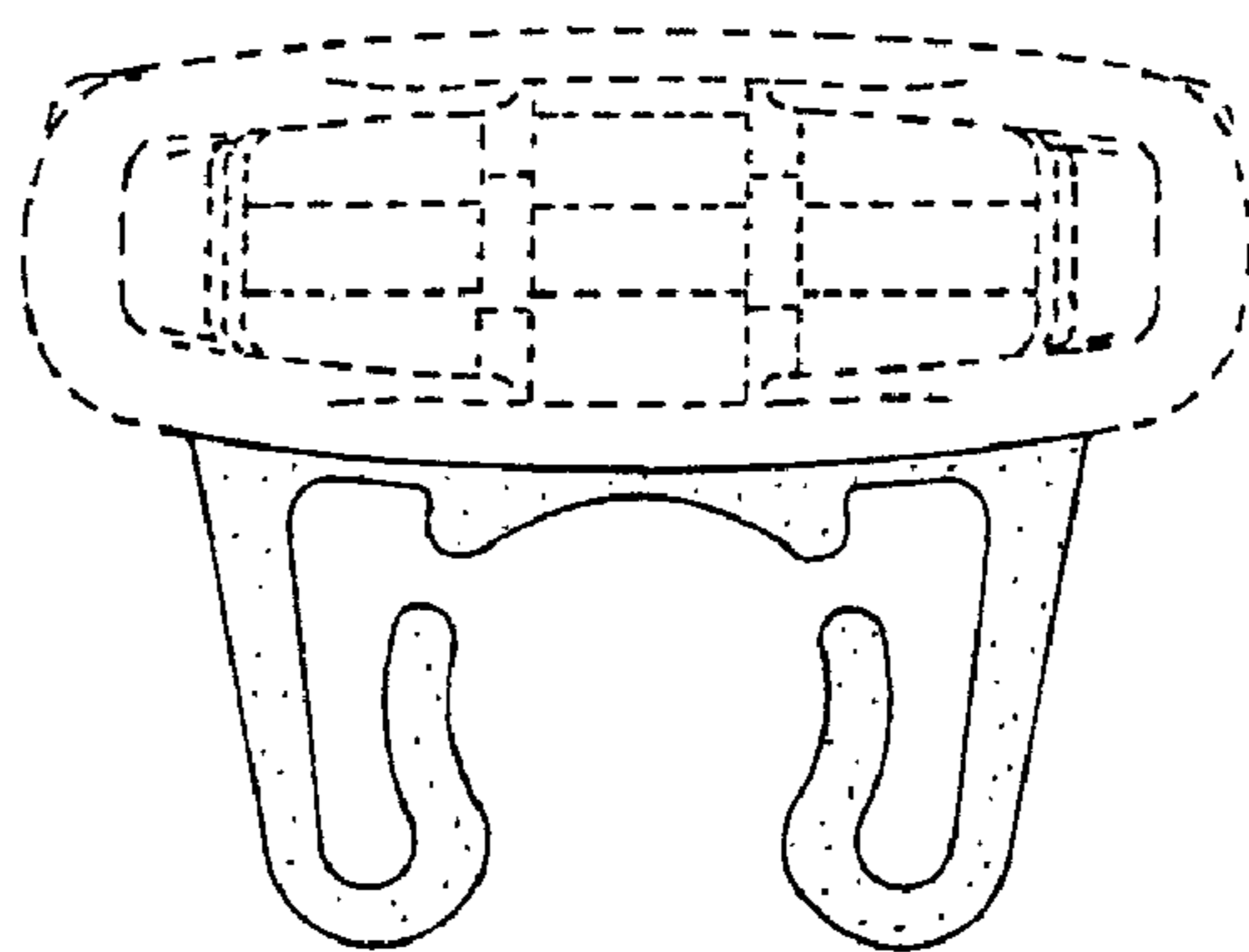


FIG. 2

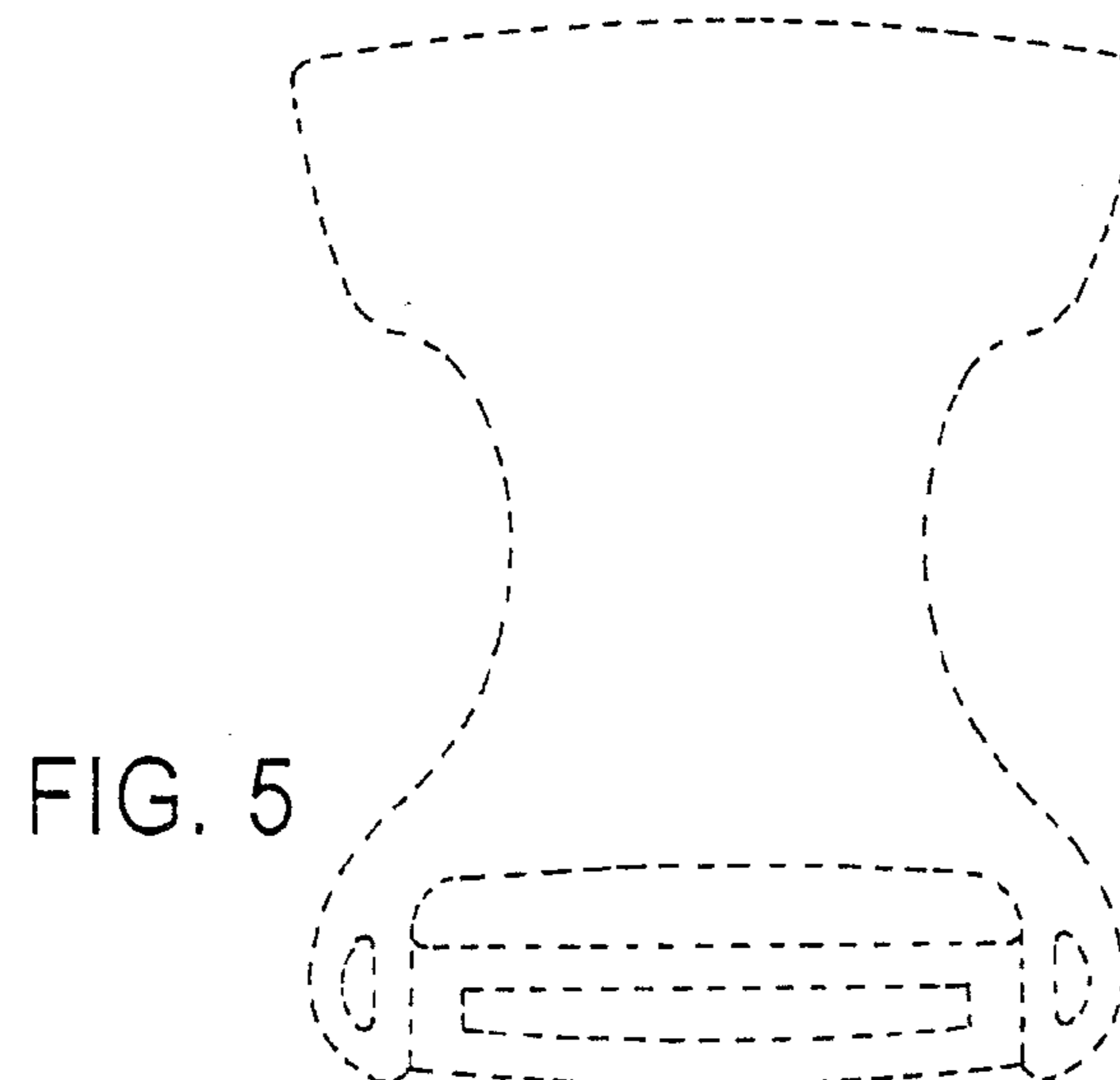
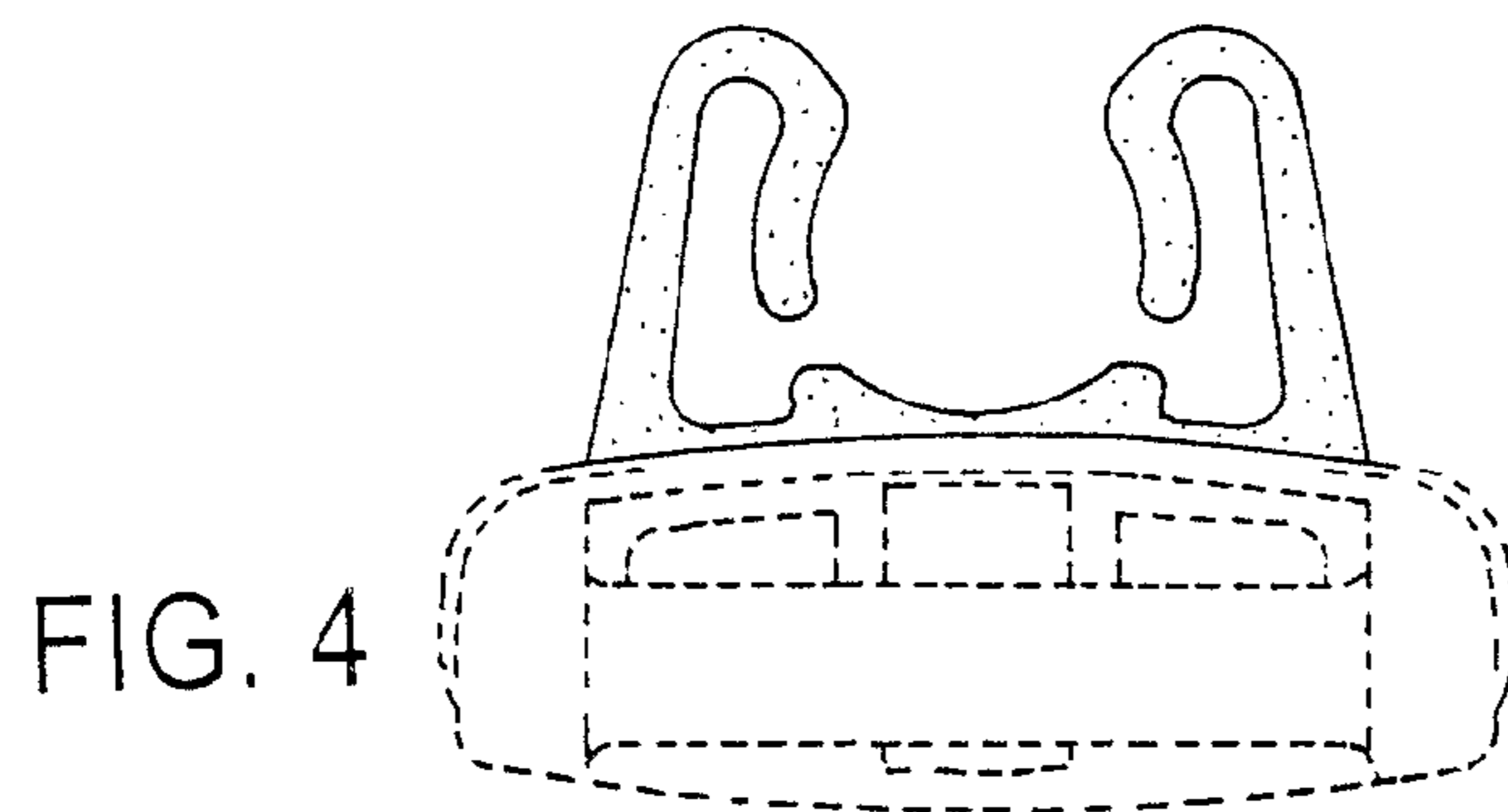
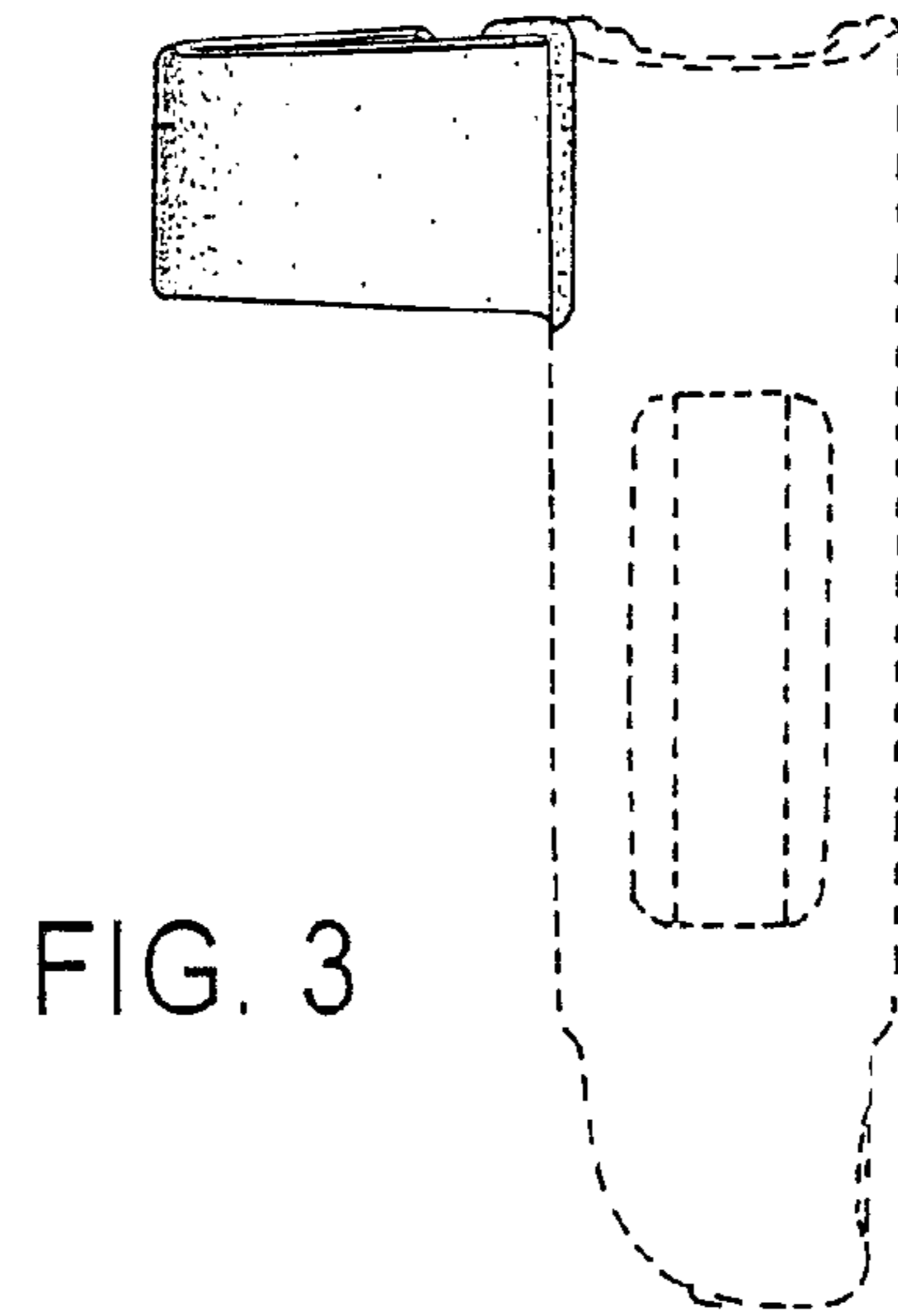


FIG. 6

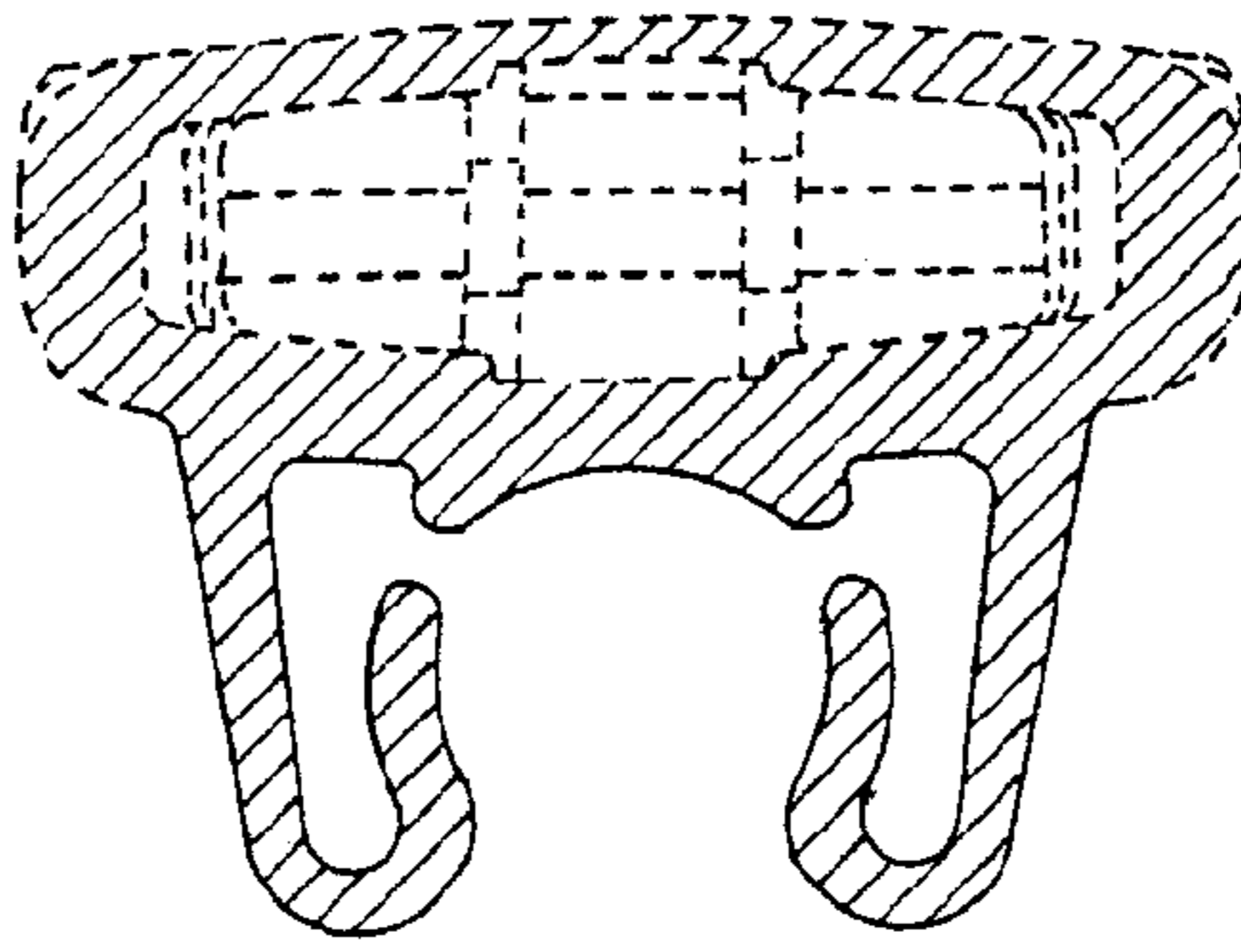


FIG. 7

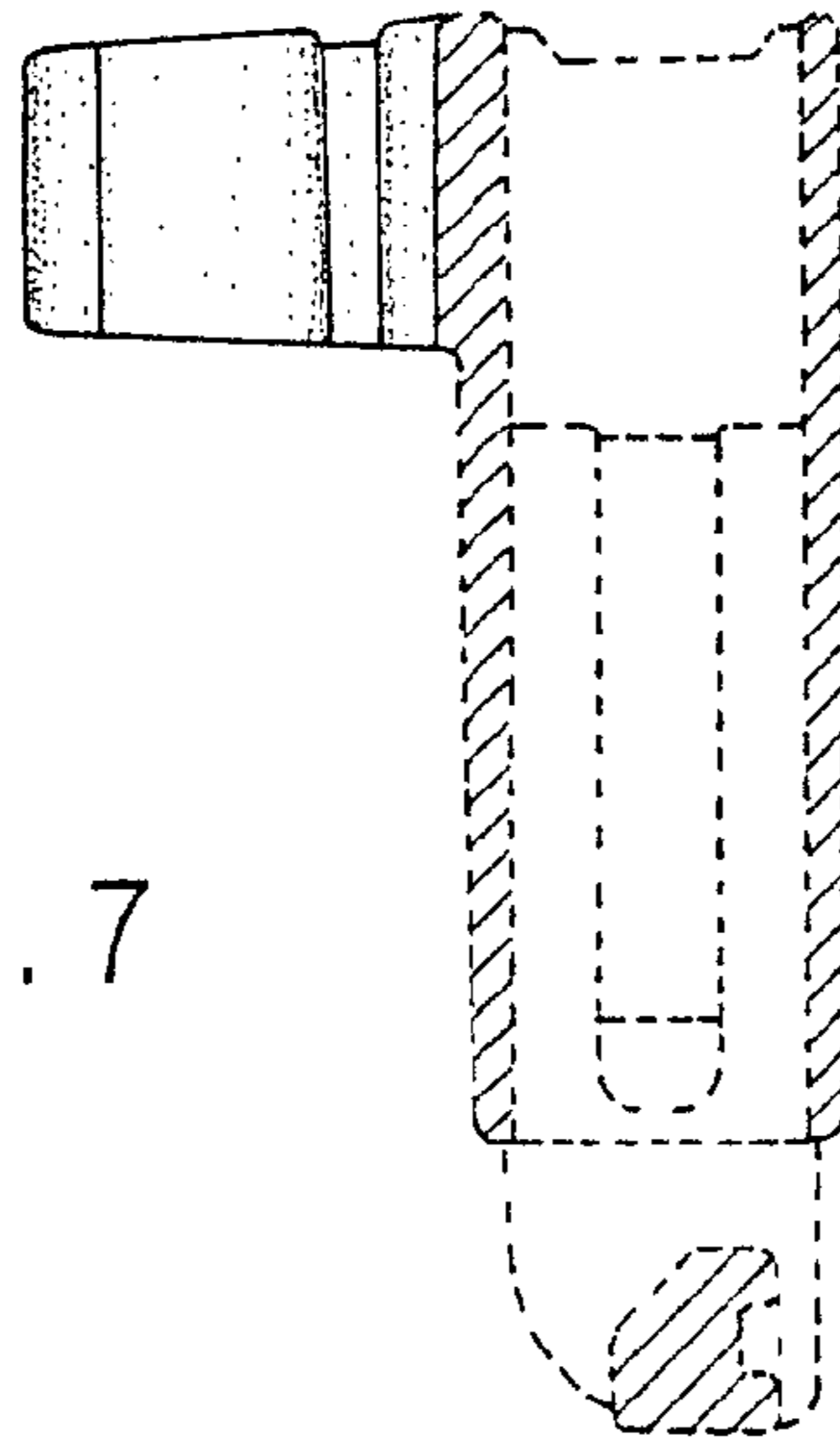


FIG. 8

